

4

3

2

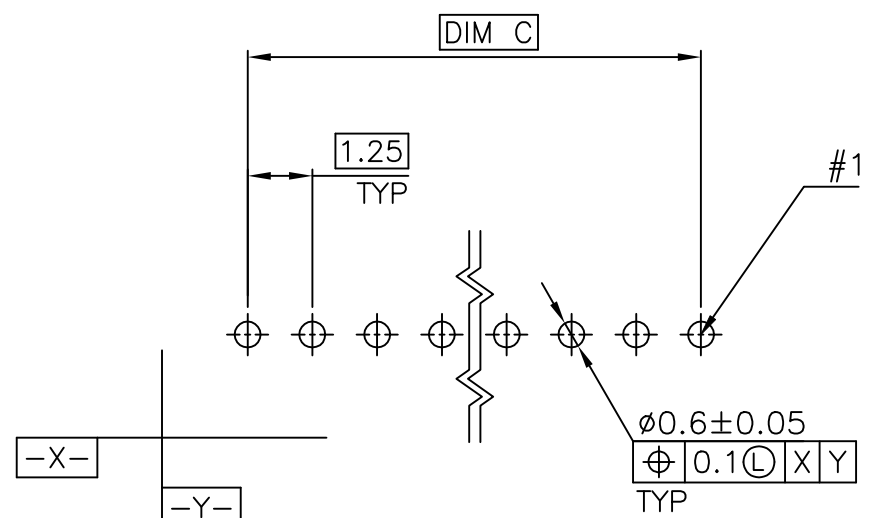
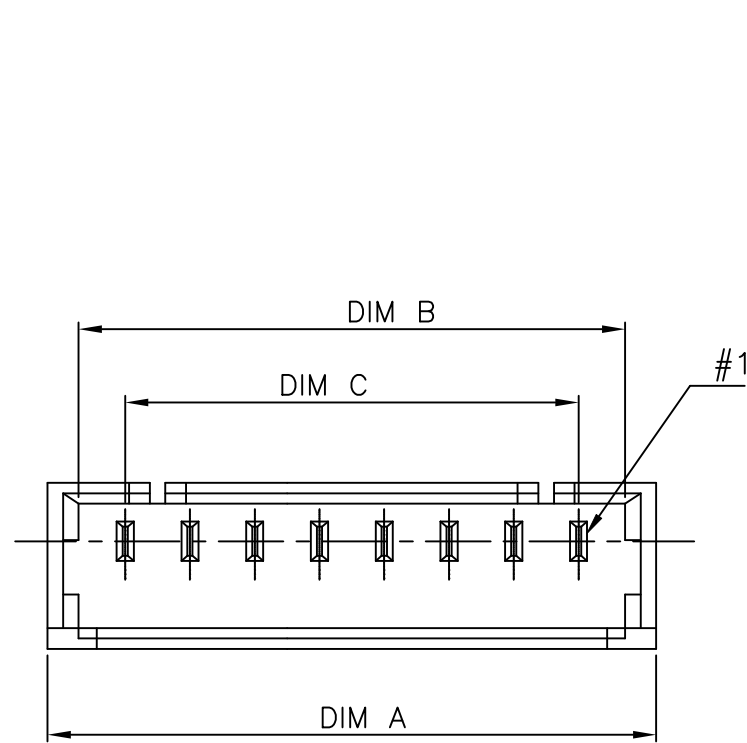
1

THIS DRAWING IS UNPUBLISHED. RELEASED FOR PUBLICATION  
 © COPYRIGHT 2013 BY TE CONNECTIVITY. ALL RIGHTS RESERVED.

| LOC | DIST | REVISIONS |     |               |         |     |      |
|-----|------|-----------|-----|---------------|---------|-----|------|
| DW  | -    | P         | LTR | DESCRIPTION   | DATE    | DWN | APVD |
|     |      | R2        |     | ECR-18-014164 | 29NOV18 | T.Q | W.H  |

D

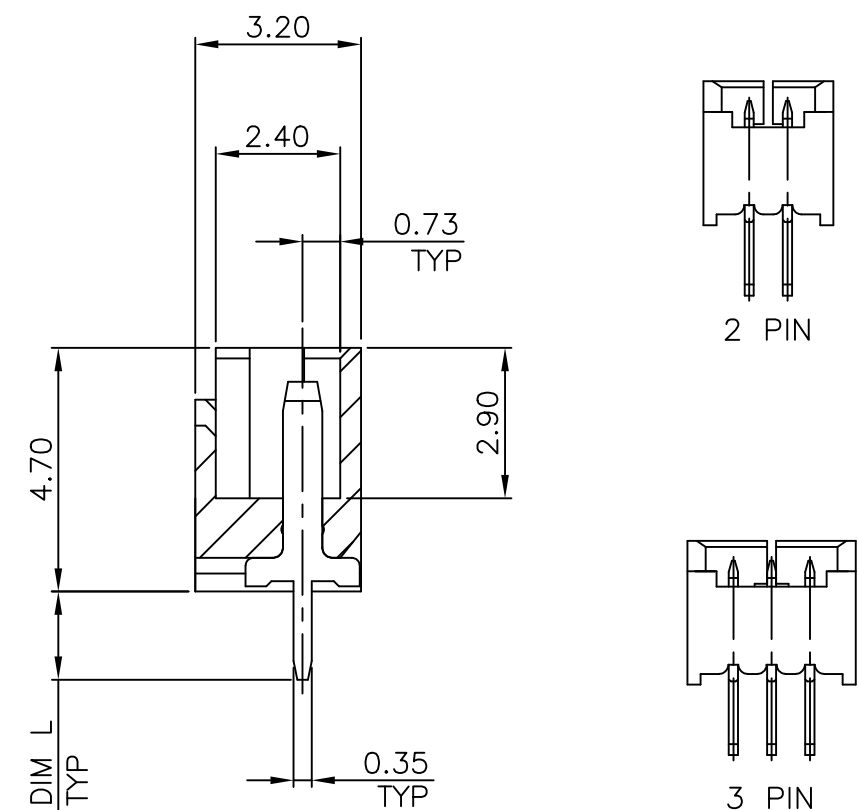
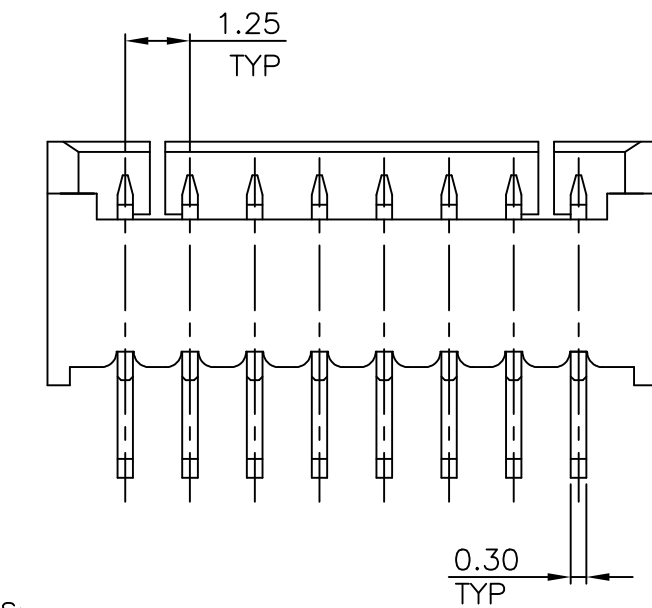
D



RECOMMENDED PCB LAYOUT (TOP VIEW)  
 TOLERANCE: ±0.05, THICKNESS: 1.2MM ~ 1.8MM


C

C


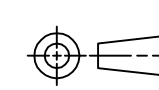


A

| DIM. L | DIM. C | DIM. B | DIM. A | NO. OF CONTACTS | PART NUMBER |
|--------|--------|--------|--------|-----------------|-------------|
| 2.30   | 5.00   | 6.80   | 8.00   | 5               | 6-1734598-0 |
|        | 17.50  | 19.30  | 20.50  | 15              | 5-1734598-5 |
|        | 16.25  | 18.05  | 19.25  | 14              | 5-1734598-4 |
|        | 15.00  | 16.80  | 18.00  | 13              | 5-1734598-3 |
|        | 13.75  | 15.55  | 16.75  | 12              | 5-1734598-2 |
|        | 12.50  | 14.30  | 15.50  | 11              | 5-1734598-1 |
|        | 11.25  | 13.05  | 14.25  | 10              | 5-1734598-0 |
| 3.70   | 10.00  | 11.80  | 13.00  | 9               | 4-1734598-9 |
|        | 8.75   | 10.55  | 11.75  | 8               | 4-1734598-8 |
|        | 7.50   | 9.30   | 10.50  | 7               | 4-1734598-7 |
|        | 6.25   | 8.05   | 9.25   | 6               | 4-1734598-6 |
|        | 5.00   | 6.80   | 8.00   | 5               | 4-1734598-5 |
|        | 3.75   | 5.55   | 6.75   | 4               | 4-1734598-4 |
|        | 2.50   | 4.30   | 5.50   | 3               | 4-1734598-3 |
|        | 1.25   | 3.05   | 4.25   | 2               | 4-1734598-2 |
| 2.30   | 17.50  | 19.30  | 20.50  | 15              | 3-1734598-5 |
|        | 16.25  | 18.05  | 19.25  | 14              | 3-1734598-4 |
|        | 15.00  | 16.80  | 18.00  | 13              | 3-1734598-3 |
|        | 13.75  | 15.55  | 16.75  | 12              | 3-1734598-2 |
|        | 12.50  | 14.30  | 15.50  | 11              | 3-1734598-1 |
|        | 11.25  | 13.05  | 14.25  | 10              | 3-1734598-0 |
|        | 10.00  | 11.80  | 13.00  | 9               | 2-1734598-9 |
|        | 8.75   | 10.55  | 11.75  | 8               | 2-1734598-8 |
|        | 7.50   | 9.30   | 10.50  | 7               | 2-1734598-7 |
|        | 6.25   | 8.05   | 9.25   | 6               | 2-1734598-6 |
|        | 5.00   | 6.80   | 8.00   | 5               | 2-1734598-5 |
|        | 3.75   | 5.55   | 6.75   | 4               | 2-1734598-4 |
|        | 2.50   | 4.30   | 5.50   | 3               | 2-1734598-3 |
|        | 1.25   | 3.05   | 4.25   | 2               | 2-1734598-2 |
| 1.70   | 17.50  | 19.30  | 20.50  | 15              | 1-1734598-5 |
|        | 16.25  | 18.05  | 19.25  | 14              | 1-1734598-4 |
|        | 15.00  | 16.80  | 18.00  | 13              | 1-1734598-3 |
|        | 13.75  | 15.55  | 16.75  | 12              | 1-1734598-2 |
|        | 12.50  | 14.30  | 15.50  | 11              | 1-1734598-1 |
|        | 11.25  | 13.05  | 14.25  | 10              | 1-1734598-0 |
|        | 10.00  | 11.80  | 13.00  | 9               | 1734598-9   |
|        | 8.75   | 10.55  | 11.75  | 8               | 1734598-8   |
|        | 7.50   | 9.30   | 10.50  | 7               | 1734598-7   |
|        | 6.25   | 8.05   | 9.25   | 6               | 1734598-6   |
|        | 5.00   | 6.80   | 8.00   | 5               | 1734598-5   |
|        | 3.75   | 5.55   | 6.75   | 4               | 1734598-4   |
|        | 2.50   | 4.30   | 5.50   | 3               | 1734598-3   |
|        | 1.25   | 3.05   | 4.25   | 2               | 1734598-2   |

- NOTES:
- MATERIAL:  
HOUSING: PA9T W/ 30% GF, UL94 V-0, NATURAL COLOR.  
CONTACTS: PHOSPHOR BRONZE.
  - FINISH:  
CONTACTS: 120μ" MIN. MATTE-TIN OVER 50μ" MIN. NICKEL PLATED.  
 0.762μm [30μ"] MIN. GOLD PLATED ON CONTACT AREA, GOLD FLASH ON SOLDER TAILS, 1.27μm [50μ"] MIN. NICKEL ON ENTIRE CONTACT.
  - NO TE LOGO AND DATE CODE ON THE PRODUCT.

THIS DRAWING IS A CONTROLLED DOCUMENT.

|   |  |                        |   |
|---|--|------------------------|---|
| DIMENSIONS: MM  | TOLERANCES UNLESS OTHERWISE SPECIFIED:   | DWN A. WU 30DEC2005    |  TE Connectivity<br>NAME<br>1.25 MM PITCH WIRE-TO-BOARD CONNECTOR, HEADER, DIP, VERTICAL |
|  | 0 PLC ± -<br>1 PLC ± 0.3<br>2 PLC ± 0.2<br>3 PLC ± -<br>4 PLC ± -<br>ANGLES ± 5° | CHK S. HOU 30DEC2005   |   |
| MATERIAL SEE NOTE   | FINISH SEE NOTE  | APVD W.J. KE 30DEC2005 |   |
|   |  | PRODUCT SPEC 108-57273 |   |
|   |  | APPLICATION SPEC -     | SIZE A3 CAGE CODE 00779 DRAWING NO C=1734598 RESTRICTED TO -  |
|   |  | WEIGHT -               | SCALE - SHEET 1 of 4 REV R2   |

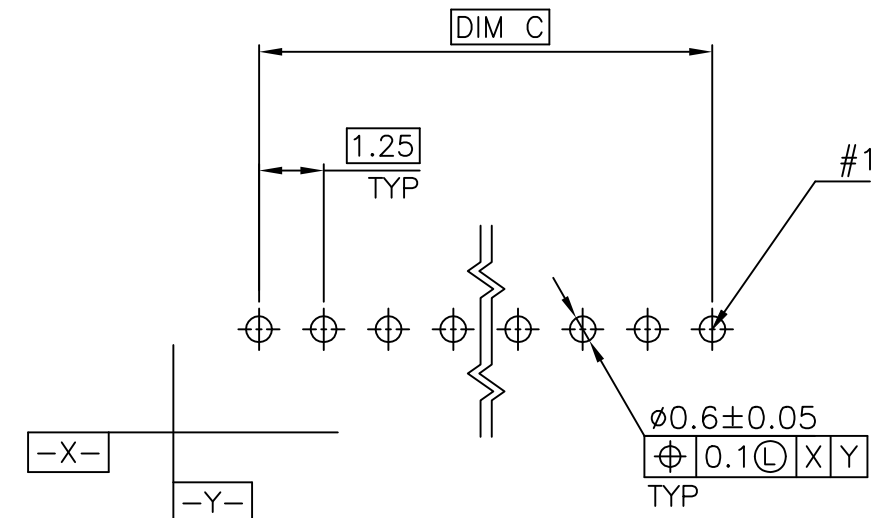
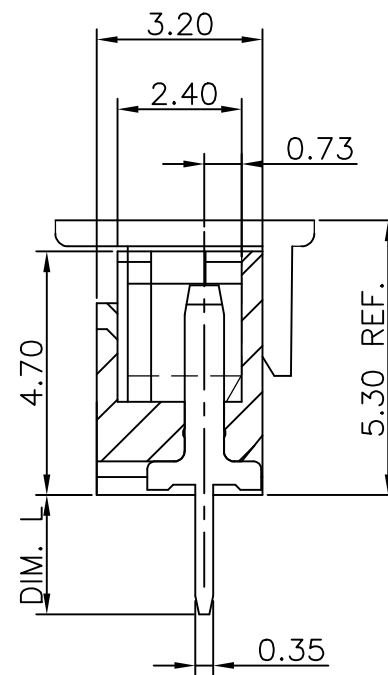
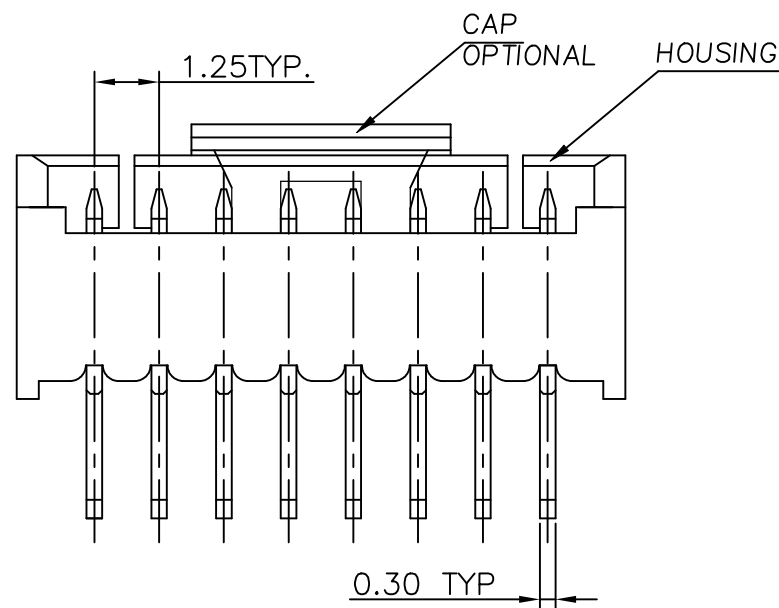
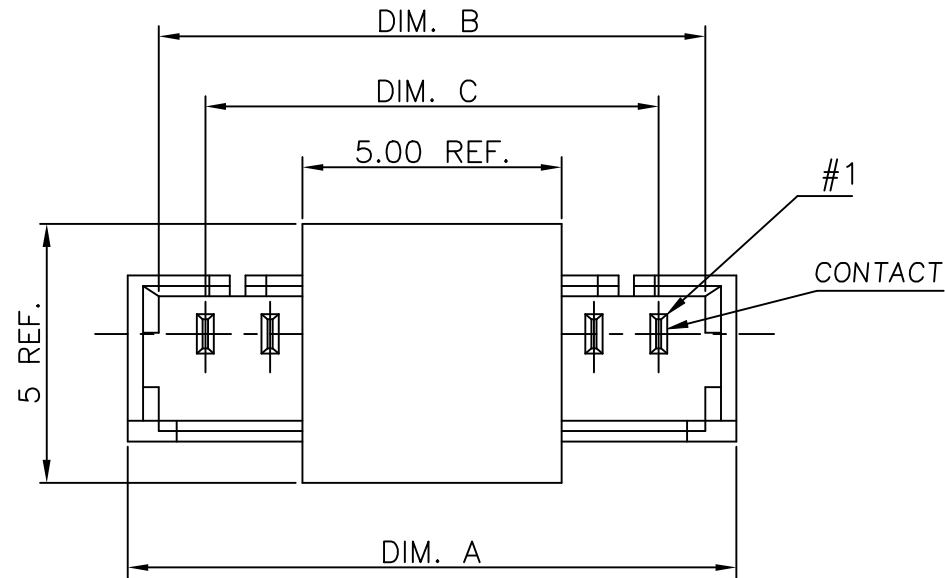
CUSTOMER DRAWING

THIS DRAWING IS UNPUBLISHED. RELEASED FOR PUBLICATION  
 © COPYRIGHT 2013 BY TE CONNECTIVITY. ALL RIGHTS RESERVED.

| LOC | DIST | REVISIONS   |      |     |      |
|-----|------|-------------|------|-----|------|
| P   | LTR  | DESCRIPTION | DATE | DWN | APVD |
| DW  | -    | SEE SHEET 1 |      |     |      |

NOTE:

- MATERIAL:  
 HOUSING: THERMOPLASTIC (LCP) WITH 30% GF, UL 94V-0, NATURE COLOR.  
 CAP: THERMOPLASTIC (LCP) WITH 30% GF, UL 94V-0, COLOR BLACK  
 CONTACTS: PHOSPHOR BRONZE.
- FINISH:  
 CONTACTS: 3.048μm[120μ"] MIN. MATTE-TIN OVER  
 1.27μm[50μ"]MIN. NICKEL ON ENTIRE CONTACT.
- REFLOW SOLDER CAPABLE TO 260°C PER TE SPEC. TEC-109-201, CONDITION B.
- LOW HALOGEN SPECIFICATION:  
 CHLORINE(Cl): 900ppm MAX.  
 BROMINE(Br): 900ppm MAX.
- NO TE LOGO AND DATE CODE ON THE PRODUCT.
- PACKAGE : TAPE AND REEL TYPE (SEE PAGE 4)



RECOMMENDED PCB LAYOUT (TOP VIEW)  
 TOLERANCE: ±0.05, THICKNESS: 1.6MM

| WITHOUT    | 2.30   | 8.75   | 10.55  | 11.75  | 8               | 6-1734598-2 |
|------------|--------|--------|--------|--------|-----------------|-------------|
| WITH       | 2.30   | 8.75   | 10.55  | 11.75  | 8               | 6-1734598-1 |
| CAP STATUS | DIM. L | DIM. C | DIM. B | DIM. A | NO. OF CONTACTS | PART NUMBER |

|  |  |                  |  |           |            |               |
|--|--|------------------|--|-----------|------------|---------------|
| THIS DRAWING IS A CONTROLLED DOCUMENT. |  | DWN              | TE Connectivity  |           |            |               |
| DIMENSIONS: MM                         |  | CHK              |  |           |            |               |
| TOLERANCES UNLESS OTHERWISE SPECIFIED: |  | APVD             | NAME   |           |            |               |
| 0 PLC ± -                              |  | PRODUCT SPEC     | 1.25 MM PITCH WIRE-TO-BOARD CONNECTOR, HEADER, DIP, VERTICAL |           |            |               |
| 1 PLC ± -                              |  | APPLICATION SPEC | SIZE   | CAGE CODE | DRAWING NO | RESTRICTED TO |
| 2 PLC ± -                              |  | WEIGHT           | A3   | 00779     | C=1734598  | -             |
| 3 PLC ± -                              |  | CUSTOMER DRAWING | SCALE  | SHEET     | REV        |               |
| 4 PLC ± -                              |  |                  | -  | 2 of 4    | R2         |               |
| ANGLES ± -                             |  |                  |  |           |            |               |
| MATERIAL                               |  |                  |  |           |            |               |
| FINISH                                 |  |                  |  |           |            |               |

THIS DRAWING IS UNPUBLISHED.

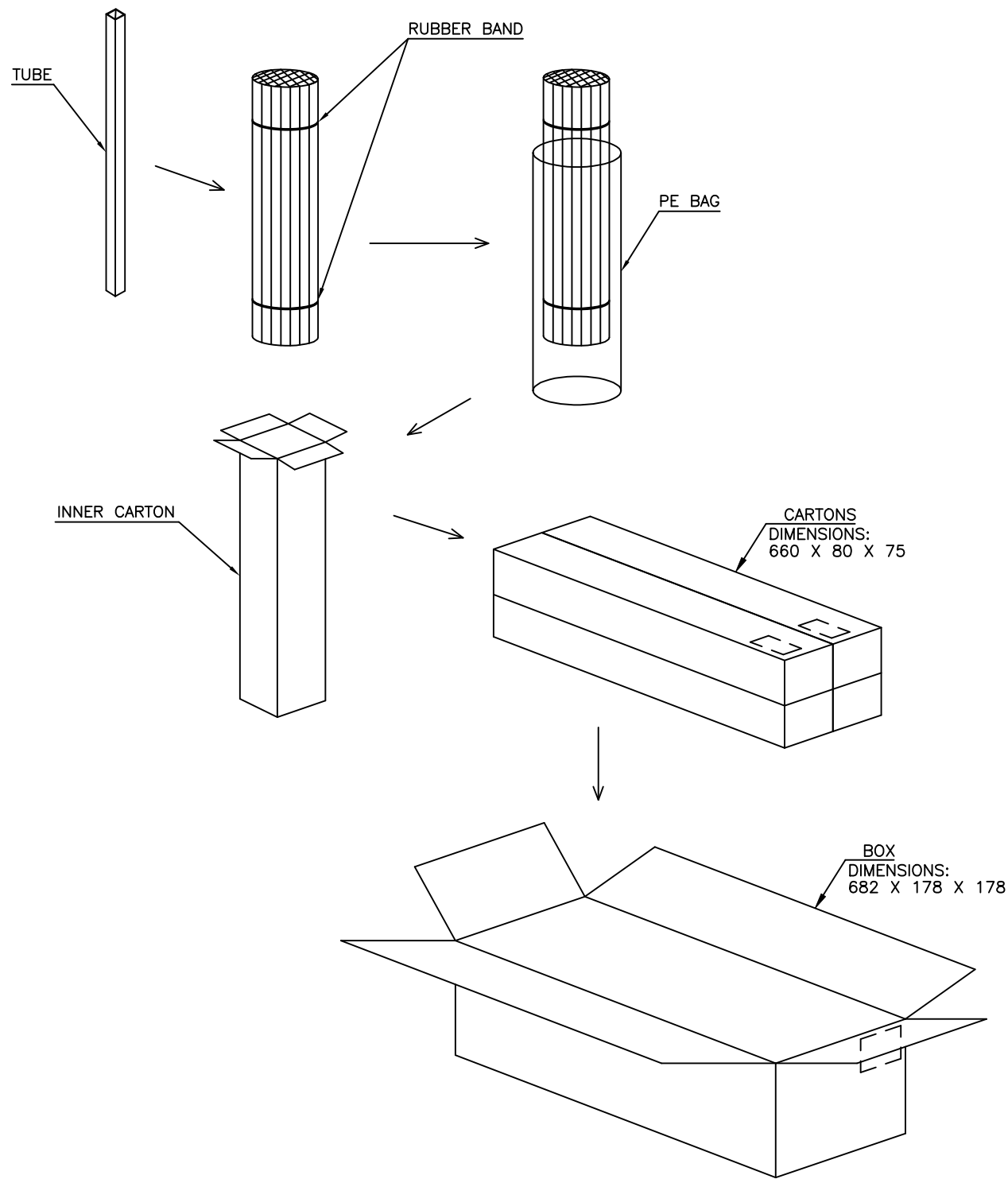
RELEASED FOR PUBLICATION

---

© COPYRIGHT 2013 BY TE CONNECTIVITY.

ALL RIGHTS RESERVED.

| LOC | DIST | REVISIONS |     |             |      |     |      |
|-----|------|-----------|-----|-------------|------|-----|------|
| DW  | -    | P         | LTR | DESCRIPTION | DATE | DWN | APVD |
|     |      |           |     | SEE SHEET 1 |      |     |      |



NOTE:

- 1. PN 6-1734598-1
- 6-1734598-2 SEE NEXT PAGE

| 200       | 6000     | 30       | 5.948    | 2.178    | 15              |
|-----------|----------|----------|----------|----------|-----------------|
|           | 6400     | 32       | 5.920    | 2.150    | 14              |
|           | 6800     | 34       | 5.919    | 2.148    | 13              |
|           | 7200     | 36       | 5.959    | 2.188    | 12              |
|           | 7800     | 39       | 5.868    | 2.098    | 11              |
|           | 8600     | 43       | 5.972    | 2.201    | 10              |
|           | 9400     | 47       | 5.970    | 2.199    | 9               |
|           | 10400    | 52       | 5.954    | 2.184    | 8               |
|           | 11600    | 58       | 5.974    | 2.204    | 7               |
|           | 13200    | 66       | 5.850    | 2.112    | 6               |
|           | 15200    | 76       | 5.929    | 2.158    | 5               |
|           | 18000    | 90       | 5.930    | 2.160    | 4               |
| 22000     | 110      | 5.950    | 2.178    | 3        |                 |
| 28200     | 141      | 5.915    | 2.143    | 2        |                 |
| TUBES/BOX | QUANTITY | PCS/TUBE | G/W (KG) | N/W (KG) | NO. OF CONTACTS |

|  |  |                  |  |           |            |
|--|--|------------------|--|-----------|------------|
| THIS DRAWING IS A CONTROLLED DOCUMENT. |  | DWN              | TE Connectivity  |           |            |
| DIMENSIONS: MM                         |  | CHK              | NAME   |           |            |
| TOLERANCES UNLESS OTHERWISE SPECIFIED: |  | APVD             | 1.25 MM PITCH WIRE-TO-BOARD CONNECTOR, HEADER, DIP, VERTICAL |           |            |
| 0 PLC ± -                              |  | PRODUCT SPEC     | SIZE   | CAGE CODE | DRAWING NO |
| 1 PLC ± -                              |  | APPLICATION SPEC | A3   | 00779     | C=1734598  |
| 2 PLC ± -                              |  | WEIGHT           | RESTRICTED TO  |           |            |
| 3 PLC ± -                              |  | CUSTOMER DRAWING | -  |           |            |
| 4 PLC ± -                              |  | SCALE            | SHEET 3 of 4   |           |            |
| ANGLES ± -                             |  | REV R2           |  |           |            |
| MATERIAL                               |  |                  |  |           |            |
| FINISH                                 |  |                  |  |           |            |

THIS DRAWING IS UNPUBLISHED.

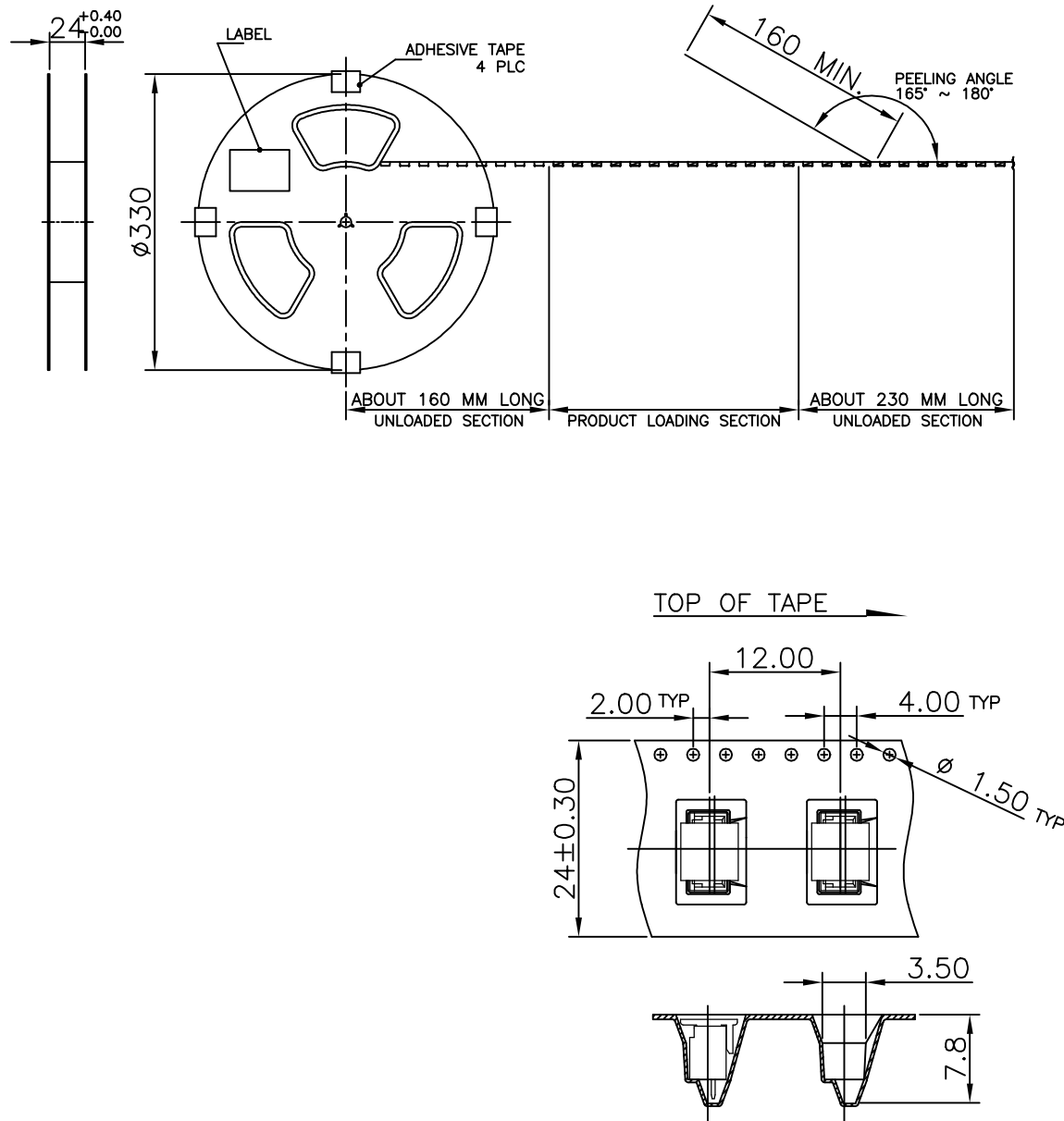
RELEASED FOR PUBLICATION

---

© COPYRIGHT 2013 BY TE CONNECTIVITY.

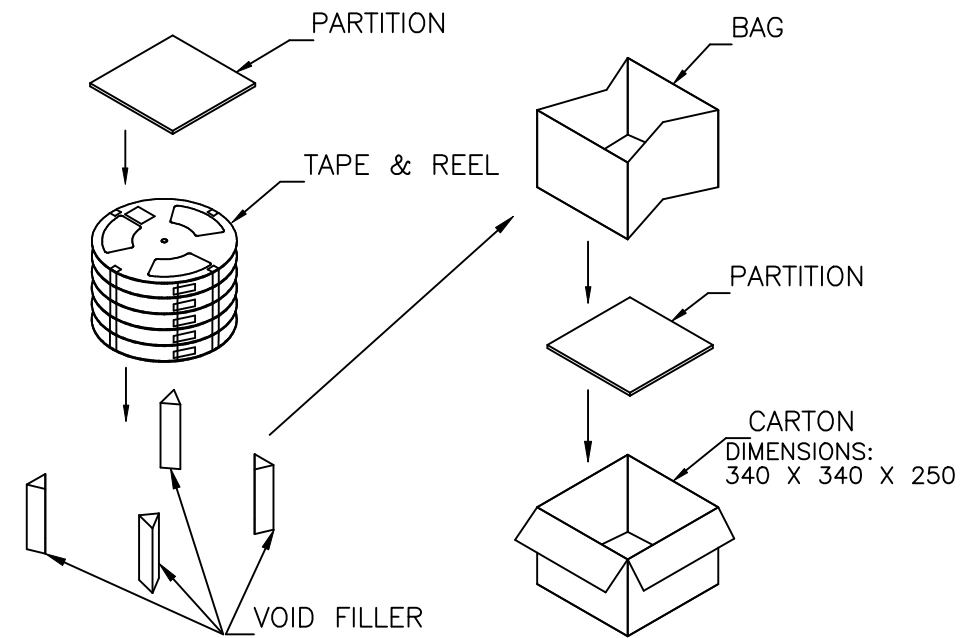
ALL RIGHTS RESERVED.

| LOC | DIST | REVISIONS   |      |     |      |  |
|-----|------|-------------|------|-----|------|--|
| P   | LTR  | DESCRIPTION | DATE | DWN | APVD |  |
| DW  | -    | SEE SHEET 1 |      |     |      |  |



NOTE:

1. PEELING FORCE: 10g ~ 130g.
2. PEELING SPEED: 300mm/min.(REFERENCE)



| 5.44     | 0.61     | 700      | 7         | 4900              | 6-1734598-2 |
|----------|----------|----------|-----------|-------------------|-------------|
| 5.7      | 0.87     | 700      | 7         | 4900              | 6-1734598-1 |
| G/W (Kg) | N/W (Kg) | PCS/TAPE | REELS/BOX | NO. OF CONNECTORS | PART NUMBER |

|   |  |              |  |   |  |
|---|--|--------------|--|---|--|
| THIS DRAWING IS A CONTROLLED DOCUMENT.                                      |  | DWN          |  | <br>TE Connectivity<br>NAME<br>1.25 MM PITCH WIRE-TO-BOARD CONNECTOR, HEADER, DIP, VERTICAL |  |
| DIMENSIONS: MM  |  | CHK          |  |   |  |
| TOLERANCES UNLESS OTHERWISE SPECIFIED:                                      |  | APVD         |  |   |  |
| 0 PLC ± -<br>1 PLC ± -<br>2 PLC ± -<br>3 PLC ± -<br>4 PLC ± -<br>ANGLES ± - |  | PRODUCT SPEC |  |   |  |
| MATERIAL  |  | FINISH       |  | APPLICATION SPEC  |  |
|   |  |              |  | WEIGHT  |  |
|   |  |              |  | CUSTOMER DRAWING  |  |
|   |  |              |  | SCALE   |  |
|   |  |              |  | SHEET 4 of 4  |  |
|   |  |              |  | REV R2  |  |
|   |  |              |  | RESTRICTED TO   |  |
|   |  |              |  | SIZE A3   |  |
|   |  |              |  | CAGE CODE 00779   |  |
|   |  |              |  | DRAWING NO. C-1734598   |  |

## X-ON Electronics

Largest Supplier of Electrical and Electronic Components

*Click to view similar products for [Headers & Wire Housings](#) category:*

*Click to view products by [TE Connectivity](#) manufacturer:*

Other Similar products are found below :

[892-18-020-10-001101](#) [58102-G61-06LF](#) [582553-1](#) [0009485154](#) [009176003701906](#) [0050291907](#) [LY20-4P-DT1-P1E-BR](#) [02.125.8002.8](#)  
[609-3404](#) [61062-3](#) [61082-181009](#) [622-3653LF](#) [63453-116](#) [636-1030](#) [636-1427](#) [636-3427](#) [636-4007](#) [641938-9](#) [641991-4](#) [644827-2](#) [65817-010LF](#) [65817-015LF](#) [65863-015LF](#) [66207-023LF](#) [67095-007LF](#) [67601157](#) [68645-018](#) [68648-049](#) [70.362.1628.0](#) [70-4210](#) [70-4226B](#) [70-4853B](#) [707-5020](#) [707-5028](#) [71.350.2428.0](#) [71918-208LF](#) [71961-016LF](#) [733-134](#) [733-162](#) [754199-000](#) [760-3052](#) [787-8014-00](#) [79531-3000](#)  
[FCN-360C032-B](#) [FCN-367T-T012/H](#) [FCN-723D010/2](#) [80.063.4001.1](#) [800-90-001-10-001000](#) [800-90-010-10-002000](#) [801-43-002-10-013000](#)