

4

3

2

1

THIS DRAWING IS UNPUBLISHED.

RELEASED FOR PUBLICATION

LOC

DIST

REVISIONS

© COPYRIGHT 2013 BY TE CONNECTIVITY. ALL RIGHTS RESERVED.

ALL RIGHTS RESERVED.

DW

P

LTR

DESCRIPTION

DATE

DWN

APVD

R2

ECR-18-014164

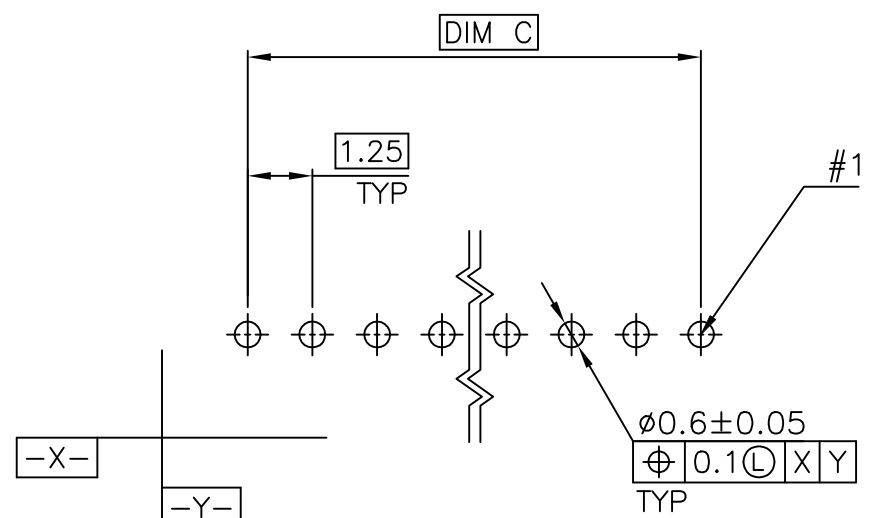
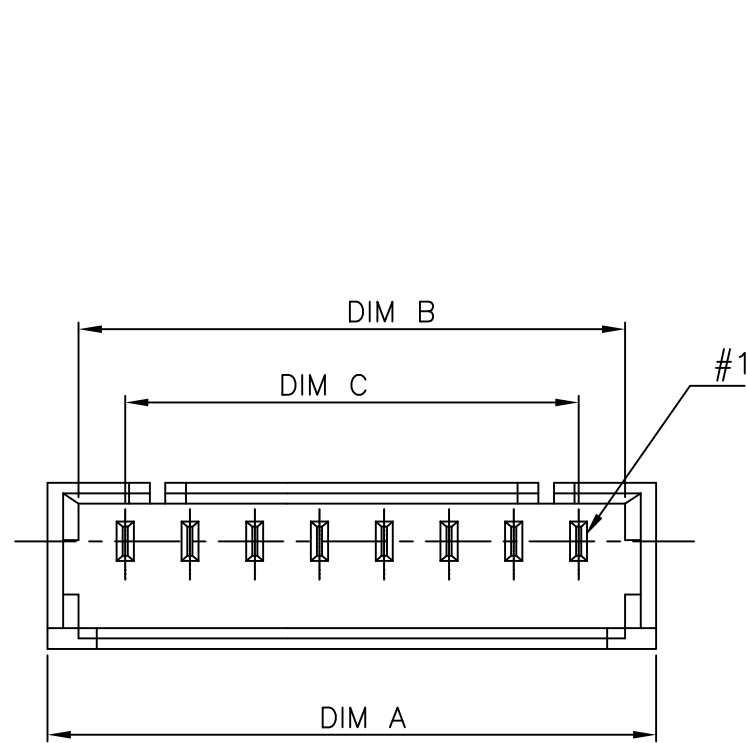
29NOV18

T.Q

W.H

D

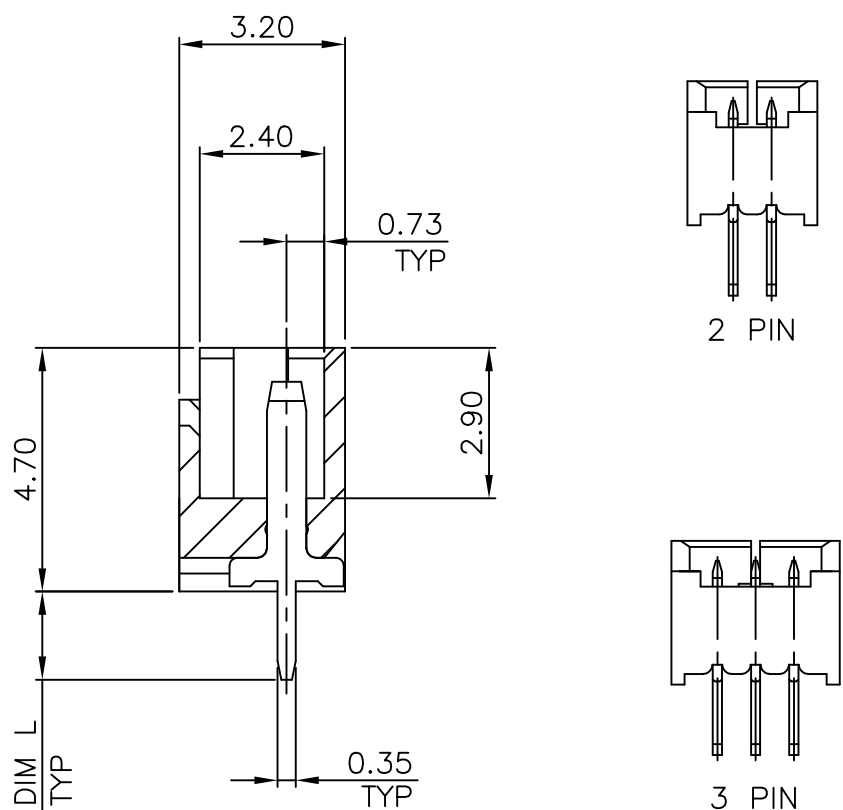
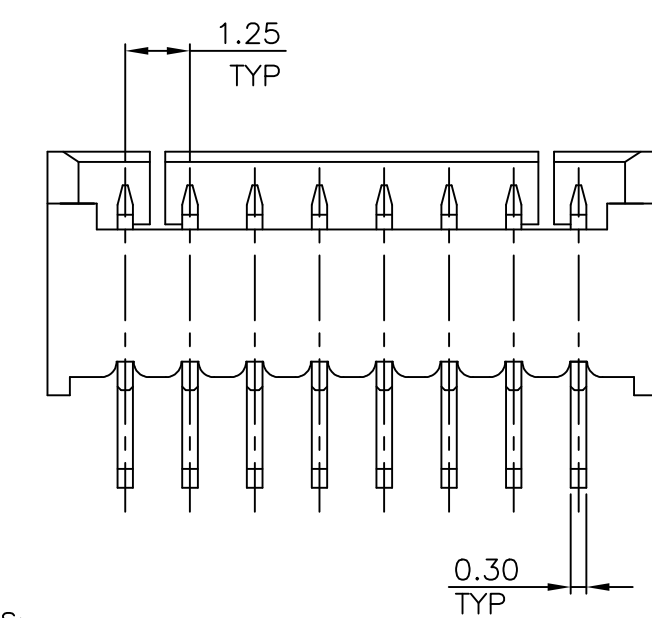
D



RECOMMENDED PCB LAYOUT (TOP VIEW)
TOLERANCE: ±0.05, THICKNESS: 1.2MM ~ 1.8MM

C

C



B

B

A

A

- NOTES:
- MATERIAL:
HOUSING: PA9T W/ 30% GF, UL94 V-0, NATURAL COLOR.
CONTACTS: PHOSPHOR BRONZE.
 - FINISH:
CONTACTS: 120μ" MIN. MATTE-TIN OVER 50μ" MIN. NICKEL PLATED.

A 0.762μm [30μ"] MIN. GOLD PLATED ON CONTACT AREA,
GOLD FLASH ON SOLDER TAILS, 1.27μm [50μ"] MIN. NICKEL ON ENTIRE CONTACT.
 - NO TE LOGO AND DATE CODE ON THE PRODUCT.

DIM. L	DIM. C	DIM. B	DIM. A	NO. OF CONTACTS	PART NUMBER
2.30	5.00	6.80	8.00	5	6-1734598-0
	17.50	19.30	20.50	15	5-1734598-5
	16.25	18.05	19.25	14	5-1734598-4
	15.00	16.80	18.00	13	5-1734598-3
	13.75	15.55	16.75	12	5-1734598-2
	12.50	14.30	15.50	11	5-1734598-1
	11.25	13.05	14.25	10	5-1734598-0
3.70	10.00	11.80	13.00	9	4-1734598-9
	8.75	10.55	11.75	8	4-1734598-8
	7.50	9.30	10.50	7	4-1734598-7
	6.25	8.05	9.25	6	4-1734598-6
	5.00	6.80	8.00	5	4-1734598-5
	3.75	5.55	6.75	4	4-1734598-4
	2.50	4.30	5.50	3	4-1734598-3
	1.25	3.05	4.25	2	4-1734598-2
2.30	17.50	19.30	20.50	15	3-1734598-5
	16.25	18.05	19.25	14	3-1734598-4
	15.00	16.80	18.00	13	3-1734598-3
	13.75	15.55	16.75	12	3-1734598-2
	12.50	14.30	15.50	11	3-1734598-1
	11.25	13.05	14.25	10	3-1734598-0
	10.00	11.80	13.00	9	2-1734598-9
	8.75	10.55	11.75	8	2-1734598-8
	7.50	9.30	10.50	7	2-1734598-7
	6.25	8.05	9.25	6	2-1734598-6
	5.00	6.80	8.00	5	2-1734598-5
	3.75	5.55	6.75	4	2-1734598-4
	2.50	4.30	5.50	3	2-1734598-3
	1.25	3.05	4.25	2	2-1734598-2
1.70	17.50	19.30	20.50	15	1-1734598-5
	16.25	18.05	19.25	14	1-1734598-4
	15.00	16.80	18.00	13	1-1734598-3
	13.75	15.55	16.75	12	1-1734598-2
	12.50	14.30	15.50	11	1-1734598-1
	11.25	13.05	14.25	10	1-1734598-0
	10.00	11.80	13.00	9	1734598-9
	8.75	10.55	11.75	8	1734598-8
	7.50	9.30	10.50	7	1734598-7
	6.25	8.05	9.25	6	1734598-6
	5.00	6.80	8.00	5	1734598-5
	3.75	5.55	6.75	4	1734598-4
	2.50	4.30	5.50	3	1734598-3
	1.25	3.05	4.25	2	1734598-2

THIS DRAWING IS A CONTROLLED DOCUMENT.

DIMENSIONS: MM	TOLERANCES UNLESS OTHERWISE SPECIFIED: 0 PLC ± - 1 PLC ± 0.3 2 PLC ± 0.2 3 PLC ± - 4 PLC ± - ANGLES ± 5°	DWN A. WU 30DEC2005	TE Connectivity 1.25 MM PITCH WIRE-TO-BOARD CONNECTOR, HEADER, DIP, VERTICAL
		CHK S. HOU 30DEC2005	
		APVD W.J. KE 30DEC2005	
		PRODUCT SPEC 108-57273	
MATERIAL SEE NOTE	FINISH SEE NOTE	APPLICATION SPEC -	NAME
		WEIGHT -	SIZE A3
		CUSTOMER DRAWING	CAGE CODE 00779
			DRAWING NO 1734598
			RESTRICTED TO -
			SCALE -
			SHEET 1 of 4
			REV R2

THIS DRAWING IS UNPUBLISHED.

RELEASED FOR PUBLICATION

© COPYRIGHT 2013 BY TE CONNECTIVITY.

ALL RIGHTS RESERVED.

LOC

DIST

REVISIONS

DW

P

LTR

DESCRIPTION

DATE

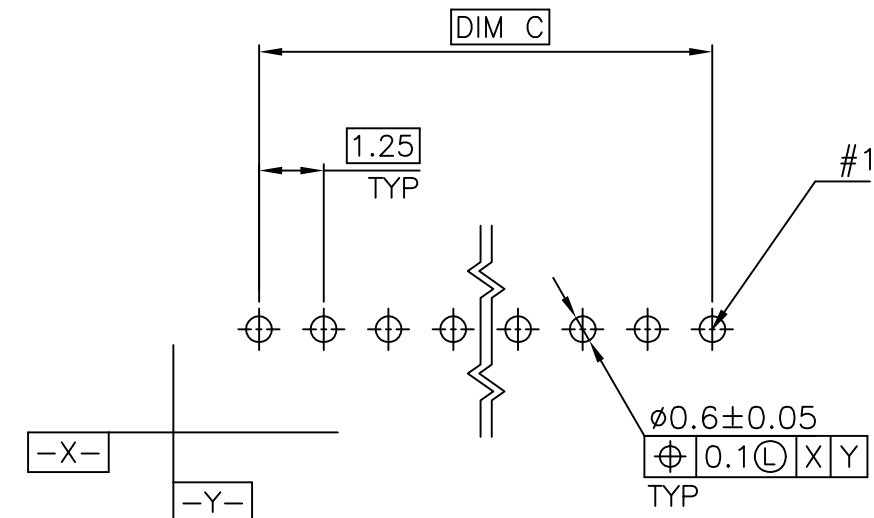
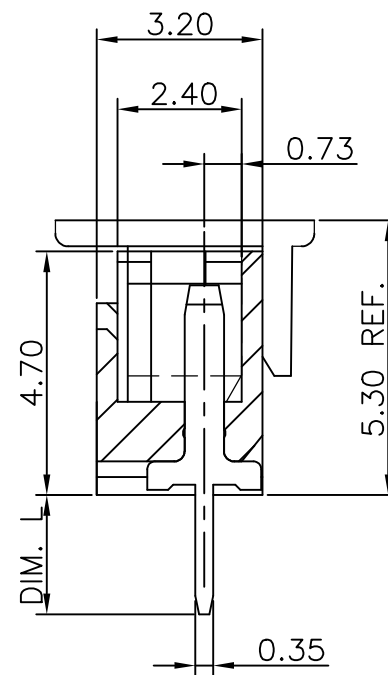
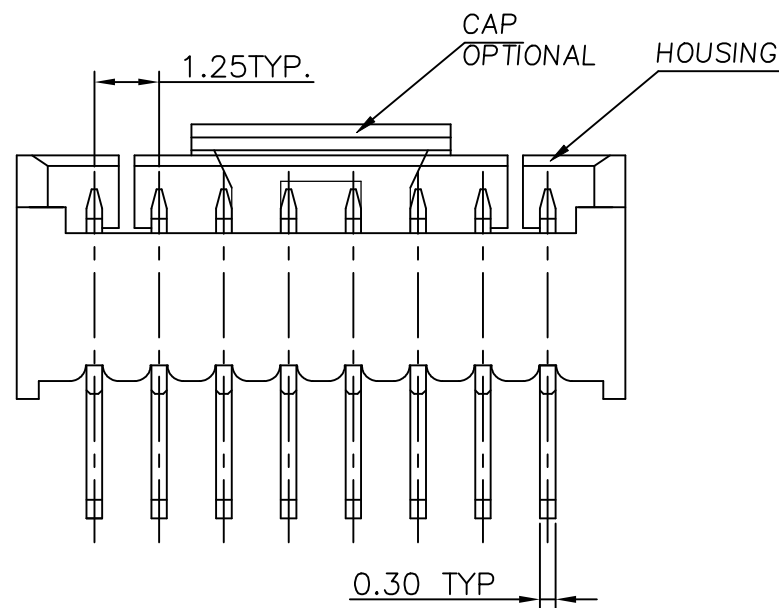
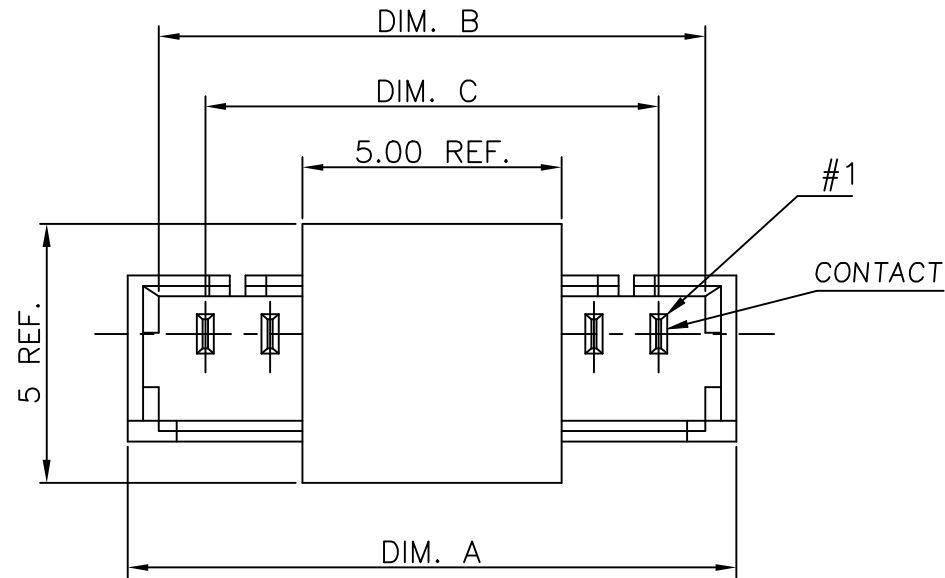
DWN

APVD

SEE SHEET 1

NOTE:

- MATERIAL:
HOUSING: THERMOPLASTIC (LCP) WITH 30% GF, UL 94V-0, NATURE COLOR.
CAP: THERMOPLASTIC (LCP) WITH 30% GF, UL 94V-0, COLOR BLACK
CONTACTS: PHOSPHOR BRONZE.
- FINISH:
CONTACTS: 3.048μm[120μ"] MIN. MATTE-TIN OVER
1.27μm[50μ"]MIN. NICKEL ON ENTIRE CONTACT.
- REFLOW SOLDER CAPABLE TO 260°C PER TE SPEC. TEC-109-201, CONDITION B.
- LOW HALOGEN SPECIFICATION:
CHLORINE(Cl): 900ppm MAX.
BROMINE(Br): 900ppm MAX.
- NO TE LOGO AND DATE CODE ON THE PRODUCT.
- PACKAGE : TAPE AND REEL TYPE (SEE PAGE 4)



RECOMMENDED PCB LAYOUT (TOP VIEW)
TOLERANCE: ±0.05, THICKNESS: 1.6MM

WITHOUT	2.30	8.75	10.55	11.75	8	6-1734598-2
WITH	2.30	8.75	10.55	11.75	8	6-1734598-1
CAP STATUS	DIM. L	DIM. C	DIM. B	DIM. A	NO. OF CONTACTS	PART NUMBER

THIS DRAWING IS A CONTROLLED DOCUMENT.		DWN	TE Connectivity			
DIMENSIONS: MM		CHK				
TOLERANCES UNLESS OTHERWISE SPECIFIED:		APVD	NAME			
0 PLC ± -		PRODUCT SPEC	1.25 MM PITCH WIRE-TO-BOARD CONNECTOR, HEADER, DIP, VERTICAL			
1 PLC ± -		APPLICATION SPEC	SIZE	CAGE CODE	DRAWING NO	RESTRICTED TO
2 PLC ± -		WEIGHT	A3	00779	C=1734598	-
3 PLC ± -		CUSTOMER DRAWING	SCALE	SHEET	REV	
4 PLC ± -			-	2 of 4	R2	
ANGLES ± -						
MATERIAL						
FINISH						

THIS DRAWING IS UNPUBLISHED.

RELEASED FOR PUBLICATION

© COPYRIGHT 2013 BY TE CONNECTIVITY.

ALL RIGHTS RESERVED.

LOC

DIST

REVISIONS

DW

P

LTR

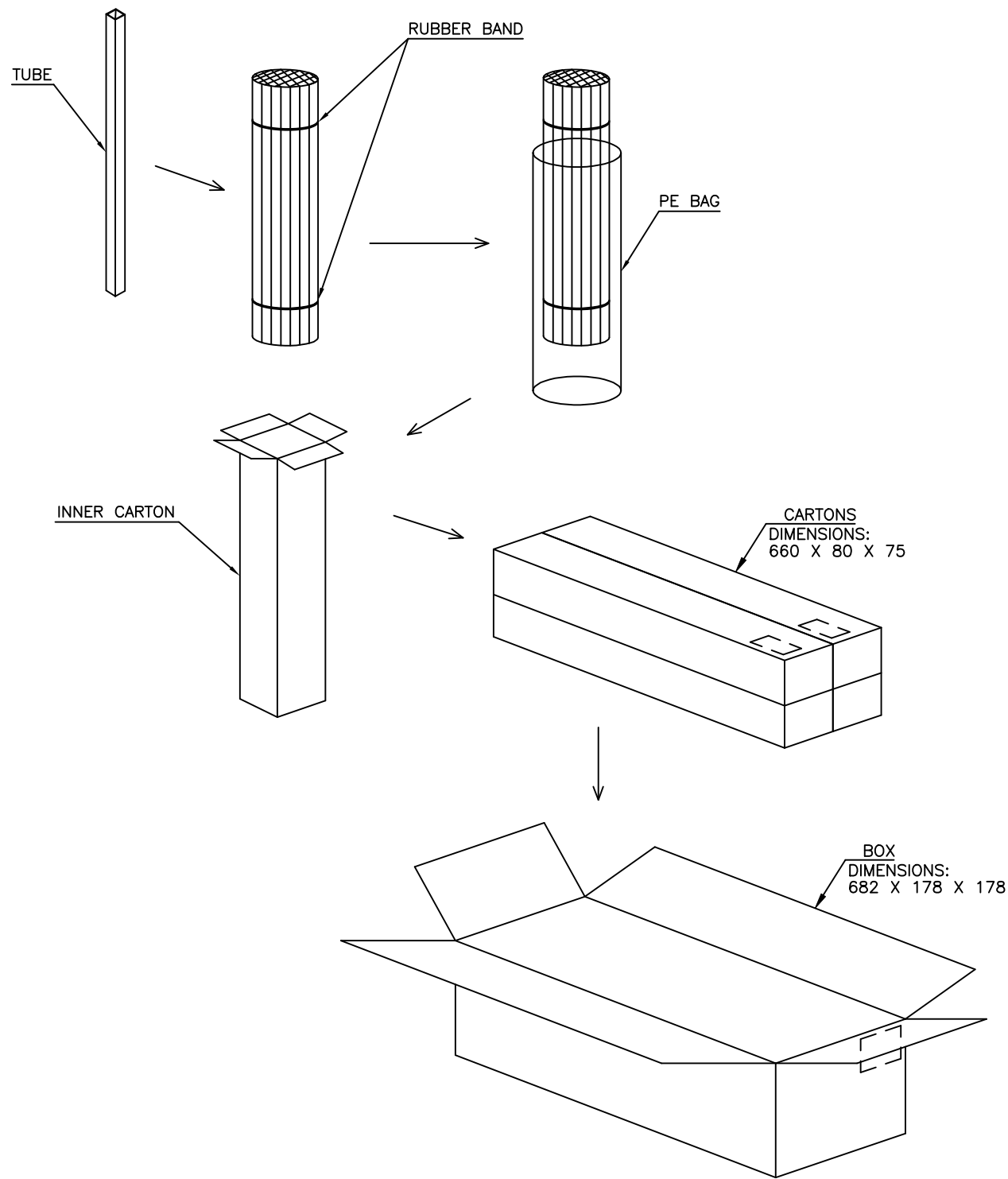
DESCRIPTION

DATE

DWN

APVD

SEE SHEET 1



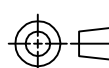
NOTE:

- 1. PN 6-1734598-1
- 6-1734598-2 SEE NEXT PAGE

TUBES/BOX	QUANTITY	PCS/TUBE	G/W (KG)	N/W (KG)	NO. OF CONTACTS
200	6000	30	5.948	2.178	15
200	6400	32	5.920	2.150	14
200	6800	34	5.919	2.148	13
200	7200	36	5.959	2.188	12
200	7800	39	5.868	2.098	11
200	8600	43	5.972	2.201	10
200	9400	47	5.970	2.199	9
200	10400	52	5.954	2.184	8
200	11600	58	5.974	2.204	7
200	13200	66	5.850	2.112	6
200	15200	76	5.929	2.158	5
200	18000	90	5.930	2.160	4
200	22000	110	5.950	2.178	3
200	28200	141	5.915	2.143	2

THIS DRAWING IS A CONTROLLED DOCUMENT.

DIMENSIONS: MM



TOLERANCES UNLESS OTHERWISE SPECIFIED:

- 0 PLC ± -
- 1 PLC ± -
- 2 PLC ± -
- 3 PLC ± -
- 4 PLC ± -
- ANGLES ± -

MATERIAL

FINISH

DWN
CHK
APVD
PRODUCT SPEC
APPLICATION SPEC
WEIGHT
CUSTOMER DRAWING

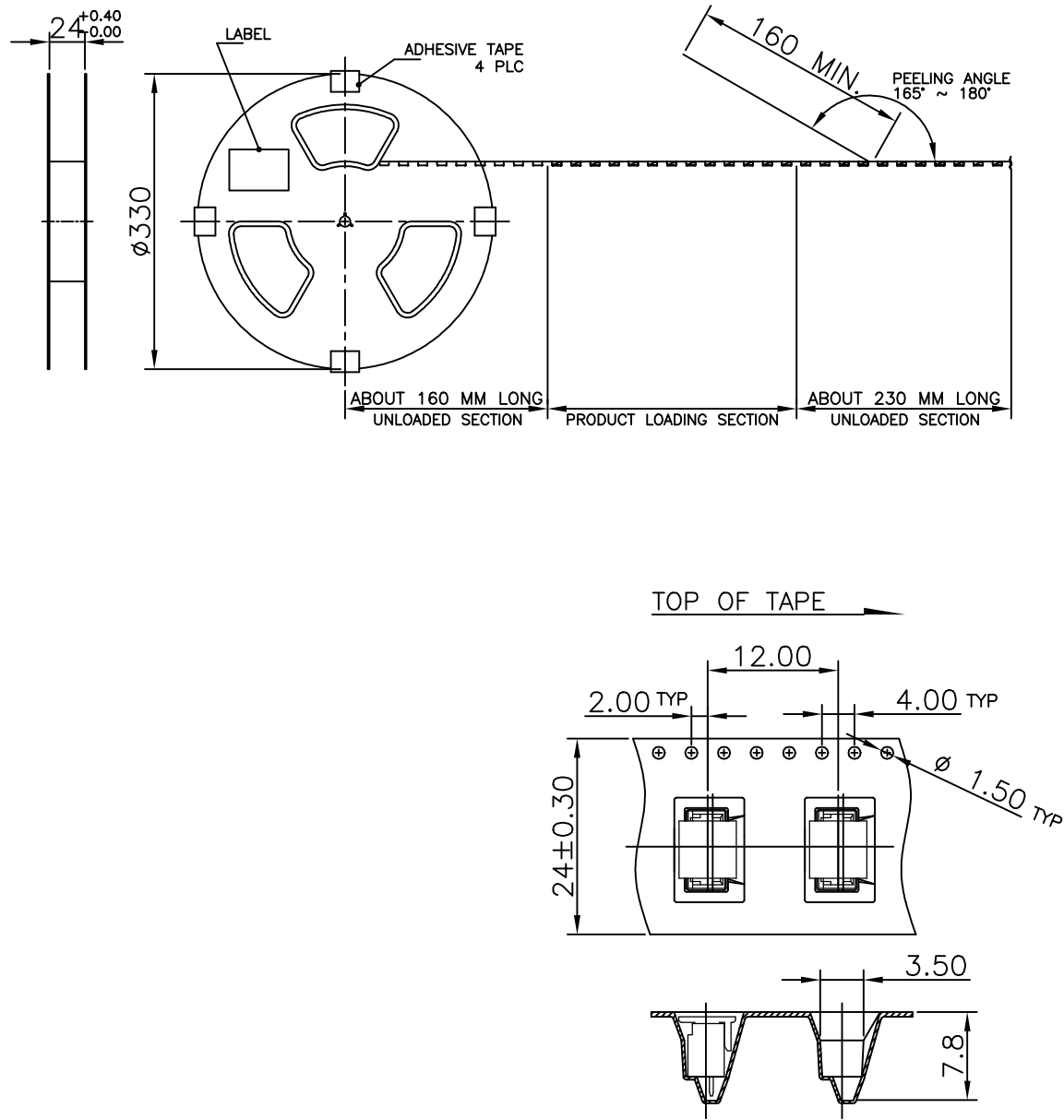


1.25 MM PITCH WIRE-TO-BOARD CONNECTOR, HEADER, DIP, VERTICAL

SIZE: A3 CAGE CODE: 00779 DRAWING NO: 1734598 RESTRICTED TO: -
SCALE: - SHEET: 3 of 4 REV: R2

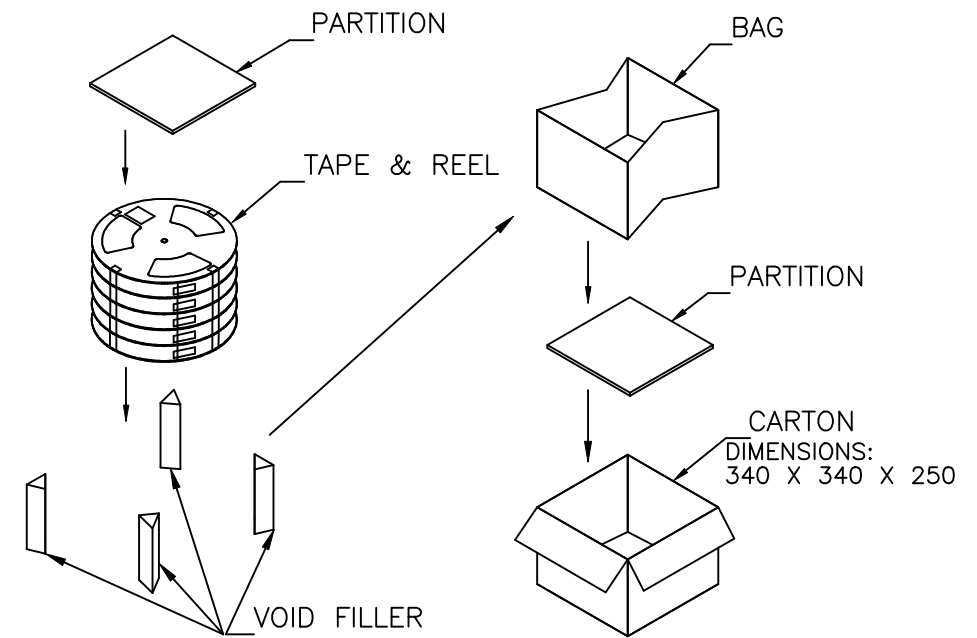
THIS DRAWING IS UNPUBLISHED. RELEASED FOR PUBLICATION
 © COPYRIGHT 2013 BY TE CONNECTIVITY. ALL RIGHTS RESERVED.

LOC	DIST	REVISIONS				
P	LTR	DESCRIPTION	DATE	DWN	APVD	
DW	-	SEE SHEET 1				



NOTE:

1. PEELING FORCE: 10g ~ 130g.
2. PEELING SPEED: 300mm/min.(REFERENCE)



5.44	0.61	700	7	4900	6-1734598-2
5.7	0.87	700	7	4900	6-1734598-1
G/W (Kg)	N/W (Kg)	PCS/TAPE	REELS/BOX	NO. OF CONNECTORS	PART NUMBER

THIS DRAWING IS A CONTROLLED DOCUMENT.		DWN —			
DIMENSIONS: MM		CHK —			
TOLERANCES UNLESS OTHERWISE SPECIFIED:		APVD —		NAME	
0 PLC ± -		PRODUCT SPEC		1.25 MM PITCH WIRE-TO-BOARD CONNECTOR, HEADER, DIP, VERTICAL	
1 PLC ± -		APPLICATION SPEC		SIZE	
2 PLC ± -		WEIGHT		CAGE CODE	
3 PLC ± -		CUSTOMER DRAWING		DRAWING NO	
4 PLC ± -		SCALE		RESTRICTED TO	
ANGLES ± -		SHEET 4 of 4		A3 00779 C-1734598	
FINISH		REV R2			

X-ON Electronics

Largest Supplier of Electrical and Electronic Components

Click to view similar products for [Headers & Wire Housings](#) category:

Click to view products by [TE Connectivity](#) manufacturer:

Other Similar products are found below :

[892-18-020-10-001101](#) [58102-G61-06LF](#) [582553-1](#) [0009485154](#) [009176003701906](#) [0050291907](#) [LY20-4P-DT1-P1E-BR](#) [02.125.8002.8](#)
[609-3404](#) [61062-3](#) [61082-181009](#) [622-3653LF](#) [63453-116](#) [636-1030](#) [636-1427](#) [636-3427](#) [636-4007](#) [641938-9](#) [641991-4](#) [644827-2](#) [65817-](#)
[010LF](#) [65817-015LF](#) [65863-015LF](#) [66207-023LF](#) [67095-007LF](#) [67601157](#) [68645-018](#) [68648-049](#) [70.362.1628.0](#) [70-4210](#) [70-4226B](#) [70-](#)
[4853B](#) [707-5020](#) [707-5028](#) [71.350.2428.0](#) [71918-208LF](#) [71961-016LF](#) [733-134](#) [733-162](#) [754199-000](#) [760-3052](#) [787-8014-00](#) [79531-3000](#)
[FCN-360C032-B](#) [FCN-367T-T012/H](#) [FCN-723D010/2](#) [80.063.4001.1](#) [800-90-001-10-001000](#) [800-90-010-10-002000](#) [801-43-002-10-013000](#)