

4

3

2

1

THIS DRAWING IS UNPUBLISHED.

RELEASED FOR PUBLICATION

LOC

DIST

REVISIONS

© COPYRIGHT 2013 BY TE CONNECTIVITY. ALL RIGHTS RESERVED.

ALL RIGHTS RESERVED.

DW

P

LTR

DESCRIPTION

DATE

DWN

APVD

R2

ECR-18-014164

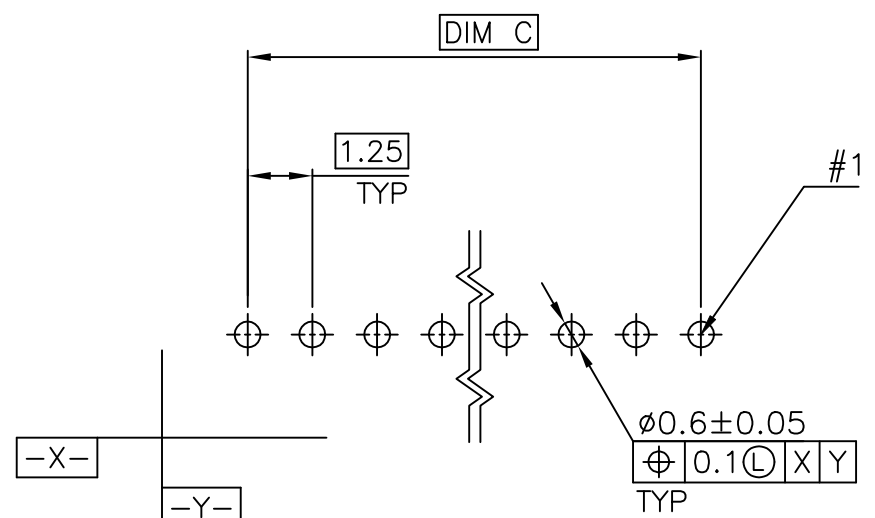
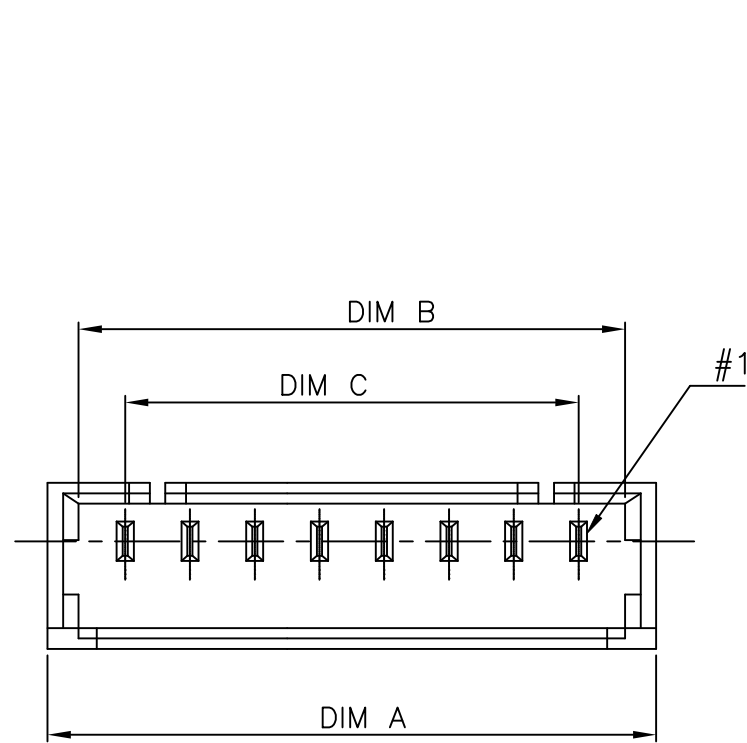
29NOV18

T.Q

W.H

D

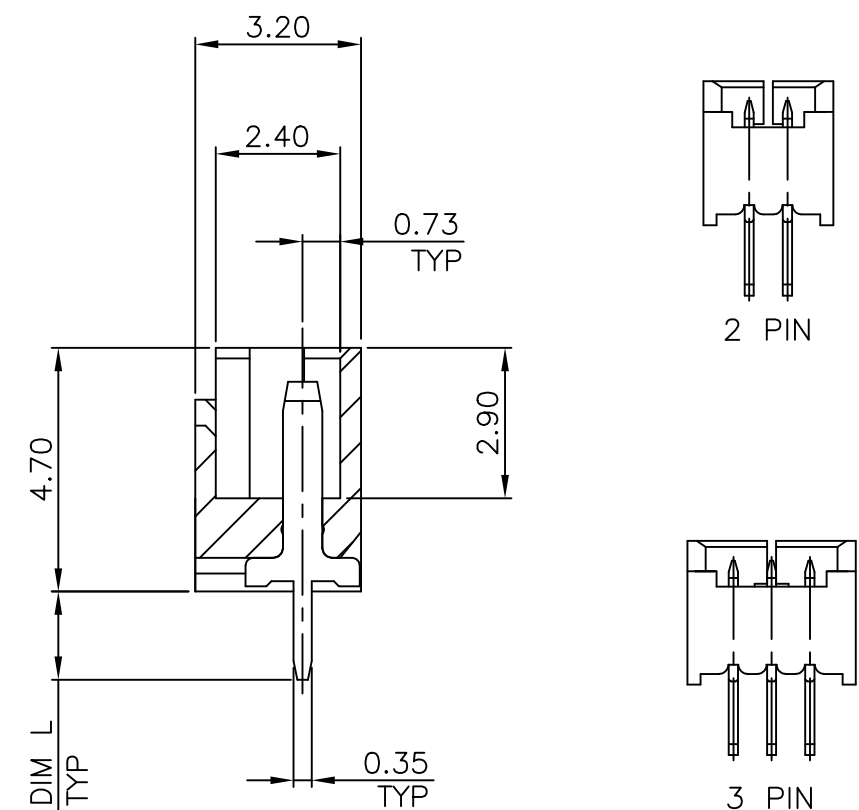
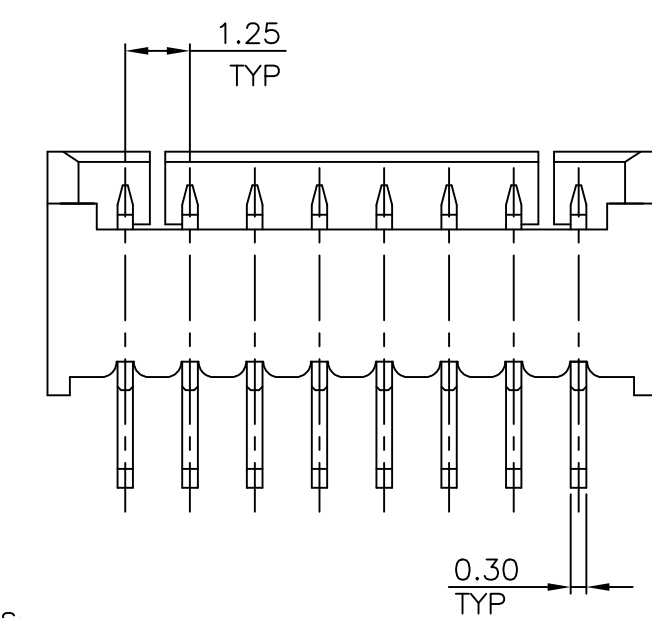
D



RECOMMENDED PCB LAYOUT (TOP VIEW)
TOLERANCE: ±0.05, THICKNESS: 1.2MM ~ 1.8MM

C

C



B

B

A

A

NOTES:

- MATERIAL:
HOUSING: PA9T W/ 30% GF, UL94 V-0, NATURAL COLOR.
CONTACTS: PHOSPHOR BRONZE.
- FINISH:
CONTACTS: 120μ" MIN. MATTE-TIN OVER 50μ" MIN. NICKEL PLATED.

Δ 0.762μm [30μ"] MIN. GOLD PLATED ON CONTACT AREA, GOLD FLASH ON SOLDER TAILS, 1.27μm [50μ"] MIN. NICKEL ON ENTIRE CONTACT.
- NO TE LOGO AND DATE CODE ON THE PRODUCT.

DIM. L	DIM. C	DIM. B	DIM. A	NO. OF CONTACTS	PART NUMBER
2.30	5.00	6.80	8.00	5	6-1734598-0
	17.50	19.30	20.50	15	5-1734598-5
	16.25	18.05	19.25	14	5-1734598-4
	15.00	16.80	18.00	13	5-1734598-3
	13.75	15.55	16.75	12	5-1734598-2
	12.50	14.30	15.50	11	5-1734598-1
	11.25	13.05	14.25	10	5-1734598-0
3.70	10.00	11.80	13.00	9	4-1734598-9
	8.75	10.55	11.75	8	4-1734598-8
	7.50	9.30	10.50	7	4-1734598-7
	6.25	8.05	9.25	6	4-1734598-6
	5.00	6.80	8.00	5	4-1734598-5
	3.75	5.55	6.75	4	4-1734598-4
	2.50	4.30	5.50	3	4-1734598-3
	1.25	3.05	4.25	2	4-1734598-2
2.30	17.50	19.30	20.50	15	3-1734598-5
	16.25	18.05	19.25	14	3-1734598-4
	15.00	16.80	18.00	13	3-1734598-3
	13.75	15.55	16.75	12	3-1734598-2
	12.50	14.30	15.50	11	3-1734598-1
	11.25	13.05	14.25	10	3-1734598-0
	10.00	11.80	13.00	9	2-1734598-9
	8.75	10.55	11.75	8	2-1734598-8
	7.50	9.30	10.50	7	2-1734598-7
	6.25	8.05	9.25	6	2-1734598-6
	5.00	6.80	8.00	5	2-1734598-5
	3.75	5.55	6.75	4	2-1734598-4
	2.50	4.30	5.50	3	2-1734598-3
	1.25	3.05	4.25	2	2-1734598-2
1.70	17.50	19.30	20.50	15	1-1734598-5
	16.25	18.05	19.25	14	1-1734598-4
	15.00	16.80	18.00	13	1-1734598-3
	13.75	15.55	16.75	12	1-1734598-2
	12.50	14.30	15.50	11	1-1734598-1
	11.25	13.05	14.25	10	1-1734598-0
	10.00	11.80	13.00	9	1734598-9
	8.75	10.55	11.75	8	1734598-8
	7.50	9.30	10.50	7	1734598-7
	6.25	8.05	9.25	6	1734598-6
	5.00	6.80	8.00	5	1734598-5
	3.75	5.55	6.75	4	1734598-4
	2.50	4.30	5.50	3	1734598-3
	1.25	3.05	4.25	2	1734598-2

THIS DRAWING IS A CONTROLLED DOCUMENT.

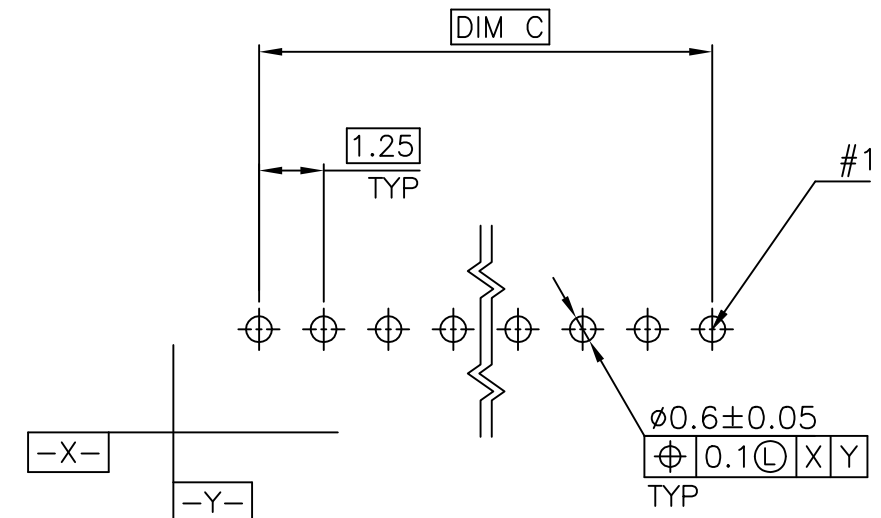
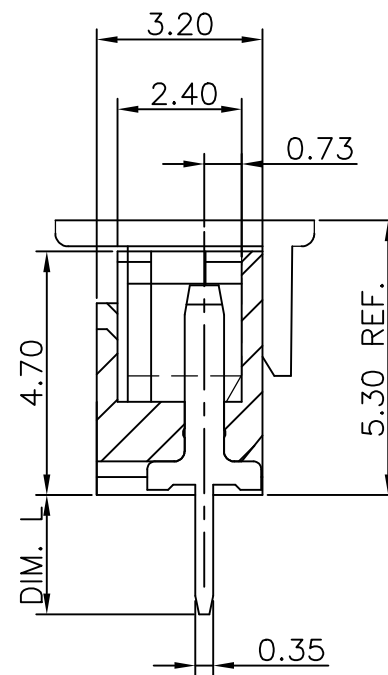
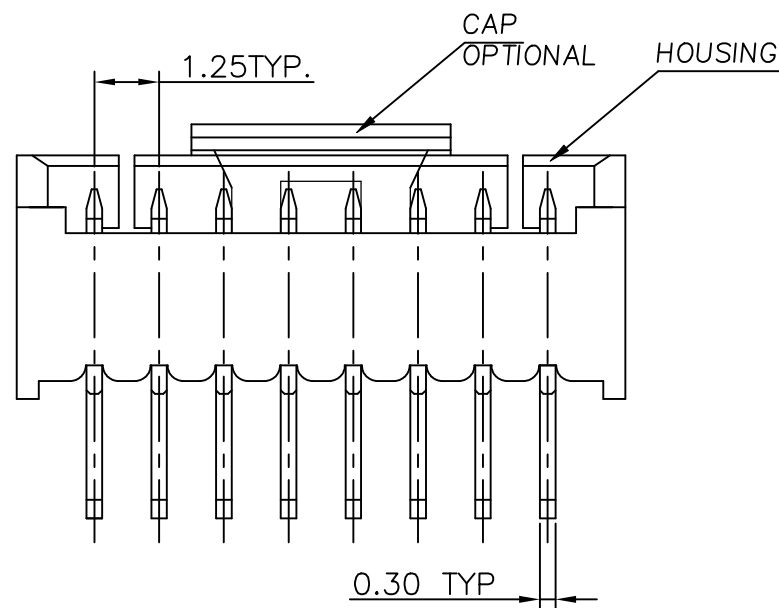
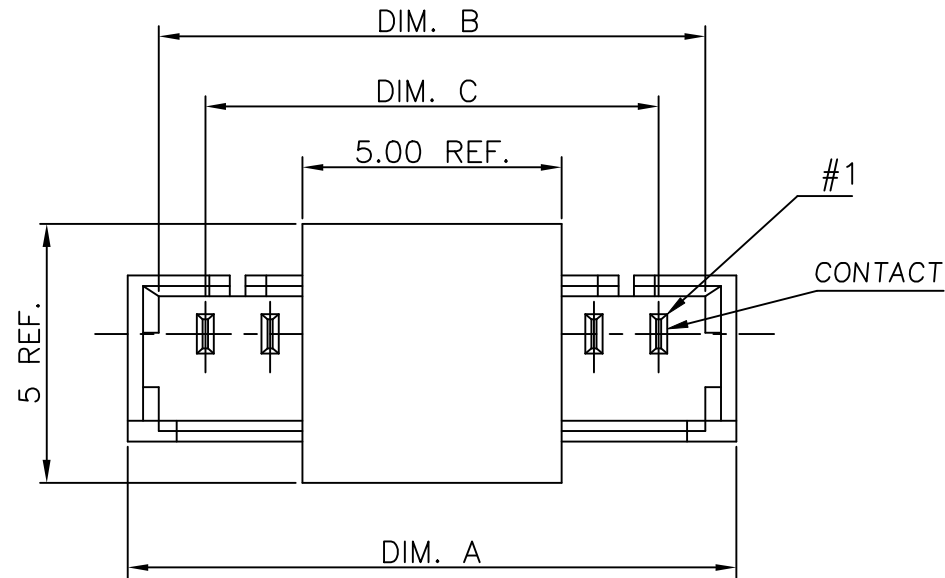
DIMENSIONS: MM	TOLERANCES UNLESS OTHERWISE SPECIFIED: 0 PLC ± - 1 PLC ± 0.3 2 PLC ± 0.2 3 PLC ± - 4 PLC ± - ANGLES ± 5°	DWN A. WU 30DEC2005	TE Connectivity NAME 1.25 MM PITCH WIRE-TO-BOARD CONNECTOR, HEADER, DIP, VERTICAL
MATERIAL SEE NOTE	FINISH SEE NOTE	CHK S. HOU 30DEC2005	
		APVD W.J. KE 30DEC2005	
		PRODUCT SPEC 108-57273	
		APPLICATION SPEC -	SIZE A3
		WEIGHT -	CAGE CODE 00779
		CUSTOMER DRAWING	DRAWING NO 1734598
			RESTRICTED TO -
			SCALE -
			SHEET 1 of 4
			REV R2

THIS DRAWING IS UNPUBLISHED. RELEASED FOR PUBLICATION
 © COPYRIGHT 2013 BY TE CONNECTIVITY. ALL RIGHTS RESERVED.

LOC	DIST	REVISIONS			
P	LTR	DESCRIPTION	DATE	DWN	APVD
DW	-	SEE SHEET 1			

NOTE:

- MATERIAL:
 HOUSING: THERMOPLASTIC (LCP) WITH 30% GF, UL 94V-0, NATURE COLOR.
 CAP: THERMOPLASTIC (LCP) WITH 30% GF, UL 94V-0, COLOR BLACK
 CONTACTS: PHOSPHOR BRONZE.
- FINISH:
 CONTACTS: 3.048μm[120μ"] MIN. MATTE-TIN OVER
 1.27μm[50μ"]MIN. NICKEL ON ENTIRE CONTACT.
- REFLOW SOLDER CAPABLE TO 260°C PER TE SPEC. TEC-109-201, CONDITION B.
- LOW HALOGEN SPECIFICATION:
 CHLORINE(Cl): 900ppm MAX.
 BROMINE(Br): 900ppm MAX.
- NO TE LOGO AND DATE CODE ON THE PRODUCT.
- PACKAGE : TAPE AND REEL TYPE (SEE PAGE 4)



RECOMMENDED PCB LAYOUT (TOP VIEW)
 TOLERANCE: ±0.05, THICKNESS: 1.6MM

WITHOUT	2.30	8.75	10.55	11.75	8	6-1734598-2
WITH	2.30	8.75	10.55	11.75	8	6-1734598-1
CAP STATUS	DIM. L	DIM. C	DIM. B	DIM. A	NO. OF CONTACTS	PART NUMBER

THIS DRAWING IS A CONTROLLED DOCUMENT.		DWN	TE Connectivity			
DIMENSIONS: MM		CHK				
TOLERANCES UNLESS OTHERWISE SPECIFIED:		APVD	NAME			
0 PLC ± -		PRODUCT SPEC	1.25 MM PITCH WIRE-TO-BOARD CONNECTOR, HEADER, DIP, VERTICAL			
1 PLC ± -		APPLICATION SPEC	SIZE	CAGE CODE	DRAWING NO	RESTRICTED TO
2 PLC ± -		WEIGHT	A3	00779	C=1734598	-
3 PLC ± -		CUSTOMER DRAWING	SCALE	SHEET	REV	
4 PLC ± -			-	2 of 4	R2	
ANGLES ± -						
MATERIAL						
FINISH						

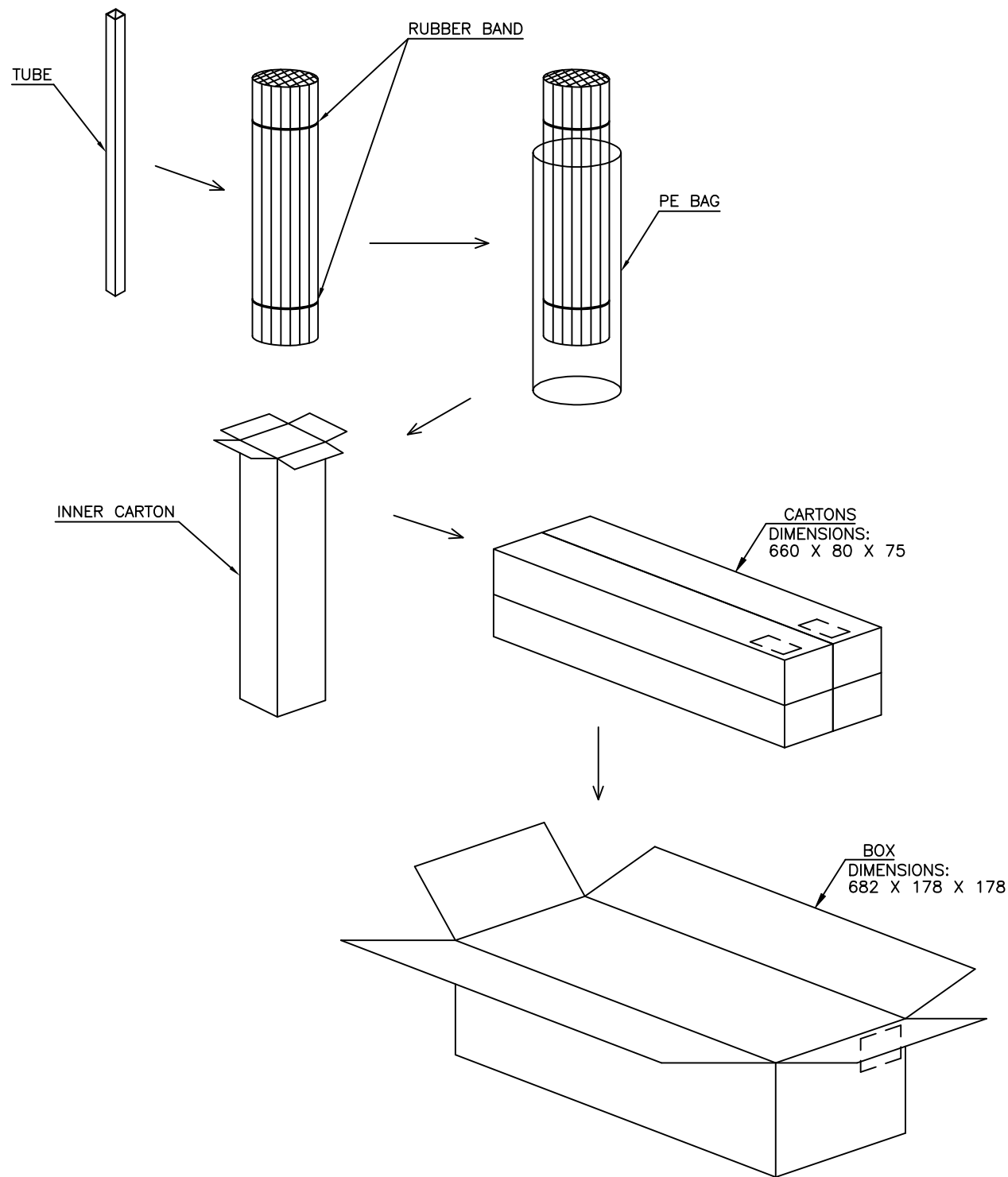
THIS DRAWING IS UNPUBLISHED.

RELEASED FOR PUBLICATION

© COPYRIGHT 2013 BY TE CONNECTIVITY.

ALL RIGHTS RESERVED.

LOC	DIST	REVISIONS					
DW	-	P	LTR	DESCRIPTION	DATE	DWN	APVD
				SEE SHEET 1			



NOTE:

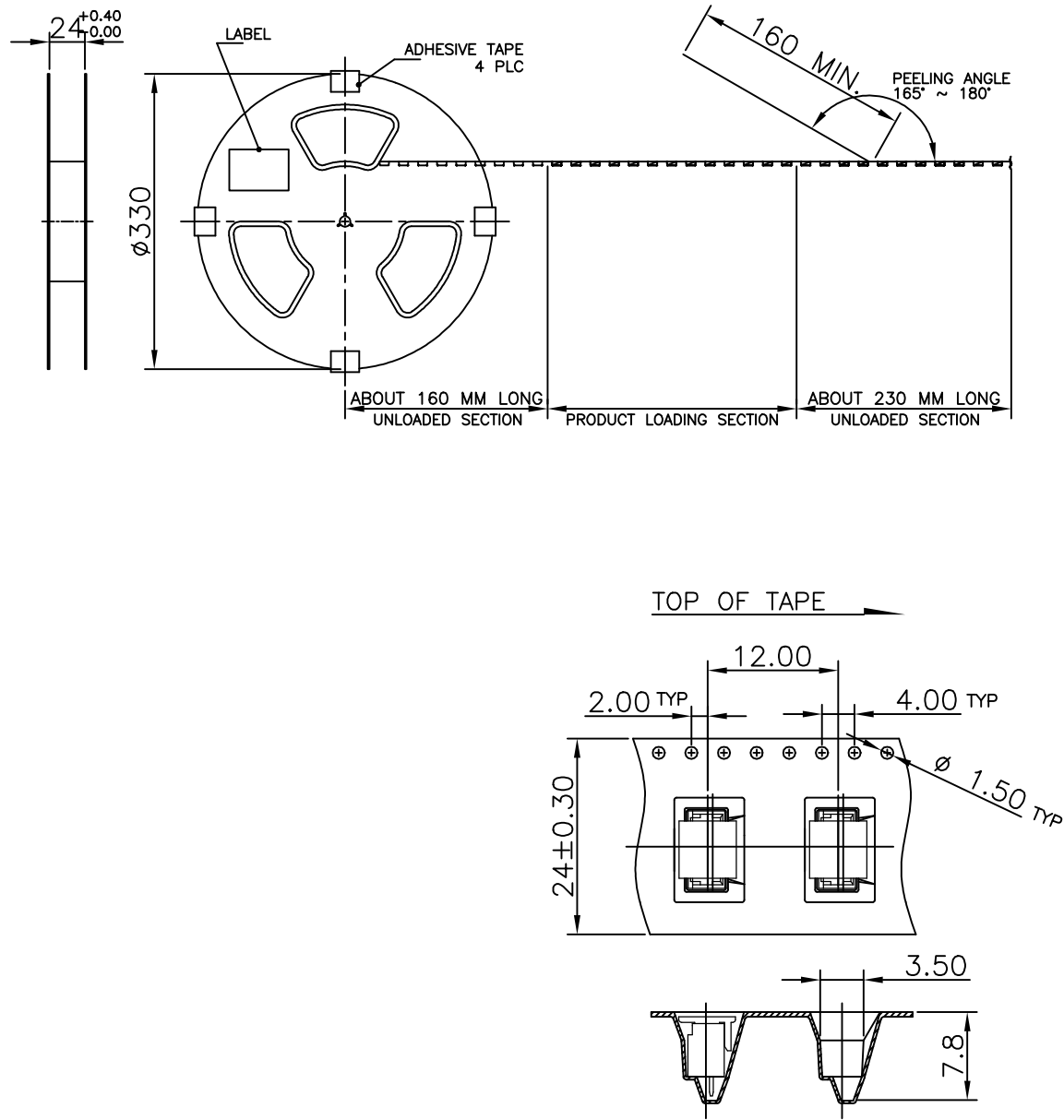
- 1. PN 6-1734598-1
- 6-1734598-2 SEE NEXT PAGE

200	6000	30	5.948	2.178	15
	6400	32	5.920	2.150	14
	6800	34	5.919	2.148	13
	7200	36	5.959	2.188	12
	7800	39	5.868	2.098	11
	8600	43	5.972	2.201	10
	9400	47	5.970	2.199	9
	10400	52	5.954	2.184	8
	11600	58	5.974	2.204	7
	13200	66	5.850	2.112	6
	15200	76	5.929	2.158	5
	18000	90	5.930	2.160	4
22000	110	5.950	2.178	3	
28200	141	5.915	2.143	2	
TUBES/BOX	QUANTITY	PCS/TUBE	G/W (KG)	N/W (KG)	NO. OF CONTACTS

THIS DRAWING IS A CONTROLLED DOCUMENT.		DWN	TE Connectivity		
DIMENSIONS: MM		CHK	NAME		
TOLERANCES UNLESS OTHERWISE SPECIFIED:		APVD	1.25 MM PITCH WIRE-TO-BOARD CONNECTOR, HEADER, DIP, VERTICAL		
0 PLC ± -		PRODUCT SPEC	SIZE CAGE CODE DRAWING NO RESTRICTED TO		
1 PLC ± -		APPLICATION SPEC	A3 00779 C-1734598		
2 PLC ± -		WEIGHT	SCALE SHEET REV		
3 PLC ± -			- - 3 of 4 R2		
4 PLC ± -					
ANGLES ± -					
MATERIAL			CUSTOMER DRAWING		
FINISH					

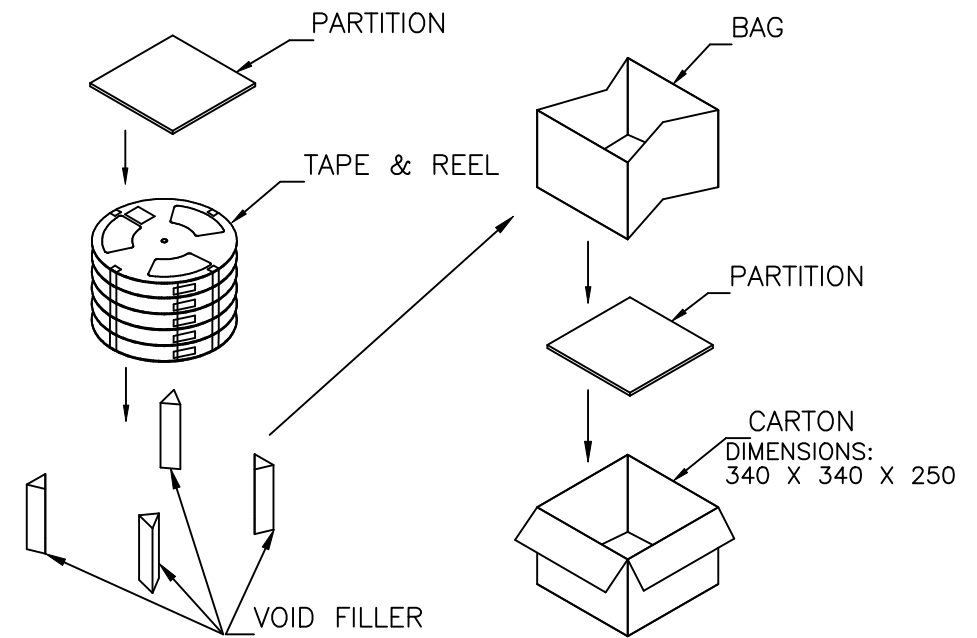
THIS DRAWING IS UNPUBLISHED. RELEASED FOR PUBLICATION
 © COPYRIGHT 2013 BY TE CONNECTIVITY. ALL RIGHTS RESERVED.

LOC	DIST	REVISIONS				
P	LTR	DESCRIPTION	DATE	DWN	APVD	
DW	-	SEE SHEET 1				



NOTE:

1. PEELING FORCE: 10g ~ 130g.
2. PEELING SPEED: 300mm/min.(REFERENCE)



5.44	0.61	700	7	4900	6-1734598-2
5.7	0.87	700	7	4900	6-1734598-1
G/W (Kg)	N/W (Kg)	PCS/TAPE	REELS/BOX	NO. OF CONNECTORS	PART NUMBER

THIS DRAWING IS A CONTROLLED DOCUMENT.		DWN		 TE Connectivity NAME 1.25 MM PITCH WIRE-TO-BOARD CONNECTOR, HEADER, DIP, VERTICAL	
DIMENSIONS: MM		CHK			
TOLERANCES UNLESS OTHERWISE SPECIFIED: 0 PLC ± - 1 PLC ± - 2 PLC ± - 3 PLC ± - 4 PLC ± - ANGLES ± -		APVD			
MATERIAL		FINISH			
		PRODUCT SPEC		SIZE	
		APPLICATION SPEC		CAGE CODE	
		WEIGHT		DRAWING NO	
		CUSTOMER DRAWING		A3 00779 C-1734598	
		SCALE		RESTRICTED TO	
		SHEET 4 of 4		REV R2	

X-ON Electronics

Largest Supplier of Electrical and Electronic Components

Click to view similar products for [Headers & Wire Housings](#) category:

Click to view products by [TE Connectivity](#) manufacturer:

Other Similar products are found below :

[892-18-020-10-001101](#) [58102-G61-06LF](#) [582553-1](#) [0009485154](#) [009176003701906](#) [0050291907](#) [LY20-4P-DT1-P1E-BR](#) [02.125.8002.8](#)
[609-3404](#) [61062-3](#) [61082-181009](#) [622-3653LF](#) [63453-116](#) [636-1030](#) [636-1427](#) [636-3427](#) [636-4007](#) [641938-9](#) [641991-4](#) [644827-2](#) [65817-](#)
[010LF](#) [65817-015LF](#) [65863-015LF](#) [66207-023LF](#) [67095-007LF](#) [67601157](#) [68645-018](#) [68648-049](#) [70.362.1628.0](#) [70-4210](#) [70-4226B](#) [70-](#)
[4853B](#) [707-5020](#) [707-5028](#) [71.350.2428.0](#) [71918-208LF](#) [71961-016LF](#) [733-134](#) [733-162](#) [754199-000](#) [760-3052](#) [787-8014-00](#) [79531-3000](#)
[FCN-360C032-B](#) [FCN-367T-T012/H](#) [FCN-723D010/2](#) [80.063.4001.1](#) [800-90-001-10-001000](#) [800-90-010-10-002000](#) [801-43-002-10-013000](#)