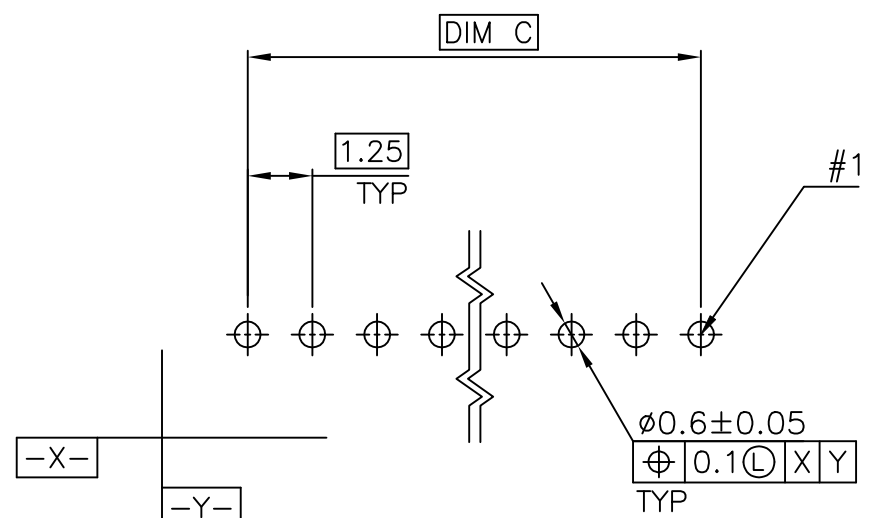
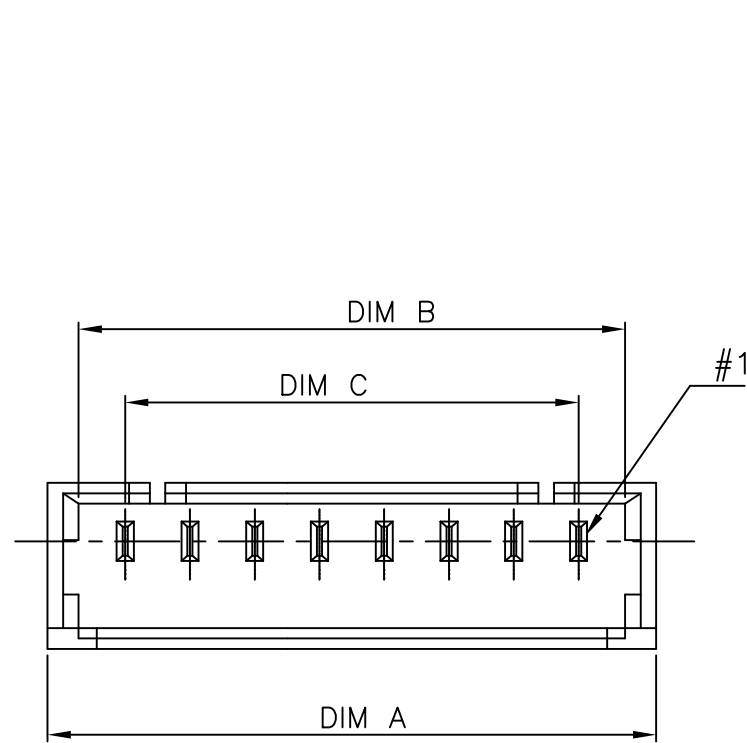
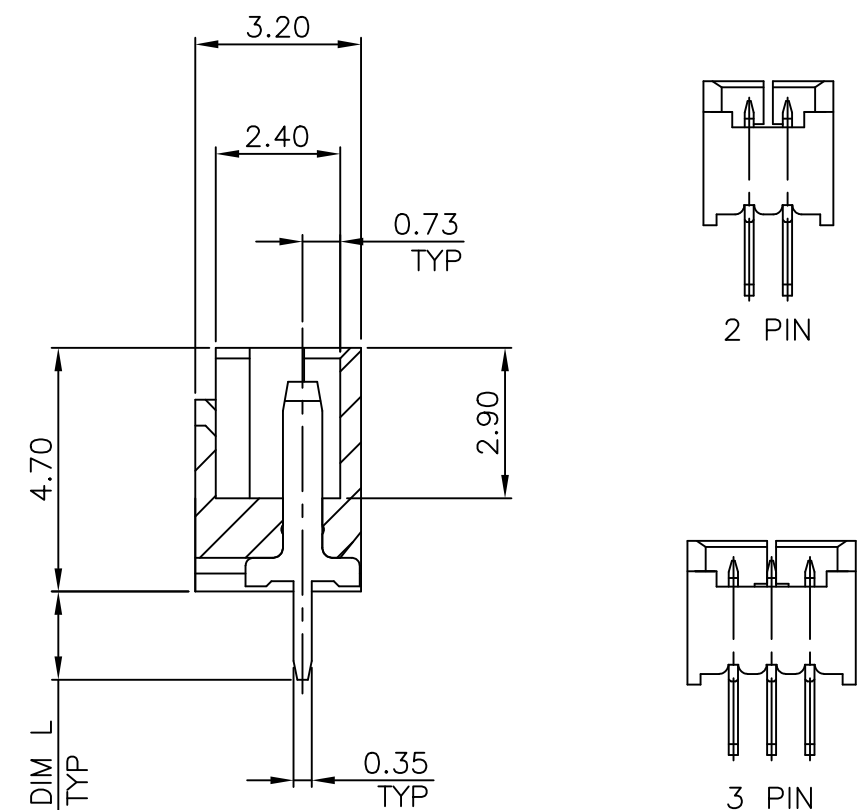
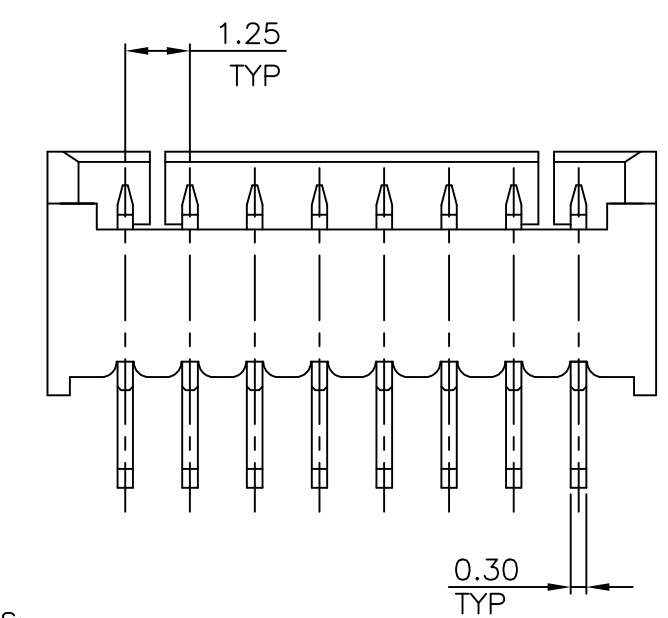


THIS DRAWING IS UNPUBLISHED. RELEASED FOR PUBLICATION
 © COPYRIGHT 2013 BY TE CONNECTIVITY. ALL RIGHTS RESERVED.

| LOC | DIST | REVISIONS | | | | | |
|-----|------|-----------|-----|---------------|---------|-----|------|
| DW | - | P | LTR | DESCRIPTION | DATE | DWN | APVD |
| | | R2 | | ECR-18-014164 | 29NOV18 | T.Q | W.H |



RECOMMENDED PCB LAYOUT (TOP VIEW)
 TOLERANCE: ±0.05, THICKNESS: 1.2MM ~ 1.8MM



| DIM. L | DIM. C | DIM. B | DIM. A | NO. OF CONTACTS | PART NUMBER |
|--------|--------|--------|--------|-----------------|-------------|
| 2.30 | 5.00 | 6.80 | 8.00 | 5 | 6-1734598-0 |
| | 17.50 | 19.30 | 20.50 | 15 | 5-1734598-5 |
| | 16.25 | 18.05 | 19.25 | 14 | 5-1734598-4 |
| | 15.00 | 16.80 | 18.00 | 13 | 5-1734598-3 |
| | 13.75 | 15.55 | 16.75 | 12 | 5-1734598-2 |
| | 12.50 | 14.30 | 15.50 | 11 | 5-1734598-1 |
| | 11.25 | 13.05 | 14.25 | 10 | 5-1734598-0 |
| 3.70 | 10.00 | 11.80 | 13.00 | 9 | 4-1734598-9 |
| | 8.75 | 10.55 | 11.75 | 8 | 4-1734598-8 |
| | 7.50 | 9.30 | 10.50 | 7 | 4-1734598-7 |
| | 6.25 | 8.05 | 9.25 | 6 | 4-1734598-6 |
| | 5.00 | 6.80 | 8.00 | 5 | 4-1734598-5 |
| | 3.75 | 5.55 | 6.75 | 4 | 4-1734598-4 |
| | 2.50 | 4.30 | 5.50 | 3 | 4-1734598-3 |
| | 1.25 | 3.05 | 4.25 | 2 | 4-1734598-2 |
| 2.30 | 17.50 | 19.30 | 20.50 | 15 | 3-1734598-5 |
| | 16.25 | 18.05 | 19.25 | 14 | 3-1734598-4 |
| | 15.00 | 16.80 | 18.00 | 13 | 3-1734598-3 |
| | 13.75 | 15.55 | 16.75 | 12 | 3-1734598-2 |
| | 12.50 | 14.30 | 15.50 | 11 | 3-1734598-1 |
| | 11.25 | 13.05 | 14.25 | 10 | 3-1734598-0 |
| | 10.00 | 11.80 | 13.00 | 9 | 2-1734598-9 |
| | 8.75 | 10.55 | 11.75 | 8 | 2-1734598-8 |
| | 7.50 | 9.30 | 10.50 | 7 | 2-1734598-7 |
| | 6.25 | 8.05 | 9.25 | 6 | 2-1734598-6 |
| | 5.00 | 6.80 | 8.00 | 5 | 2-1734598-5 |
| | 3.75 | 5.55 | 6.75 | 4 | 2-1734598-4 |
| | 2.50 | 4.30 | 5.50 | 3 | 2-1734598-3 |
| | 1.25 | 3.05 | 4.25 | 2 | 2-1734598-2 |
| 1.70 | 17.50 | 19.30 | 20.50 | 15 | 1-1734598-5 |
| | 16.25 | 18.05 | 19.25 | 14 | 1-1734598-4 |
| | 15.00 | 16.80 | 18.00 | 13 | 1-1734598-3 |
| | 13.75 | 15.55 | 16.75 | 12 | 1-1734598-2 |
| | 12.50 | 14.30 | 15.50 | 11 | 1-1734598-1 |
| | 11.25 | 13.05 | 14.25 | 10 | 1-1734598-0 |
| | 10.00 | 11.80 | 13.00 | 9 | 1734598-9 |
| | 8.75 | 10.55 | 11.75 | 8 | 1734598-8 |
| | 7.50 | 9.30 | 10.50 | 7 | 1734598-7 |
| | 6.25 | 8.05 | 9.25 | 6 | 1734598-6 |
| | 5.00 | 6.80 | 8.00 | 5 | 1734598-5 |
| | 3.75 | 5.55 | 6.75 | 4 | 1734598-4 |
| | 2.50 | 4.30 | 5.50 | 3 | 1734598-3 |
| | 1.25 | 3.05 | 4.25 | 2 | 1734598-2 |

- NOTES:
- MATERIAL:
HOUSING: PA9T W/ 30% GF, UL94 V-0, NATURAL COLOR.
CONTACTS: PHOSPHOR BRONZE.
 - FINISH:
CONTACTS: 120μ" MIN. MATTE-TIN OVER 50μ" MIN. NICKEL PLATED.
 ⚠ 0.762μm [30μ"] MIN. GOLD PLATED ON CONTACT AREA,
 GOLD FLASH ON SOLDER TAILS, 1.27μm [50μ"] MIN. NICKEL ON ENTIRE CONTACT.
 - NO TE LOGO AND DATE CODE ON THE PRODUCT.

| | | | | | | | | |
|--|--|------------------|---------|-----------|---|-----------|------------|---------------|
| THIS DRAWING IS A CONTROLLED DOCUMENT. | | DWN | A. WU | 30DEC2005 | TE Connectivity NAME 1.25 MM PITCH WIRE-TO-BOARD CONNECTOR, HEADER, DIP, VERTICAL | | | |
| DIMENSIONS: MM | | CHK | S. HOU | 30DEC2005 | | | | |
| TOLERANCES UNLESS OTHERWISE SPECIFIED: | | APVD | W.J. KE | 30DEC2005 | | | | |
| 0 PLC ± - 1 PLC ± 0.3 2 PLC ± 0.2 3 PLC ± - 4 PLC ± - ANGLES ± 5° | | PRODUCT SPEC | | 108-57273 | | | | |
| MATERIAL | | APPLICATION SPEC | | - | SIZE | CAGE CODE | DRAWING NO | RESTRICTED TO |
| SEE NOTE | | FINISH | | SEE NOTE | A300779 | | C=1734598 | - |
| CUSTOMER DRAWING | | | | | SCALE | - | SHEET | 1 of 4 |
| | | | | | REV R2 | | | |

THIS DRAWING IS UNPUBLISHED.

RELEASED FOR PUBLICATION

© COPYRIGHT 2013 BY TE CONNECTIVITY.

ALL RIGHTS RESERVED.

LOC

DIST

REVISIONS

DW

P

LTR

DESCRIPTION

DATE

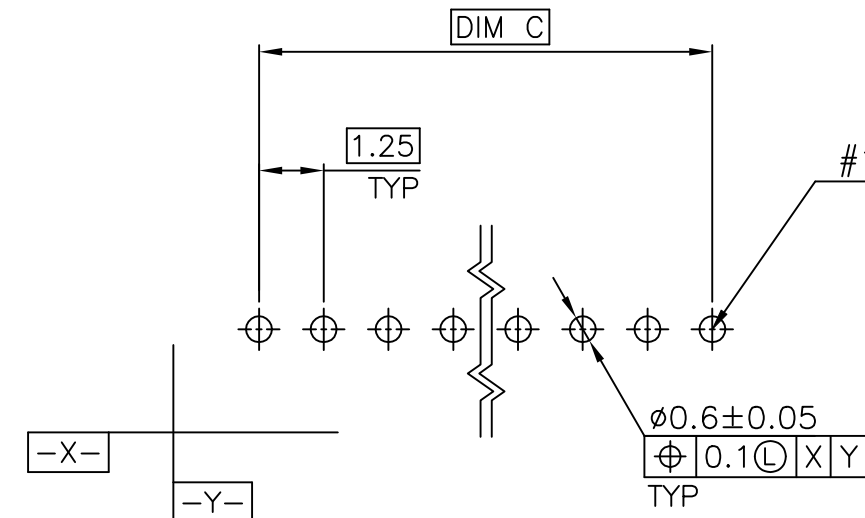
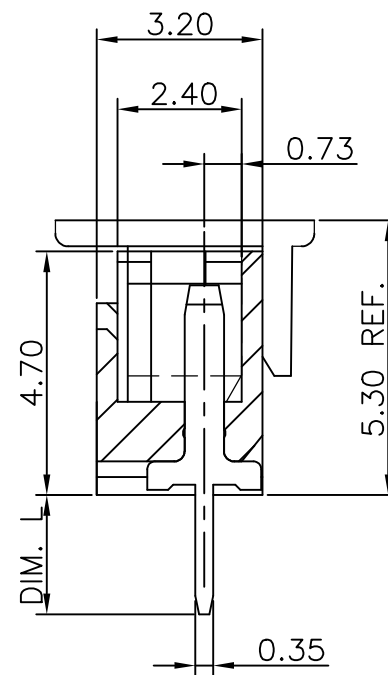
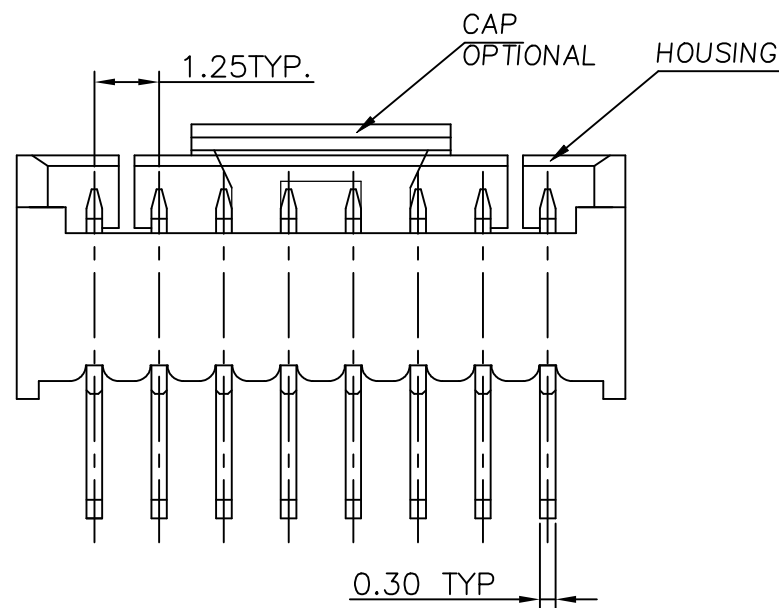
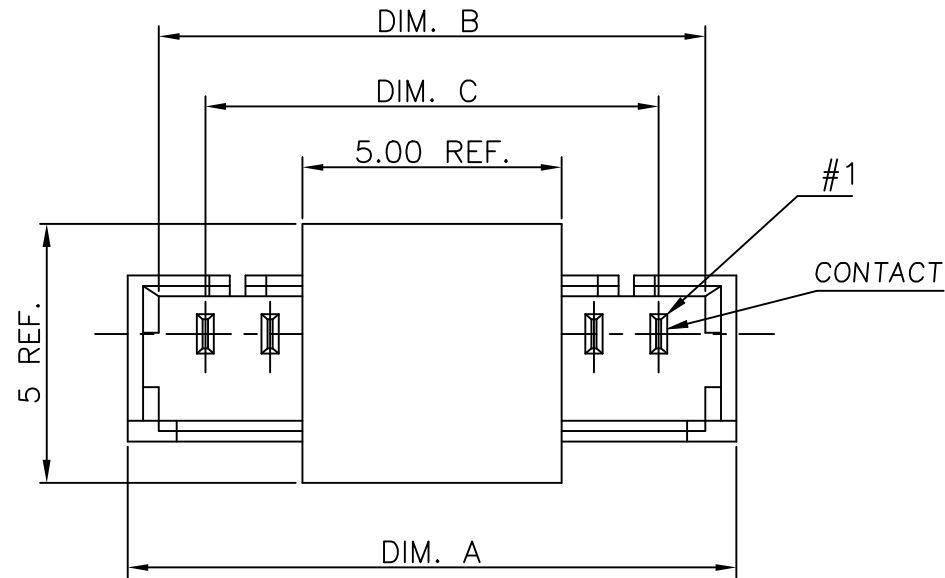
DWN

APVD

SEE SHEET 1

NOTE:

- MATERIAL:
HOUSING: THERMOPLASTIC (LCP) WITH 30% GF, UL 94V-0, NATURE COLOR.
CAP: THERMOPLASTIC (LCP) WITH 30% GF, UL 94V-0, COLOR BLACK
CONTACTS: PHOSPHOR BRONZE.
- FINISH:
CONTACTS: 3.048μm[120μ"] MIN. MATTE-TIN OVER
1.27μm[50μ"]MIN. NICKEL ON ENTIRE CONTACT.
- REFLOW SOLDER CAPABLE TO 260°C PER TE SPEC. TEC-109-201, CONDITION B.
- LOW HALOGEN SPECIFICATION:
CHLORINE(Cl): 900ppm MAX.
BROMINE(Br): 900ppm MAX.
- NO TE LOGO AND DATE CODE ON THE PRODUCT.
- PACKAGE : TAPE AND REEL TYPE (SEE PAGE 4)



RECOMMENDED PCB LAYOUT (TOP VIEW)
TOLERANCE: ±0.05, THICKNESS: 1.6MM

| | | | | | | |
|------------|--------|--------|--------|--------|-----------------|-------------|
| WITHOUT | 2.30 | 8.75 | 10.55 | 11.75 | 8 | 6-1734598-2 |
| WITH | 2.30 | 8.75 | 10.55 | 11.75 | 8 | 6-1734598-1 |
| CAP STATUS | DIM. L | DIM. C | DIM. B | DIM. A | NO. OF CONTACTS | PART NUMBER |

| | | | |
|--|--------|------------------|-----|
| THIS DRAWING IS A CONTROLLED DOCUMENT. | | DWN | --- |
| DIMENSIONS: MM | | CHK | --- |
| TOLERANCES UNLESS OTHERWISE SPECIFIED: | | APVD | --- |
| 0 PLC | ± - | PRODUCT SPEC | --- |
| 1 PLC | ± - | APPLICATION SPEC | --- |
| 2 PLC | ± - | WEIGHT | --- |
| 3 PLC | ± - | CUSTOMER DRAWING | --- |
| 4 PLC | ± - | | |
| ANGLES | ± - | | |
| MATERIAL | FINISH | | |

| | | | |
|--|-----------|------------|---------------|
| TE TE Connectivity | | | |
| NAME | | | |
| 1.25 MM PITCH WIRE-TO-BOARD CONNECTOR, HEADER, DIP, VERTICAL | | | |
| SIZE | CAGE CODE | DRAWING NO | RESTRICTED TO |
| A3 | 00779 | C=1734598 | --- |
| SCALE | | SHEET | REV |
| --- | | 2 of 4 | R2 |

THIS DRAWING IS UNPUBLISHED.

RELEASED FOR PUBLICATION

© COPYRIGHT 2013 BY TE CONNECTIVITY.

ALL RIGHTS RESERVED.

LOC

DIST

REVISIONS

DW

P

LTR

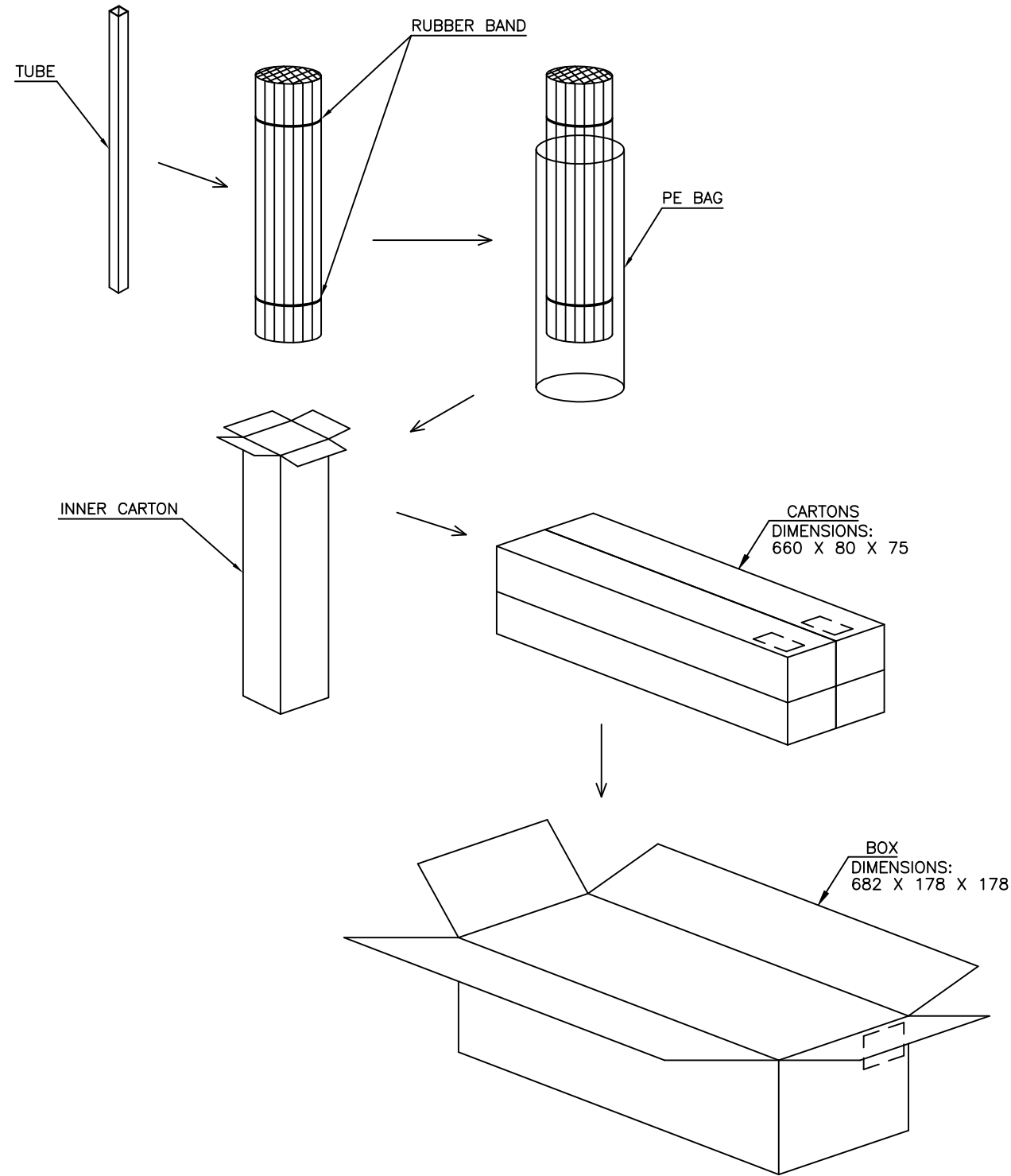
DESCRIPTION

DATE

DWN

APVD

SEE SHEET 1



NOTE:

- 1. PN 6-1734598-1
- 6-1734598-2 SEE NEXT PAGE

| TUBES/BOX | QUANTITY | PCS/TUBE | G/W (KG) | N/W (KG) | NO. OF CONTACTS |
|-----------|----------|----------|----------|----------|-----------------|
| 200 | 6000 | 30 | 5.948 | 2.178 | 15 |
| 200 | 6400 | 32 | 5.920 | 2.150 | 14 |
| 200 | 6800 | 34 | 5.919 | 2.148 | 13 |
| 200 | 7200 | 36 | 5.959 | 2.188 | 12 |
| 200 | 7800 | 39 | 5.868 | 2.098 | 11 |
| 200 | 8600 | 43 | 5.972 | 2.201 | 10 |
| 200 | 9400 | 47 | 5.970 | 2.199 | 9 |
| 200 | 10400 | 52 | 5.954 | 2.184 | 8 |
| 200 | 11600 | 58 | 5.974 | 2.204 | 7 |
| 200 | 13200 | 66 | 5.850 | 2.112 | 6 |
| 200 | 15200 | 76 | 5.929 | 2.158 | 5 |
| 200 | 18000 | 90 | 5.930 | 2.160 | 4 |
| 200 | 22000 | 110 | 5.950 | 2.178 | 3 |
| 200 | 28200 | 141 | 5.915 | 2.143 | 2 |

THIS DRAWING IS A CONTROLLED DOCUMENT.

| | |
|------------------|-----|
| DWN | --- |
| CHK | --- |
| APVD | --- |
| PRODUCT SPEC | --- |
| APPLICATION SPEC | --- |
| WEIGHT | --- |
| CUSTOMER DRAWING | --- |

| | |
|----------------|--|
| DIMENSIONS: MM | |
| | |
| MATERIAL | |

| | |
|--|-----|
| TOLERANCES UNLESS OTHERWISE SPECIFIED: | |
| 0 PLC | ± - |
| 1 PLC | ± - |
| 2 PLC | ± - |
| 3 PLC | ± - |
| 4 PLC | ± - |
| ANGLES | ± - |
| FINISH | |



| | | | |
|--|-----------|------------|---------------|
| NAME | | | |
| 1.25 MM PITCH WIRE-TO-BOARD CONNECTOR, HEADER, DIP, VERTICAL | | | |
| SIZE | CAGE CODE | DRAWING NO | RESTRICTED TO |
| A3 | 00779 | C=1734598 | --- |
| SCALE | | SHEET | REV |
| --- | | 3 of 4 | R2 |

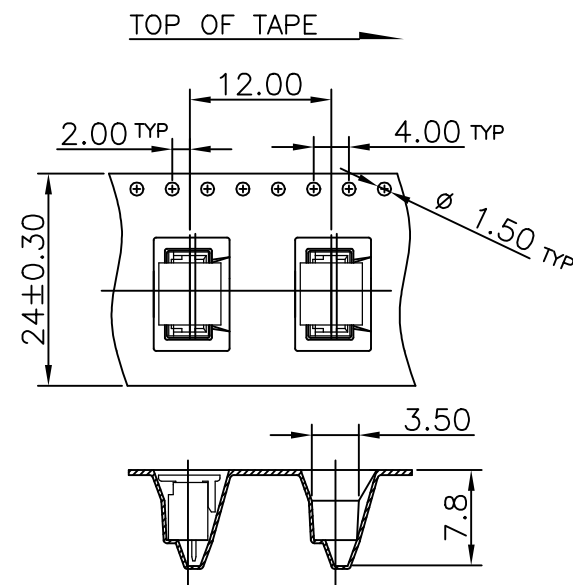
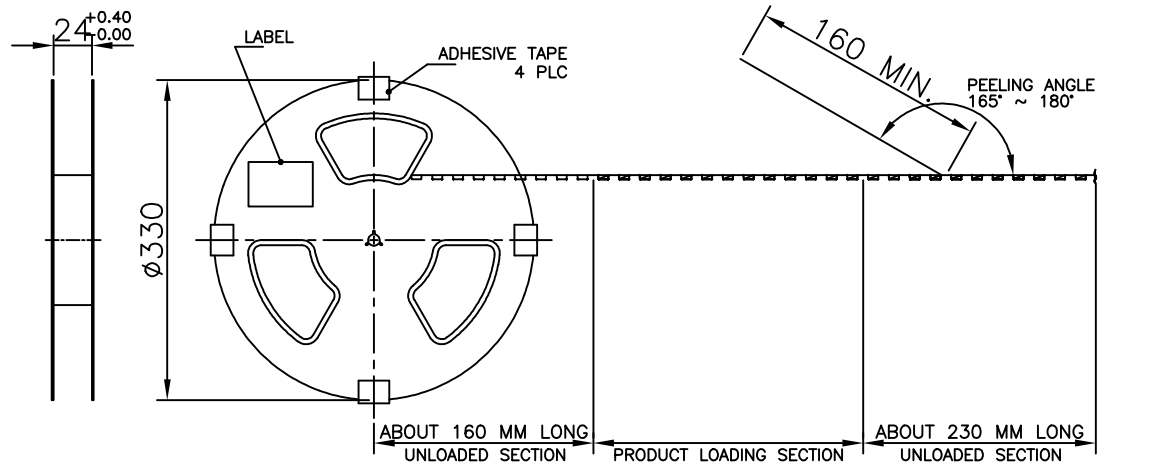
THIS DRAWING IS UNPUBLISHED.

RELEASED FOR PUBLICATION

© COPYRIGHT 2013 BY TE CONNECTIVITY.

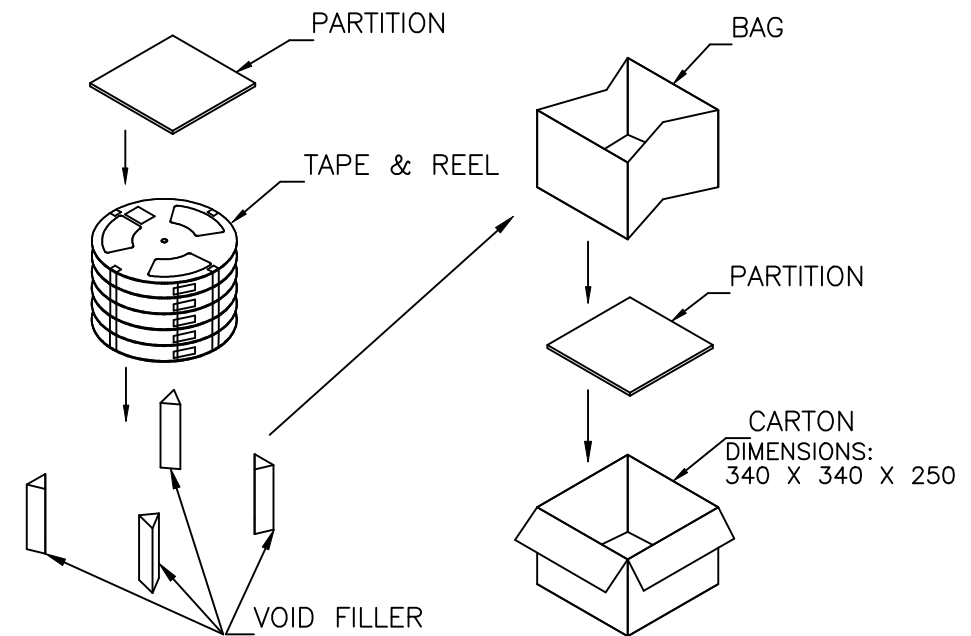
ALL RIGHTS RESERVED.

| LOC | DIST | REVISIONS | | | | | |
|-----|------|-----------|-----|-------------|------|-----|------|
| DW | - | P | LTR | DESCRIPTION | DATE | DWN | APVD |
| | | | | SEE SHEET 1 | | | |



NOTE:

1. PEELING FORCE: 10g ~ 130g.
2. PEELING SPEED: 300mm/min.(REFERENCE)



| 5.44 | 0.61 | 700 | 7 | 4900 | 6-1734598-2 |
|----------|----------|----------|-----------|-------------------|-------------|
| 5.7 | 0.87 | 700 | 7 | 4900 | 6-1734598-1 |
| G/W (Kg) | N/W (Kg) | PCS/TAPE | REELS/BOX | NO. OF CONNECTORS | PART NUMBER |

| | | | | | | |
|--|--|------------------|--|--|--|--|
| THIS DRAWING IS A CONTROLLED DOCUMENT. | | DWN | TE Connectivity | | | |
| DIMENSIONS: MM | | CHK | NAME | | | |
| TOLERANCES UNLESS OTHERWISE SPECIFIED: | | APVD | 1.25 MM PITCH WIRE-TO-BOARD CONNECTOR, HEADER, DIP, VERTICAL | | | |
| 0 PLC ± - | | PRODUCT SPEC | SIZE | | | |
| 1 PLC ± - | | APPLICATION SPEC | CAGE CODE | | | |
| 2 PLC ± - | | WEIGHT | DRAWING NO | | | |
| 3 PLC ± - | | CUSTOMER DRAWING | RESTRICTED TO | | | |
| 4 PLC ± - | | | A3 00779 C-1734598 | | | |
| ANGLES ± - | | | SCALE | | | |
| FINISH | | | SHEET 4 of 4 | | | |
| | | | REV R2 | | | |

X-ON Electronics

Largest Supplier of Electrical and Electronic Components

Click to view similar products for [Headers & Wire Housings](#) category:

Click to view products by [TE Connectivity](#) manufacturer:

Other Similar products are found below :

[892-18-020-10-001101](#) [58102-G61-06LF](#) [582553-1](#) [0009485154](#) [009176003701906](#) [0050291907](#) [LY20-4P-DT1-P1E-BR](#) [02.125.8002.8](#)
[609-3404](#) [61062-3](#) [61082-181009](#) [622-3653LF](#) [63453-116](#) [636-1030](#) [636-1427](#) [636-3427](#) [636-4007](#) [641938-9](#) [641991-4](#) [644827-2](#) [65817-](#)
[010LF](#) [65817-015LF](#) [65863-015LF](#) [66207-023LF](#) [67095-007LF](#) [67601157](#) [68645-018](#) [68648-049](#) [70.362.1628.0](#) [70-4210](#) [70-4226B](#) [70-](#)
[4853B](#) [707-5020](#) [707-5028](#) [71.350.2428.0](#) [71918-208LF](#) [71961-016LF](#) [733-134](#) [733-162](#) [754199-000](#) [760-3052](#) [787-8014-00](#) [79531-3000](#)
[FCN-360C032-B](#) [FCN-367T-T012/H](#) [FCN-723D010/2](#) [80.063.4001.1](#) [800-90-001-10-001000](#) [800-90-010-10-002000](#) [801-43-002-10-013000](#)