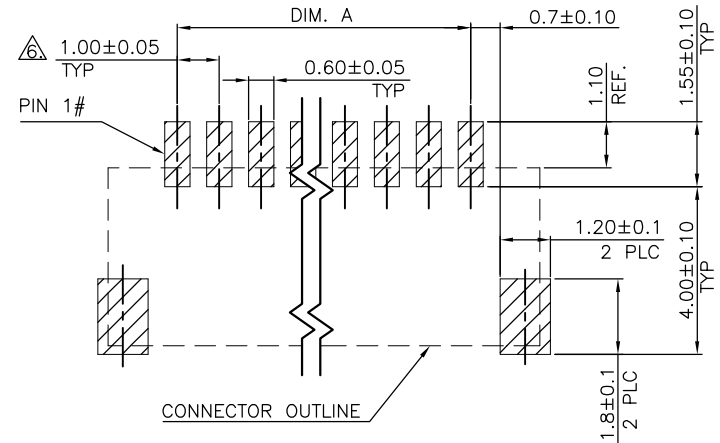
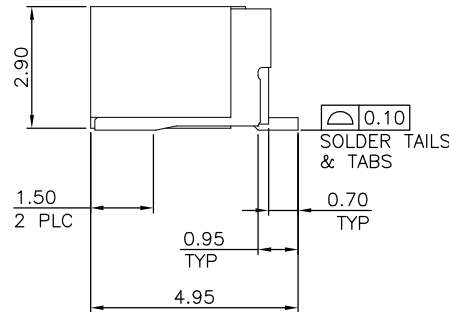
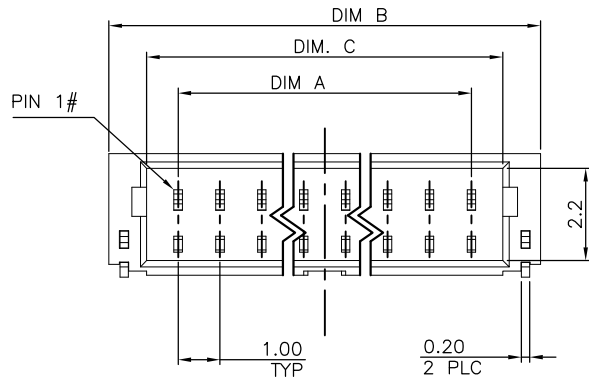
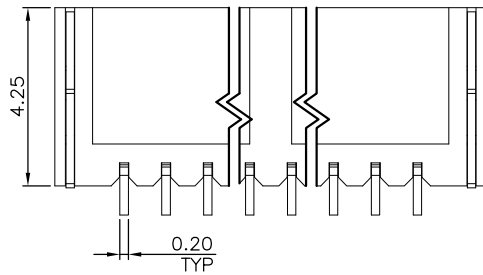


P	LTR	DESCRIPTION	DATE	DWN	APVD
B1		REVISED PER ECO-11-005301	07MAR11	RK	HMR



RECOMMENDED PCB LAYOUT (COMPONENT SIDE) TOLERANCE: ±0.05



- NOTE:
- MATERIAL:  
HOUSING: THERMOPLASTIC WITH 30% G/F, UL 94V-0, NATURE COLOR.  
CONTACTS: PHOSPHOR BRONZE.  
TABS: BRASS.
  - FINISH:  
CONTACT: 3.048 μm (120 μ") MIN. MATTE-TIN OVER  
1.27 μm (50 μ") MIN. NICKEL ON ENTIRE CONTACT.  
TABS: 3.048 μm (120 μ") MIN. MATTE-TIN OVER  
1.27 μm (50 μ") MIN. NICKEL ON ENTIRE CONTACT.
  - REFLOW SOLDER CAPABLE TO 260°C PER TE CONNECTIVITY SPEC. 109-201, CONDITION B.
  - NO TE LOGO AND DATE CODE ON THE PRODUCT.
  - PART NO. OF RECEPTACLE CONTACT & HOUSING (BASE NO.#): 1734597 & 1470364.
- △ NO ACCUMULATE TOLERANCE.

WEIGHT	C	B	A	NO. OF CONTACTS	PART NUMBER
0.21g	15.50	17.30	14.00	15	1-1734709-5
0.20g	14.50	16.30	13.00	14	1-1734709-4
0.19g	13.50	15.30	12.00	13	1-1734709-3
0.17g	12.50	14.30	11.00	12	1-1734709-2
0.16g	11.50	13.30	10.00	11	1-1734709-1
0.15g	10.50	12.30	9.00	10	1-1734709-0
0.14g	9.50	11.30	8.00	9	1734709-9
0.12g	8.50	10.30	7.00	8	1734709-8
0.11g	7.50	9.30	6.00	7	1734709-7
0.10g	6.50	8.30	5.00	6	1734709-6
0.09g	5.50	7.30	4.00	5	1734709-5
0.08g	4.50	6.30	3.00	4	1734709-4
0.07g	3.50	5.30	2.00	3	1734709-3
0.05g	2.50	4.30	1.00	2	1734709-2

THIS DRAWING IS A CONTROLLED DOCUMENT.

DWN: F. YANG 10APR2009  
CHK: S. CHIEN 10APR2009  
APVD: W. KODAMA 10APR2009

NAME: W. KODAMA

PRODUCT SPEC: 108-57264

QUALIFICATION TEST REPORT: 501-57283

WEIGHT: SEE TABLE

CUSTOMER DRAWING

DIMENSIONS: MM

TOLERANCES UNLESS OTHERWISE SPECIFIED:

0 PLC	±
1 PLC	±
2 PLC	± 0.25
3 PLC	± 0.15
4 PLC	±
ANGLES	± 5°

MATERIAL: SEE NOTE

FINISH: SEE NOTE

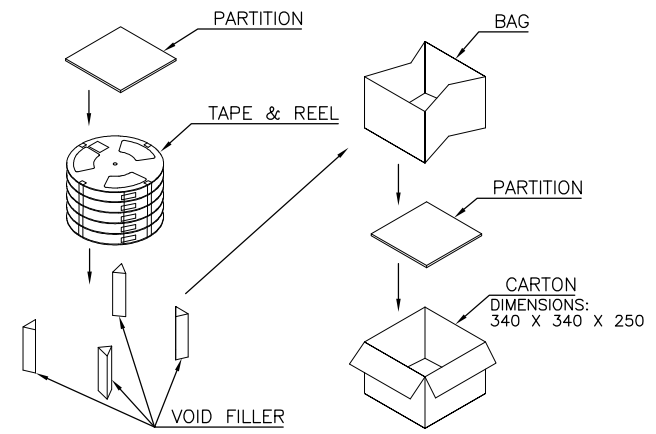
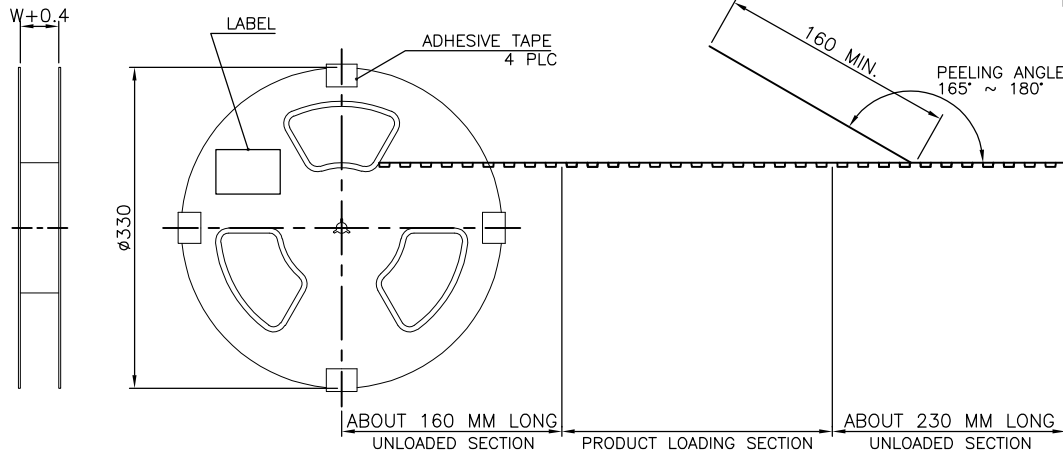
**STE** TE Connectivity

WIRE TO BOARD CONNECTOR  
SIDE ENTRY, SINGLE ROW, SMT TYPE

SIZE: A3 CAGE CODE: 00779 DRAWING NO: 1734709 RESTRICTED TO: -

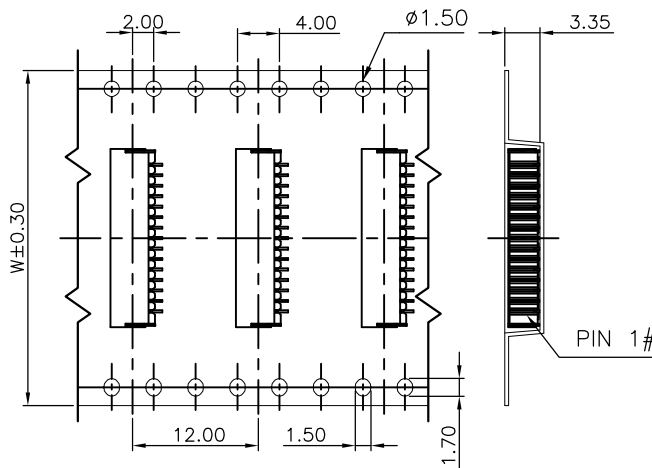
SCALE: - SHEET: 1 OF 3 REV: B1

P	LTR	DESCRIPTION	DATE	DWN	APVD
-	-	SEE SHEET 1.	-	-	-

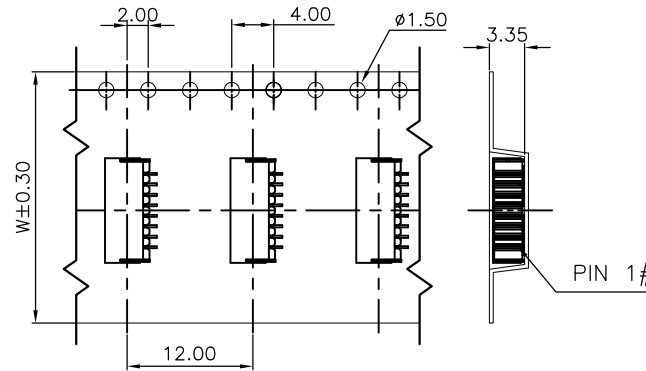


PULL OUT DIRECTION →

PULL OUT DIRECTION →



CARRIER FOR 15 PIN



CARRIER FOR 2 TO 5 PIN & 7 TO 14 PIN

PCS/REEL	REELS/CARTON	QUANTITY	DIM W	G/W (KG)	N/W (KG)	NO. OF POS.
1500	6	9000	32	5.48	1.89	15
				5.58	2.10	14
				5.48	2.00	13
				5.27	1.79	12
				5.16	1.68	11
				5.06	1.58	10
10	10500	24	4.95	1.47	09	
			4.66	1.26	08	
			4.64	1.16	07	
10	15000	16	5.75	1.35	05	
			5.60	1.20	04	
			5.45	1.05	03	
				5.15	0.75	02

THIS DRAWING IS A CONTROLLED DOCUMENT.

**TE Connectivity**

WIRE TO BOARD CONNECTOR  
SIDE ENTRY, SINGLE ROW, SMT TYPE

DIMENSIONS: MM	TOLERANCES UNLESS OTHERWISE SPECIFIED:	APVD	NAME
$\phi$	0 PLC ±	PRODUCT SPEC	
	1 PLC ±	QUALIFICATION TEST REPORT	
	2 PLC ±	WEIGHT	
	3 PLC ±		
	4 PLC ±		
	ANGLES ±		
MATERIAL	FINISH	SIZE	CAGE CODE
SEE NOTE	SEE NOTE	A3	00779
		DRAWING NO	RESTRICTED TO
		G-1734709	
		CUSTOMER DRAWING	SCALE
			SHEET 2 of 3
			REV B1

THIS DRAWING IS UNPUBLISHED.

RELEASED FOR PUBLICATION

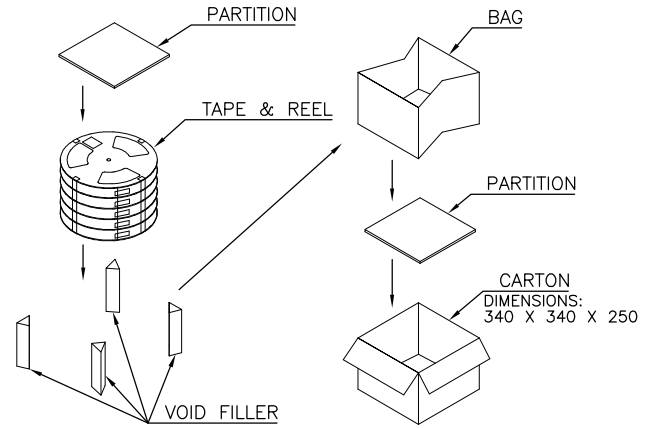
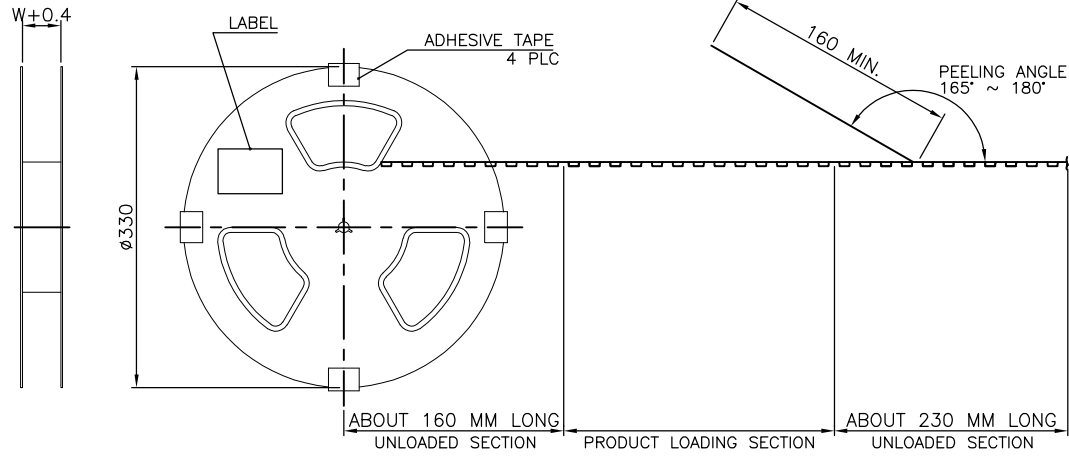
ALL RIGHTS RESERVED.

LOC DW

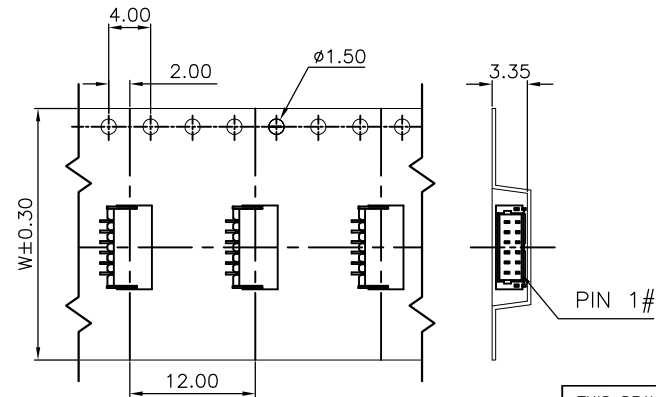
DIST

REVISIONS

P	LTR	DESCRIPTION	DATE	DWN	APVD
-	-	SEE SHEET 1.	-	-	-



PULL OUT DIRECTION



CARRIER FOR 6 PIN

2000	10	20000	16	6.40	2.00	06
PCS/REEL	REELS/CARTON	QUANTITY	DIM W	G/W (KG)	N/W (KG)	NO. OF POS.

THIS DRAWING IS A CONTROLLED DOCUMENT.

DWN:  CHK:  APVD:

**STE** TE Connectivity

NAME: WIRE TO BOARD CONNECTOR SIDE ENTRY, SINGLE ROW, SMT TYPE

PRODUCT SPEC:  QUALIFICATION TEST REPORT:

MATERIAL: SEE NOTE FINISH: SEE NOTE

SIZE: A3 CAGE CODE: 00779 DRAWING NO: 1734709 RESTRICTED TO:

CUSTOMER DRAWING SCALE:  SHEET: 3 of 3 REV: B1

## X-ON Electronics

Largest Supplier of Electrical and Electronic Components

*Click to view similar products for [Headers & Wire Housings](#) category:*

*Click to view products by [TE Connectivity](#) manufacturer:*

Other Similar products are found below :

[892-18-020-10-001101](#) [58102-G61-06LF](#) [582553-1](#) [0009485154](#) [009176003701906](#) [0050291907](#) [LY20-4P-DT1-P1E-BR](#) [02.125.8002.8](#)  
[609-3404](#) [61062-3](#) [61082-181009](#) [622-3653LF](#) [63453-116](#) [636-1030](#) [636-1427](#) [636-3427](#) [636-4007](#) [641938-9](#) [641991-4](#) [644827-2](#) [65817-](#)  
[010LF](#) [65817-015LF](#) [65863-015LF](#) [66207-023LF](#) [67095-007LF](#) [67601157](#) [68645-018](#) [68648-049](#) [70.362.1628.0](#) [70-4210](#) [70-4226B](#) [70-](#)  
[4853B](#) [707-5020](#) [707-5028](#) [71.350.2428.0](#) [71918-208LF](#) [71961-016LF](#) [733-134](#) [733-162](#) [754199-000](#) [760-3052](#) [787-8014-00](#) [79531-3000](#)  
[FCN-360C032-B](#) [FCN-367T-T012/H](#) [FCN-723D010/2](#) [80.063.4001.1](#) [800-90-001-10-001000](#) [800-90-010-10-002000](#) [801-43-002-10-013000](#)