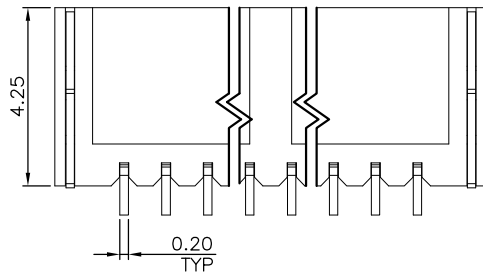
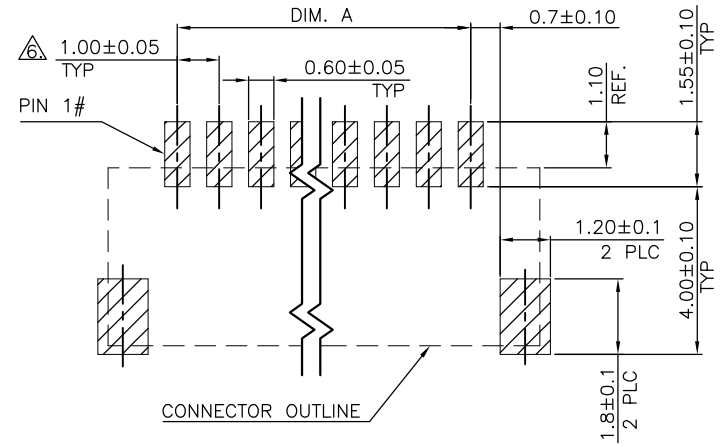
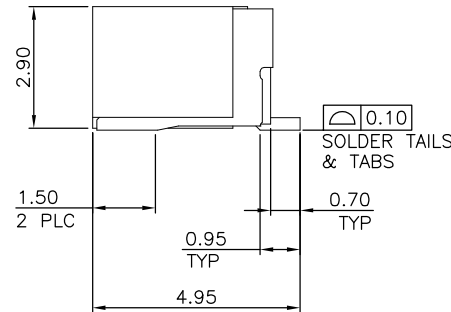
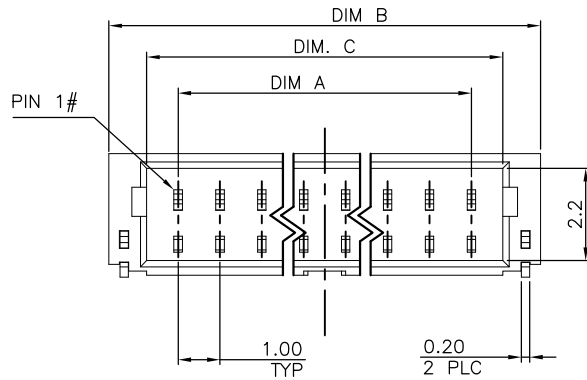



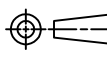
P	LTR	DESCRIPTION	DATE	DWN	APVD
B1		REVISED PER ECO-11-005301	07MAR11	RK	HMR

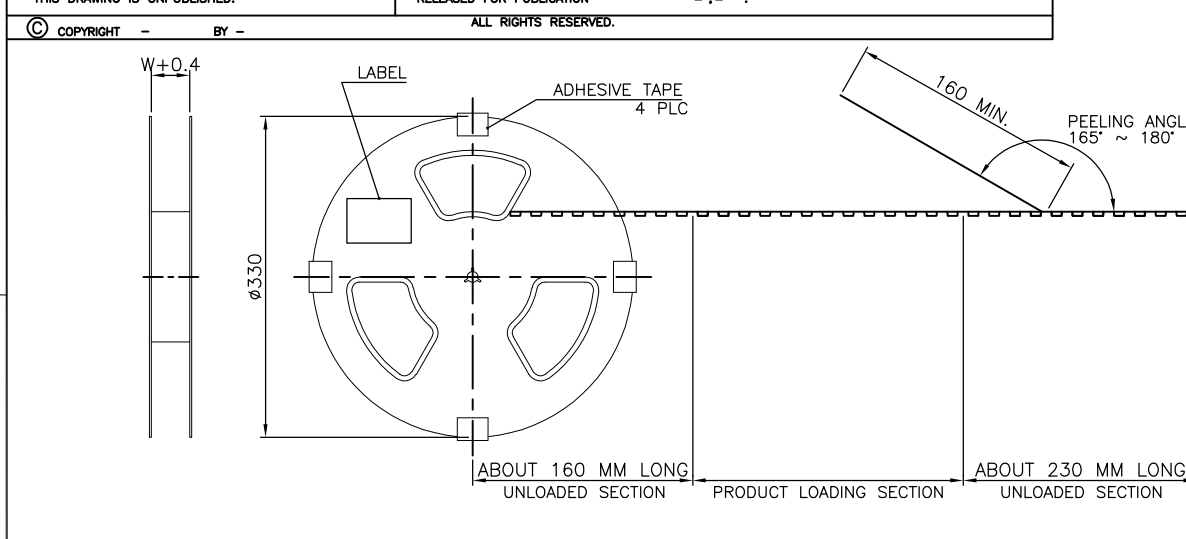


- NOTE:
- MATERIAL:  
HOUSING: THERMOPLASTIC WITH 30% G/F, UL 94V-0, NATURE COLOR.  
CONTACTS: PHOSPHOR BRONZE.  
TABS: BRASS.
  - FINISH:  
CONTACT: 3.048µm (120µ") MIN. MATTE-TIN OVER  
1.27µm (50µ") MIN. NICKEL ON ENTIRE CONTACT.  
TABS: 3.048µm (120µ") MIN. MATTE-TIN OVER  
1.27µm (50µ") MIN. NICKEL ON ENTIRE CONTACT.
  - REFLOW SOLDER CAPABLE TO 260°C PER TE CONNECTIVITY SPEC. 109-201, CONDITION B.
  - NO TE LOGO AND DATE CODE ON THE PRODUCT.
  - PART NO. OF RECEPTACLE CONTACT & HOUSING (BASE NO.#): 1734597 & 1470364.
- △ NO ACCUMULATE TOLERANCE.

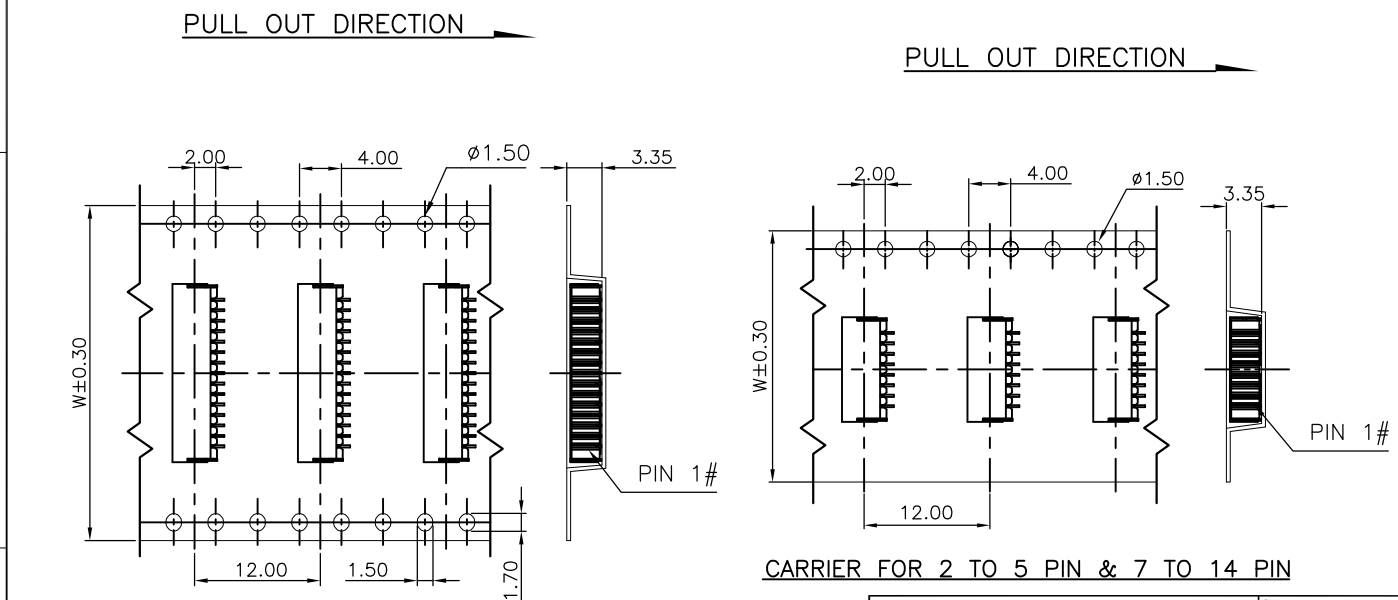
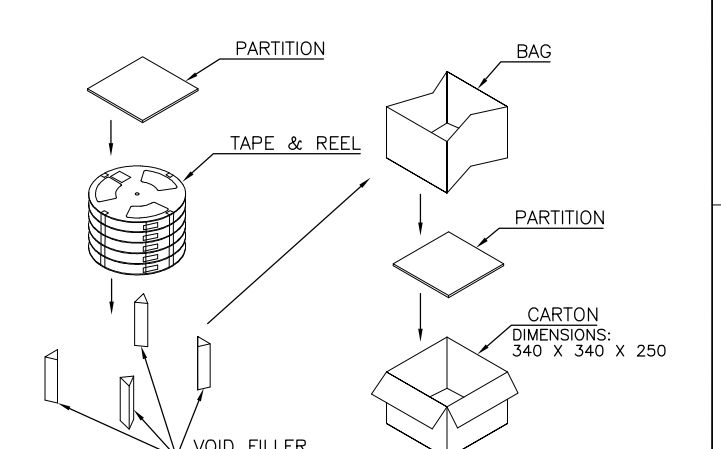
WEIGHT	C	B	A	NO. OF CONTACTS	PART NUMBER
0.21g	15.50	17.30	14.00	15	1-1734709-5
0.20g	14.50	16.30	13.00	14	1-1734709-4
0.19g	13.50	15.30	12.00	13	1-1734709-3
0.17g	12.50	14.30	11.00	12	1-1734709-2
0.16g	11.50	13.30	10.00	11	1-1734709-1
0.15g	10.50	12.30	9.00	10	1-1734709-0
0.14g	9.50	11.30	8.00	9	1734709-9
0.12g	8.50	10.30	7.00	8	1734709-8
0.11g	7.50	9.30	6.00	7	1734709-7
0.10g	6.50	8.30	5.00	6	1734709-6
0.09g	5.50	7.30	4.00	5	1734709-5
0.08g	4.50	6.30	3.00	4	1734709-4
0.07g	3.50	5.30	2.00	3	1734709-3
0.05g	2.50	4.30	1.00	2	1734709-2

THIS DRAWING IS A CONTROLLED DOCUMENT.

DWN F. YANG 10APR2009	 TE Connectivity
CHK S. CHIEN 10APR2009	
APVD W. KODAMA 10APR2009	
DIMENSIONS: MM 	NAME WIRE TO BOARD CONNECTOR SIDE ENTRY, SINGLE ROW, SMT TYPE
TOLERANCES UNLESS OTHERWISE SPECIFIED: 0 PLC ± - 1 PLC ± - 2 PLC ± 0.25 3 PLC ± 0.15 4 PLC ± - ANGLES ± 5°	PRODUCT SPEC 108-57264 QUALIFICATION TEST REPORT 501-57283
MATERIAL SEE NOTE	FINISH SEE NOTE WEIGHT SEE TABLE CUSTOMER DRAWING
SIZE: A3    CAGE CODE: 00779    DRAWING NO: 1734709    RESTRICTED TO: -	
SCALE: -    SHEET: 1 OF 3    REV: B1	



P	LTR	DESCRIPTION	DATE	DWN	APVD
-	-	SEE SHEET 1.	-	-	-



PCS/REEL	REELS/CARTON	QUANTITY	DIM W	G/W (KG)	N/W (KG)	NO. OF POS.
1500	6	9000	32	5.48	1.89	15
				5.58	2.10	14
				5.48	2.00	13
				5.27	1.79	12
				5.16	1.68	11
				5.06	1.58	10
10	15000	16	4.95	1.47	09	
			4.66	1.26	08	
			4.64	1.16	07	
				5.75	1.35	05
				5.60	1.20	04
				5.45	1.05	03
				5.15	0.75	02

CARRIER FOR 2 TO 5 PIN & 7 TO 14 PIN

THIS DRAWING IS A CONTROLLED DOCUMENT.

**TE Connectivity**

WIRE TO BOARD CONNECTOR  
SIDE ENTRY, SINGLE ROW, SMT TYPE

APVD: \_\_\_\_\_ NAME: \_\_\_\_\_

PRODUCT SPEC: \_\_\_\_\_

QUALIFICATION TEST REPORT: \_\_\_\_\_

MATERIAL: SEE NOTE FINISH: SEE NOTE

SIZE: A3 CAGE CODE: 00779 DRAWING NO: 1734709 RESTRICTED TO: \_\_\_\_\_

CUSTOMER DRAWING SCALE: \_\_\_\_\_ SHEET: 2 of 3 REV: B1

THIS DRAWING IS UNPUBLISHED.

RELEASED FOR PUBLICATION

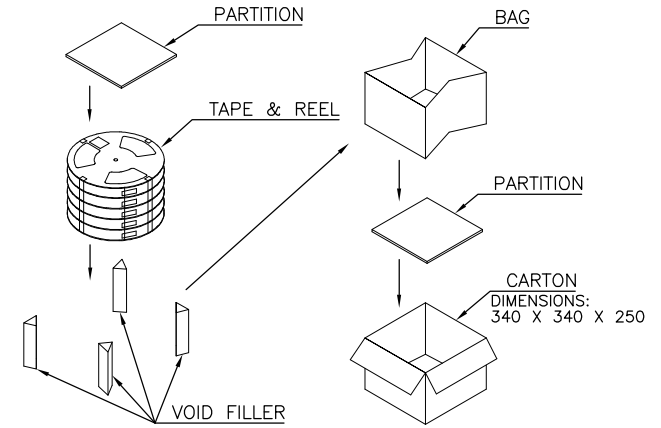
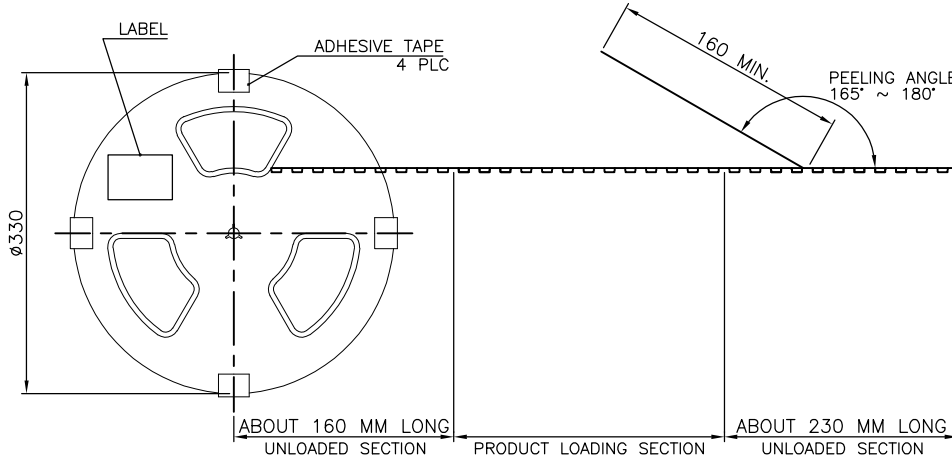
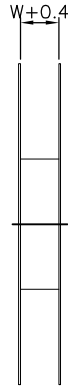
ALL RIGHTS RESERVED.

LOC DW

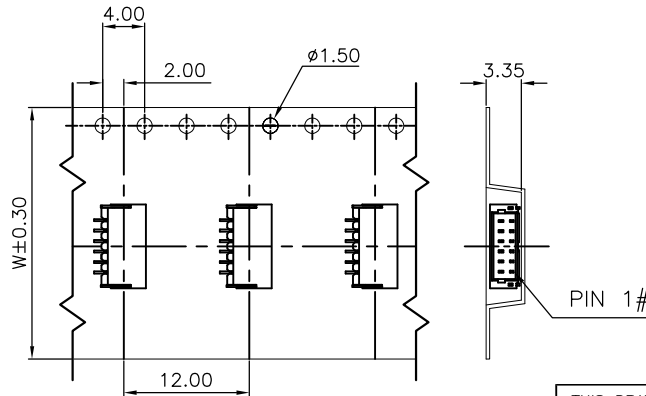
DIST

REVISIONS

P	LTR	DESCRIPTION	DATE	DWN	APVD
-	-	SEE SHEET 1.	-	-	-



PULL OUT DIRECTION



CARRIER FOR 6 PIN

2000	10	20000	16	6.40	2.00	06
PCS/REEL	REELS/CARTON	QUANTITY	DIM W	G/W (KG)	N/W (KG)	NO. OF POS.

THIS DRAWING IS A CONTROLLED DOCUMENT.		DWN	TE Connectivity			
		CHK				
DIMENSIONS: MM		APVD	NAME			
TOLERANCES UNLESS OTHERWISE SPECIFIED:		PRODUCT SPEC	WIRE TO BOARD CONNECTOR SIDE ENTRY, SINGLE ROW, SMT TYPE			
0 PLC ± -		QUALIFICATION TEST REPORT	SIZE CAGE CODE DRAWING NO RESTRICTED TO			
1 PLC ± -		WEIGHT	A3 00779 C-1734709			
2 PLC ± -		MATERIAL	SCALE SHEET 3 of 3 REV B1			
3 PLC ± -		FINISH				
4 PLC ± -		MATERIAL				
ANGLES ± -		FINISH				
MATERIAL SEE NOTE		FINISH				
FINISH SEE NOTE		FINISH				
CUSTOMER DRAWING		FINISH				

## X-ON Electronics

Largest Supplier of Electrical and Electronic Components

*Click to view similar products for [Headers & Wire Housings](#) category:*

*Click to view products by [TE Connectivity](#) manufacturer:*

Other Similar products are found below :

[892-18-020-10-001101](#) [58102-G61-06LF](#) [582553-1](#) [0009485154](#) [009176003701906](#) [0050291907](#) [LY20-4P-DT1-P1E-BR](#) [02.125.8002.8](#)  
[609-3404](#) [61062-3](#) [61082-181009](#) [622-3653LF](#) [63453-116](#) [636-1030](#) [636-1427](#) [636-3427](#) [636-4007](#) [641938-9](#) [641991-4](#) [644827-2](#) [65817-](#)  
[010LF](#) [65817-015LF](#) [65863-015LF](#) [66207-023LF](#) [67095-007LF](#) [67601157](#) [68645-018](#) [68648-049](#) [70.362.1628.0](#) [70-4210](#) [70-4226B](#) [70-](#)  
[4853B](#) [707-5020](#) [707-5028](#) [71.350.2428.0](#) [71918-208LF](#) [71961-016LF](#) [733-134](#) [733-162](#) [754199-000](#) [760-3052](#) [79531-3000](#) [FCN-](#)  
[360C032-B](#) [FCN-367T-T012/H](#) [FCN-723D010/2](#) [80.063.4001.1](#) [800-90-010-10-002000](#) [801-43-002-10-013000](#) [801-43-006-10-002000](#)  
[801-93-011-10-001000](#)