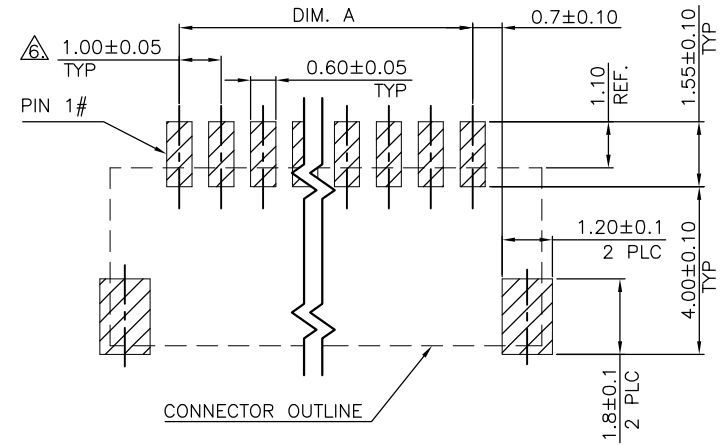
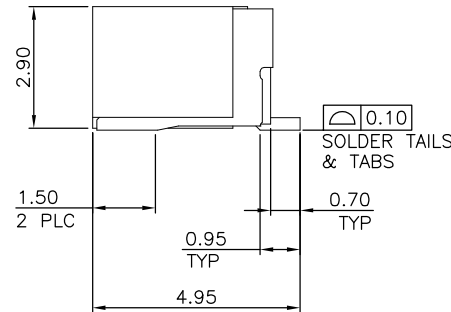
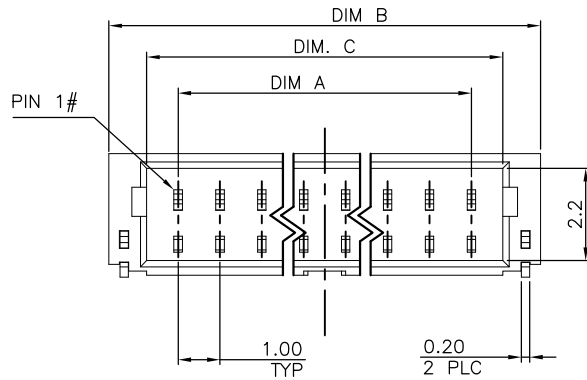
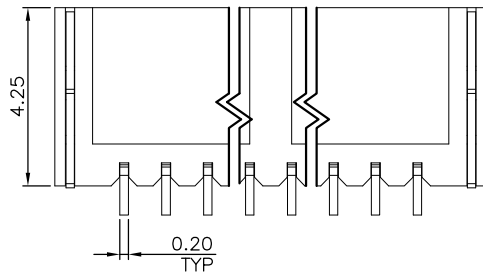


P	LTR	DESCRIPTION	DATE	DWN	APVD
B1		REVISED PER ECO-11-005301	07MAR11	RK	HMR



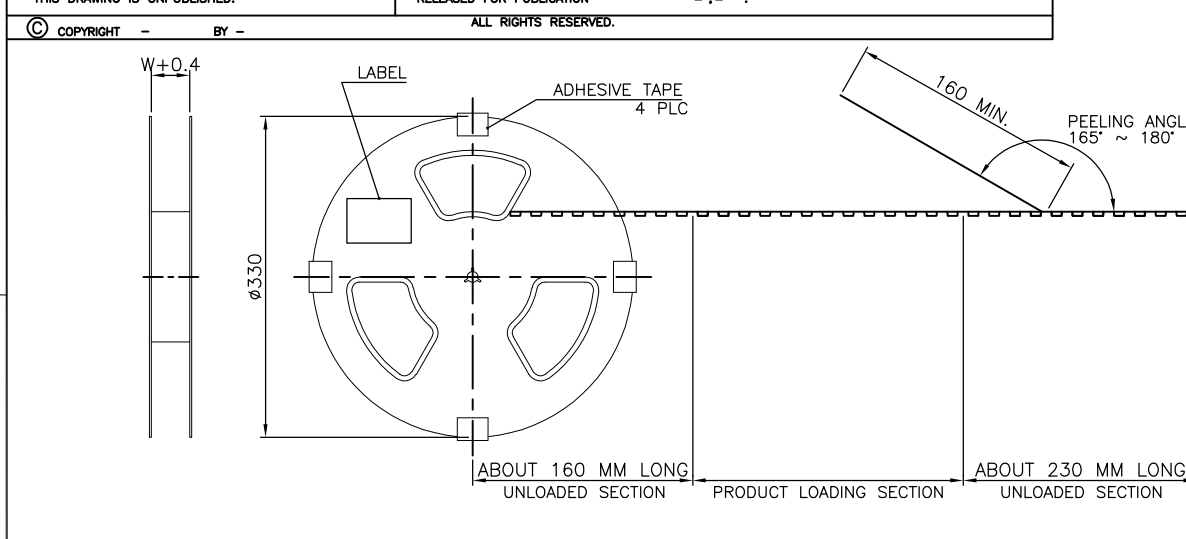
RECOMMENDED PCB LAYOUT  
(COMPONENT SIDE) TOLERANCE: ±0.05



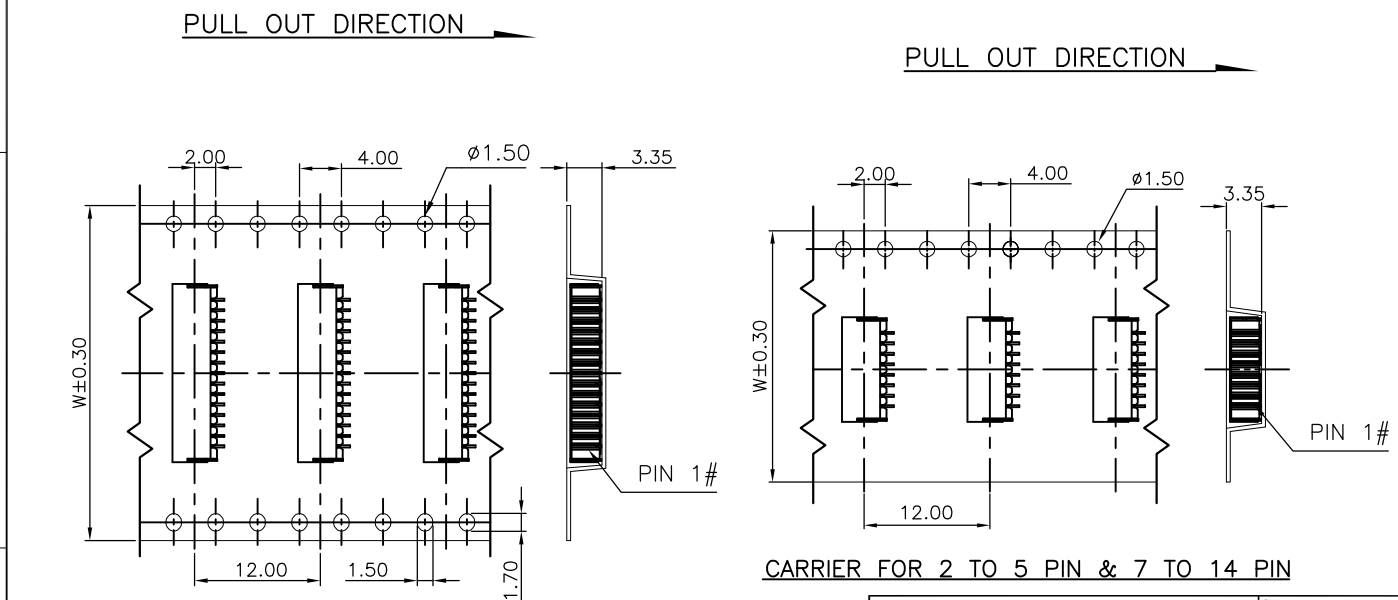
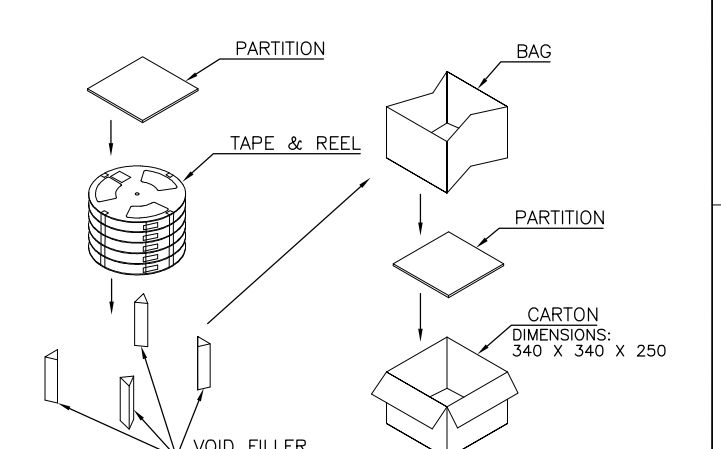
- NOTE:
- MATERIAL:  
HOUSING: THERMOPLASTIC WITH 30% G/F, UL 94V-0, NATURE COLOR.  
CONTACTS: PHOSPHOR BRONZE.  
TABS: BRASS.
  - FINISH:  
CONTACT: 3.048µm (120µ") MIN. MATTE-TIN OVER  
1.27µm (50µ") MIN. NICKEL ON ENTIRE CONTACT.  
TABS: 3.048µm (120µ") MIN. MATTE-TIN OVER  
1.27µm (50µ") MIN. NICKEL ON ENTIRE CONTACT.
  - REFLOW SOLDER CAPABLE TO 260°C PER TE CONNECTIVITY SPEC. 109-201, CONDITION B.
  - NO TE LOGO AND DATE CODE ON THE PRODUCT.
  - PART NO. OF RECEPTACLE CONTACT & HOUSING (BASE NO.#): 1734597 & 1470364.
- △ NO ACCUMULATE TOLERANCE.

0.21g	15.50	17.30	14.00	15	1-1734709-5
0.20g	14.50	16.30	13.00	14	1-1734709-4
0.19g	13.50	15.30	12.00	13	1-1734709-3
0.17g	12.50	14.30	11.00	12	1-1734709-2
0.16g	11.50	13.30	10.00	11	1-1734709-1
0.15g	10.50	12.30	9.00	10	1-1734709-0
0.14g	9.50	11.30	8.00	9	1734709-9
0.12g	8.50	10.30	7.00	8	1734709-8
0.11g	7.50	9.30	6.00	7	1734709-7
0.10g	6.50	8.30	5.00	6	1734709-6
0.09g	5.50	7.30	4.00	5	1734709-5
0.08g	4.50	6.30	3.00	4	1734709-4
0.07g	3.50	5.30	2.00	3	1734709-3
0.05g	2.50	4.30	1.00	2	1734709-2
WEIGHT	DIMENSIONS			NO. OF CONTACTS	PART NUMBER
	C	B	A		

THIS DRAWING IS A CONTROLLED DOCUMENT.		DWN F. YANG 10APR2009			
		CHK S. CHIEN 10APR2009			
DIMENSIONS: MM		APVD W. KODAMA 10APR2009	NAME		
		PRODUCT SPEC 108-57264	WIRE TO BOARD CONNECTOR SIDE ENTRY, SINGLE ROW, SMT TYPE		
MATERIAL SEE NOTE		QUALIFICATION TEST REPORT 501-57283	SIZE A3	CAGE CODE 00779	DRAWING NO 1734709
FINISH SEE NOTE		WEIGHT SEE TABLE	RESTRICTED TO	SCALE	SHEET 1 OF 3
		CUSTOMER DRAWING			REV B1



P	LTR	DESCRIPTION	DATE	DWN	APVD
-	-	SEE SHEET 1.	-	-	-



PCS/REEL	REELS/CARTON	QUANTITY	DIM W	G/W (KG)	N/W (KG)	NO. OF POS.
1500	6	9000	32	5.48	1.89	15
				5.58	2.10	14
				5.48	2.00	13
				5.27	1.79	12
				5.16	1.68	11
				5.06	1.58	10
1500	7	10500	24	4.95	1.47	09
				4.66	1.26	08
				4.64	1.16	07
				5.75	1.35	05
1500	10	15000	16	5.60	1.20	04
				5.45	1.05	03
				5.15	0.75	02

CARRIER FOR 2 TO 5 PIN & 7 TO 14 PIN

THIS DRAWING IS A CONTROLLED DOCUMENT.

**TE Connectivity**

WIRE TO BOARD CONNECTOR  
SIDE ENTRY, SINGLE ROW, SMT TYPE

APVD: \_\_\_\_\_ NAME: \_\_\_\_\_

PRODUCT SPEC: \_\_\_\_\_

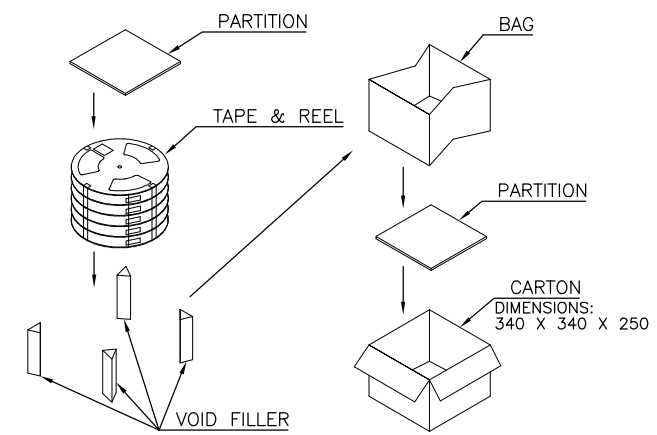
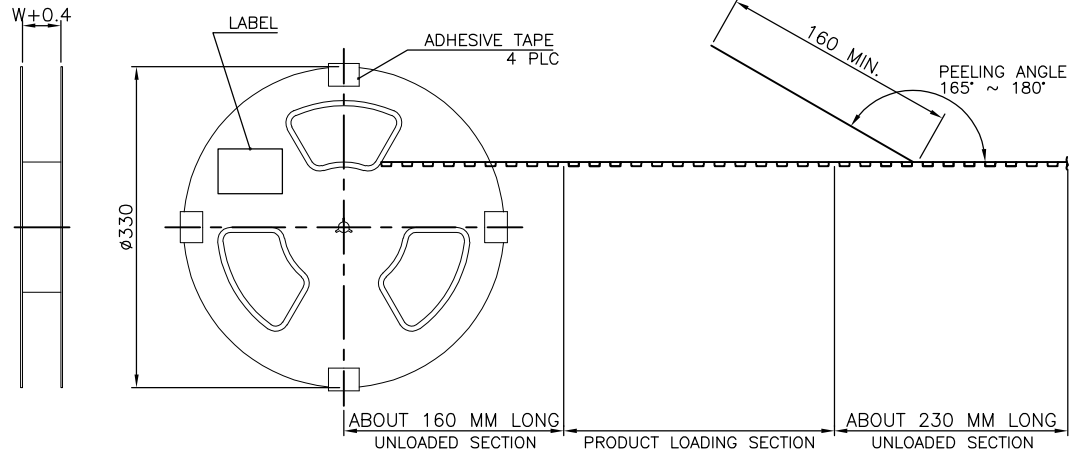
QUALIFICATION TEST REPORT: \_\_\_\_\_

MATERIAL: SEE NOTE FINISH: SEE NOTE

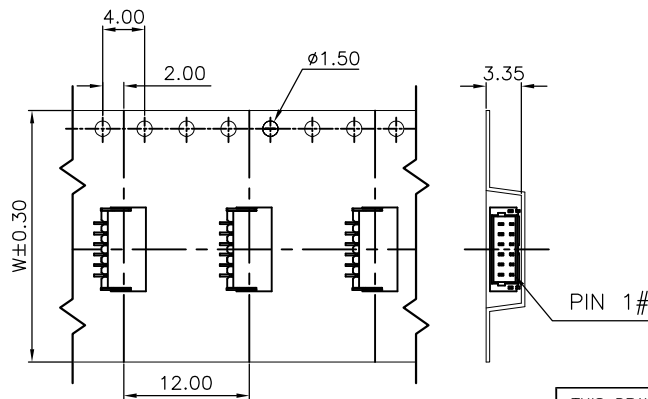
SIZE: A3 CAGE CODE: 00779 DRAWING NO: 1734709 RESTRICTED TO: \_\_\_\_\_

CUSTOMER DRAWING SCALE: \_\_\_\_\_ SHEET: 2 of 3 REV: B1

P	LTR	DESCRIPTION	DATE	DWN	APVD
-	-	SEE SHEET 1.	-	-	-



PULL OUT DIRECTION



CARRIER FOR 6 PIN

2000	10	20000	16	6.40	2.00	06
PCS/REEL	REELS/CARTON	QUANTITY	DIM W	G/W (KG)	N/W (KG)	NO. OF POS.

THIS DRAWING IS A CONTROLLED DOCUMENT.		DWN	<b>STE</b> TE Connectivity			
DIMENSIONS: MM		CHK				
TOLERANCES UNLESS OTHERWISE SPECIFIED:		APVD	NAME			
0 PLC ± -		PRODUCT SPEC	WIRE TO BOARD CONNECTOR SIDE ENTRY, SINGLE ROW, SMT TYPE			
1 PLC ± -		-	SIZE			
2 PLC ± -		QUALIFICATION TEST REPORT	CAGE CODE			
3 PLC ± -		-	DRAWING NO			
4 PLC ± -		-	RESTRICTED TO			
ANGLES ± -		WEIGHT	A3 00779 C-1734709			
MATERIAL	FINISH	CUSTOMER DRAWING	SCALE	SHEET	3 of 3	REV B1
SEE NOTE	SEE NOTE					

## X-ON Electronics

Largest Supplier of Electrical and Electronic Components

*Click to view similar products for [Headers & Wire Housings](#) category:*

*Click to view products by [TE Connectivity](#) manufacturer:*

Other Similar products are found below :

[892-18-020-10-001101](#) [58102-G61-06LF](#) [582553-1](#) [0009485154](#) [009176003701906](#) [0050291907](#) [LY20-4P-DT1-P1E-BR](#) [02.125.8002.8](#)  
[609-3404](#) [61062-3](#) [61082-181009](#) [622-3653LF](#) [63453-116](#) [636-1030](#) [636-1427](#) [636-3427](#) [636-4007](#) [641938-9](#) [641991-4](#) [644827-2](#) [65817-010LF](#) [65817-015LF](#) [65863-015LF](#) [66207-023LF](#) [67095-007LF](#) [67601157](#) [68645-018](#) [68648-049](#) [70.362.1628.0](#) [70-4210](#) [70-4226B](#) [70-4853B](#) [707-5020](#) [707-5028](#) [71.350.2428.0](#) [71918-208LF](#) [71961-016LF](#) [733-134](#) [733-162](#) [754199-000](#) [760-3052](#) [787-8014-00](#) [79531-3000](#)  
[FCN-360C032-B](#) [FCN-367T-T012/H](#) [FCN-723D010/2](#) [80.063.4001.1](#) [800-90-001-10-001000](#) [800-90-010-10-002000](#) [801-43-002-10-013000](#)