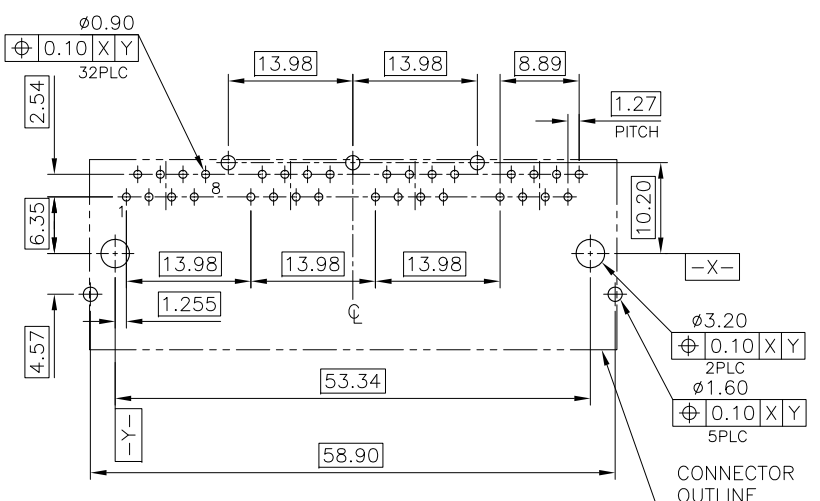
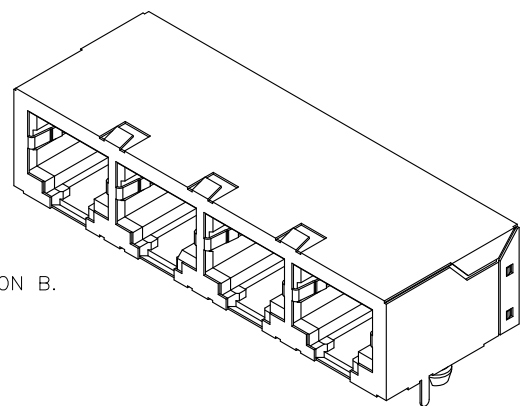


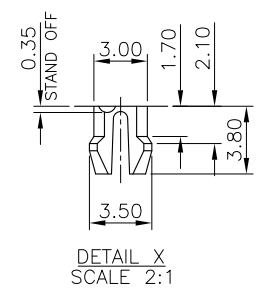
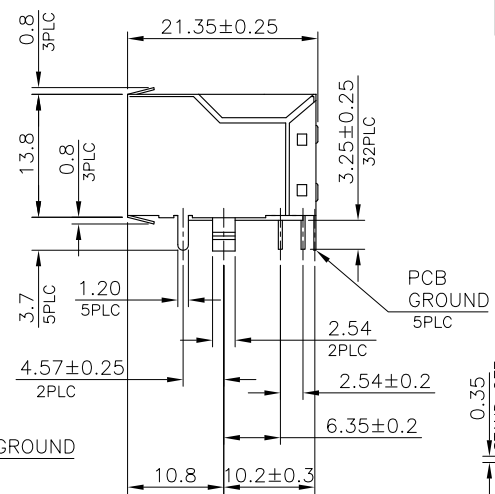
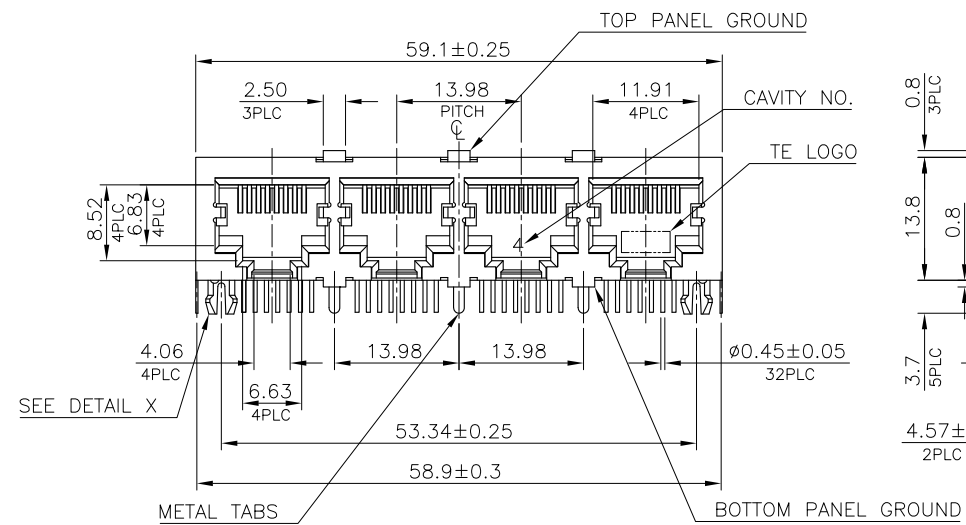
THIS DRAWING IS UNPUBLISHED. RELEASED FOR PUBLICATION
 © COPYRIGHT 2011 BY TYCO ELECTRONICS CORPORATION. ALL RIGHTS RESERVED.

LOC DW	DIST	REVISIONS			DATE	DWN	APVD
		P	LTR	DESCRIPTION			
		A2		ECR-12-012115	26OCT'12	EL	WK

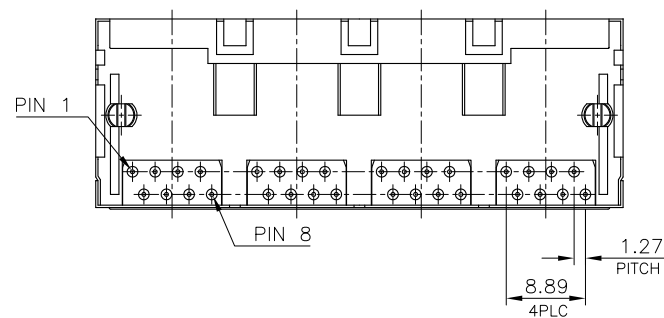
- NOTE:
- MATERIAL:
 - HOUSING: PA46, WITH 30% GF, UL94 V-0, BLACK COLOR.
 - CONTACTS: PHOSPHOR BRONZE.
 - SHELL: BRASS.
 - FINISH:
 - CONTACTS: (SEE TABLE) GOLD PLATED ON CONTACT AREA, 1.27um [50u"] MIN. NICKEL UNDERPLATED OVERALL.
 - SHELL: 0.508um [20u"] MIN. NICKEL PLATED.
PCB GROUND: TIN PLATED.
 - REFLOW SOLDER CAPABLE TO 260°C PER TEC-109-201, CONDITION B.



RECOMMENDED PCB LAYOUT
 RECOMMENDED PCB THICKNESS: 1.6mm.
 TOLERANCE: ±0.05 (TOP VIEW)



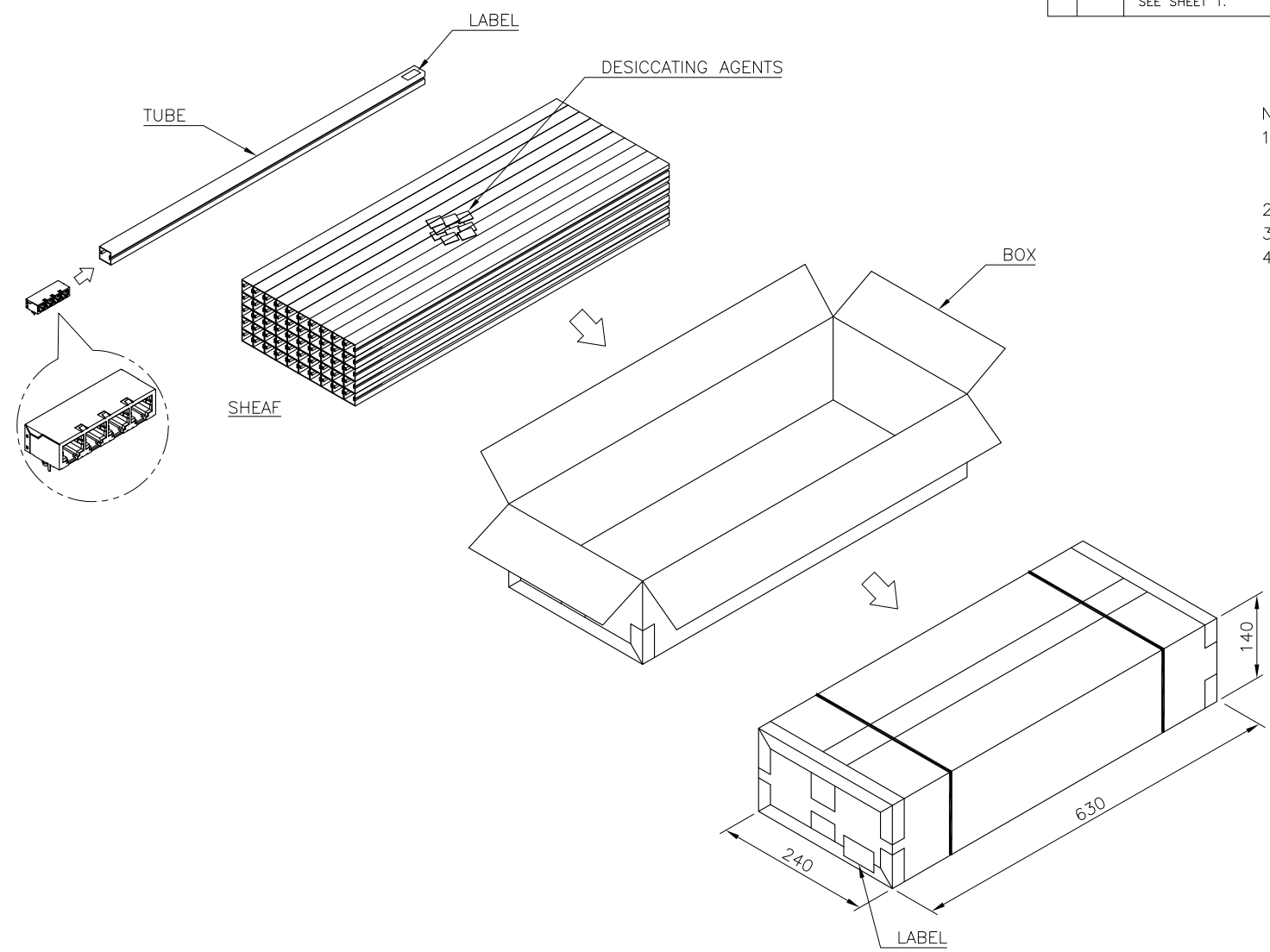
OBSOLETE	TRAY	1.27um[50u"]	1-1734714-4
OBSOLETE		0.76um[30u"]	1-1734714-3
OBSOLETE		0.38um[15u"]	1-1734714-2
OBSOLETE	TUBE	0.15um[6u"]	1-1734714-1
OBSOLETE		1.27um[50u"]	1734714-4
OBSOLETE		0.76um[30u"]	1734714-3
OBSOLETE		0.38um[15u"]	1734714-2
OBSOLETE		0.15um[6u"]	1734714-1
	PACKAGE	MIN. GOLD THICKNESS	PART NUMBER



THIS DRAWING IS A CONTROLLED DOCUMENT.		DWN S. CHIEN 20FEB2008	TE Connectivity	
DIMENSIONS: mm		CHK S. HOU 20FEB2008		
TOLERANCES UNLESS OTHERWISE SPECIFIED:		APVD W. KODAMA 20FEB2008	NAME	
0 PLC ± - 1 PLC ± 0.3 2 PLC ± 0.2 3 PLC ± 0.15 4 PLC ± - ANGLES ± - ± 3°		PRODUCT SPEC 108-57136	MODULAR JACK, RJ45, MULTI-PORT, SHIELDED, THRU-HOLE, PANEL GROUND	
MATERIAL SEE NOTE		APPLICATION SPEC -	SIZE A3	CAGE CODE 00779
FINISH SEE NOTE		WEIGHT 22.41 GRAMS	DRAWING NO C-1734714	RESTRICTED TO -
		CUSTOMER DRAWING		SCALE -
		SHEET 1 OF 2		REV A2

THIS DRAWING IS UNPUBLISHED. RELEASED FOR PUBLICATION
 © COPYRIGHT 2011 BY TYCO ELECTRONICS CORPORATION. ALL RIGHTS RESERVED.

LOC	DIST	REVISIONS					
DW		P	LTR	DESCRIPTION	DATE	DWN	APVD
				SEE SHEET 1.			



- NOTES:
- MATERIAL:
TUBE: PVC.
BOX: CORRUGATED FIBER.
 - DIMENSION: SEE DRAWING
 - QUANTITY: SEE TABLE
 - WEIGHT: SEE TABLE

13.40KG	10.08G	9	50	450
GROSS WEIGHT	NET WEIGHT	PCS/TUBE	TUBES/BOX	PCS/BOX

THIS DRAWING IS A CONTROLLED DOCUMENT.		DWN	-		
DIMENSIONS: mm		CHK	-		
TOLERANCES UNLESS OTHERWISE SPECIFIED:		APVD	-		
0 PLC ± .		PRODUCT SPEC	-		
1 PLC ± 0.3		APPLICATION SPEC	-		
2 PLC ± 0.2		WEIGHT	-		
3 PLC ± 0.15		CUSTOMER DRAWING	-		
4 PLC ± .		SCALE	-		
4 PLC ANGLES ± 3'		SHEET	2 of 2		
MATERIAL	FINISH	REV	A2		

TE Connectivity
 NAME: MODULAR JACK, RJ45, MULTI-PORT, SHIELDED, THRU-HOLE, PANEL GROUND
 SIZE: A3 CAGE CODE: 00779 DRAWING NO: C=1734714 RESTRICTED TO: -

X-ON Electronics

Largest Supplier of Electrical and Electronic Components

Click to view similar products for [Modular Connectors](#) / [Ethernet Connectors](#) category:

Click to view products by [TE Connectivity](#) manufacturer:

Other Similar products are found below :

[8949-H88/06BLKA/SN](#) [74441-0010/BKN](#) [PHP-6P6C-5](#) [GAX-3-66](#) [GAX-8-62](#) [GDCX-PN-66](#) [GLX-A-44](#) [GLX-N-1010M-BLK](#) [GMX-SMT4-N-88](#) [GSGX-N-2-88](#) [GSGX-N-4-88](#) [GSX-NS2-88-3.05](#) [GSX-NS-88-3.68](#) [PT-108A-8C-UL](#) [PTS-J531-8CS-50UL](#) [A-2014-0-4](#) [GWLX-S9-88-YG](#) [DC-1021-8-WH-6](#) [1300530003](#) [1324640-4](#) [RJ11FTVC2G](#) [RJ11FTVC2N](#) [RJFTVX2SA1G](#) [132764-001](#) [1413235](#) [MPS88RX-5000](#) [E5288-S000K3-L](#) [155302-001](#) [AX101050](#) [AX101063](#) [AX101065](#) [AX101072](#) [AX101307](#) [AX101315](#) [AX101318](#) [AX102271](#) [AX102288](#) [AX102651](#) [AX102660](#) [J0012D21NL](#) [J0026D01ENL](#) [PC4D0018P](#) [8949-B88/6](#) [2-6609208-5](#) [937-SP-3088-2PC-A192](#) [303066VFL](#) [303068V](#) [303088LFLSA](#) [303088SBL](#) [30-8603](#)