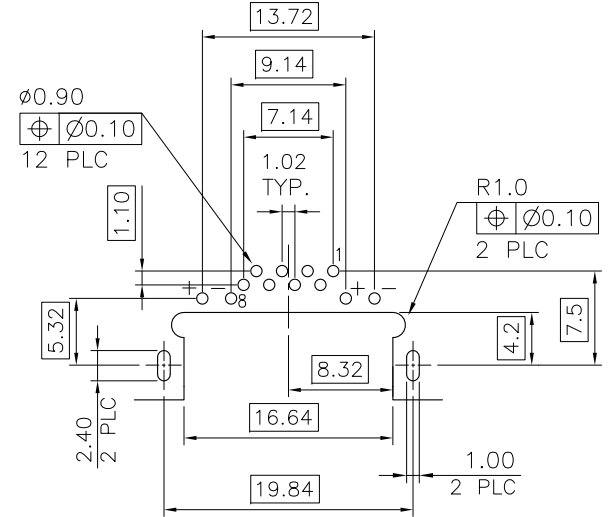
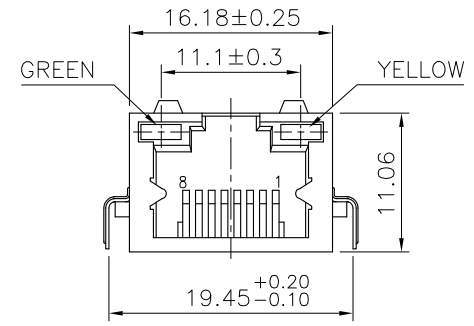
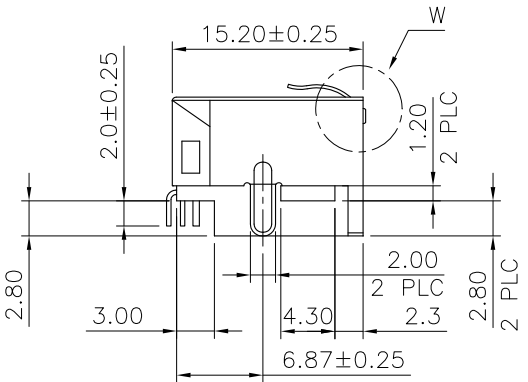
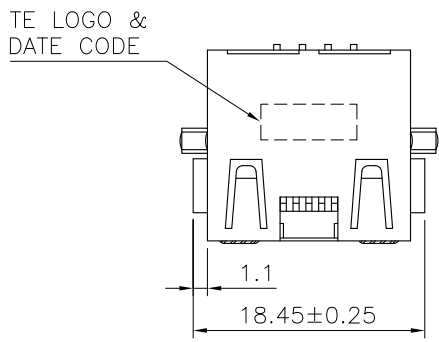
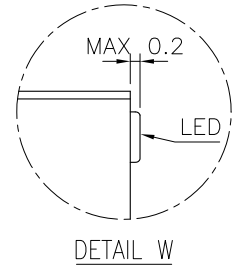
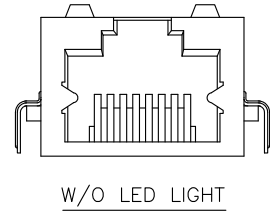
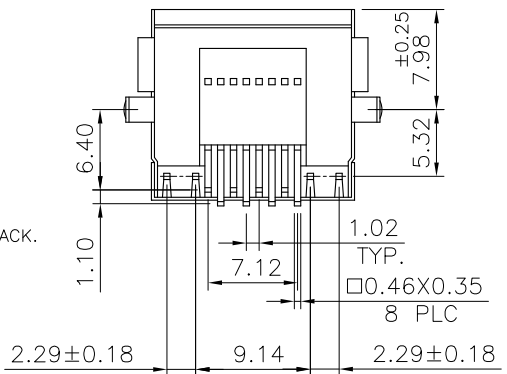


THIS DRAWING IS UNPUBLISHED. RELEASED FOR PUBLICATION
 © COPYRIGHT 2013 BY TE CONNECTIVITY. ALL RIGHTS RESERVED.

LOC	DIST	REVISIONS					
DW	-	P	LTR	DESCRIPTION	DATE	DWN	APVD
		A2		ECR-12-012115	23OCT12	EL	WK



RECOMMENDED PCB LAYOUT (THICKNESS: 1.6mm)
 (DIMENSION TOLERANCE: 1 PLC: ±0.1 2PLC: ±0.05)



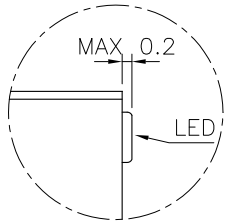
NOTE:

- MATERIAL:
HOUSING: THERMOPLASTIC HIGH TEMP., UL94 V-0, COLOR: BLACK.
CONTACT: PHOSPHOR BRONZE, THICKNESS: 0.35mm.
SHELL: BRASS, THICKNESS: 0.20mm.
LED LIGHT: EPOXY RESIN, THICKNESS: 0.50mm.
 - FINISH:
CONTACT: GOLD PLATED (SEE TABLE) IN CONTACT AREA, GOLD FLASH ON SOLDER TAILS, 50u" MIN. NICKEL UNDER PLATED ALL OVER.
SHELL: 20u" MIN. NICKEL PLATED.
LED LIGHT: 65u" MIN Ag PLATED, 85u" MIN TIN PLATED.
 - LED MUST BE REFLOW COMPATIBLE TO FOLLOWING TEMPERATURE PROFILE (FOR 1 CYCLE): ABOVE 160°C FOR 120 SECONDS, PEAKING AT 245°C FOR 20~40 SECONDS.
 - LED DEFECT RATE IS 6000 PPM MAX. AFTER IR REFLOW PROCESS AS NOTE 3.
 - WAVE SOLDER CAPABLE TO 265°C PER 109-202, CONDITION B.
- ⚠️ OBSOLETE PARTS: OBSOLETE CIS STREAMLINING PER D.RENAUD/D.SINISI

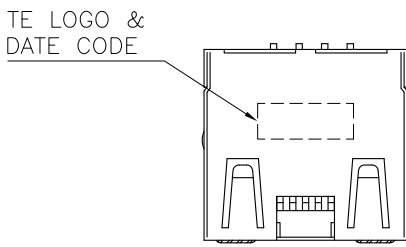
OBSOLETE	REEL	W/O	50μ"	3-1734719-8		
			30μ"	3-1734719-7		
			15μ"	3-1734719-6		
OBSOLETE	REEL	W/	6μ"	3-1734719-5		
			50μ"	3-1734719-4		
			30μ"	3-1734719-3		
OBSOLETE	REEL	W/O	15μ"	3-1734719-2		
			6μ"	3-1734719-1		
			50μ"	1734719-8		
OBSOLETE	TRAY	W/O	30μ"	1734719-7		
			15μ"	1734719-6		
			6μ"	1734719-5		
OBSOLETE	TRAY	W/	50μ"	1734719-4		
			30μ"	1734719-3		
			15μ"	1734719-2		
			6μ"	1734719-1		
			PACKAGE	LED LIGHT	MIN. GOLD THICKNESS	PART NUMBER

THIS DRAWING IS A CONTROLLED DOCUMENT.

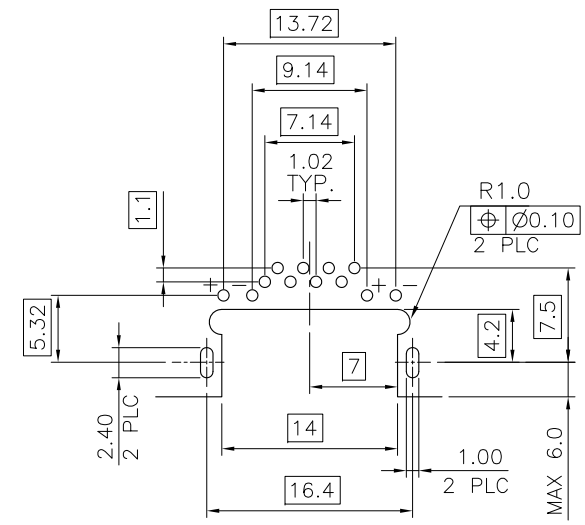
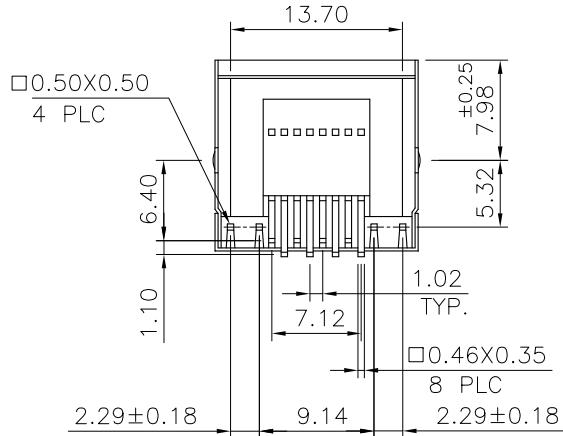
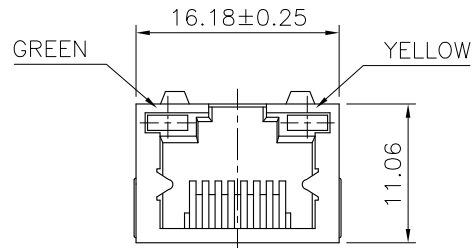
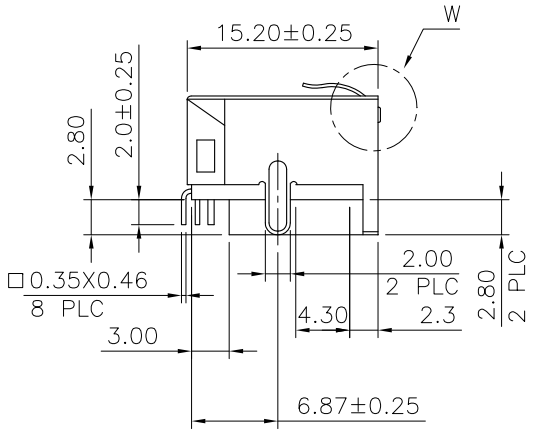
DIMENSIONS: MM	TOLERANCES UNLESS OTHERWISE SPECIFIED:	DWN O. HU 13DEC2005	TE Connectivity MODULAR JACK, RJ45, SINGLE ENTRY, DIP TYPE
	0 PLC ± 0.5	CHK S. HOU 13DEC2005	
	1 PLC ± 0.3	APVD W.J. KE 13DEC2005	
	2 PLC ± 0.2	NAME 108-57535	
MATERIAL	FINISH	PRODUCT SPEC	SIZE CAGE CODE DRAWING NO RESTRICTED TO
SEE NOTE	SEE NOTE	APPLICATION SPEC	WEIGHT 3 GRAMS A3 00779 C=1734719
		ANGLES ± - ± 3'	CUSTOMER DRAWING SCALE SHEET 1 OF 4 REV A2



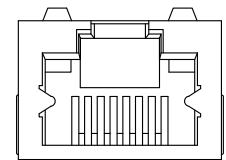
DETAIL W



TE LOGO & DATE CODE



RECOMMENDED PCB LAYOUT (THICKNESS: 1.6mm)
 (DIMENSION TOLERANCE: 1 PLC: ±0.1 2PLC: ±0.05)



W/O LED LIGHT

PACKAGE	LED LIGHT	MIN. GOLD THICKNESS	PART NUMBER
OBSOLETE	REEL	W/O	50µ" 2-1734719-8
			30µ" 2-1734719-7
			15µ" 2-1734719-6
OBSOLETE	REEL	W/	6µ" 2-1734719-5
			50µ" 2-1734719-4
			30µ" 2-1734719-3
OBSOLETE	TRAY	W/O	50µ" 1-1734719-8
			30µ" 1-1734719-7
			15µ" 1-1734719-6
		W/	6µ" 1-1734719-1
			50µ" 1-1734719-5
			30µ" 1-1734719-4
OBSOLETE	TRAY	W/	15µ" 1-1734719-3
			6µ" 1-1734719-2
			15µ" 1-1734719-2
OBSOLETE	TRAY	W/	6µ" 1-1734719-1

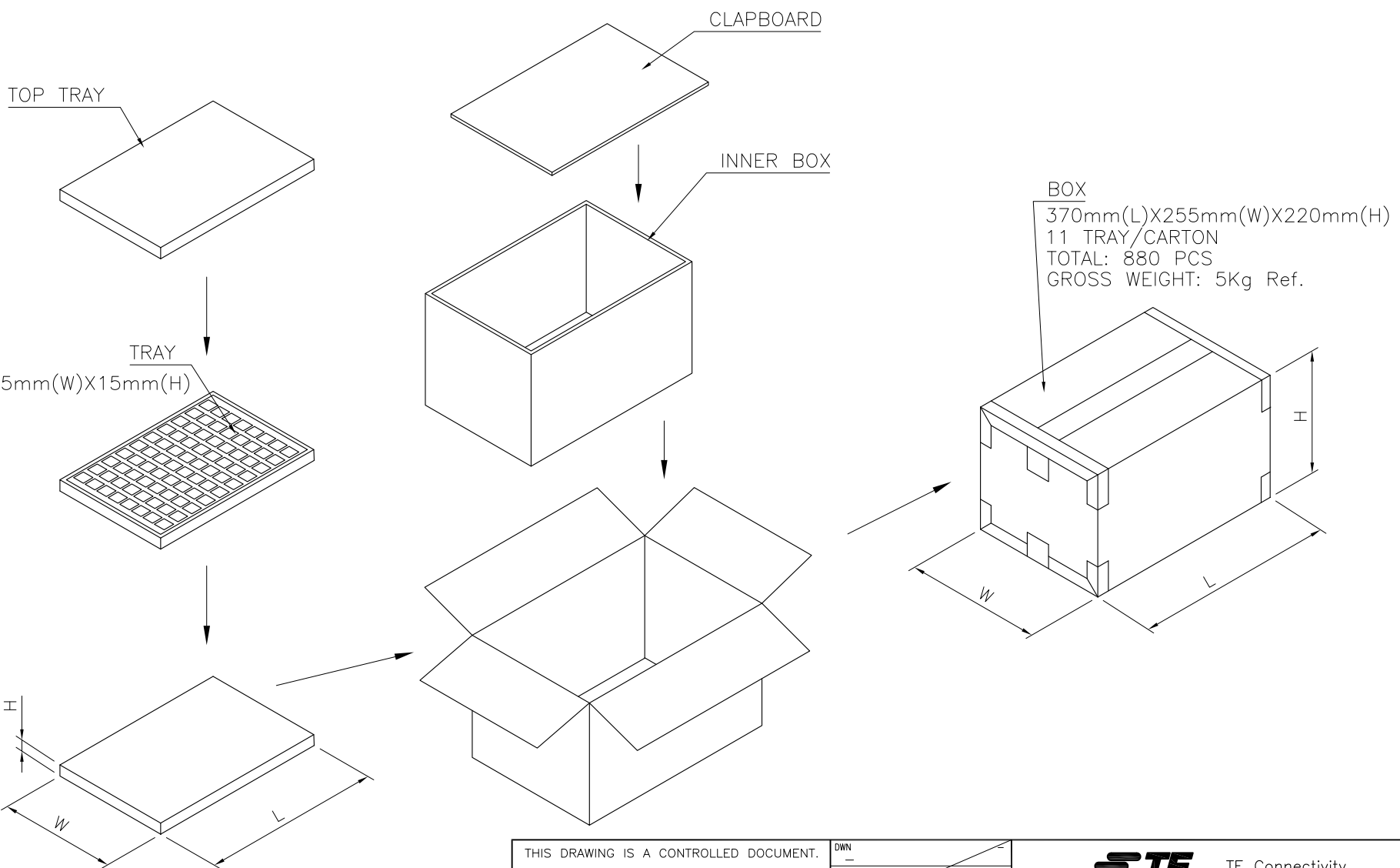
- NOTE:
- MATERIAL:
 HOUSING: THERMOPLASTIC HIGH TEMP., UL94V-0, COLOR: BLACK.
 CONTACT: PHOSPHOR BRONZE, THICKNESS: 0.35mm.
 SHELL: BRASS, THICKNESS: 0.20mm.
 - FINISH:
 CONTACT: GOLD PLATED (SEE TABLE) IN CONTACT AREA,
 GOLD FLASH ON SOLDER TAILS,
 50u" MIN. NICKEL UNDER PLATED ALL OVER.
 SHELL: 20u" MIN. NICKEL PLATED.
 - WAVE SOLDER CAPABLE TO 265°C PER TYCO SPEC 109-202,
 CONDITION B.

THIS DRAWING IS A CONTROLLED DOCUMENT.

DIMENSIONS: MM	TOLERANCES UNLESS OTHERWISE SPECIFIED:	DWN -	CHK -	APVD -	NAME	
	0 PLC ± 0.5	PRODUCT SPEC	TE Connectivity MODULAR JACK, RJ45, SINGLE ENTRY, DIP TYPE			
	1 PLC ± 0.3	APPLICATION SPEC				
MATERIAL	FINISH	WEIGHT	SIZE	CAGE CODE	DRAWING NO	RESTRICTED TO
SEE NOTE	SEE NOTE	-	A3	00779	©-1734719	-
CUSTOMER DRAWING			SCALE	SHEET	REV	
			-	2 of 4	A2	

THIS DRAWING IS UNPUBLISHED. RELEASED FOR PUBLICATION
 © COPYRIGHT 2013 BY TE CONNECTIVITY. ALL RIGHTS RESERVED.

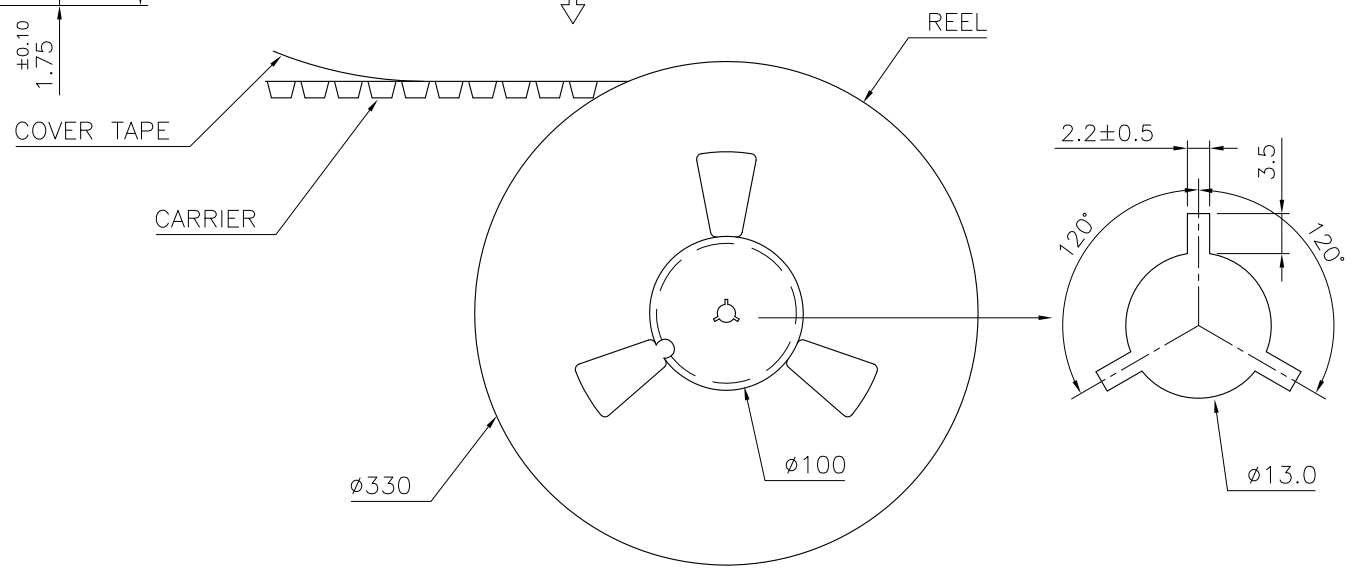
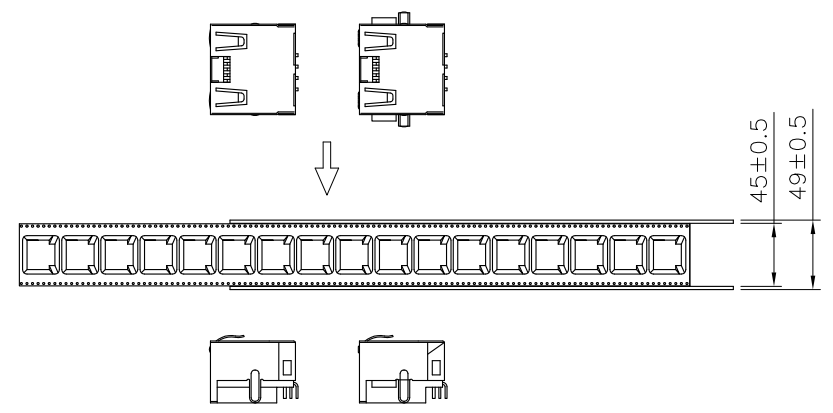
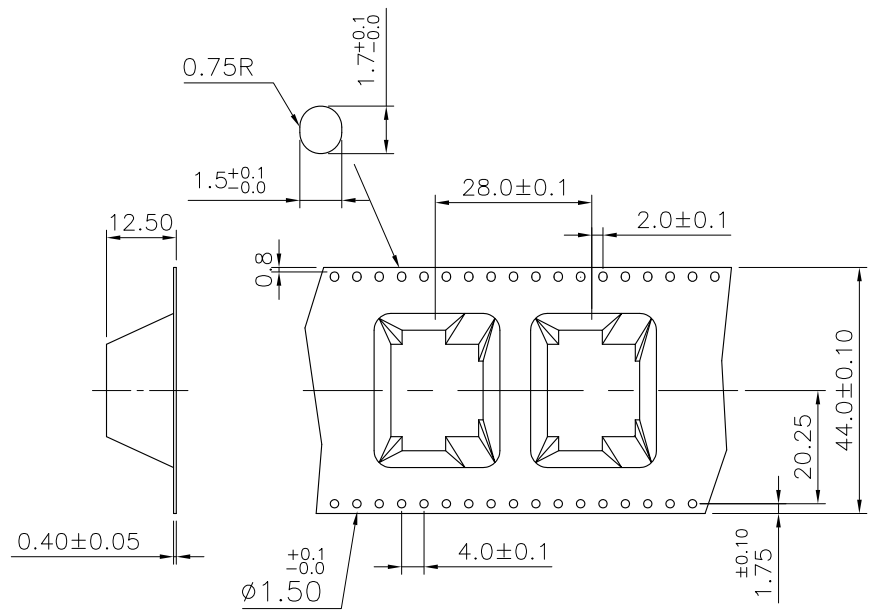
LOC DW	DIST —	REVISIONS			
P	LTR	DESCRIPTION	DATE	DWN	APVD
		SEE SHEET 1			



THIS DRAWING IS A CONTROLLED DOCUMENT.		DWN —	STE TE Connectivity		
DIMENSIONS: MM		CHK —			
TOLERANCES UNLESS OTHERWISE SPECIFIED:		APVD —	NAME		
0 PLC ± -		PRODUCT SPEC —	MODULAR JACK, RJ45, SINGLE ENTRY, DIP TYPE		
1 PLC ± -		APPLICATION SPEC —	SIZE A3	CAGE CODE 00779	DRAWING NO C=1734719
2 PLC ± -		WEIGHT —	RESTRICTED TO —		
3 PLC ± -		CUSTOMER DRAWING			
4 PLC ± -		SCALE —	SHEET 3 of 4		REV A2
ANGLES ± -					
FINISH					

THIS DRAWING IS UNPUBLISHED. RELEASED FOR PUBLICATION
 © COPYRIGHT 2013 BY TE CONNECTIVITY. ALL RIGHTS RESERVED.

LOC	DW	DIST	-	REVISIONS			DATE	DWN	APVD
P	LTR	DESCRIPTION			DATE	DWN	APVD		
		SEE SHEET 1							



- NOTES:
- A. THE DIRECTION OF JACKS PUT INTO CARRIER.
 - B. 10 EMPTY CAVITIES FOR BOTH OF TOP AND BOTTOM OF THE CARRIER.
 - C. 200 PCS PRODUCTS BE PACKAGED ONE REEL.
 - D. BOX SIZE: 345(L)X345(W)X315(H)
6 REEL/BOX
TOTAL: 1200 PCS

THIS DRAWING IS A CONTROLLED DOCUMENT.		DWN	-	TE Connectivity		
DIMENSIONS: MM		CHK	-			
TOLERANCES UNLESS OTHERWISE SPECIFIED:		APVD	-	NAME		
0 PLC ±		PRODUCT SPEC		MODULAR JACK, RJ45, SINGLE ENTRY, DIP TYPE		
1 PLC ±		APPLICATION SPEC		SIZE	CAGE CODE	DRAWING NO
2 PLC ±		WEIGHT		A3	00779	©-1734719
3 PLC ±		CUSTOMER DRAWING		SCALE	SHEET	REV
4 PLC ±				-	4 of 4	A2
ANGLES ±						
FINISH						

X-ON Electronics

Largest Supplier of Electrical and Electronic Components

Click to view similar products for [Modular Connectors](#) / [Ethernet Connectors](#) category:

Click to view products by [TE Connectivity](#) manufacturer:

Other Similar products are found below :

[8949-H88/06BLKA/SN](#) [74441-0010/BKN](#) [PHP-6P6C-5](#) [GAX-3-66](#) [GAX-8-62](#) [GDCX-PN-66](#) [GLX-A-44](#) [GLX-N-1010M-BLK](#) [GMX-SMT4-N-88](#) [GSGX-N-2-88](#) [GSGX-N-4-88](#) [GSX-NS2-88-3.05](#) [GSX-NS-88-3.68](#) [PT-108A-8C-UL](#) [PTS-J531-8CS-50UL](#) [A-2014-0-4](#) [GWLX-S9-88-YG](#) [DC-1021-8-WH-6](#) [1300530003](#) [1324640-4](#) [RJ11FTVC2G](#) [RJ11FTVC2N](#) [RJFTVX2SA1G](#) [132764-001](#) [1413235](#) [MPS88RX-5000](#) [E5288-S000K3-L](#) [155302-001](#) [AX101050](#) [AX101063](#) [AX101065](#) [AX101072](#) [AX101307](#) [AX101315](#) [AX101318](#) [AX102271](#) [AX102288](#) [AX102651](#) [AX102660](#) [J0012D21NL](#) [J0026D01ENL](#) [PC4D0018P](#) [8949-B88/6](#) [2-6609208-5](#) [937-SP-3088-2PC-A192](#) [303066VFL](#) [303068V](#) [303088LFLSA](#) [303088SBL](#) [30-8603](#)