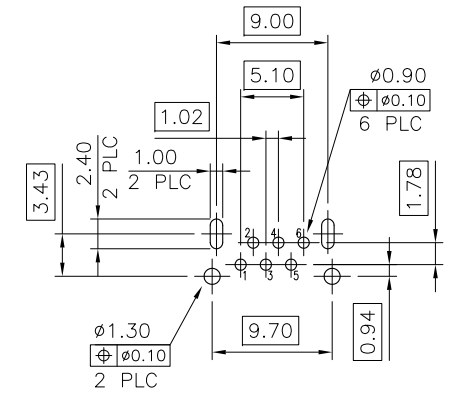
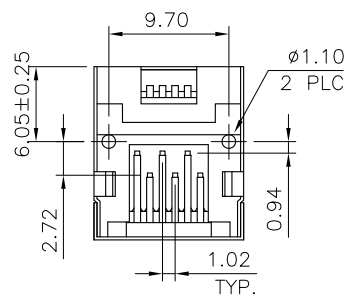
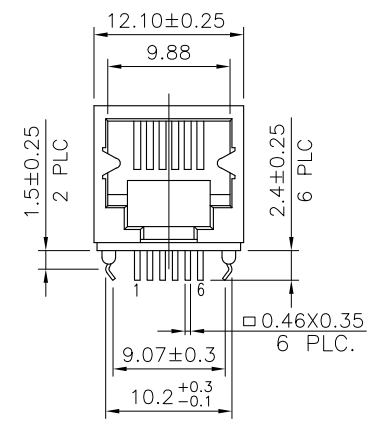
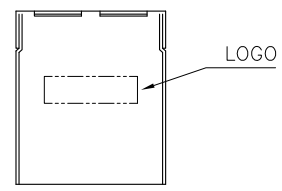
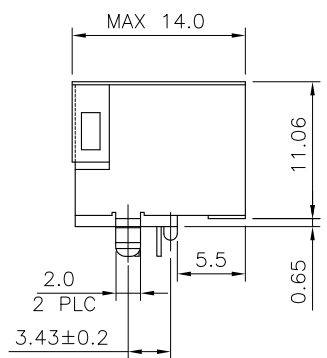
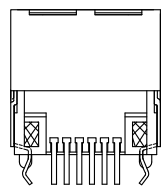


THIS DRAWING IS UNPUBLISHED. RELEASED FOR PUBLICATION
 © COPYRIGHT BY TYCO ELECTRONICS CORPORATION. ALL RIGHTS RESERVED.

| LOC | | DIST | | REVISIONS | | | | | |
|-----|--|------|--|-----------|-----|---------------|---------|-----|------|
| DW | | - | | P | LTR | DESCRIPTION | DATE | DWN | APVD |
| | | | | A2 | | ECR-12-012115 | 26OCT12 | EL | WK |



RECOMMENDED PCB LAYOUT (THICKNESS: 1.6mm)
 DIMENSION TOLERANCE: 1 PLC: ±0.1 2PLC: ±0.05

NOTE:

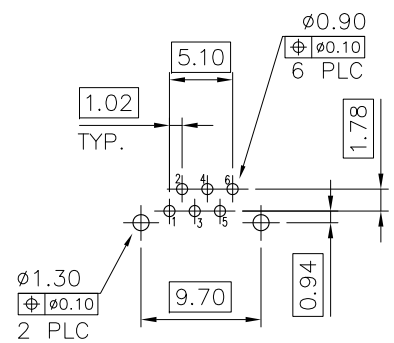
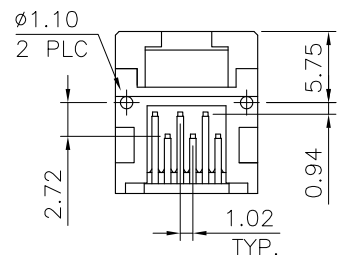
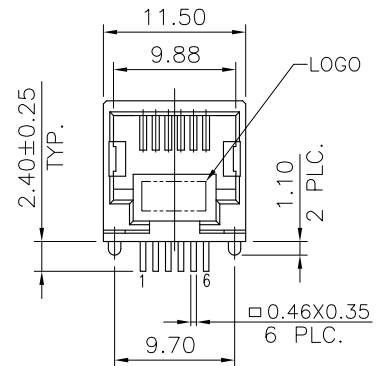
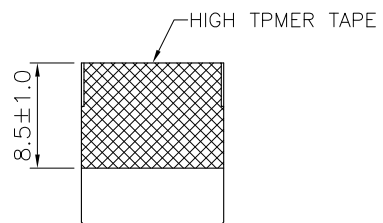
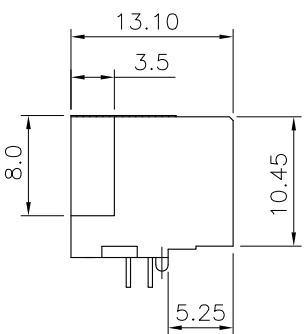
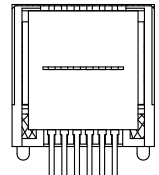
- MATERIAL:
HOUSING: PA46 WITH 30% GF, UL94 V-0, BLACK COLOR.
CONTACTS: PHOSPHOR BRONZE.
SHIELD: BRASS.
 - FINISH:
CONTACTS: (SEE TABLE) GOLD PLATED ON CONTACT AREA, GOLD FLASH ON SOLDER TAIL, WITH ENTIRE CONTACT UNDERPLATED 1.27µm [50µ"] MIN. NICKEL.
SHIELD: 0.51µm [20µ"] MIN. NICKEL PLATED.
 - WAVE SOLDER CAPABLE TO 265°C PER 109-202, CONDITION B.
- ⚠️ OBSOLETE PARTS: OBSOLETE CIS STREAMLINING PER D.RENAUD/D.SINISI

| | | | | |
|----------|------|---------|---------------------|-------------|
| OBSOLETE | 6P2C | REEL | 1.27µm [50µ"] | 2-1734723-8 |
| | | | 0.762µm [30µ"] | 2-1734723-7 |
| | | | 0.381µm [15µ"] | 2-1734723-6 |
| | | | 0.152µm [6µ"] | 2-1734723-5 |
| OBSOLETE | 6P2C | TRAY | 1.27µm [50µ"] | 2-1734723-4 |
| | | | 0.762µm [30µ"] | 2-1734723-3 |
| | | | 0.381µm [15µ"] | 2-1734723-2 |
| OBSOLETE | 6P6C | REEL | 1.27µm [50µ"] | 1734723-8 |
| | | | 0.762µm [30µ"] | 1734723-7 |
| | | | 0.381µm [15µ"] | 1734723-6 |
| | | | 0.152µm [6µ"] | 1734723-5 |
| OBSOLETE | 6P6C | TRAY | 1.27µm [50µ"] | 1734723-4 |
| | | | 0.762µm [30µ"] | 1734723-3 |
| | | | 0.381µm [15µ"] | 1734723-2 |
| | RJ11 | PACKAGE | MIN. GOLD THICKNESS | PART NUMBER |

| | | | | | | | | | | | | |
|--|----------|--------------|-----------|------------------|---------------------|---|-----------|--------|------------|-----------|---------------|---|
| THIS DRAWING IS A CONTROLLED DOCUMENT. | | DWN | A. WU | 10MAR2008 | TE Connectivity | MODULAR JACK, RJ11, SINGLE, DIP TYPE | | | | | | |
| DIMENSIONS: MM | | CHK | S. HOU | 10MAR2008 | | | | | | | | |
| TOLERANCES UNLESS OTHERWISE SPECIFIED: | | APVD | W. KODAMA | 10MAR2008 | | | | | | | | |
| 0 PLC ± 0.50 1 PLC ± 0.30 2 PLC ± 0.20 3 PLC ± 0.10 4 PLC ± 0.10 ANGLES ± - ± - | | PRODUCT SPEC | 108-57527 | | | | | | | | | |
| MATERIAL | SEE NOTE | FINISH | SEE NOTE | APPLICATION SPEC | SIZE | A3 | CAGE CODE | - | DRAWING NO | ©=1734723 | RESTRICTED TO | - |
| CUSTOMER DRAWING | | WEIGHT | 3 GRAMS | | SCALE | - | SHEET | 1 OF 5 | | REV | A2 | |

THIS DRAWING IS UNPUBLISHED. RELEASED FOR PUBLICATION
 © COPYRIGHT BY TYCO ELECTRONICS CORPORATION. ALL RIGHTS RESERVED.

| | | | | | | | |
|-----|------|-----------|-----|--------------|------|-----|------|
| LOC | DIST | REVISIONS | | | | | |
| DW | - | P | LTR | DESCRIPTION | DATE | DWN | APVD |
| | | | | SEE SHEET 1. | | | |



RECOMMENDED PCB LAYOUT (THICKNESS: 1.6mm)
 DIMENSION TOLERANCE: 1 PLC: ±0.1 2PLC: ±0.05

NOTE:

- MATERIAL:
HOUSING: PA46 WITH 30% GF, UL94 V-0, BLACK COLOR.
CONTACTS: PHOSPHOR BRONZE.
SHIELD: BRASS.
- FINISH:
CONTACTS: (SEE TABLE) GOLD PLATED ON CONTACT AREA, GOLD FLASH ON SOLDER TAIL, WITH ENTIRE CONTACT UNDERPLATED 1.27µm [50µ"] MIN. NICKEL.
- WAVE SOLDER CAPABLE TO 265°C PER 109-202, CONDITION B.

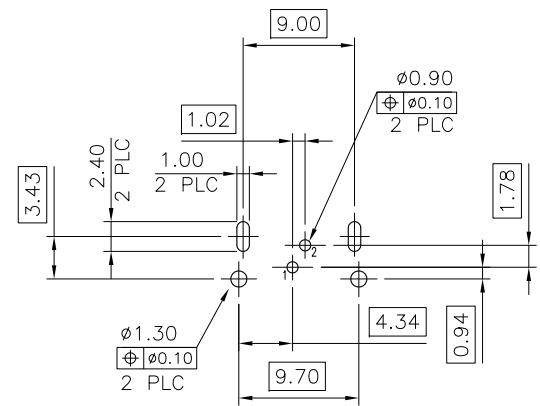
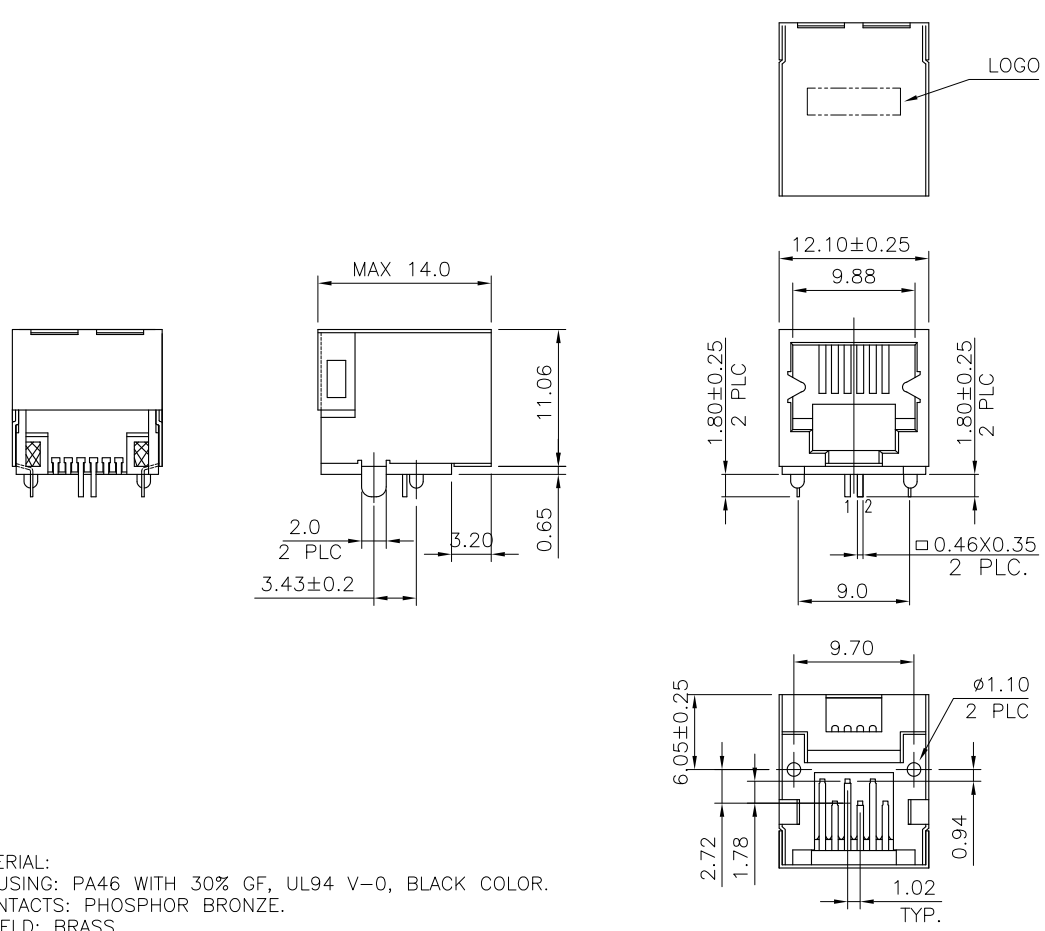
⚠ OBSOLETE PARTS: OBSOLETE CIS STREAMLINING PER D.RENAUD/D.SINISI

| | | | | |
|----------|------|---------|---------------------|-------------|
| OBSOLETE | 6P6C | REEL | 1.27µm [50µ"] | 1-1734723-8 |
| | | | 0.762µm [30µ"] | 1-1734723-7 |
| OBSOLETE | TRAY | | 0.381µm [15µ"] | 1-1734723-6 |
| | | | 0.152µm [6µ"] | 1-1734723-5 |
| | | | 1.27µm [50µ"] | 1-1734723-4 |
| | | | 0.762µm [30µ"] | 1-1734723-3 |
| | | | 0.381µm [15µ"] | 1-1734723-2 |
| | | | 0.152µm [6µ"] | 1-1734723-1 |
| | RJ11 | PACKAGE | MIN. GOLD THICKNESS | PART NUMBER |

| | | | | | | | | |
|--|----------|--------------|-----------|------------------|--|-----------|------------|---------------|
| THIS DRAWING IS A CONTROLLED DOCUMENT. | | DWN | A. WU | 10MAR2008 | TE Connectivity MODULAR JACK, RJ11, SINGLE, DIP TYPE | | | |
| DIMENSIONS: MM | | CHK | S. HOU | 10MAR2008 | | | | |
| TOLERANCES UNLESS OTHERWISE SPECIFIED: | | APVD | W. KODAMA | 10MAR2008 | | | | |
| 0 PLC ± 0.50 1 PLC ± 0.30 2 PLC ± 0.20 3 PLC ± 0.10 4 PLC ± 0.10 ANGLES ± ± | | PRODUCT SPEC | 108-57527 | | | | | |
| MATERIAL | SEE NOTE | FINISH | SEE NOTE | APPLICATION SPEC | SIZE | CAGE CODE | DRAWING NO | RESTRICTED TO |
| | | | | WEIGHT | 2.5 GRAMS | A3 | - | ©=1734723 |
| CUSTOMER DRAWING | | | | SCALE | - | SHEET | 2 of 5 | REV A2 |

THIS DRAWING IS UNPUBLISHED. RELEASED FOR PUBLICATION
 © COPYRIGHT BY TYCO ELECTRONICS CORPORATION. ALL RIGHTS RESERVED.

| LOC | DIST | REVISIONS | | | | | |
|-----|------|-----------|-----|--------------|------|-----|------|
| DW | - | P | LTR | DESCRIPTION | DATE | DWN | APVD |
| | | | | SEE SHEET 1. | | | |



RECOMMENDED PCB LAYOUT (THICKNESS: 1.6mm)
 DIMENSION TOLERANCE: 1 PLC: ±0.1 2PLC: ±0.05

NOTE:

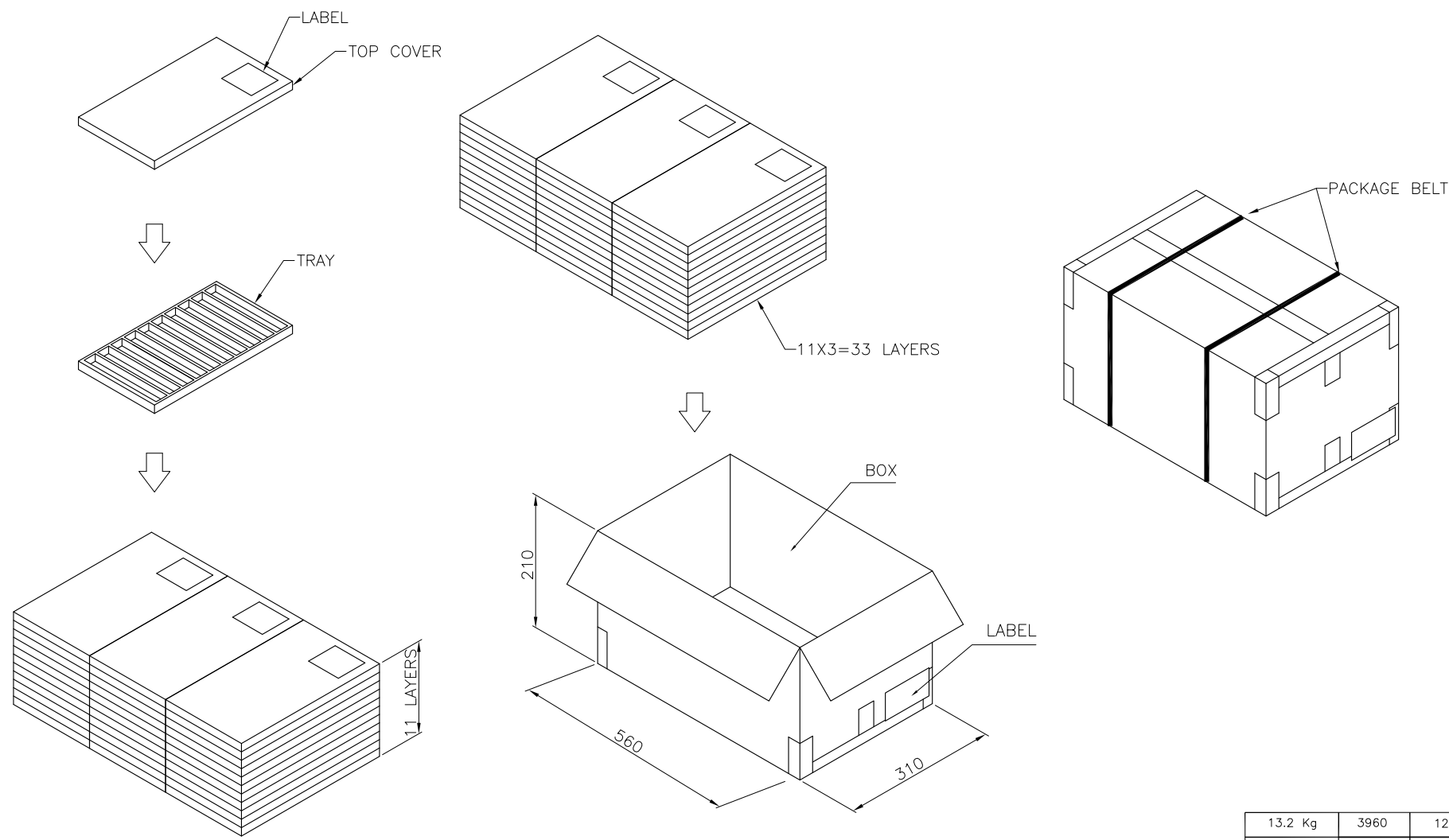
- MATERIAL:
 HOUSING: PA46 WITH 30% GF, UL94 V-0, BLACK COLOR.
 CONTACTS: PHOSPHOR BRONZE.
 SHIELD: BRASS.
- FINISH:
 CONTACTS: (SEE TABLE) GOLD PLATED ON CONTACT AREA, GOLD FLASH ON SOLDER TAIL, WITH ENTIRE CONTACT UNDERPLATED 1.27µm [50µ"] MIN. NICKEL.
 SHIELD: 0.51µm [20µ"] MIN. NICKEL PLATED.
- WAVE SOLDER CAPABLE TO 265°C PER TE TEST SPEC. 109-202, CONDITION B.

| | | | | | |
|----------|------|------|----------------|---------------------|-------------|
| OBSOLETE | 6P2C | REEL | 1.27µm [50µ"] | 4-1734723-8 | |
| | | | 0.762µm [30µ"] | 4-1734723-7 | |
| | | | 0.381µm [15µ"] | 4-1734723-6 | |
| OBSOLETE | 6P2C | TRAY | 0.152µm [6µ"] | 4-1734723-5 | |
| | | | 1.27µm [50µ"] | 4-1734723-4 | |
| | | | 0.762µm [30µ"] | 4-1734723-3 | |
| | | | 0.381µm [15µ"] | 4-1734723-2 | |
| | | | 0.152µm [6µ"] | 4-1734723-1 | |
| | | RJ11 | PACKAGE | MIN. GOLD THICKNESS | PART NUMBER |


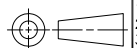
| | | | | | | | | | | | | | | | | |
|---|--|------------------|-----------|-----------|---------------------|------------------|--|--------------------------------------|------------|---------------|-------|-----|-------|--------|-----|----|
| THIS DRAWING IS A CONTROLLED DOCUMENT. | | DWN | A. WU | 10MAR2008 | TE Connectivity | NAME | | MODULAR JACK, RJ11, SINGLE, DIP TYPE | | | | | | | | |
| DIMENSIONS: MM | | CHK | S. HOU | 10MAR2008 | | PRODUCT SPEC | | 108-57527 | | | | | | | | |
| TOLERANCES UNLESS OTHERWISE SPECIFIED: | | APVD | W. KODAMA | 10MAR2008 | | APPLICATION SPEC | | - | | | | | | | | |
| 0 PLC ± 0.50 1 PLC ± 0.30 2 PLC ± 0.20 3 PLC ± 0.10 4 PLC ± - ANGLES ± - ± - | | MATERIAL | | FINISH | | SIZE | | CAGE CODE | DRAWING NO | RESTRICTED TO | | | | | | |
| SEE NOTE | | SEE NOTE | | WEIGHT | | 3 GRAMS | | A3 | | - | SCALE | - | SHEET | 3 OF 5 | REV | A2 |
| | | CUSTOMER DRAWING | | SCALE | | - | | SHEET | | 3 OF 5 | | REV | | A2 | | |

THIS DRAWING IS UNPUBLISHED. RELEASED FOR PUBLICATION
 © COPYRIGHT BY TYCO ELECTRONICS CORPORATION. ALL RIGHTS RESERVED.

| LOC | DIST | REVISIONS | | | | | |
|-----|------|-----------|-----|--------------|------|-----|------|
| DW | - | P | LTR | DESCRIPTION | DATE | DWN | APVD |
| | | | | SEE SHEET 1. | | | |

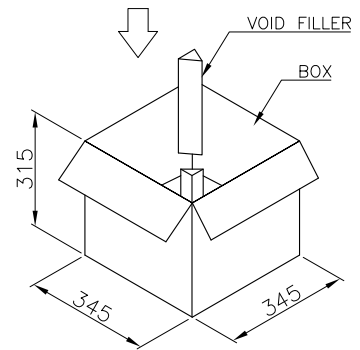
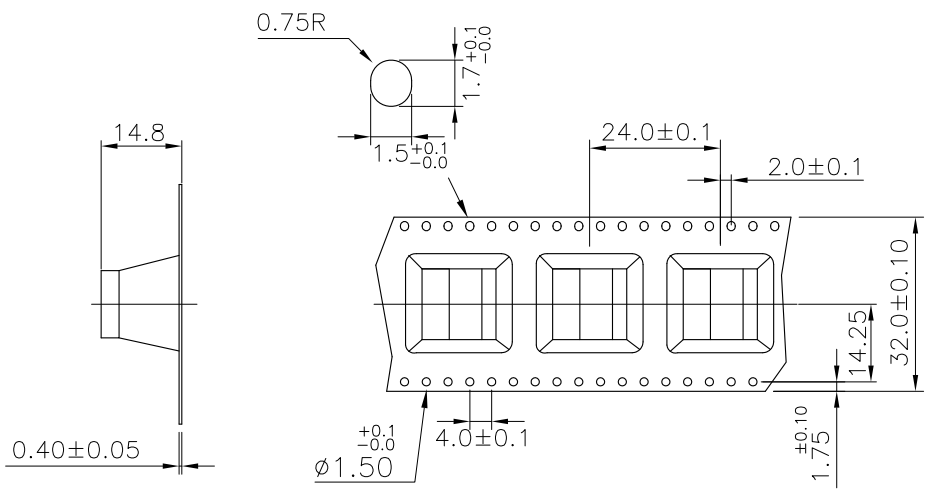
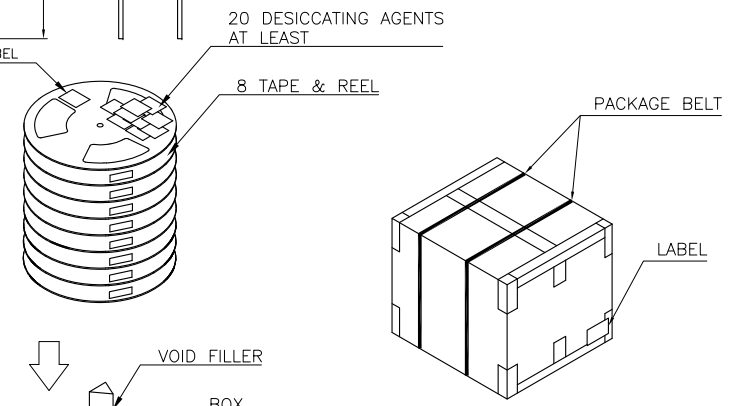
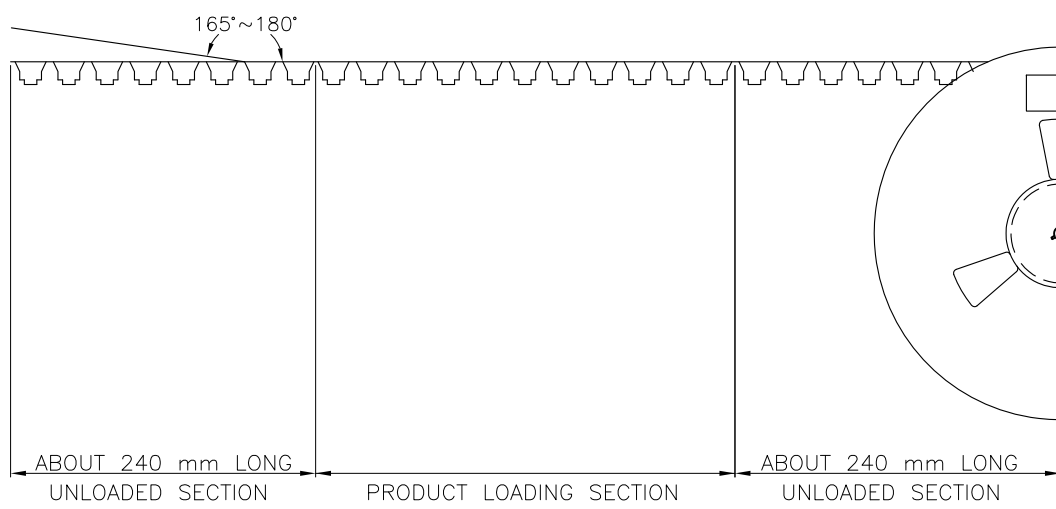


| | | | |
|--------------|-------|----------|-------------|
| 13.2 Kg | 3960 | 120 | 1734723-1 |
| GROSS WEIGHT | TOTAL | PCS/TRAY | PART NUMBER |

| | | | |
|---|--|--------------------------------|--|
| THIS DRAWING IS A CONTROLLED DOCUMENT. | | DWN A. WU 10MAR2008 |  TE Connectivity |
| DIMENSIONS: MM | | CHK S. HOU 10MAR2008 | |
|  | | APVD W. KODAMA 10MAR2008 | |
| TOLERANCES UNLESS OTHERWISE SPECIFIED: | | NAME | |
| 0 PLC ± - 1 PLC ± - 2 PLC ± - 3 PLC ± - 4 PLC ± - ANGLES ± - | | PRODUCT SPEC | MODULAR JACK, RJ11, SINGLE, DIP TYPE |
| MATERIAL | | APPLICATION SPEC | |
| FINISH | | WEIGHT | SIZE A3 |
| | | CUSTOMER DRAWING | CAGE CODE - |
| | | | DRAWING NO C=1734723 |
| | | | RESTRICTED TO - |
| | | | SCALE - |
| | | | SHEET 4 of 5 |
| | | | REV A2 |

THIS DRAWING IS UNPUBLISHED. RELEASED FOR PUBLICATION
 © COPYRIGHT BY TYCO ELECTRONICS CORPORATION. ALL RIGHTS RESERVED.

| | | | | | |
|-----------|-----------|--------------|------|-----|------|
| LOC DW | DIST - | REVISIONS | | | |
| P | LTR | DESCRIPTION | DATE | DWN | APVD |
| | | SEE SHEET 1. | | | |



| | | | | |
|--------------|---------------|-------------------|-------------|-------------|
| 200 | 8 | 1600 | 7 | 5 |
| PCS/ TAPE | REELS/ BOX | QUANTITY (PCS) | G/W (Kg) | N/W (Kg) |

| | | | | |
|---|--|-------------------|---------------|---|
| THIS DRAWING IS A CONTROLLED DOCUMENT. | | DWN A. WU | 10MAR2008 | STE TE Connectivity |
| DIMENSIONS: MM | | CHK S. HOU | 10MAR2008 | |
| TOLERANCES UNLESS OTHERWISE SPECIFIED: | | APVD W. KODAMA | 10MAR2008 | |
| 0 PLC ± - 1 PLC ± - 2 PLC ± - 3 PLC ± - 4 PLC ± - ANGLES ± - | | PRODUCT SPEC | NAME | |
| MATERIAL | | APPLICATION SPEC | | MODULAR JACK, RJ11, SINGLE, DIP TYPE |
| FINISH | | WEIGHT | RESTRICTED TO | |
| | | CUSTOMER DRAWING | | SIZE A3 |
| | | SCALE | | DRAWING NO C=1734723 |
| | | SHEET | | 5 of 5 |
| | | REV | | A2 |

X-ON Electronics

Largest Supplier of Electrical and Electronic Components

Click to view similar products for [Modular Connectors / Ethernet Connectors](#) category:

Click to view products by [TE Connectivity](#) manufacturer:

Other Similar products are found below :

[8949-H88/06BLKA/SN](#) [74441-0010/BKN](#) [MP1010RX-1000](#) [MP44RX-1000](#) [PHJ-4P4C-1-V-4](#) [PHP-6P6C-5](#) [GAX-3-66](#) [GAX-8-62](#) [GDCX-PA-66-50](#) [GDCX-PN-64](#) [GDCX-PN-66](#) [GDCX-PN-66-50](#) [GDLX-A-66](#) [GDLX-N-66](#) [GDLX-S-66](#) [GDLX-S-88K](#) [GDLX-SMT-S-88](#) [GDTX-S-88-50](#) [GDX-PA-1010](#) [GLX-N-1010M-BLK](#) [GLX-S-88M-BLK](#) [GMX-N-1010](#) [GMX-S-1010](#) [GMX-S-66](#) [GMX-SMT4-N-88](#) [GPX-2-64](#) [GSGX-N-2-88](#) [GSGX-N-4-88](#) [GSX-NS2-88-3.05](#) [GSX-NS2-88-3.05-50](#) [GSX-NS-88-3.05-50](#) [PT-108A-8C-UL](#) [PT-J951-8C](#) [PTS-J531-8CS-50UL](#) [1-1775629-2](#) [A-2014-0-4](#) [GWLX-S-88-GR](#) [GWLX-S9-88-YG](#) [DC-1021-8-WH-6](#) [1300530003](#) [1324640-4](#) [RJ11FTVC2G](#) [RJ11FTVC2N](#) [RJFTVX2SA1G](#) [132764-001](#) [1413235](#) [MP88X-1000](#) [MPS88RX-5000](#) [E5288-S000K3-L](#) [E5908-15A242-L](#)