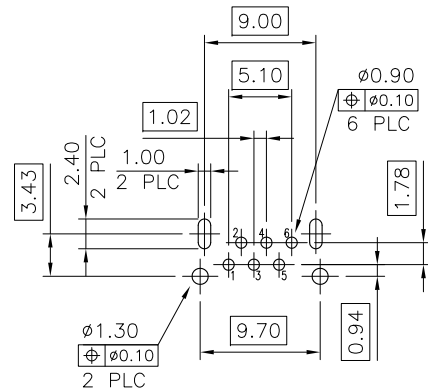
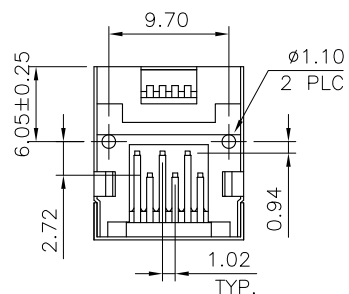
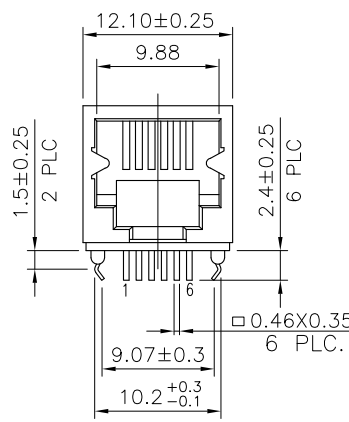
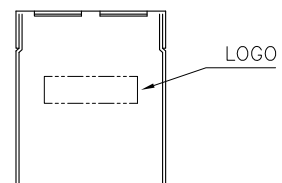
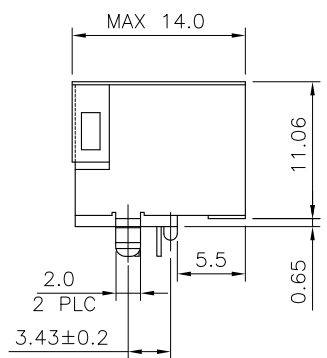
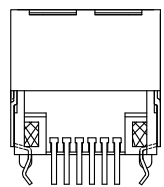


THIS DRAWING IS UNPUBLISHED. RELEASED FOR PUBLICATION
 © COPYRIGHT BY TYCO ELECTRONICS CORPORATION. ALL RIGHTS RESERVED.

LOC	DIST	REVISIONS					
DW	-	P	LTR	DESCRIPTION	DATE	DWN	APVD
		A2		ECR-12-012115	26OCT12	EL	WK



RECOMMENDED PCB LAYOUT (THICKNESS: 1.6mm)
 DIMENSION TOLERANCE: 1 PLC: ±0.1 2PLC: ±0.05

NOTE:

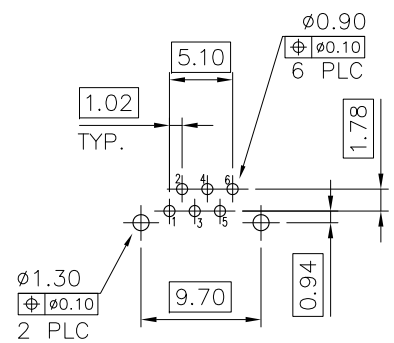
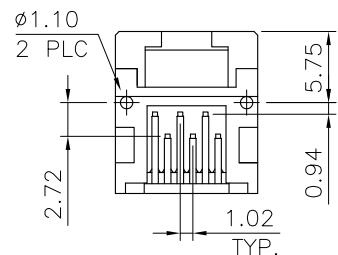
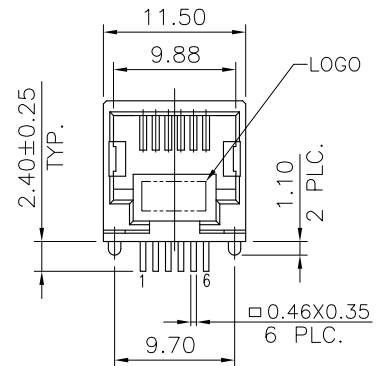
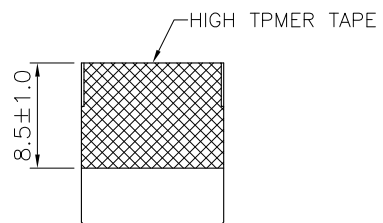
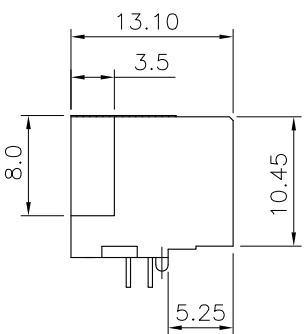
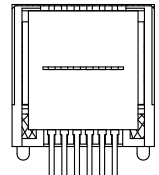
- MATERIAL:
HOUSING: PA46 WITH 30% GF, UL94 V-0, BLACK COLOR.
CONTACTS: PHOSPHOR BRONZE.
SHIELD: BRASS.
 - FINISH:
CONTACTS: (SEE TABLE) GOLD PLATED ON CONTACT AREA, GOLD FLASH ON SOLDER TAIL, WITH ENTIRE CONTACT UNDERPLATED 1.27µm [50µ"] MIN. NICKEL.
SHIELD: 0.51µm [20µ"] MIN. NICKEL PLATED.
 - WAVE SOLDER CAPABLE TO 265°C PER 109-202, CONDITION B.
- ⚠️ OBSOLETE PARTS: OBSOLETE CIS STREAMLINING PER D.RENAUD/D.SINISI

OBSOLETE	6P2C	REEL	1.27µm [50µ"]	2-1734723-8
			0.762µm [30µ"]	2-1734723-7
			0.381µm [15µ"]	2-1734723-6
			0.152µm [6µ"]	2-1734723-5
OBSOLETE	6P2C	TRAY	1.27µm [50µ"]	2-1734723-4
			0.762µm [30µ"]	2-1734723-3
			0.381µm [15µ"]	2-1734723-2
OBSOLETE	6P6C	REEL	1.27µm [50µ"]	-1734723-8-
			0.762µm [30µ"]	-1734723-7-
		TRAY	0.381µm [15µ"]	1734723-6
			0.152µm [6µ"]	-1734723-5-
OBSOLETE	6P6C	TRAY	1.27µm [50µ"]	-1734723-4-
			0.762µm [30µ"]	-1734723-3-
			0.381µm [15µ"]	-1734723-2-
	RJ11	PACKAGE	MIN. GOLD THICKNESS	PART NUMBER

THIS DRAWING IS A CONTROLLED DOCUMENT.		DWN	A. WU	10MAR2008	 TE Connectivity	MODULAR JACK, RJ11, SINGLE, DIP TYPE
DIMENSIONS: MM		CHK	S. HOU	10MAR2008		
TOLERANCES UNLESS OTHERWISE SPECIFIED:		APVD	W. KODAMA	10MAR2008		
0 PLC ± 0.50 1 PLC ± 0.30 2 PLC ± 0.20 3 PLC ± 0.10 4 PLC ± 0.10 ANGLES ± - ± -		PRODUCT SPEC	108-57527			
MATERIAL	SEE NOTE	FINISH	SEE NOTE	APPLICATION SPEC	SIZE	A3
MATERIAL		WEIGHT		CAGE CODE		DRAWING NO
SEE NOTE		3 GRAMS		-		©=1734723
CUSTOMER DRAWING				RESTRICTED TO	SCALE	SHEET 1 OF 5
				REV		A2

THIS DRAWING IS UNPUBLISHED. RELEASED FOR PUBLICATION
 © COPYRIGHT BY TYCO ELECTRONICS CORPORATION. ALL RIGHTS RESERVED.

LOC	DIST	REVISIONS					
DW	-	P	LTR	DESCRIPTION	DATE	DWN	APVD
				SEE SHEET 1.			



RECOMMENDED PCB LAYOUT (THICKNESS: 1.6mm)
 DIMENSION TOLERANCE: 1 PLC: ±0.1 2PLC: ±0.05

NOTE:

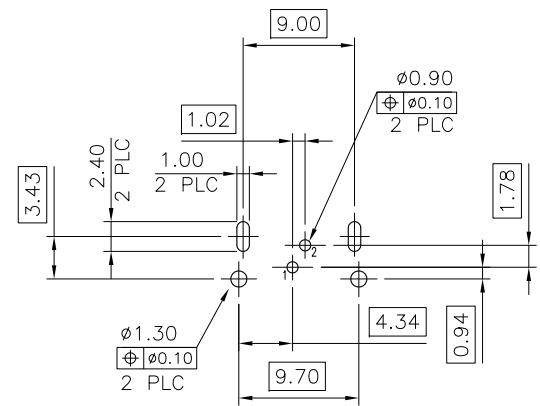
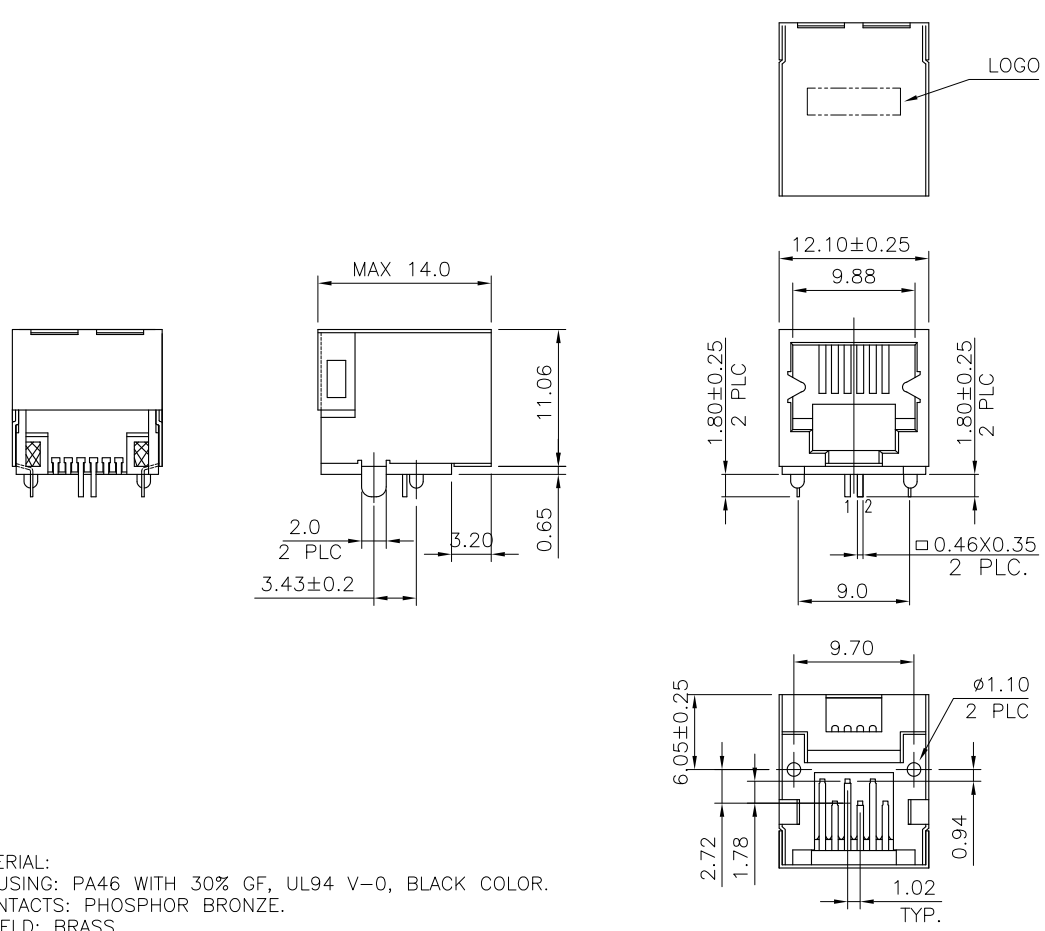
- MATERIAL:
HOUSING: PA46 WITH 30% GF, UL94 V-0, BLACK COLOR.
CONTACTS: PHOSPHOR BRONZE.
SHIELD: BRASS.
 - FINISH:
CONTACTS: (SEE TABLE) GOLD PLATED ON CONTACT AREA, GOLD FLASH ON SOLDER TAIL, WITH ENTIRE CONTACT UNDERPLATED 1.27µm [50µ"] MIN. NICKEL.
 - WAVE SOLDER CAPABLE TO 265°C PER 109-202, CONDITION B.
- 4.** OBSOLETE PARTS: OBSOLETE CIS STREAMLINING PER D.RENAUD/D.SINISI

OBSOLETE	6P6C	REEL	1.27µm [50µ"]	1-1734723-8
			0.762µm [30µ"]	1-1734723-7
OBSOLETE	TRAY		0.381µm [15µ"]	1-1734723-6
			0.152µm [6µ"]	1-1734723-5
			1.27µm [50µ"]	1-1734723-4
			0.762µm [30µ"]	1-1734723-3
			0.381µm [15µ"]	1-1734723-2
			0.152µm [6µ"]	1-1734723-1
	RJ11	PACKAGE	MIN. GOLD THICKNESS	PART NUMBER

THIS DRAWING IS A CONTROLLED DOCUMENT.		DWN	A. WU	10MAR2008	 TE Connectivity MODULAR JACK, RJ11, SINGLE, DIP TYPE			
DIMENSIONS: MM		CHK	S. HOU	10MAR2008				
TOLERANCES UNLESS OTHERWISE SPECIFIED:		APVD	W. KODAMA	10MAR2008				
0 PLC ± 0.50 1 PLC ± 0.30 2 PLC ± 0.20 3 PLC ± 0.10 4 PLC ± - ± - ANGLES ± - ± -		PRODUCT SPEC	108-57527					
MATERIAL	SEE NOTE	FINISH	SEE NOTE	APPLICATION SPEC	SIZE	CAGE CODE	DRAWING NO	RESTRICTED TO
				WEIGHT	2.5 GRAMS	A3	-	©=1734723
CUSTOMER DRAWING				SCALE	-	SHEET	2 of 5	REV A2

THIS DRAWING IS UNPUBLISHED. RELEASED FOR PUBLICATION
 © COPYRIGHT BY TYCO ELECTRONICS CORPORATION. ALL RIGHTS RESERVED.

LOC	DIST	REVISIONS					
DW	-	P	LTR	DESCRIPTION	DATE	DWN	APVD
				SEE SHEET 1.			



RECOMMENDED PCB LAYOUT (THICKNESS: 1.6mm)
 DIMENSION TOLERANCE: 1 PLC: ±0.1 2PLC: ±0.05

NOTE:

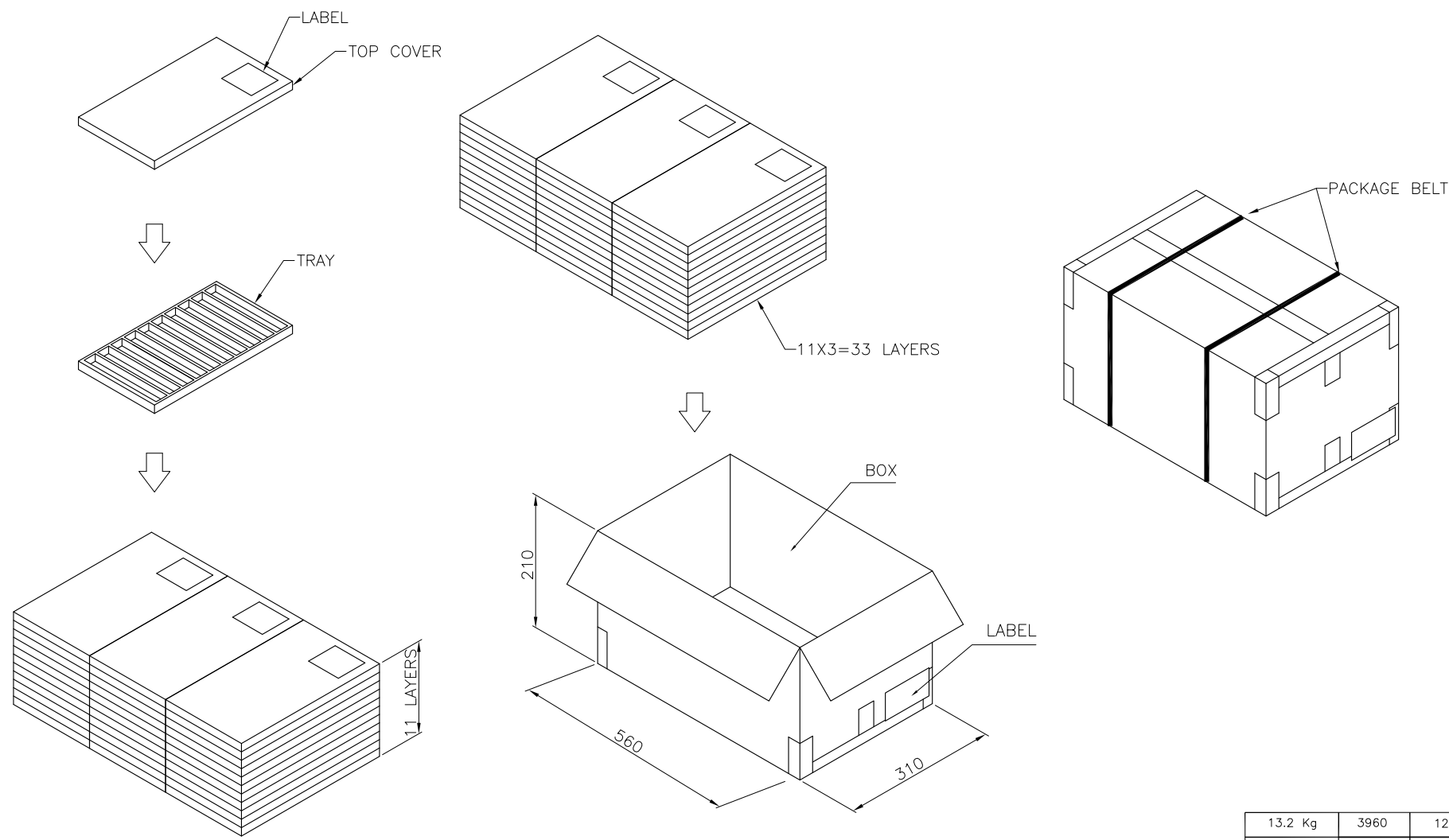
- MATERIAL:
 HOUSING: PA46 WITH 30% GF, UL94 V-0, BLACK COLOR.
 CONTACTS: PHOSPHOR BRONZE.
 SHIELD: BRASS.
- FINISH:
 CONTACTS: (SEE TABLE) GOLD PLATED ON CONTACT AREA, GOLD FLASH ON SOLDER TAIL, WITH ENTIRE CONTACT UNDERPLATED 1.27µm [50µ"] MIN. NICKEL.
 SHIELD: 0.51µm [20µ"] MIN. NICKEL PLATED.
- WAVE SOLDER CAPABLE TO 265°C PER TE TEST SPEC. 109-202, CONDITION B.

OBSOLETE	6P2C	REEL	1.27µm [50µ"]	4-1734723-8
			0.762µm [30µ"]	4-1734723-7
			0.381µm [15µ"]	4-1734723-6
OBSOLETE	6P2C	TRAY	0.152µm [6µ"]	4-1734723-5
			1.27µm [50µ"]	4-1734723-4
			0.762µm [30µ"]	4-1734723-3
			0.381µm [15µ"]	4-1734723-2
			0.152µm [6µ"]	4-1734723-1
	RJ11	PACKAGE	MIN. GOLD THICKNESS	PART NUMBER


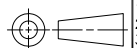
THIS DRAWING IS A CONTROLLED DOCUMENT.		DWN	A. WU	10MAR2008	 TE Connectivity	
DIMENSIONS: MM		CHK	S. HOU	10MAR2008		
TOLERANCES UNLESS OTHERWISE SPECIFIED:		APVD	W. KODAMA	10MAR2008		
0 PLC ± 0.50 1 PLC ± 0.30 2 PLC ± 0.20 3 PLC ± 0.10 4 PLC ± - ± - ANGLES ± - ± -		PRODUCT SPEC	108-57527			
MATERIAL SEE NOTE		FINISH	SEE NOTE		NAME	MODULAR JACK, RJ11, SINGLE, DIP TYPE
		WEIGHT	3 GRAMS		SIZE	A3
		CUSTOMER DRAWING			CAGE CODE	-
		SCALE	-		DRAWING NO	©=1734723
		SHEET	3 OF 5		RESTRICTED TO	-
		REV	A2			

THIS DRAWING IS UNPUBLISHED. RELEASED FOR PUBLICATION
 © COPYRIGHT BY TYCO ELECTRONICS CORPORATION. ALL RIGHTS RESERVED.

LOC	DIST	REVISIONS					
DW	-	P	LTR	DESCRIPTION	DATE	DWN	APVD
				SEE SHEET 1.			

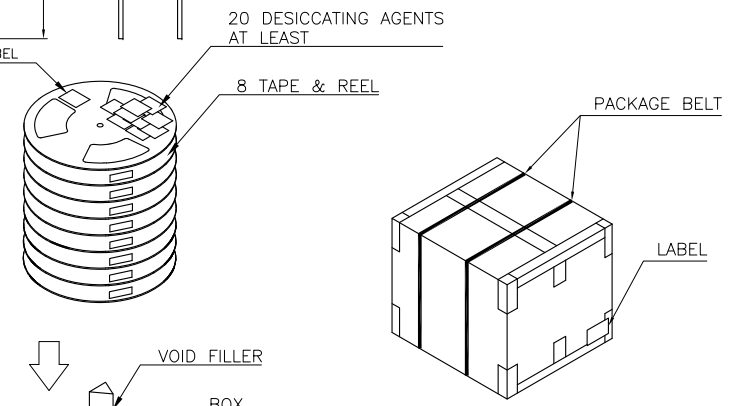
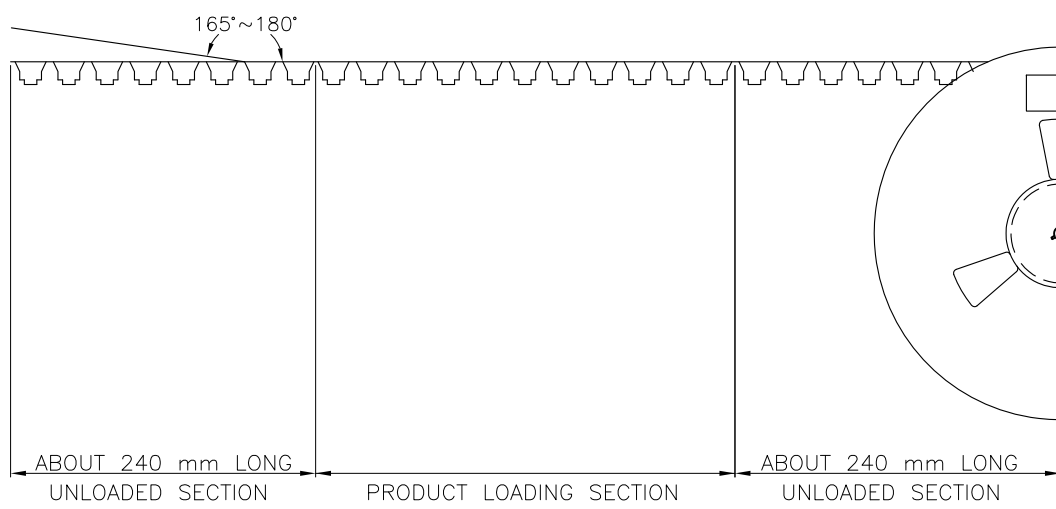


13.2 Kg	3960	120	1734723-1
GROSS WEIGHT	TOTAL	PCS/TRAY	PART NUMBER

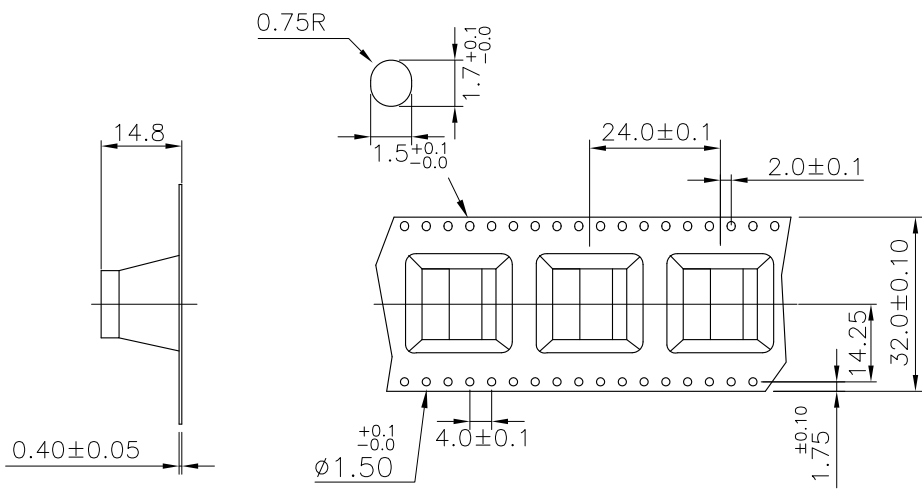
THIS DRAWING IS A CONTROLLED DOCUMENT.		DWN	A. WU	10MAR2008	 TE Connectivity		
DIMENSIONS: MM		CHK	S. HOU	10MAR2008			
		APVD	W. KODAMA	10MAR2008			
TOLERANCES UNLESS OTHERWISE SPECIFIED:		PRODUCT SPEC		NAME			
0 PLC ± - 1 PLC ± - 2 PLC ± - 3 PLC ± - 4 PLC ± - ANGLES ± -		APPLICATION SPEC		MODULAR JACK, RJ11, SINGLE, DIP TYPE			
MATERIAL		WEIGHT		SIZE	CAGE CODE	DRAWING NO	RESTRICTED TO
FINISH		-		A3	-	©=1734723	-
CUSTOMER DRAWING				SCALE	SHEET	4 of 5	REV A2

THIS DRAWING IS UNPUBLISHED. RELEASED FOR PUBLICATION
 © COPYRIGHT BY TYCO ELECTRONICS CORPORATION. ALL RIGHTS RESERVED.

LOC DW	DIST -	REVISIONS			
P	LTR	DESCRIPTION	DATE	DWN	APVD
		SEE SHEET 1.			



200	8	1600	7	5
PCS/ TAPE	REELS/ BOX	QUANTITY (PCS)	G/W (Kg)	N/W (Kg)



THIS DRAWING IS A CONTROLLED DOCUMENT.		DWN A. WU	10MAR2008	STE TE Connectivity
DIMENSIONS: MM		CHK S. HOU	10MAR2008	
TOLERANCES UNLESS OTHERWISE SPECIFIED:		APVD W. KODAMA	10MAR2008	NAME MODULAR JACK, RJ11, SINGLE, DIP TYPE
0 PLC ± -		PRODUCT SPEC		
1 PLC ± -		APPLICATION SPEC		SIZE A3
2 PLC ± -		WEIGHT	-	
3 PLC ± -		CAGE CODE	-	DRAWING NO ©=1734723
4 PLC ± -		RESTRICTED TO	-	
ANGLES ± -		CUSTOMER DRAWING	SCALE -	SHEET 5 of 5
FINISH		REV A2		

X-ON Electronics

Largest Supplier of Electrical and Electronic Components

Click to view similar products for [FFC & FPC Connectors](#) category:

Click to view products by [TE Connectivity](#) manufacturer:

Other Similar products are found below :

[FPH-1422G](#) [FPH-1602G](#) [K-FC20](#) [FH29B-80S-0.2SHW\(99\)](#) [FPH-2022G](#) [AYF332735](#) [52610-1075](#) [52610-1275](#) [52610-1934](#) [501864-3091-TR225](#) [086222026001800](#) [52610-0675](#) [62684-36210E9ALF](#) [52746-1671-TR250](#) [10051922-2810EHLF](#) [6-520415-9](#) [SFV6R-1STE9HLF](#) [XF3M-2915-1B-R100](#) [1658549-1](#) [AYF534065TA](#) [AYF351525](#) [086212040340800+](#) [AYF530365TA](#) [67000-014LF](#) [67000-004LF](#) [006207341915000+](#) [DS1020-19RT1D](#) [67000-003LF](#) [67000-011LF](#) [67000-016LF](#) [HFW14R-2STE9LF](#) [SFV32R-2STBE9HLF](#) [SFW12R-5STE9LF](#) [SFW18R-1STAE9LF](#) [SFW4R-5STE9LF](#) [52807-0430](#) [046283021002868+](#) [THD1015-8CL-SN](#) [67000-006LF](#) [502250-8027](#) [104267-9617](#) [66987-011LF](#) [AYF362535](#) [F0501-T-50-20T-R](#) [F1003-ZV-12-25T-R](#) [HFW8S-2STAE1HLF](#) [67000-008LF](#) [67000-012LF](#) [ECC576069EU](#) [F1002-B-20-20T-R](#)