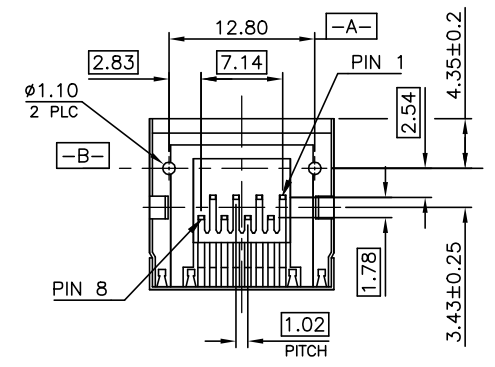
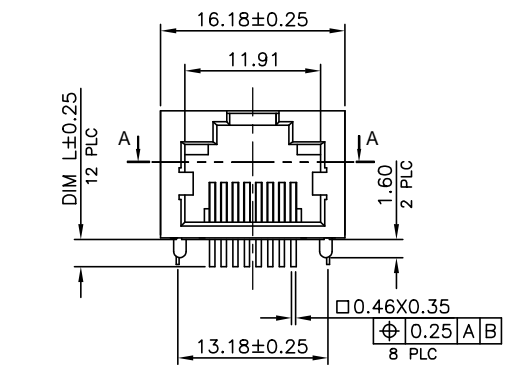
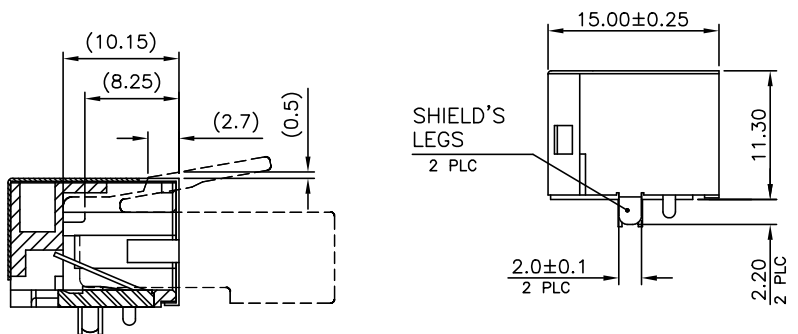
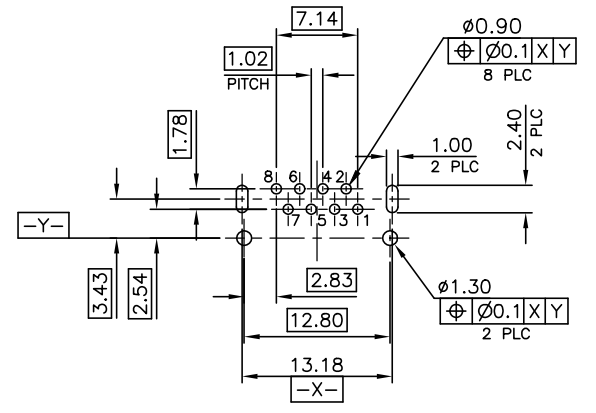
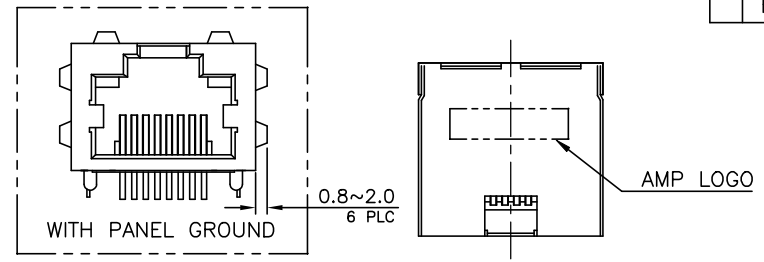
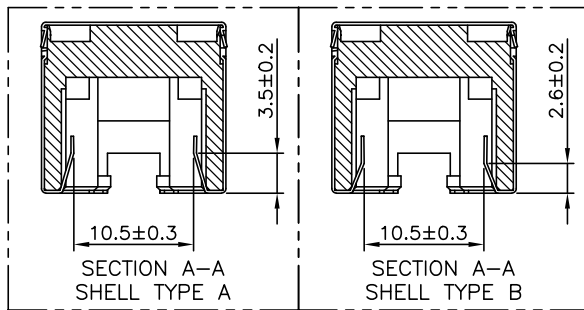


THIS DRAWING IS UNPUBLISHED. RELEASED FOR PUBLICATION  
 © COPYRIGHT 2010 BY TYCO ELECTRONICS CORPORATION. ALL RIGHTS RESERVED.

|     |      |           |     |                 |           |     |      |
|-----|------|-----------|-----|-----------------|-----------|-----|------|
| LOC | DIST | REVISIONS |     |                 |           |     |      |
| DW  |      | P         | LTR | DESCRIPTION     | DATE      | DWN | APVD |
|     |      | F         |     | (ECO-19-011949) | 26NOV2019 | R.R | S.H  |



- NOTE:
- MATERIAL:
    - HOUSING: PA9T WITH 30% GF, UL94 V-0, BLACK COLOR.
    - CONTACTS: PHOSPHOR BRONZE.
    - SHELL: BRASS.
  - FINISH:
    - CONTACTS: (SEE TABLE) GOLD PLATED ON CONTACT AREA. GOLD FLASH ON SOLDER TAIL. 1.27um [50u"] MIN. NICKEL UNDERPLATED OVERALL.
    - SHELL: 0.51um [20u"] MIN. NICKEL PLATED.
  - WAVE SOLDER CAPABLE TO 265°C PER TYCO TEST SPEC. 109-202, CONDITION B.
- A OBSOLETE PART : OBSOLETE CIS STREAMLINING PER D.RENAUD/D.SINISI  
B HOUSING: PA4T WITH GLASS FIBER, UL94 V-0, BLACK COLOR.  
C LOW BR/CL AS DEFINED IN TEC-138-702.

RECOMMENDED PCB LAYOUT (THICKNESS: 1.6MM)  
 (DIMENSION TOLERANCE: 1 PLC: ±0.1, 2 PLC: ±0.05)

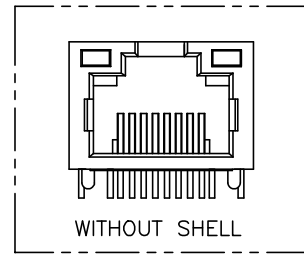
| TAPE & REEL  | W/O          | TYPE A | 2.2        | 6u"   | 3-1734795-2          |             |
|--------------|--------------|--------|------------|-------|----------------------|-------------|
| OBSOLETE     | W/           | W/O    | 1.5        | 6u"   | 3-1734795-1          |             |
|              |              |        |            | 50u"  | <del>1734795-8</del> |             |
|              |              |        |            | 30u"  | 1734795-7            |             |
|              |              |        |            | 15u"  | 3-1734795-6          |             |
|              |              |        |            | 15u"  | 1734795-6            |             |
|              |              |        |            | 6u"   | 1734795-5            |             |
| TRAY         | W/O          | W/O    | 2.4        | 50u"  | 1734795-4            |             |
|              |              |        |            | 30u"  | <del>1734795-3</del> |             |
|              |              |        |            | 15u"  | <del>1734795-2</del> |             |
|              |              |        |            | 6u"   | 1734795-1            |             |
| PACKAGE TYPE | PANEL GROUND | LED    | SHELL TYPE | DIM L | MIN. GOLD THICKNESS  | PART NUMBER |

|  |  |                  |           |            |                            |     |
|--|--|------------------|-----------|------------|----------------------------|-----|
| THIS DRAWING IS A CONTROLLED DOCUMENT. |  | DWN              | O. HU     | 14SEP2007  | TE Connectivity            |     |
|  |  | CHK              | S. HOU    | 14SEP2007  |                            |     |
|  |  | APVD             | W.J. KE   | 14SEP2007  |                            |     |
|  |  | PRODUCT SPEC     |           |            |                            |     |
|  |  | APPLICATION SPEC |           |            | NAME                       |     |
|  |  | 108-57535        |           |            | MODULAR JACK CONNECTOR     |     |
|  |  |                  |           |            | RJ45, 8P8C, SHIELDED       |     |
|  |  |                  |           |            | TAB UP, DIP TYPE, H=11.3mm |     |
|  |  | SIZE             | CAGE CODE | DRAWING NO | RESTRICTED TO              |     |
|  |  | A3               | 00779     | C=1734795  |                            |     |
|  |  | WEIGHT           |           | 3.5 GRAMS  |                            |     |
|  |  | CUSTOMER DRAWING |           |            |                            |     |
|  |  | SCALE            |           | SHEET      |                            | REV |
|  |  |                  |           | 1 OF 5     |                            | F   |

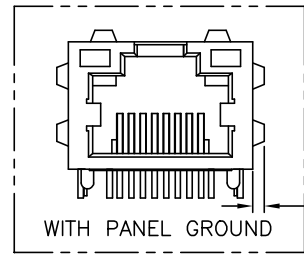
|             |  |  |        |
|-------------|--|--|--------|
| DIMENSIONS: |  | TOLERANCES UNLESS OTHERWISE SPECIFIED: |        |
| mm          |  | 0 PLC                                  | ± -    |
|             |  | 1 PLC                                  | ± 0.3  |
|             |  | 2 PLC                                  | ± 0.2  |
|             |  | 3 PLC                                  | ± 0.15 |
|             |  | 4 PLC                                  | ± -    |
|             |  | ANGLES                                 | ± 3°   |
| MATERIAL    |  | FINISH                                 |        |
| SEE NOTE    |  | SEE NOTE                               |        |

THIS DRAWING IS UNPUBLISHED. RELEASED FOR PUBLICATION  
 © COPYRIGHT 2010 BY TYCO ELECTRONICS CORPORATION. ALL RIGHTS RESERVED.

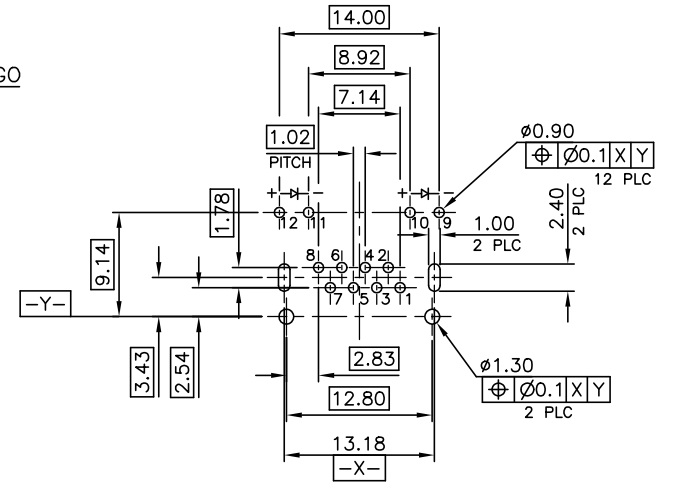
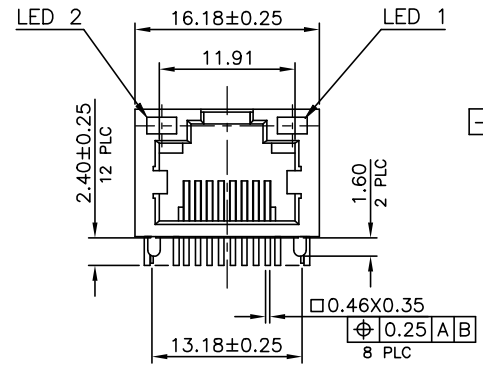
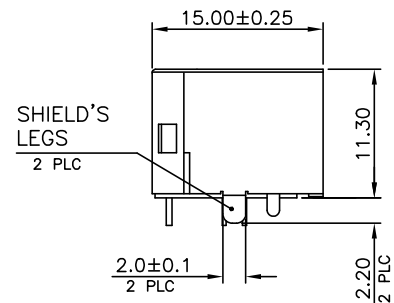
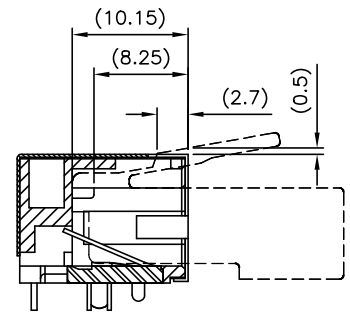
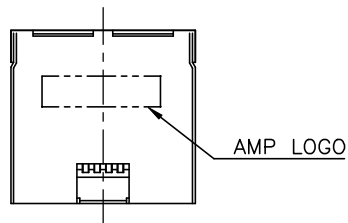
| LOC |  | DIST |  | REVISIONS |     |              |      |     |      |
|-----|--|------|--|-----------|-----|--------------|------|-----|------|
| DW  |  |      |  | P         | LTR | DESCRIPTION  | DATE | DWN | APVD |
|     |  |      |  |           |     | SEE SHEET 1. |      |     |      |



1-1734795-9



0.8~2.0  
6 PLC



- NOTE:
- MATERIAL:
    - 1.1 HOUSING: PA9T WITH 30% GF, UL94 V-0, BLACK COLOR.
    - 1.2 CONTACTS: PHOSPHOR BRONZE.
    - 1.3 SHELL: BRASS.
    - 1.4 LED LIGHT: EPOXY RESIN & STEEL
  - FINISH:
    - 2.1 CONTACTS: (SEE TABLE) GOLD PLATED ON CONTACT AREA. GOLD FLASH ON SOLDER TAIL.
      - 1.27um [50u"] MIN. NICKEL UNDERPLATED OVERALL.
    - 2.2 SHELL: 0.51um [20u"] MIN. NICKEL PLATED.
    - 2.3 LED: 1.02um [40u"] COPPER UNDERPLATED OVERALL.
      - 1.27um [50u"] NICKEL OVERALL.
      - 1.27um [50u"] SILVER ON BONDING AREA.
      - 2.54um [100u"] BRIGHT-TIN ON SOLDER AREA.
  - WAVE SOLDER CAPABLE TO 265°C PER TYCO TEST SPEC. 109-202, CONDITION B.
    - ⚠ OBSOLETE PART : OBSOLETE CIS STREAMLINING PER D.RENAUD/D.SINISI
    - ⚠ LED: 1.02um [40u"] COPPER UNDERPLATED OVERALL
      - 0.5um [20u"] NICKEL OVERALL
      - 1.27um [50u"] SILVER ON BONDING AREA
      - 2.54um [100u"] BRIGHT-TIN ON SOLDER AREA
    - ⚠ WITHOUT OUTER SHELL

| FINISH | W/O | GREEN/YELLOW | GREEN/YELLOW | LUBRICATION GOLD PLATE CONTACT AREA | PART NUMBER |
|--------|-----|--------------|--------------|-------------------------------------|-------------|
|        |     |              |              | 50u"                                | 2-1734795-8 |
|        |     |              |              | 15u"                                | 2-1734795-2 |
|        |     |              |              | 50u"                                | 1-1734795-8 |
|        |     |              |              | 30u"                                | 1-1734795-7 |
|        |     |              |              | 15u"                                | 1-1734795-6 |
|        |     |              |              | 6u"                                 | 1-1734795-5 |
|        |     |              |              | 50u"                                | 1-1734795-4 |
|        |     |              |              | 30u"                                | 1-1734795-3 |
|        |     |              |              | 15u"                                | 1-1734795-2 |
|        |     |              |              | 6u"                                 | 1-1734795-9 |
|        |     |              |              | 6u"                                 | 1-1734795-1 |
|        |     |              |              | MIN. GOLD THICKNESS                 | PART NUMBER |

THIS DRAWING IS A CONTROLLED DOCUMENT.

DWN \_\_\_\_\_  
 CHK \_\_\_\_\_  
 APVD \_\_\_\_\_  
 PRODUCT SPEC \_\_\_\_\_  
 APPLICATION SPEC \_\_\_\_\_

TE Connectivity

MODULAR JACK CONNECTOR  
 RJ45, 8P8C, SHIELDED  
 TAB UP, DIP TYPE, H=11.3mm

SIZE: A3 CAGE CODE: 00779 DRAWING NO: C=1734795 RESTRICTED TO: \_\_\_\_\_

WEIGHT: 3.5 GRAMS

CUSTOMER DRAWING

SCALE: \_\_\_\_\_ SHEET: 2 of 5 REV: F

4

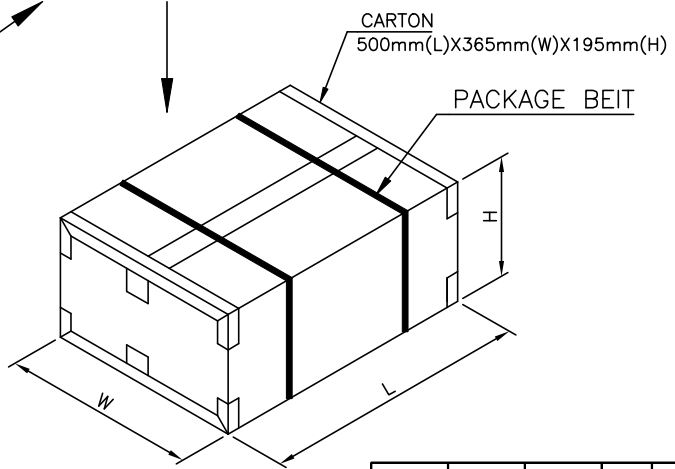
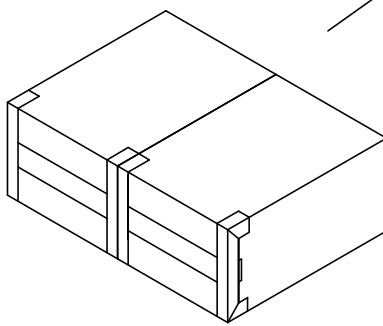
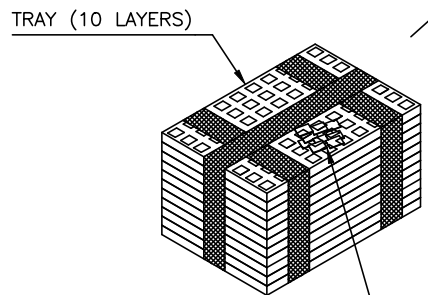
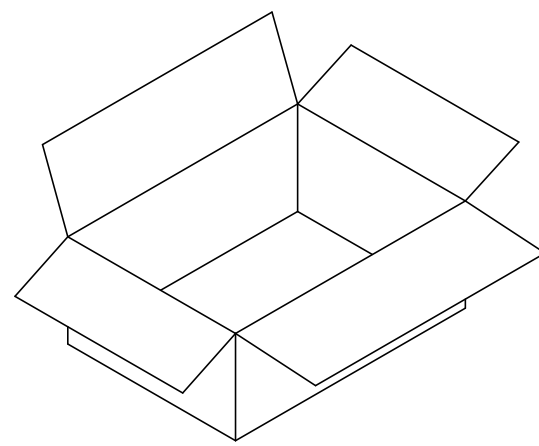
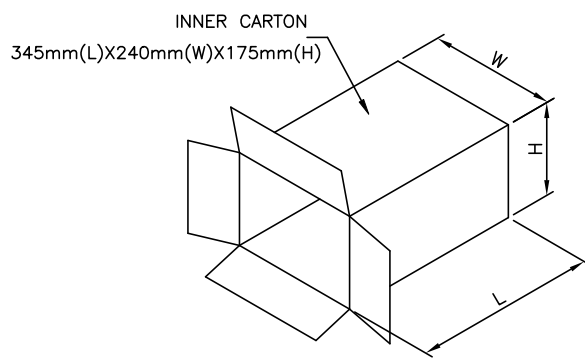
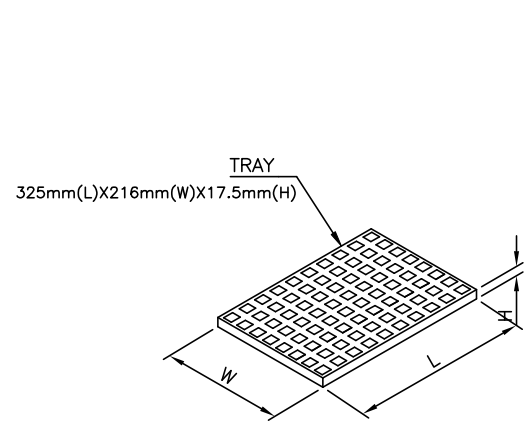
3

2

1

THIS DRAWING IS UNPUBLISHED. RELEASED FOR PUBLICATION  
 © COPYRIGHT 2010 BY TYCO ELECTRONICS CORPORATION. ALL RIGHTS RESERVED.

| LOC | DIST | REVISIONS    |      |     |      |
|-----|------|--------------|------|-----|------|
| P   | LTR  | DESCRIPTION  | DATE | DWN | APVD |
| DW  |      | SEE SHEET 1. |      |     |      |



|          |              |                |          |          | 1734795-4            |
|----------|--------------|----------------|----------|----------|----------------------|
|          |              |                |          |          | <del>1734795-3</del> |
|          |              |                |          |          | <del>1734795-2</del> |
|          |              |                |          |          | 1734795-1            |
| PCS/TRAY | TRAYS/CARTON | QUANTITY (PCS) | G/W (Kg) | N/W (Kg) | PART NUMBER          |
| 80       | 800          | 1600           | 8.5      | 6.5      |                      |

THIS DRAWING IS A CONTROLLED DOCUMENT.

|                   |   |                  |  |           |            |
|-------------------|---|------------------|--|-----------|------------|
| DIMENSIONS:<br>mm | TOLERANCES UNLESS OTHERWISE SPECIFIED   | DWN              | TE Connectivity  |           |            |
|                   | 0 PLC ± -<br>1 PLC ± 0.3<br>2 PLC ± 0.2<br>3 PLC ± 0.15<br>4 PLC ± -<br>ANGLES ± 3' | CHK              | NAME   |           |            |
| MATERIAL          | FINISH  | APVD             | MODULAR JACK CONNECTOR<br>RJ45, 8P8C, SHIELDED<br>TAB UP, DIP TYPE, H=11.3mm |           |            |
|                   |   | PRODUCT SPEC     | SIZE   | CAGE CODE | DRAWING NO |
|                   |   | APPLICATION SPEC | A3   | 00779     | C=1734795  |
|                   |   | WEIGHT           | CUSTOMER DRAWING   |           | RESTRICTED |
|                   |   |                  | SCALE  | SHEET     | 3 OF 5     |
|                   |   |                  |  | REV       | F          |

4

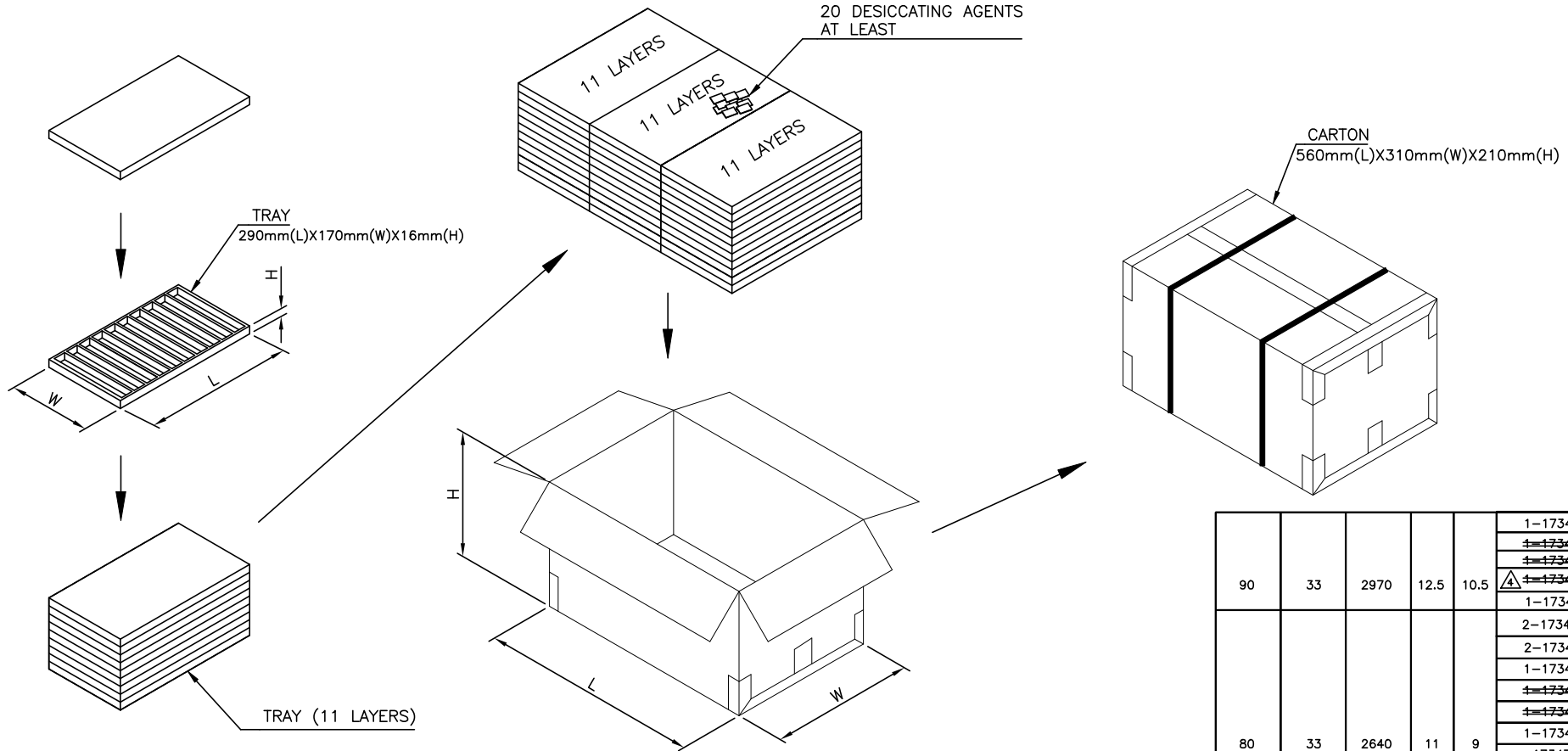
3

2

1

THIS DRAWING IS UNPUBLISHED. RELEASED FOR PUBLICATION  
© COPYRIGHT 2010 BY TYCO ELECTRONICS CORPORATION. ALL RIGHTS RESERVED.

|           |      |              |      |     |      |
|-----------|------|--------------|------|-----|------|
| LOC<br>DW | DIST | REVISIONS    |      |     |      |
| P         | LTR  | DESCRIPTION  | DATE | DWN | APVD |
|           |      | SEE SHEET 1. |      |     |      |

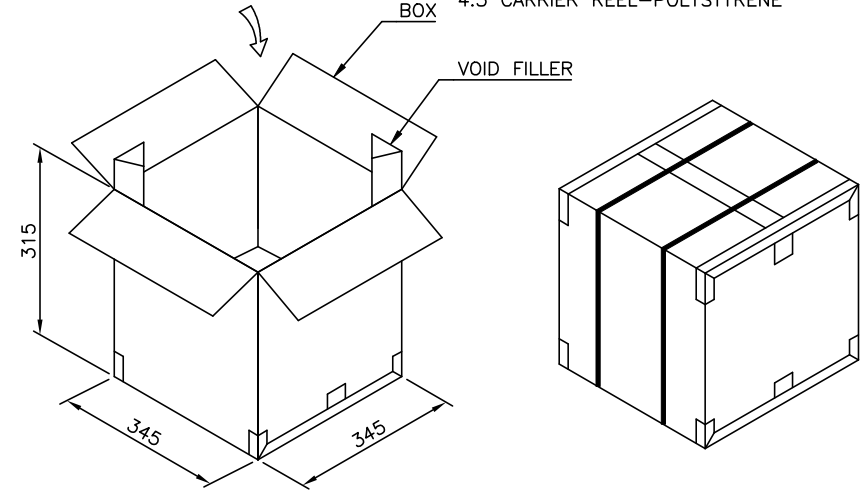
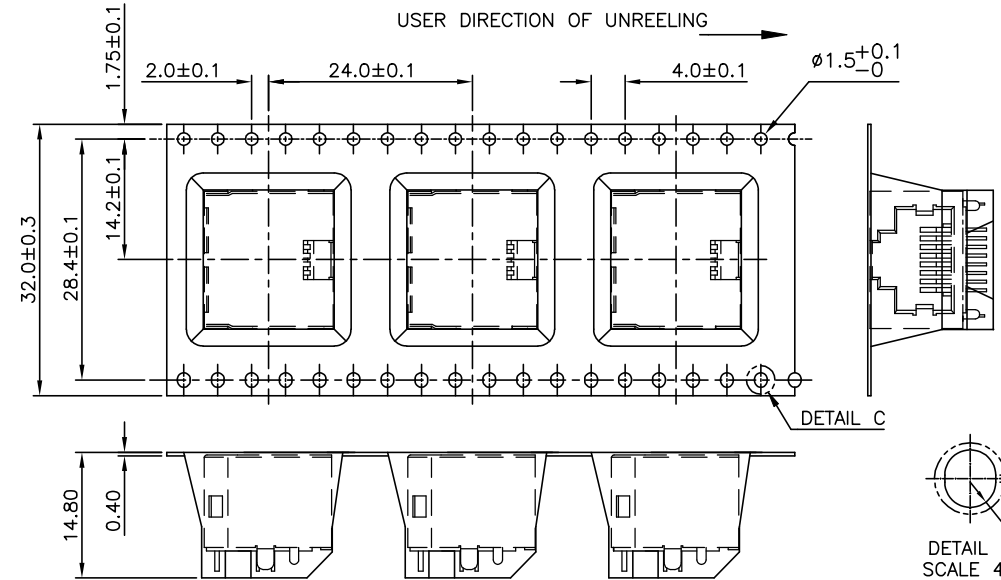
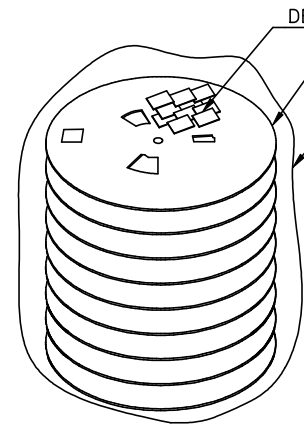
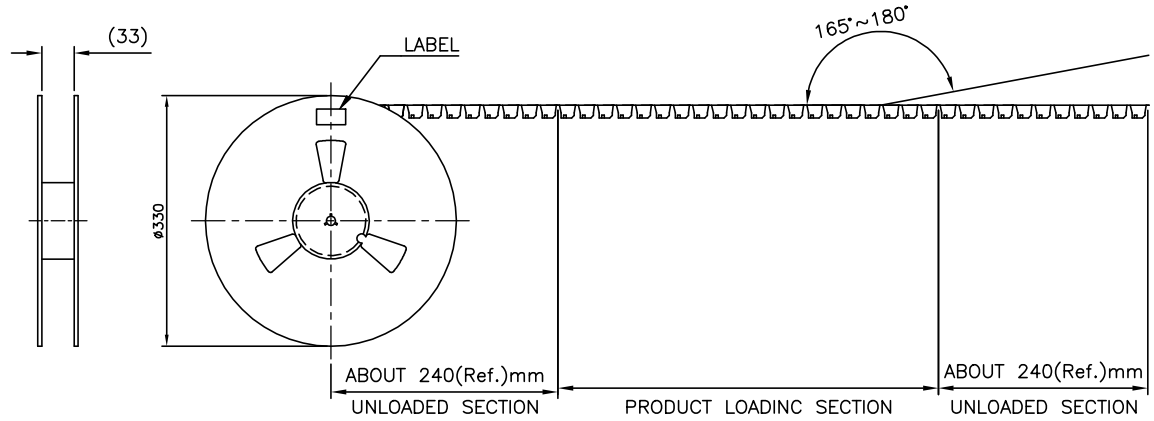


|          |              |                |          |          |                        |
|----------|--------------|----------------|----------|----------|------------------------|
| 90       | 33           | 2970           | 12.5     | 10.5     | 1-1734795-9            |
|          |              |                |          |          | <del>1-1734795-4</del> |
|          |              |                |          |          | <del>1-1734795-3</del> |
|          |              |                |          |          | <del>1-1734795-2</del> |
|          |              |                |          |          | 1-1734795-1            |
|          |              |                |          |          | 2-1734795-8            |
|          |              |                |          |          | 2-1734795-2            |
|          |              |                |          |          | 1-1734795-8            |
|          |              |                |          |          | <del>1-1734795-7</del> |
|          |              |                |          |          | <del>1-1734795-6</del> |
| 80       | 33           | 2640           | 11       | 9        | 1-1734795-5            |
|          |              |                |          |          | <del>1-1734795-8</del> |
|          |              |                |          |          | 1734795-7              |
|          |              |                |          |          | 3-1734795-6            |
|          |              |                |          |          | 1734795-6              |
|          |              |                |          |          | 1734795-5              |
|          |              |                |          |          | 1734795-5              |
| PCS/TRAY | TRAYS/CARTON | QUANTITY (PCS) | G/W (kg) | N/W (kg) | PART NUMBER            |

|  |        |                  |  |           |            |
|--|--------|------------------|--|-----------|------------|
| THIS DRAWING IS A CONTROLLED DOCUMENT. |        | DWN              | TE Connectivity  |           |            |
| DIMENSIONS: mm                         |        | CHK              | NAME   |           |            |
| TOLERANCES UNLESS OTHERWISE SPECIFIED: |        | APVD             | MODULAR JACK CONNECTOR<br>RJ45, 8P8C, SHIELDED<br>TAB UP, DIP TYPE, H=11.3mm |           |            |
| 0 PLC ± -                              |        | PRODUCT SPEC     | SIZE   | CAGE CODE | DRAWING NO |
| 1 PLC ± 0.3                            |        | APPLICATION SPEC | A3   | 00779     | C=1734795  |
| 2 PLC ± 0.2                            |        | WEIGHT           | RESTRICTED TO  |           |            |
| 3 PLC ± 0.15                           |        | CUSTOMER DRAWING | SCALE  |           |            |
| 4 PLC ± -                              |        |                  | SHEET 4 of 5   |           |            |
| ANGLES ± 3'                            |        |                  | REV F  |           |            |
| MATERIAL                               | FINISH |                  |  |           |            |

THIS DRAWING IS UNPUBLISHED. RELEASED FOR PUBLICATION  
 © COPYRIGHT 2010 BY TYCO ELECTRONICS CORPORATION. ALL RIGHTS RESERVED.

| LOC | DIST | REVISIONS    |      |     |      |
|-----|------|--------------|------|-----|------|
| P   | LTR  | DESCRIPTION  | DATE | DWN | APVD |
|     |      | SEE SHEET 1. |      |     |      |



|              |            |              |          |         |             |
|--------------|------------|--------------|----------|---------|-------------|
| 8.7 KG       | 5.05 KG    | 180          | 8        | 1440    | 3-1734795-2 |
| GROSS WEIGHT | NET WEIGHT | PCS/REEL/BOX | REEL/BOX | PCS/BOX | PART NUMBER |
|              |            |              |          |         | 3-1734795-1 |

|   |  |                  |   |           |            |
|---|--|------------------|---|-----------|------------|
| THIS DRAWING IS A CONTROLLED DOCUMENT.  |  | DWN              | TE Connectivity<br>MODULAR JACK CONNECTOR<br>RJ45, 8P8C, SHIELDED<br>TAB UP, DIP TYPE, H=11.3mm |           |            |
| DIMENSIONS: mm  |  | CHK              |   |           |            |
| TOLERANCES UNLESS OTHERWISE SPECIFIED:  |  | APVD             |   |           |            |
| MATERIAL  |  | PRODUCT SPEC     |   |           |            |
| FINISH  |  | APPLICATION SPEC | SIZE  | CAGE CODE | DRAWING NO |
| 0 PLC ± -<br>1 PLC ± 0.3<br>2 PLC ± 0.2<br>3 PLC ± 0.15<br>4 PLC ± -<br>ANGLES ± 3° |  | WEIGHT           | A3  | 00779     | C=1734795  |
|   |  | CUSTOMER DRAWING | RESTRICTED TO   |           |            |
|   |  | SCALE            | SHEET   | 5 of 5    | REV F      |

## X-ON Electronics

Largest Supplier of Electrical and Electronic Components

*Click to view similar products for [Modular Connectors / Ethernet Connectors](#) category:*

*Click to view products by [TE Connectivity](#) manufacturer:*

Other Similar products are found below :

[8949-H88/06BLKA/SN](#) [74441-0010/BKN](#) [MP1010RX-1000](#) [MP44RX-1000](#) [PHJ-4P4C-1-V-4](#) [PHP-6P6C-5](#) [GAX-3-66](#) [GAX-8-62](#) [GDCX-PA-66-50](#) [GDCX-PN-64](#) [GDCX-PN-66](#) [GDCX-PN-66-50](#) [GDLX-A-66](#) [GDLX-N-66](#) [GDLX-S-66](#) [GDLX-S-88K](#) [GDLX-SMT-S-88](#) [GDTX-S-88-50](#) [GDX-PA-1010](#) [GLX-N-1010M-BLK](#) [GLX-S-88M-BLK](#) [GMX-N-1010](#) [GMX-S-1010](#) [GMX-S-66](#) [GMX-SMT4-N-88](#) [GPX-2-64](#) [GSGX-N-2-88](#) [GSGX-N-4-88](#) [GSX-NS2-88-3.05](#) [GSX-NS2-88-3.05-50](#) [GSX-NS-88-3.05-50](#) [PT-108A-8C-UL](#) [PT-J951-8C](#) [PTS-J531-8CS-50UL](#) [1-1775629-2](#) [A-2014-0-4](#) [GWLX-S-88-GR](#) [GWLX-S9-88-YG](#) [DC-1021-8-WH-6](#) [1300530003](#) [1324640-4](#) [RJ11FTVC2G](#) [RJ11FTVC2N](#) [RJFTVX2SA1G](#) [132764-001](#) [1413235](#) [MP88X-1000](#) [MPS88RX-5000](#) [E5288-S000K3-L](#) [E5908-15A242-L](#)