

4

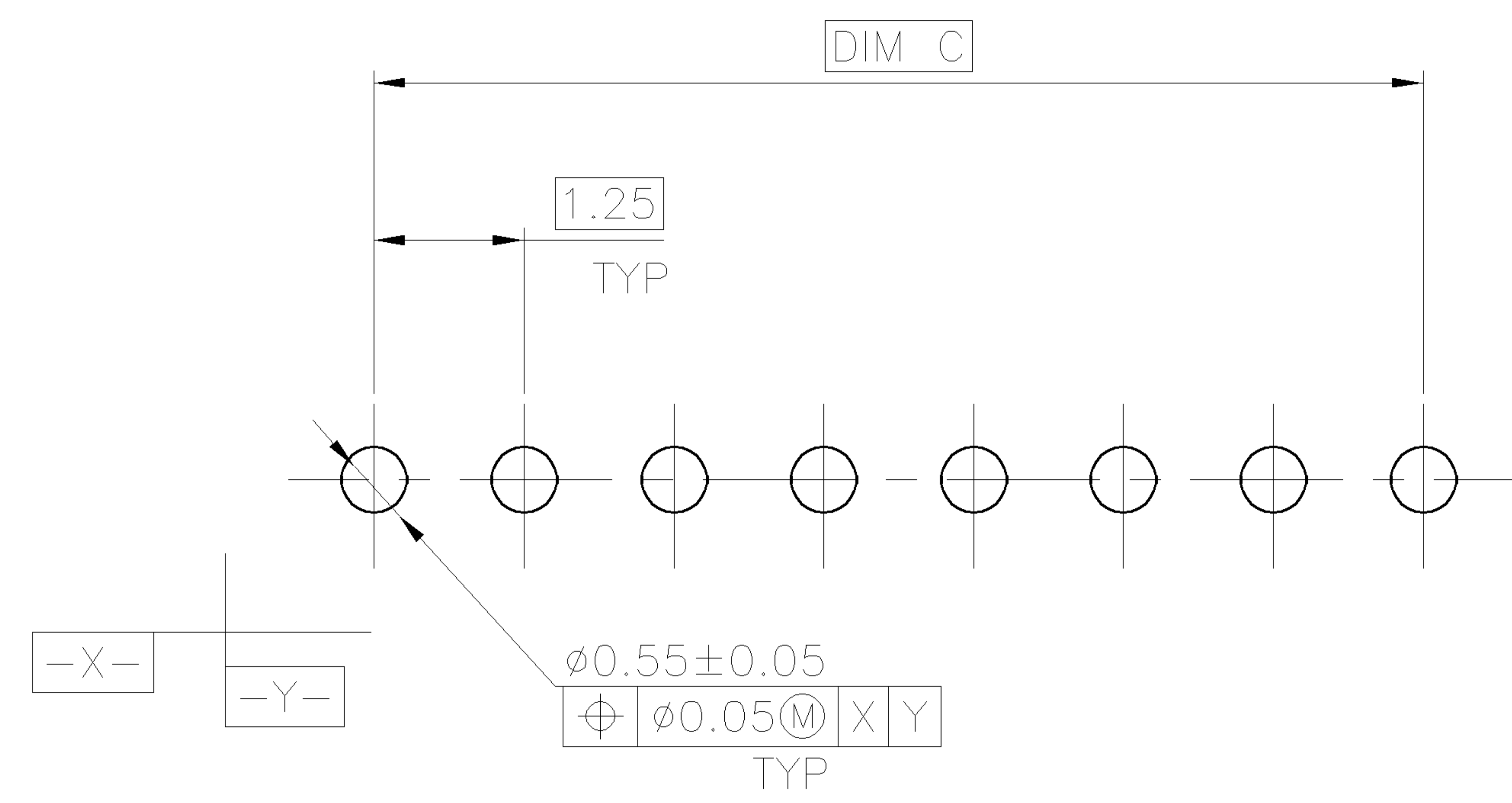
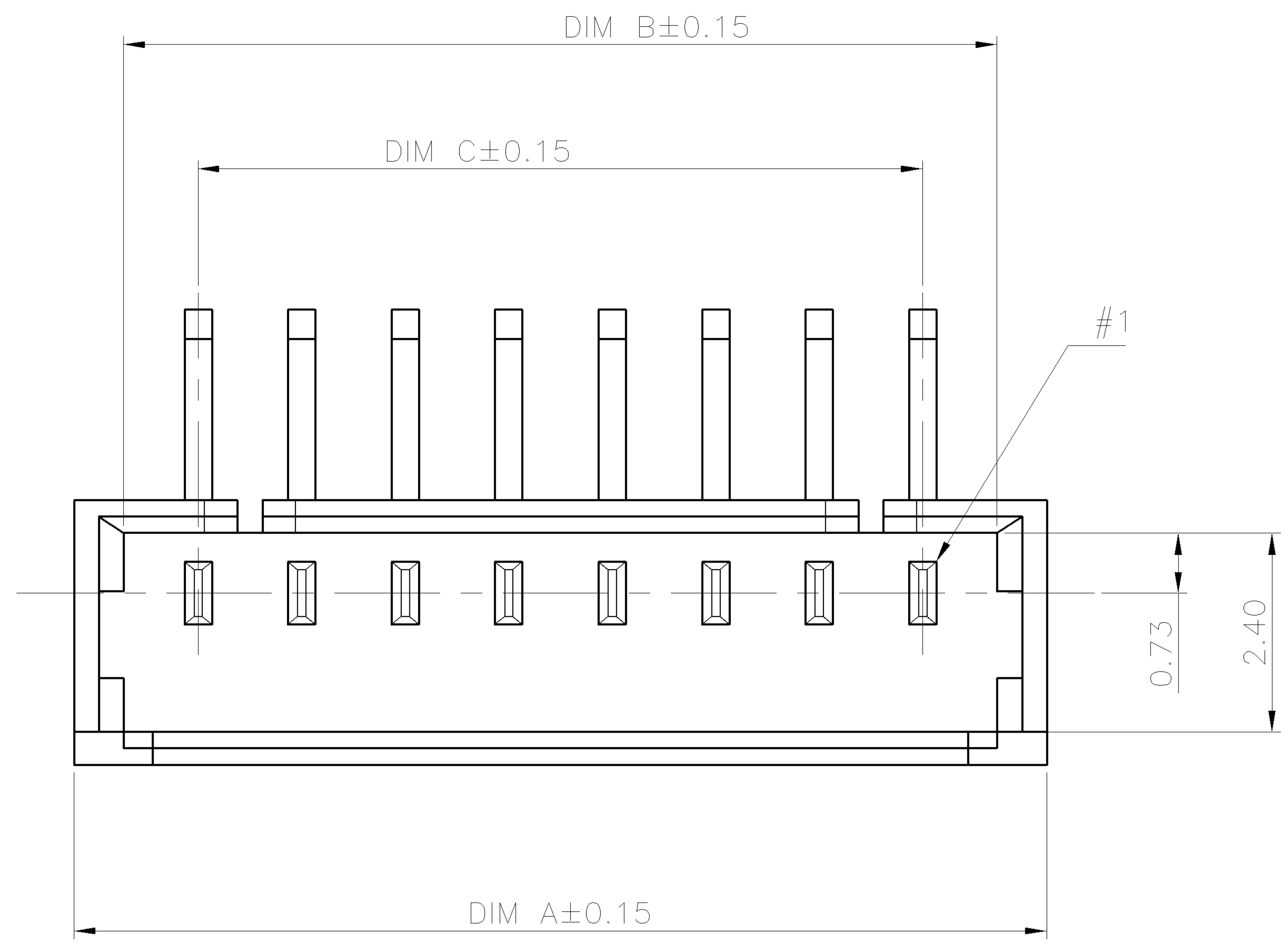
3

2

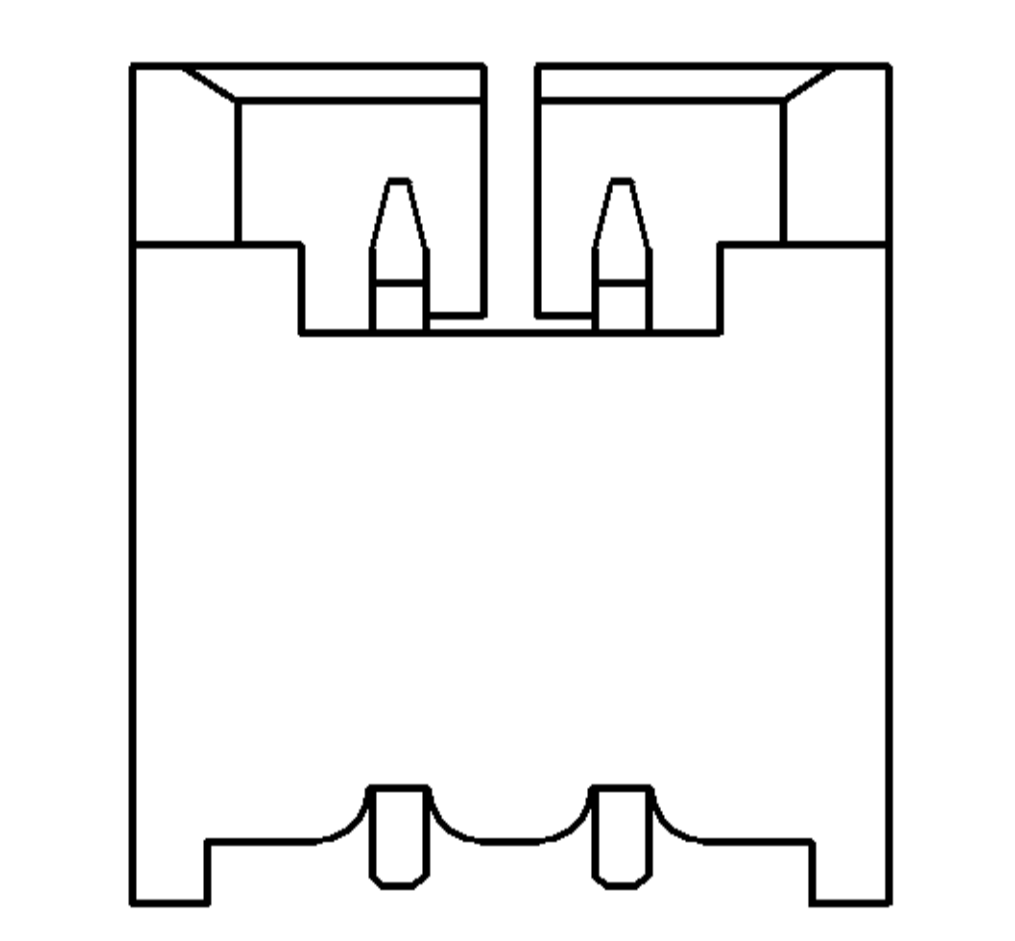
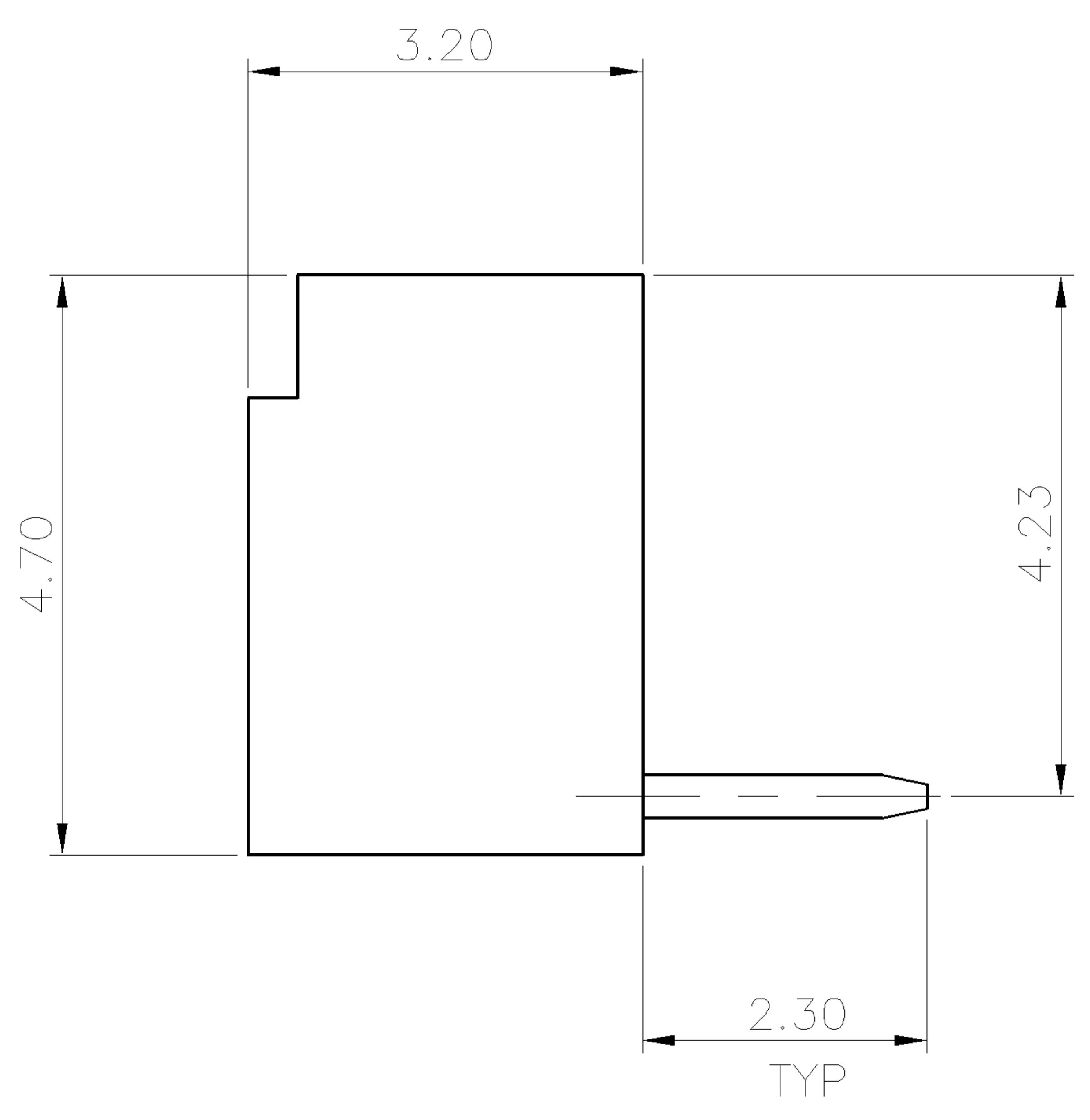
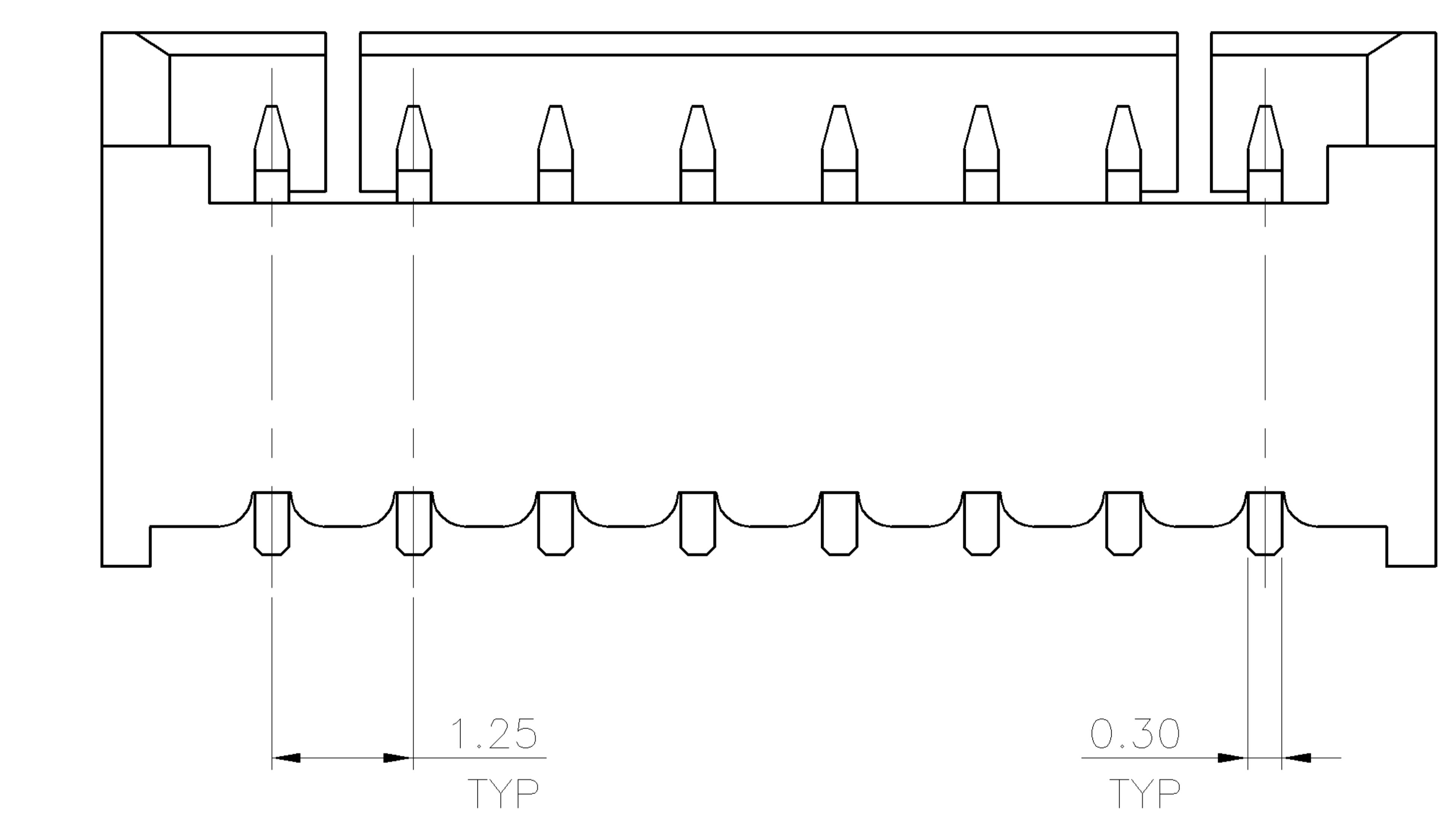
1

THIS DRAWING IS UNPUBLISHED. RELEASED FOR PUBLICATION  
 © COPYRIGHT - BY - ALL RIGHTS RESERVED.

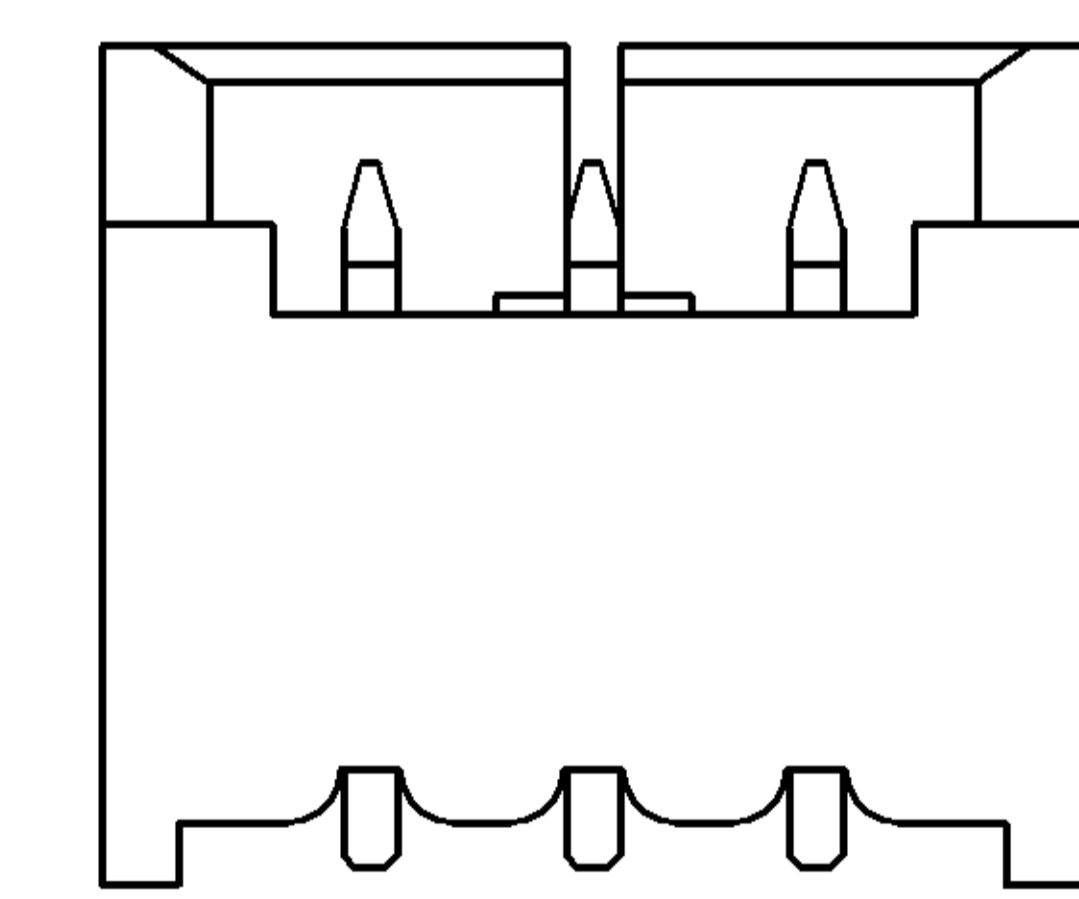
LOC DW	DIST -	REVISIONS			
P	LTR	DESCRIPTION	DATE	DWN	APVD
	A1	REVISED PER ECO-11-005301	6APR11	RK	HMR



RECOMMENDED PCB LAYOUT



2 PIN



3 PIN

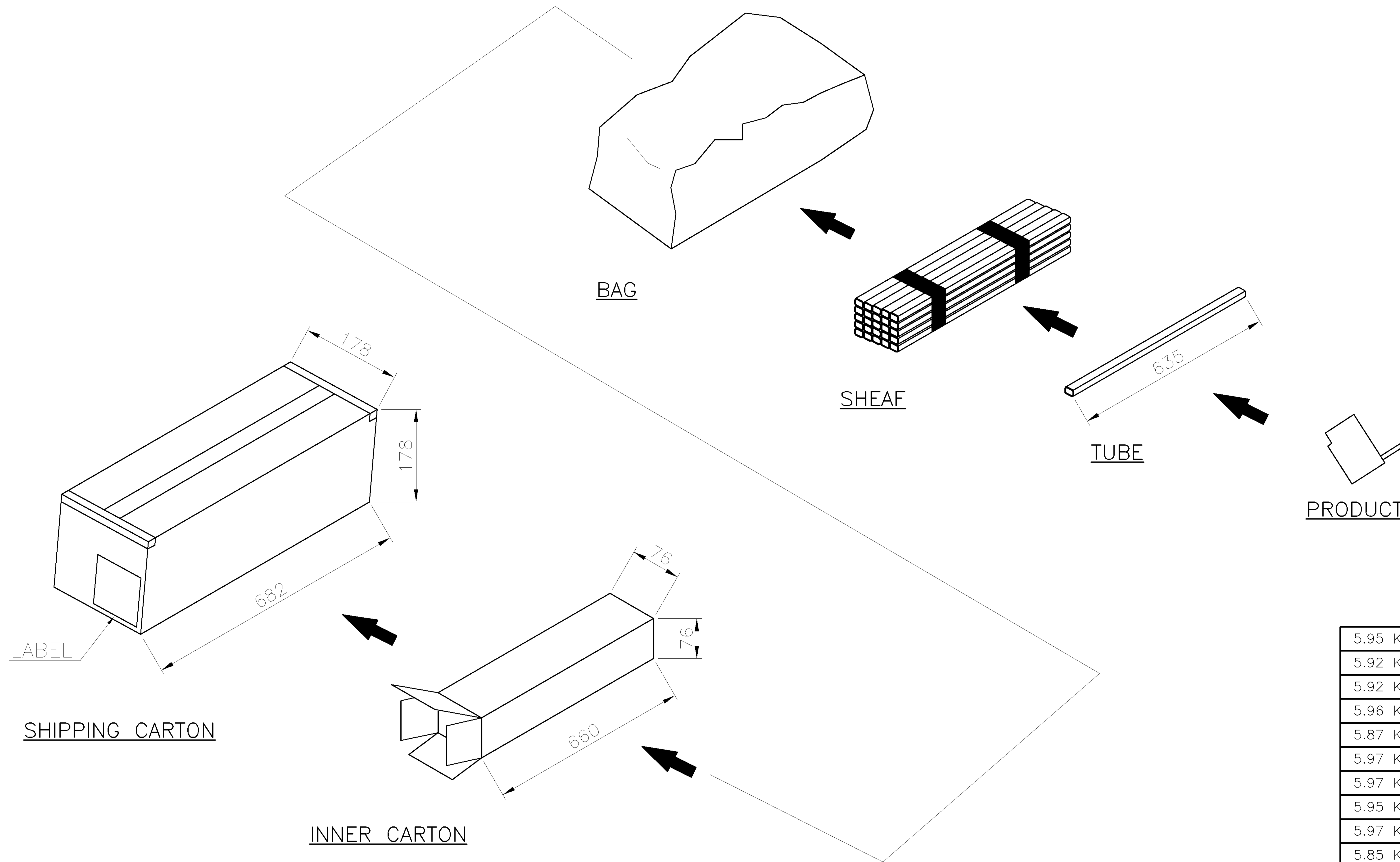
0.36g	17.50	19.30	20.50	15	1-1734829-5
0.34g	16.25	18.05	19.25	14	1-1734829-4
0.32g	15.00	16.80	18.00	13	1-1734829-3
0.30g	13.75	15.55	16.75	12	1-1734829-2
0.27g	12.50	14.30	15.50	11	1-1734829-1
0.26g	11.25	13.05	14.25	10	1-1734829-0
0.23g	10.00	11.80	13.00	09	1734829-9
0.21g	8.75	10.55	11.75	08	1734829-8
0.19g	7.50	9.30	10.50	07	1734829-7
0.16g	6.25	8.05	9.25	06	1734829-6
0.14g	5.00	6.80	8.00	05	1734829-5
0.12g	3.75	5.55	6.75	04	1734829-4
0.10g	2.50	4.30	5.50	03	1734829-3
0.08g	1.25	3.05	4.25	02	1734829-2
WEIGHT	C	B	A	NO. OF CONTACTS	PART NUMBER
	DIMENSIONS				

- NOTE:
- MATERIAL:  
HOUSING: PA9T WITH 33% GF, UL 94V-0, NATURE COLOR.  
CONTACTS: PHOSPHOR BRONZE.
  - FINISH:  
CONTACTS: 2.54μm [100μ"] MIN. MATTE-TIN OVER  
1.27μm [50μ"] MIN. NICKEL ON ENTIRE CONTACT.
  - WAVE SOLDER CAPABLE TO 265°C PER TE Connectivity TEST SPEC. 109-202, CONDITION B.

THIS DRAWING IS A CONTROLLED DOCUMENT.		DWN H. HUANG 31MAY2007	TE Connectivity		
		CHK S. HOU 31MAY2007			
		APVD W.J. KE 31MAY2007	NAME		
		PRODUCT SPEC 108-57499	1.25MM PITCH, WIRE TO BOARD CONNECTOR HEADER, R/A, DIP TYPE		
		QUALIFICATION TEST REPORT 501-57573	SIZE A3	CAGE CODE 00779	DRAWING NO C-1734829
MATERIAL SEE NOTE		FINISH SEE NOTE	WEIGHT SEE TABLE	RESTRICTED TO -	
CUSTOMER DRAWING			SCALE -	SHEET 1 OF 2	REV A1

THIS DRAWING IS UNPUBLISHED. RELEASED FOR PUBLICATION  
 © COPYRIGHT - BY - ALL RIGHTS RESERVED.

LOC	DIST	REVISIONS			
P	LTR	DESCRIPTION	DATE	DWN	APVD
		SEE SHEET 1.			



GROSS WEIGHT	NET WEIGHT	PCS/TUBE	TUBES / CARTON	QUANTITY	NO. OF POS.
5.95 Kg	2.18 Kg	30	200	6000 PCS	15
5.92 Kg	2.15 Kg	32		6400 PCS	14
5.92 Kg	2.15 Kg	34		6800 PCS	13
5.96 Kg	2.19 Kg	36		7200 PCS	12
5.87 Kg	2.10 Kg	39		7800 PCS	11
5.97 Kg	2.20 Kg	43		8600 PCS	10
5.97 Kg	2.20 Kg	47		9400 PCS	09
5.95 Kg	2.18 Kg	52		10400 PCS	08
5.97 Kg	2.21 Kg	58		11600 PCS	07
5.85 Kg	2.11 Kg	66		13200 PCS	06
5.93 Kg	2.16 Kg	76		15200 PCS	05
5.93 Kg	2.16 Kg	90		18000 PCS	04
5.95 Kg	2.18 Kg	110		22000 PCS	03
5.92 Kg	2.14 Kg	141		28200 PCS	02

THIS DRAWING IS A CONTROLLED DOCUMENT.		DWN H. HUANG 31MAY2007	TE Connectivity NAME <b>1.25MM PITCH, WIRE TO BOARD CONNECTOR HEADER, R/A, DIP TYPE</b>			
DIMENSIONS: MM		CHK S. HOU 31MAY2007				
		APVD W.J. KE 31MAY2007				
TOLERANCES UNLESS OTHERWISE SPECIFIED:		PRODUCT SPEC				
0 PLC ± - 1 PLC ± - 2 PLC ± - 3 PLC ± - 4 PLC ± - ANGLES ± -		APPLICATION SPEC	SIZE	CAGE CODE	DRAWING NO	RESTRICTED TO
MATERIAL		WEIGHT	A3	00779	G=1734829	-
CUSTOMER DRAWING			SCALE	SHEET	REV	
			-	2 OF 2	A1	

## X-ON Electronics

Largest Supplier of Electrical and Electronic Components

*Click to view similar products for [Headers & Wire Housings](#) category:*

*Click to view products by [TE Connectivity](#) manufacturer:*

Other Similar products are found below :

[892-18-020-10-001101](#) [58102-G61-06LF](#) [582553-1](#) [0009485154](#) [009176003701906](#) [0050291907](#) [LY20-4P-DT1-P1E-BR](#) [02.125.8002.8](#)  
[609-3404](#) [61062-3](#) [61082-181009](#) [622-3653LF](#) [63453-116](#) [636-1030](#) [636-1427](#) [636-3427](#) [636-4007](#) [641938-9](#) [641991-4](#) [644827-2](#) [65817-010LF](#) [65817-015LF](#) [65863-015LF](#) [66207-023LF](#) [67095-007LF](#) [67601157](#) [68645-018](#) [68648-049](#) [70.362.1628.0](#) [70-4210](#) [70-4226B](#) [70-4853B](#) [707-5020](#) [707-5028](#) [71.350.2428.0](#) [71918-208LF](#) [71961-016LF](#) [733-134](#) [733-162](#) [754199-000](#) [760-3052](#) [787-8014-00](#) [79531-3000](#)  
[FCN-360C032-B](#) [FCN-367T-T012/H](#) [FCN-723D010/2](#) [80.063.4001.1](#) [800-90-001-10-001000](#) [800-90-010-10-002000](#) [801-43-002-10-013000](#)