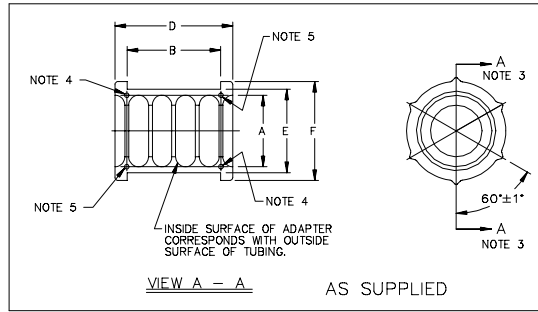


Thermofit[®] Molded Parts Specification Control Drawing

Part Number : 202C221 thru 305
Description : Adapter, Split-Type Convolex Tubing

NOTES

- All dimensions are in $\frac{\text{Inches}}$ [Millimeters]
- Dimensions appearing in table are as follows:
a - As Supplied
(SEE REVERSE SIDE FOR ADDITIONAL NOTES)



PART NUMBER	FIT CONVOLEX TUBING SIZE	A	B	D	E	F
		± 0.02 [± 0.51] a	a	± 0.03 [± 0.76] a	± 0.02 [± 0.51] a	MAX
202C221	9/32	.41 [10.4]	.52±.01 [13.2±0.25]	.66 [16.8]	.51 [13.0]	.65 [16.5]
202C231	3/8	.51 [13.0]	.52±.01 [13.2±0.25]	.66 [16.8]	.63 [16.0]	.78 [19.8]
202C241	7/16	.59 [15.0]	.52±.01 [13.2±0.25]	.76 [19.3]	.69 [17.5]	.84 [21.3]
202C251	1/2	.65 [16.5]	.52±.01 [13.2±0.25]	.76 [19.3]	.76 [19.3]	.91 [23.1]
202C261	5/8	.78 [19.8]	.52±.01 [13.2±0.25]	.76 [19.3]	.87 [22.1]	1.02 [25.9]
202C272	3/4	.92 [23.4]	.52±.01 [13.2±0.25]	.76 [19.3]	1.06 [26.9]	1.21 [30.7]
202C282	7/8	1.07 [27.2]	.52±.01 [13.2±0.25]	.76 [19.3]	1.19 [30.2]	1.34 [34.0]
202C292	1	1.19 [30.2]	.52±.01 [13.2±0.25]	.76 [19.3]	1.31 [33.3]	1.46 [37.1]
202C302	1-1/4	1.43 [36.3]	.52±.01 [13.2±0.25]	.76 [19.3]	1.56 [39.6]	1.71 [43.4]
202C305	1-5/8	1.72 [43.7]	.52±.02 [13.2±0.51]	.76 [19.3]	1.97 [50.0]	2.12 [53.8]

Raychem
RAYCHEM CORPORATION
300 CONSTITUTION DRIVE
MENLO PARK, CALIFORNIA 94025

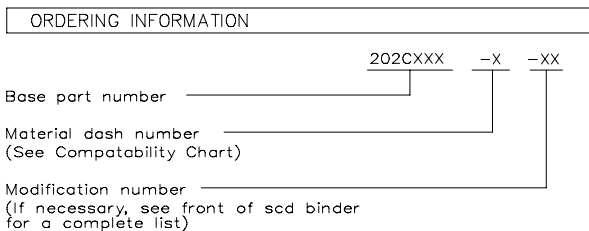
Revision : J
Date : 6/14/90

Part Number : 202C221 thru 305
Description : Adapter, Split-Type Convolex Tubing

Thermofit[®] Molded Parts Specification Control Drawing

Part Number : 202C221 thru 305
Description : Adapter, Split-Type Convolex Tubing

MATERIAL DASH NO.	MATERIAL DESCRIPTION	RT SPEC	COATING SLASH NO.	COATING S NO.	COATING DESCRIPTION
-13	Nylon, Glass Filled				



NOTES

- Adapters consist of two mating halves.
- Mating holes for dowel pins.
- Dowel Pins.
- Dimension sized to accommodate standard AN 742 or MS 21919 cable clamp so adapter may be used as clamp body.

THIS DRAWING IS SUBJECT TO CHANGE WITHOUT NOTICE; CONSULT YOUR NEAREST FIELD REPRESENTATIVE FOR CURRENT REVISION

Raychem
RAYCHEM CORPORATION
300 CONSTITUTION DRIVE
MENLO PARK, CALIFORNIA 94025

Revision : J
Date : 6/14/90

Part Number : 202C221 thru 305
Description : Adapter, Split-Type Convolex Tubing

X-ON Electronics

Largest Supplier of Electrical and Electronic Components

Click to view similar products for [Cable Mounting & Accessories](#) category:

Click to view products by [TE Connectivity](#) manufacturer:

Other Similar products are found below :

[HP-4N](#) [582603-1](#) [009333-000](#) [727844N003](#) [809090N001](#) [8109](#) [843188-000](#) [843459N001](#) [843460N003](#) [8666](#) [967279N002](#) [GPQC1/0](#) [DB-11](#) [1300830208](#) [1300840039](#) [1300900026](#) [1300990052](#) [1301740005](#) [1301800121](#) [1301800416](#) [1300830184](#) [1300990149](#) [1301580036](#) [1301720103](#) [1301720135](#) [1301720152](#) [1301720157](#) [1301740009](#) [1301770011](#) [1301850553](#) [1301860939](#) [1302000074](#) [1302264431](#) [1337706-2](#) [APA18-AK](#) [MTX6UTPSRC-C](#) [1-787307-1](#) [185491N001](#) [HP-6N](#) [C-202-C](#) [202C221-13-0](#) [OMTM-S10-C0](#) [205339-4](#) [CA7308-000](#) [8S23-75FR-CS8184](#) [2684](#) [9648](#) [3089](#) [988382-000](#) [A0270164](#)