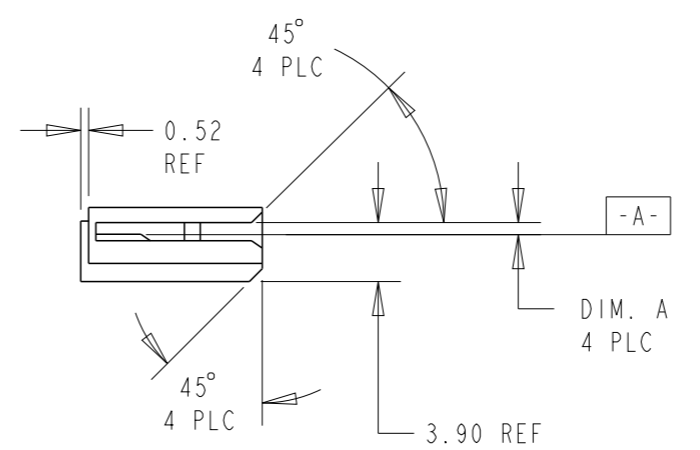
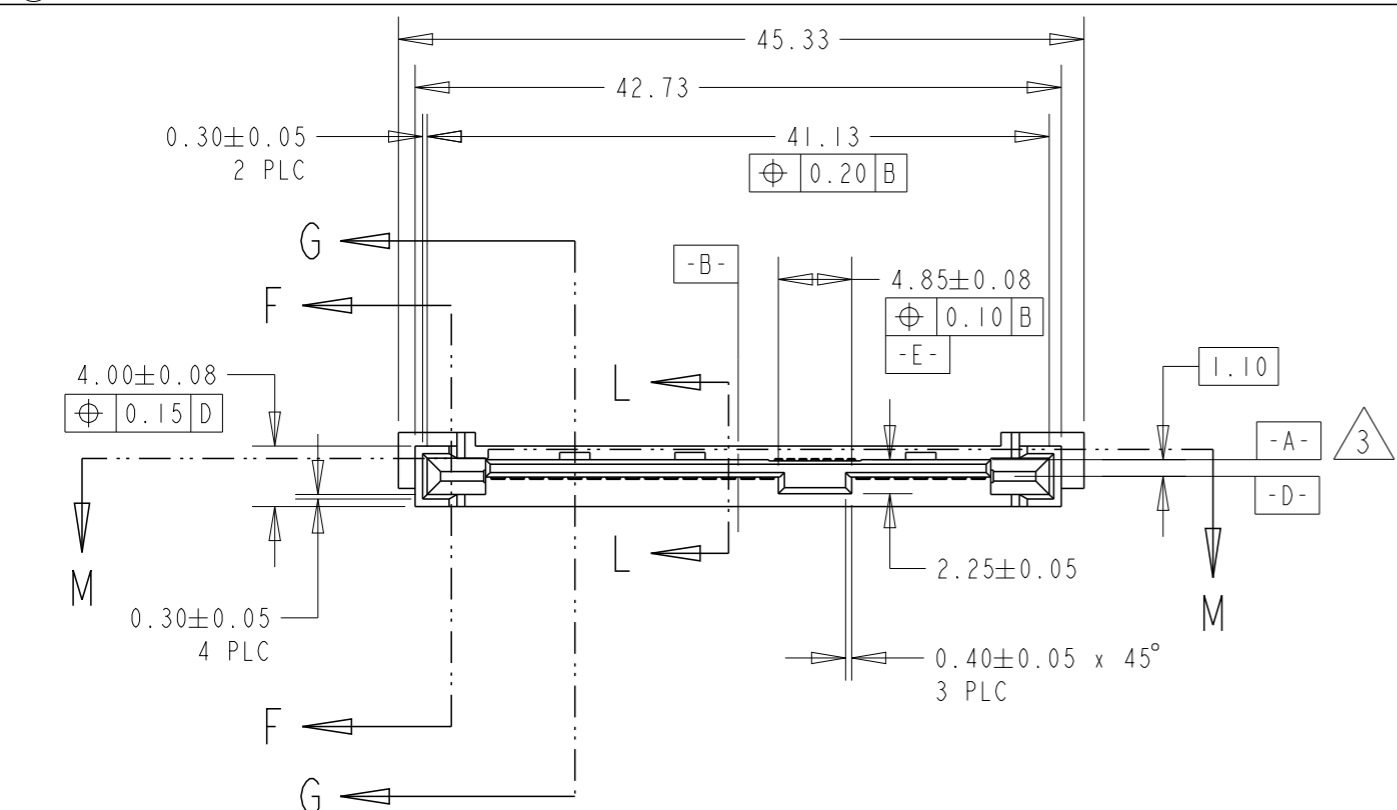
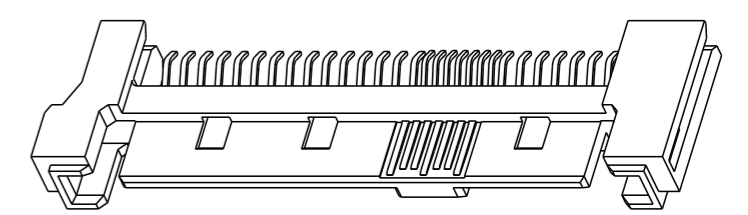


THIS DRAWING IS UNPUBLISHED. RELEASED FOR PUBLICATION 20
 © COPYRIGHT 20 BY - ALL RIGHTS RESERVED.

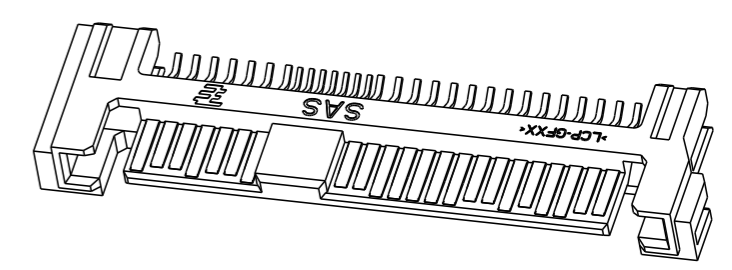
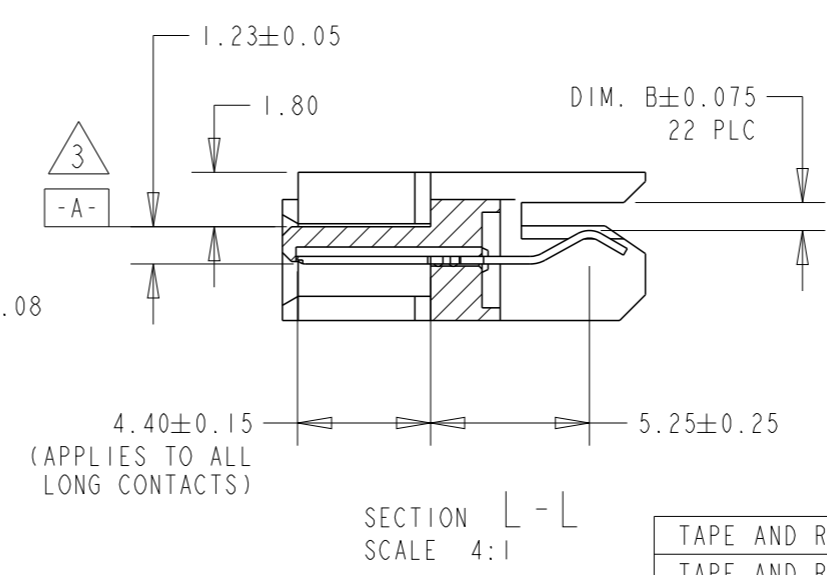
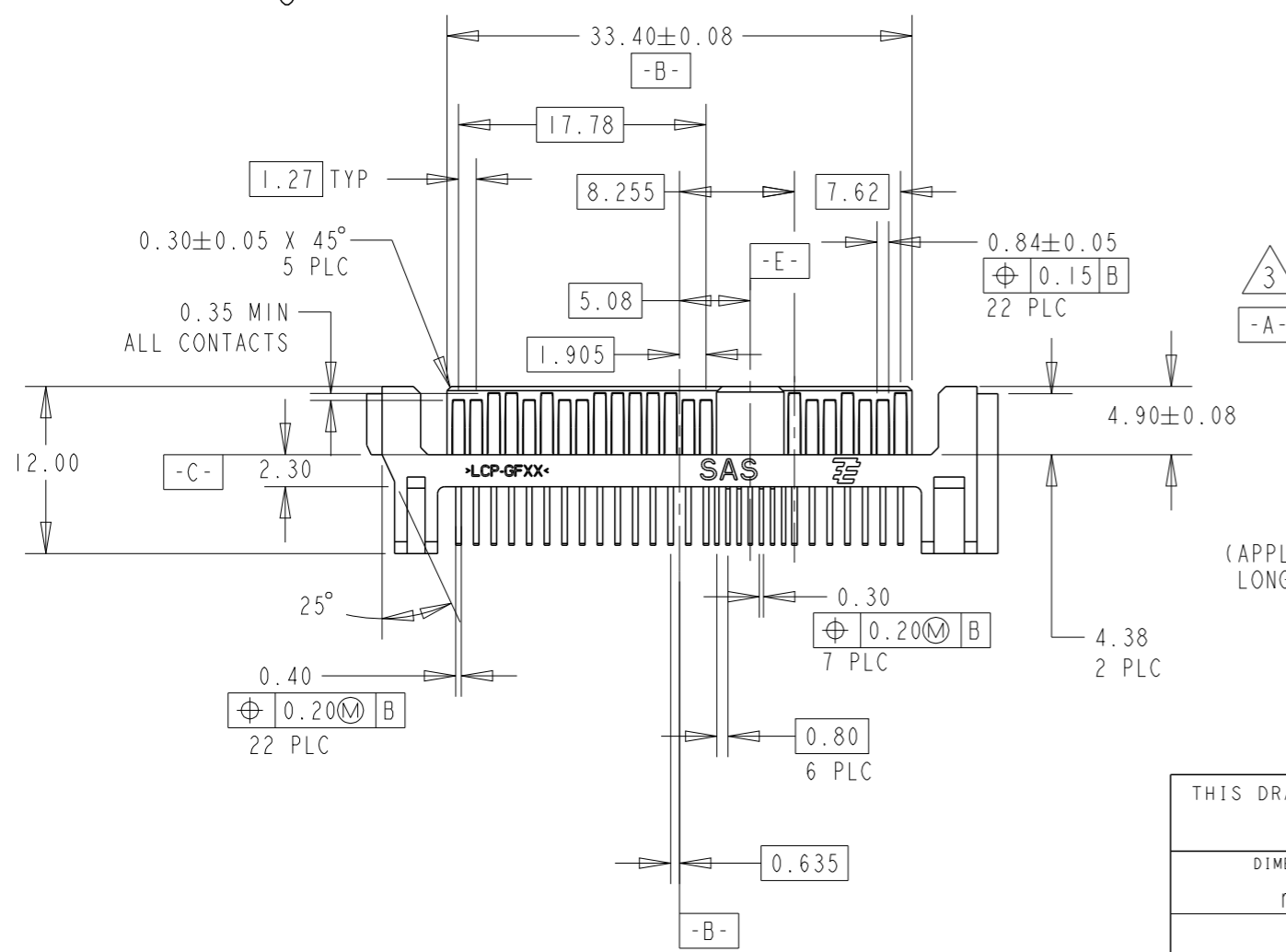
REVISIONS				
P	LTR	DESCRIPTION	DATE	APVD
C2		REVISED PER ECR-15-009763	30JUN2015	S.W W.H



NOTES:
 1 MATERIAL
 HOUSING: HIGH TEMPERATURE THERMOPLASTICS,
 GLASS FILLED, BLACK, UL94V-0,
 REGRIND 25% MAXIMUM
 CONTACT: COPPER ALLOY
 2 FINISH
 0.76um MINIMUM GOLD ON MATING AREA AND 1.91um
 MINIMUM MATTE TIN (LEAD-FREE) ON SOLDER AREA,
 BOTH OVER 1.27um MIN NICKEL
 3 -A- IS DEFINED AS TOP SURFACE OF HOUSING



SCALE 2:1



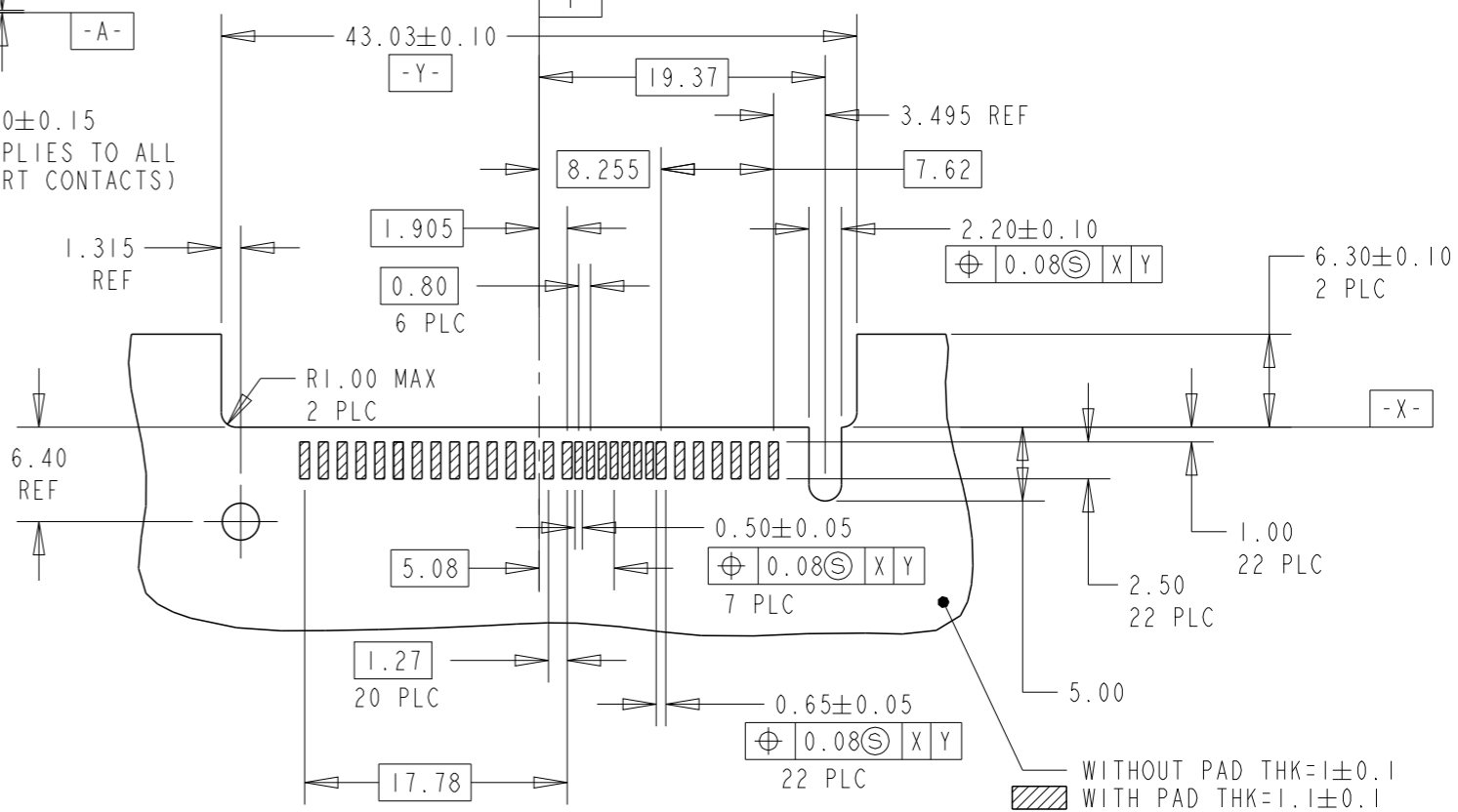
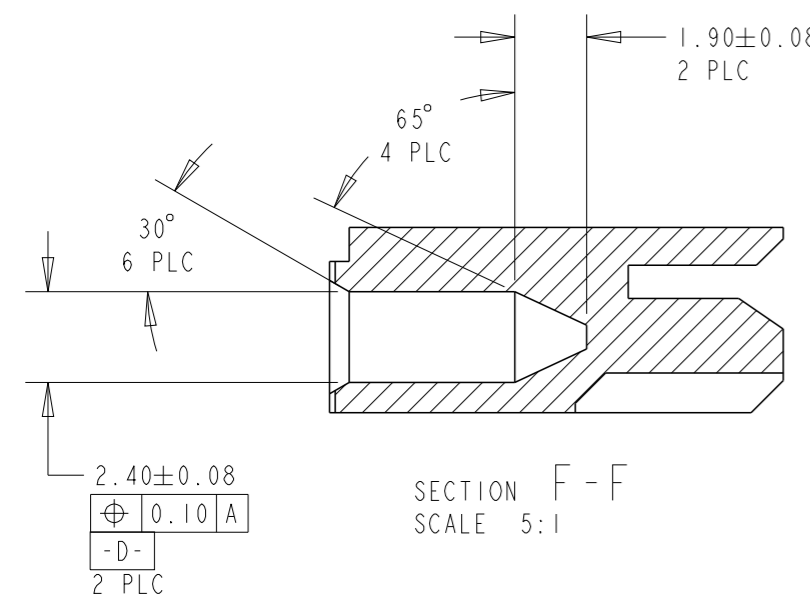
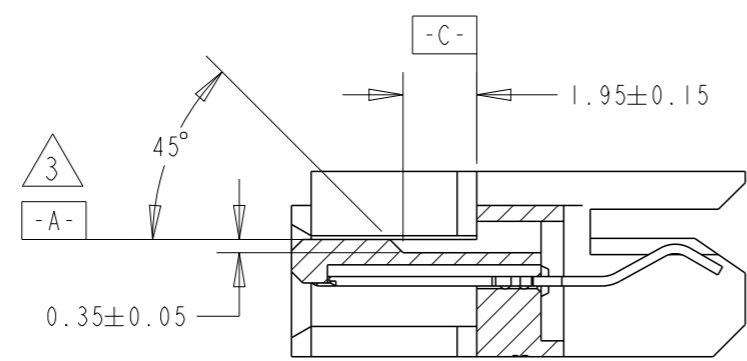
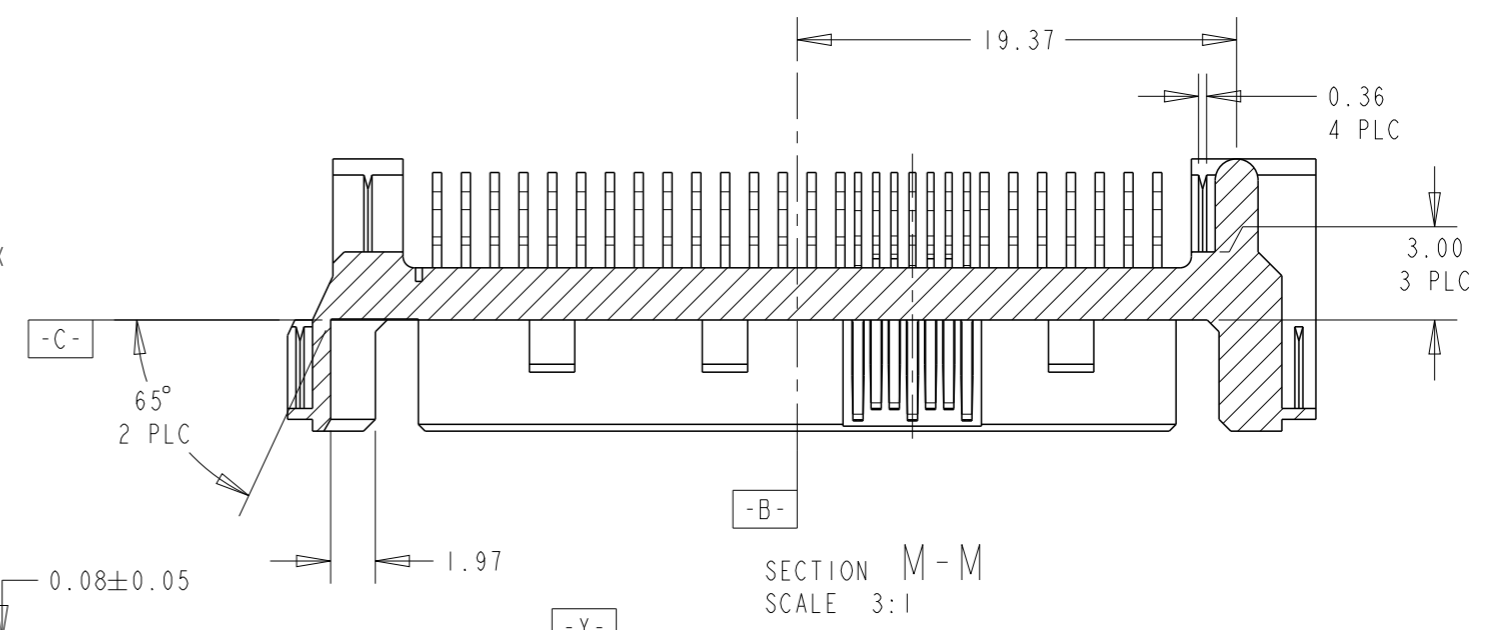
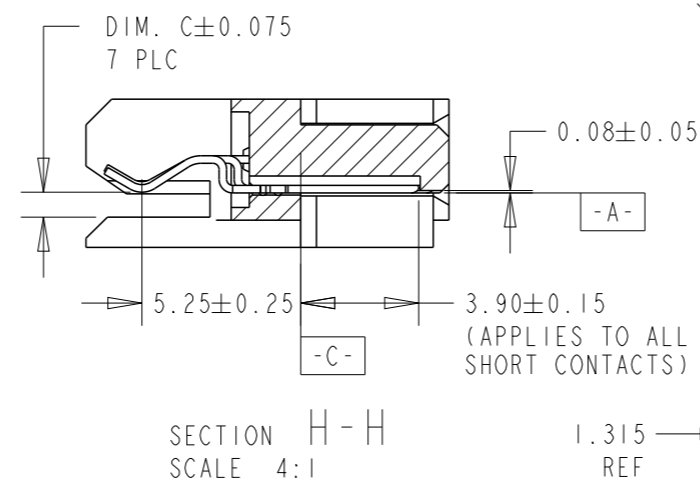
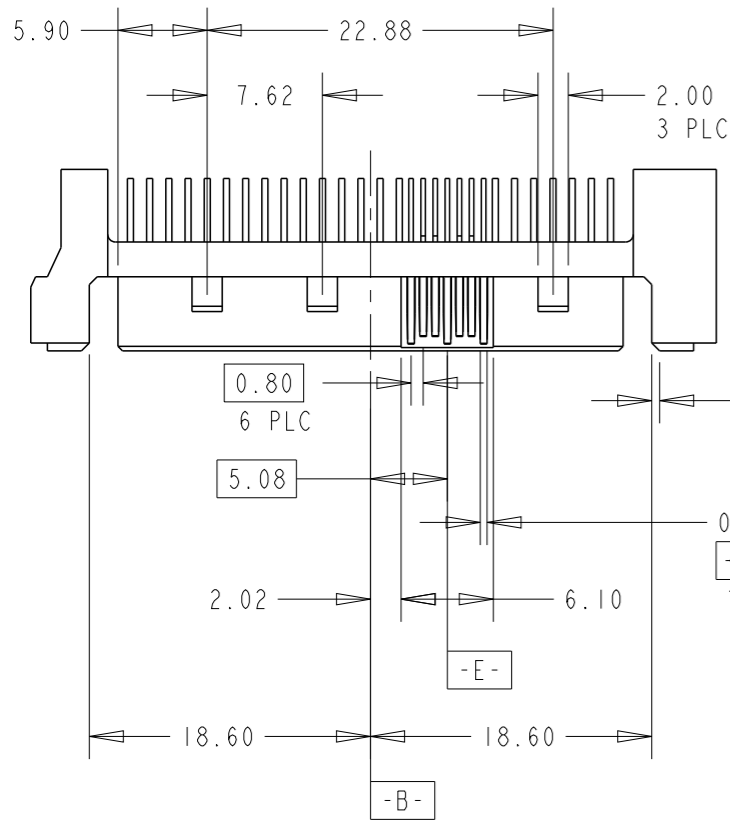
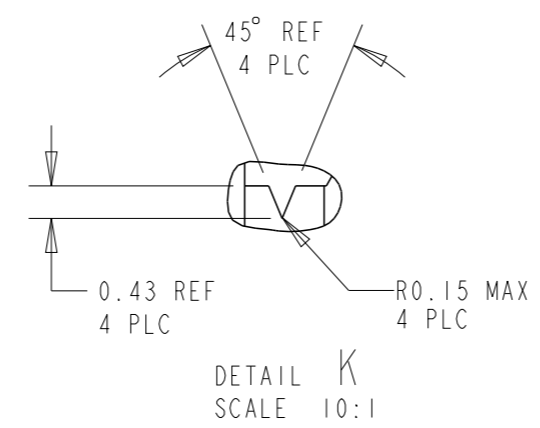
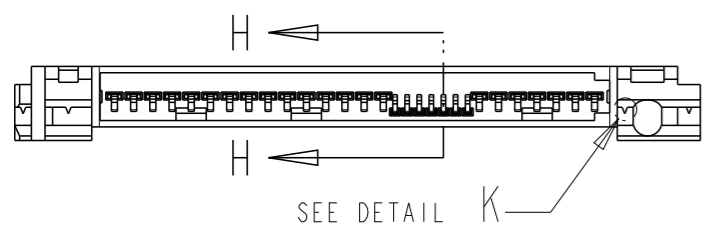
SCALE 2:1

PACKAGING	DIM. C	DIM. B	DIM. A	PART NO.
TAPE AND REEL	0.715	0.815	0.69	1735078-3
TAPE AND REEL	0.825	0.925	0.80	1735078-2
TRAY	0.825	0.925	0.80	1735078-1


THIS DRAWING IS A CONTROLLED DOCUMENT.		DWN WYLEE 15SEP04	STE TE Connectivity	
DIMENSIONS: mm		CHK AP TAY 09MAR2015		
TOLERANCES UNLESS OTHERWISE SPECIFIED:		APVD SF LEONG 09MAR2015	NAME PLUG, SAS 15+7+7P	
0 PLC ±-		PRODUCT SPEC -	SIZE A3	
1 PLC ±-		APPLICATION SPEC -	CAGE CODE -	DRAWING NO C-1735078
2 PLC ±0.15		WEIGHT -	RESTRICTED TO -	
3 PLC ±0.15		CUSTOMER DRAWING	SCALE 2:1	SHEET 1 OF 3
4 PLC ±-				REV C2
ANGLES ±2°				
FINISH				

THIS DRAWING IS UNPUBLISHED. RELEASED FOR PUBLICATION 20
 © COPYRIGHT 20 BY - ALL RIGHTS RESERVED.

REVISIONS					
P	LTR	DESCRIPTION	DATE	DWN	APVD
		SEE SHEET 1			



WITHOUT PAD THK=1±0.1
 WITH PAD THK=1.1±0.1

THIS DRAWING IS A CONTROLLED DOCUMENT.		DWN WYLEE 15SEP04	 TE Connectivity	
DIMENSIONS: mm		CHK AP TAY 09MAR2015		
TOLERANCES UNLESS OTHERWISE SPECIFIED:		APVD SF LEONG 09MAR2015	NAME PLUG, SAS 15+7+7P	
0 PLC ±-	1 PLC ±-	PRODUCT SPEC -	APPLICATION SPEC -	
2 PLC ±0.15	3 PLC ±0.15	WEIGHT -		RESTRICTED TO -
4 PLC ±-	ANGLES ±2°	SIZE A3		CAGE CODE -
MATERIAL 1	FINISH 2	DRAWING NO C-1735078		SCALE 2:1
CUSTOMER DRAWING		SHEET 2 OF 3		REV C2

4

3

2

1

THIS DRAWING IS UNPUBLISHED.

RELEASED FOR PUBLICATION

20

REVISIONS

© COPYRIGHT 20 BY -

ALL RIGHTS RESERVED.

P	LTR	DESCRIPTION	DATE	DWN	APVD
		SEE SHEET 1			

Dimensions and features:


- Top view dimensions: 20 ± 0.20 , 4 ± 0.10 , 2 ± 0.20 , 5.70 ± 0.30 , 0.5 ± 0.05 , 45.73 ± 0.30 , 68.4 ± 0.15 , 72 ± 0.30 , 12.30 ± 0.30 , 13.50 ± 0.30 .
- Side view dimensions: 47.6 ± 0.30 .
- Internal features: $\phi 1.50^{+0.10}_0$, $\phi 2.00$.
- Other features: 1.75 ± 0.10 .
- Labels: "SAS", "SEE DETAIL N", "USER DIRECTION" (indicated by an arrow).

NOTE:

- PACKAGING QUANTITY: 800 PCS PER REEL.
- REEL: $\phi 380$ mm-100 mm HUB.
- GENERAL TOLERANCE: ± 0.5 , $\pm 3^\circ$.

DETAIL N
SCALE 8:1

Dimensions: $\phi 1.50^{+0.10}_0$, 0.20 .

THIS DRAWING IS A CONTROLLED DOCUMENT.		DWN WYLEE	15SEP04	 TE Connectivity													
DIMENSIONS: mm		CHK AP TAY	09MAR2015														
TOLERANCES UNLESS OTHERWISE SPECIFIED:		APVD SF LEONG	09MAR2015	NAME PLUG, SAS 15+7+7P													
<table border="0"> <tr><td>0 PLC</td><td>±-</td></tr> <tr><td>1 PLC</td><td>±-</td></tr> <tr><td>2 PLC</td><td>±0.15</td></tr> <tr><td>3 PLC</td><td>±0.15</td></tr> <tr><td>4 PLC</td><td>±-</td></tr> <tr><td>ANGLES</td><td>±2°</td></tr> </table>		0 PLC	±-	1 PLC	±-	2 PLC	±0.15	3 PLC	±0.15	4 PLC	±-	ANGLES	±2°	PRODUCT SPEC -		APPLICATION SPEC -	
0 PLC	±-																
1 PLC	±-																
2 PLC	±0.15																
3 PLC	±0.15																
4 PLC	±-																
ANGLES	±2°																
MATERIAL -		FINISH -		RESTRICTED TO -													
		WEIGHT -		SIZE A3	CAGE CODE -												
		CUSTOMER DRAWING		DRAWING NO C-1735078	SCALE 3:2												
				SHEET 3 OF 3	REV C2												

1470-19 (3/13)

X-ON Electronics

Largest Supplier of Electrical and Electronic Components

Click to view similar products for [I/O Connectors](#) category:

Click to view products by [TE Connectivity](#) manufacturer:

Other Similar products are found below :

[571763P](#) [58098-0628](#) [72.250.1628.2](#) [72.250.2428.2](#) [74720-0505](#) [76.350.0729.0](#) [76871-1403](#) [FCN-244F080-G/1](#) [FCN-260A9920](#) [PCR-E36PM](#) [PCS-XE26MA+](#) [G38A71314B](#) [1571250010](#) [157-22500-3](#) [MS3471L14-19P L/C](#) [172501-4002](#) [172501-6002](#) [FCN-260C008-A/L0](#) [FCN-260C024-AL0](#) [FCN-261Z008](#) [2000314-1](#) [200331-1](#) [PCR-E36FC+](#) [PCS-E28FS+](#) [PCS-XE26SLFD+](#) [PCS-XE26SLFDT+](#) [G730VID08BDC24](#) [U90B2054081210](#) [38113800006](#) [DP3AR020WQ1R200](#) [Z4.102.0680.0](#) [500-1040](#) [500-1052](#) [500-1054](#) [ZP-4008-66L](#) [0709821002](#) [DX40-20P\(55\)](#) [5554841-1](#) [MS3474W18-8P-LC*](#) [U90B3054061110](#) [U65-E04-4020](#) [ZPF000000000097891](#) [747360449](#) [10099439-003C-TRLF](#) [10137239-0021LF](#) [E9320-001-01](#) [10137239-0011LF](#) [70289-001LF](#) [70.060.1028.0](#) [109029-ZZ](#)