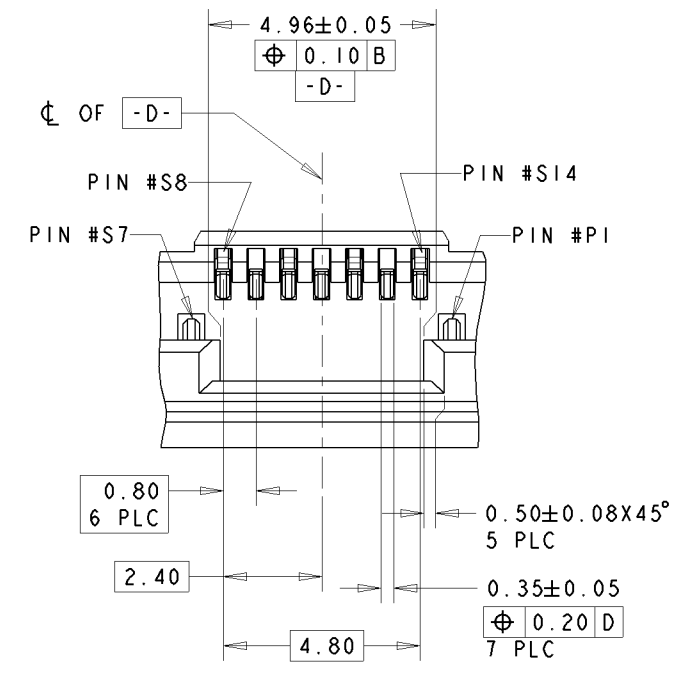
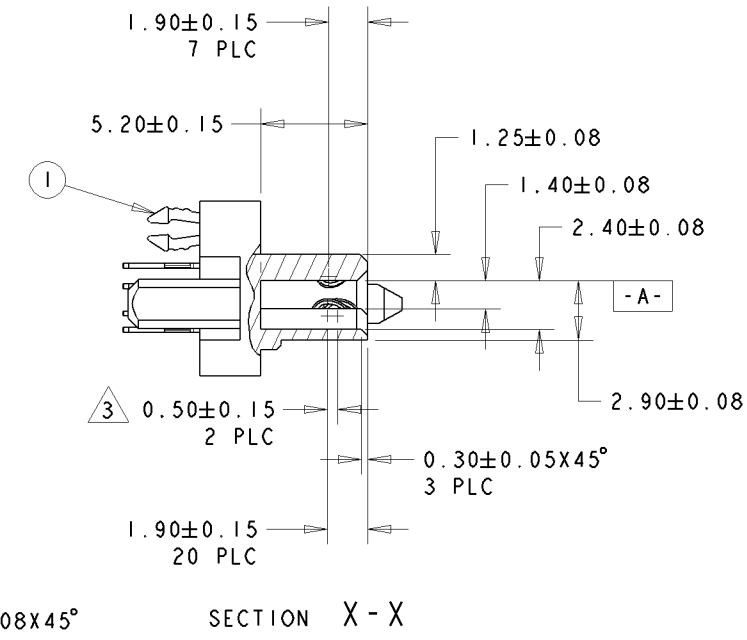
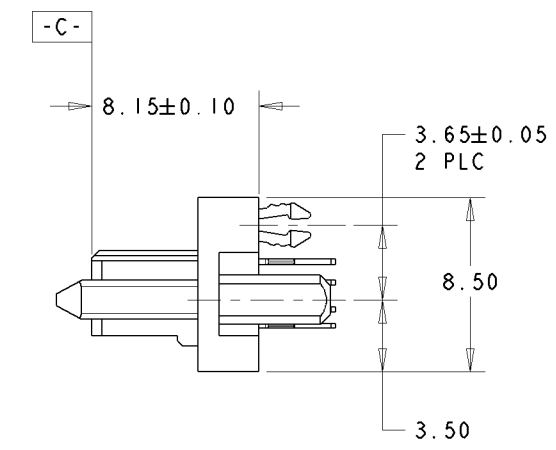
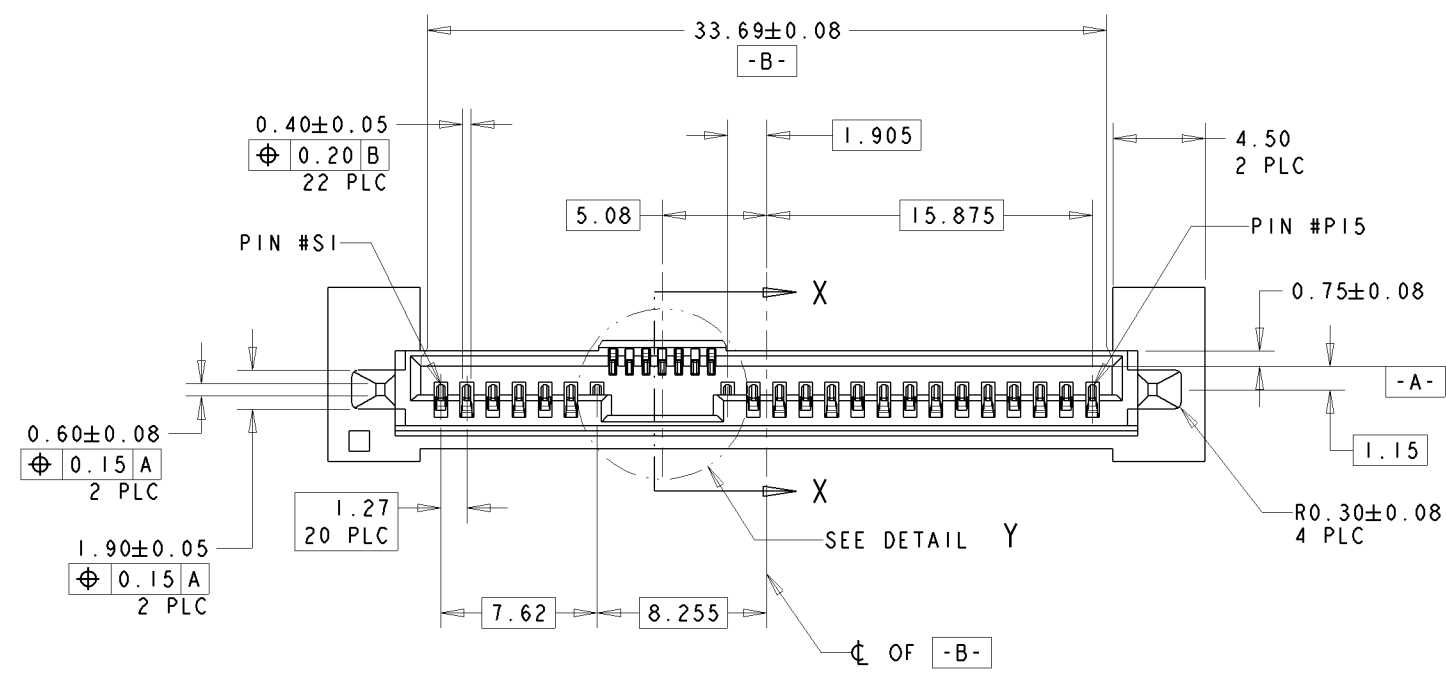


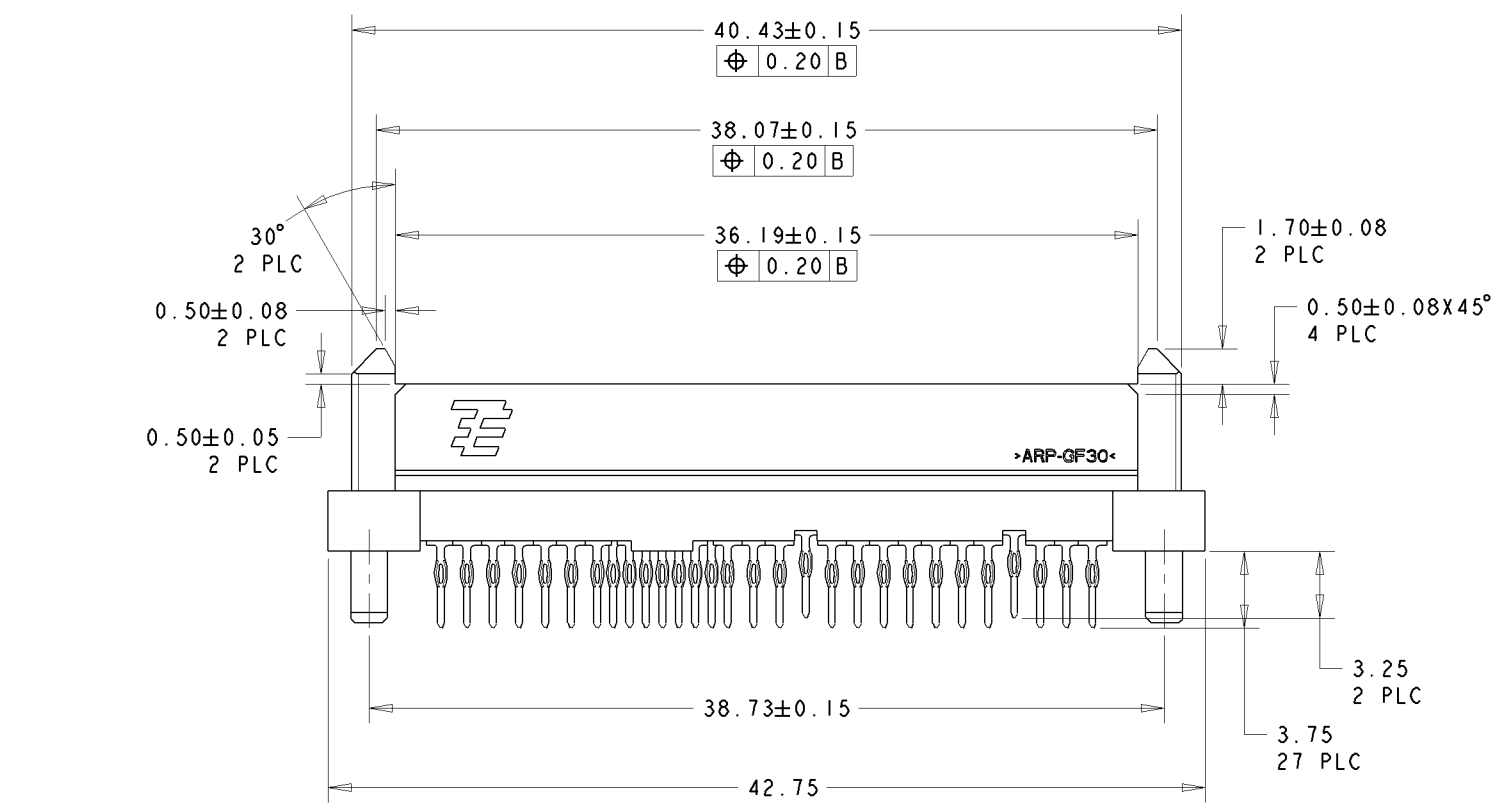
LOC	DIST	REVISIONS			
P	LTR	DESCRIPTION	DATE	DWN	APVD
DY	-	B	REVISED ECR-10-012418	11JUN10	LSK LSF

NOTES:

- 1 MATERIAL:
 HOUSING: HIGH TEMP THERMOPLASTIC, UL94V-0,
 COLOR: BLACK
 CONTACT: COPPER ALLOY
 BOARDLOCK: COPPER ALLOY
- 2 FINISH:
 CONTACT AREA: MIN 0.76um GOLD PLATING
 SOLDER TAIL: MIN 2.54um MATTE TIN PLATING
 UNDERPLATE: MIN 1.27um NICKEL PLATING
- 3 PIN #P4 AND #P12 ONLY



DETAIL Y
SCALE 8:1



THIS DRAWING IS A CONTROLLED DOCUMENT FOR AMP INCORPORATED. IT IS SUBJECT TO CHANGE AND THE CONTROLLING ENGINEERING ORGANIZATION SHOULD BE CONTACTED FOR THE LATEST REVISION.

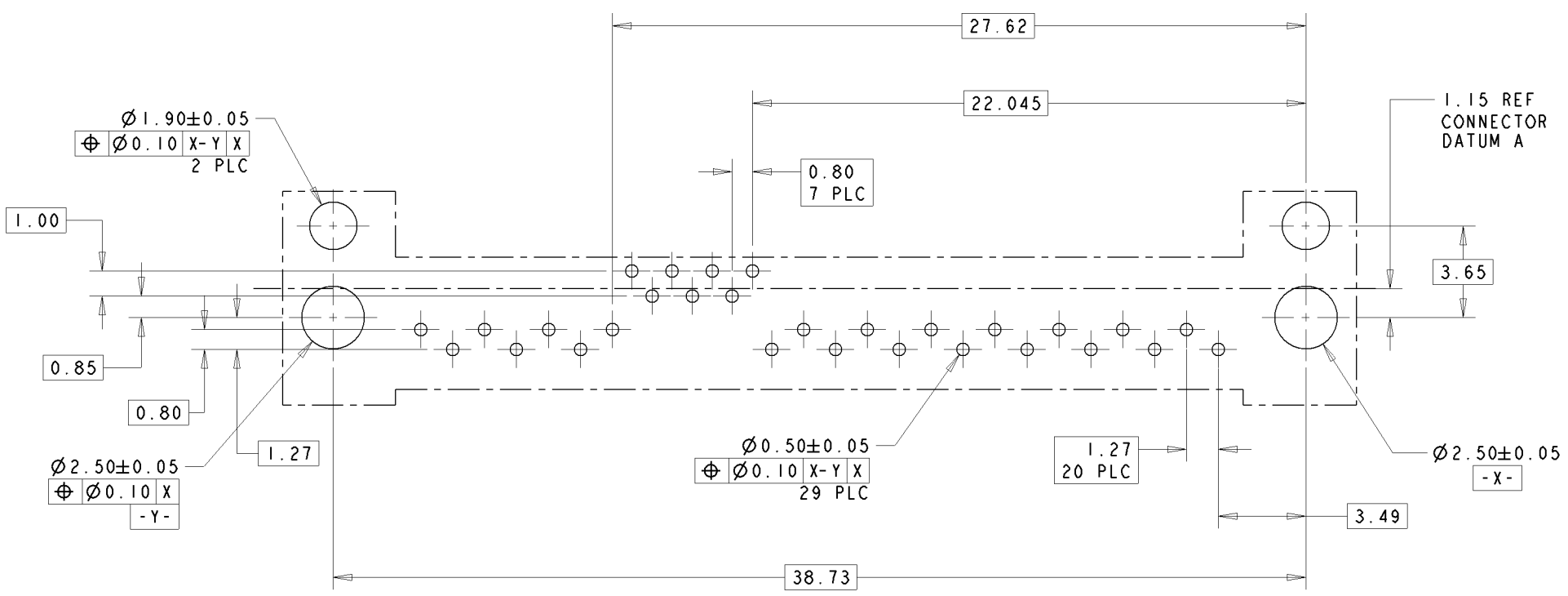
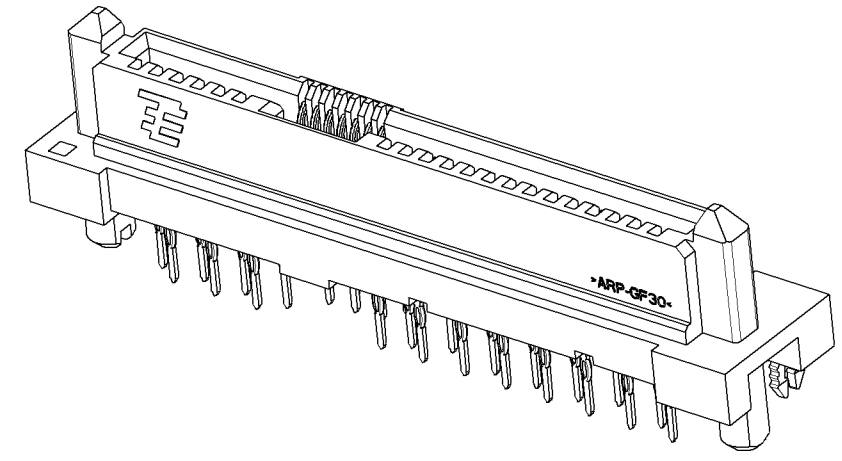
DIMENSIONS	TOLERANCES UNLESS OTHERWISE SPECIFIED:
mm	0 PLC ±
	1 PLC ±
	2 PLC ±0.20
	3 PLC ±
	4 PLC ±
	ANGLES ±3°
	FINISH 2

DWN	SK LEAW	10JUN2005	Tyco Electronics Singapore Pte. Ltd.					
CHK	SF LEONG	10JUN2005						
APVD	SF LEONG	10JUN2005						
NAME	SAS BACKPLANE RECEPTACLE, VERTICAL, PRESS-FIT							
PRODUCT SPEC	108-51067		SIZE	A2	CAGE CODE	00779	DRAWING NO	C=1735164
APPLICATION SPEC	114-51013		SCALE	4:1	SHEET	1	OF	2
WEIGHT	-		CUSTOMER DRAWING	REV B				

NO	1735164-2
YES	1735164-1
BOARDLOCK (1)	PART NUMBER

THIS DRAWING IS UNPUBLISHED. RELEASED FOR PUBLICATION .19
 BY AMP INCORPORATED. ALL RIGHTS RESERVED.

LOC	DIST	REVISIONS			
P	LTR	DESCRIPTION	DATE	DWN	APVD
DY	-	SEE SHEET 1	-	-	-



RECOMMENDED PCB LAYOUT
 SCALE 6:1

<small>THIS DRAWING IS A CONTROLLED DOCUMENT FOR AMP INCORPORATED. IT IS SUBJECT TO CHANGE AND THE CONTROLLING ENGINEERING ORGANIZATION SHOULD BE CONTACTED FOR THE LATEST REVISION.</small>		DWN SK LEAW 10JUN2005 CHK SF LEONG 10JUN2005 APVD SF LEONG 10JUN2005	Tyco Electronics Singapore Pte. Ltd.
DIMENSIONS - mm 		TOLERANCES UNLESS OTHERWISE SPECIFIED: 0 PLC ± 1 PLC ± 2 PLC ±0.20 3 PLC ± 4 PLC ± ANGLES ±3° FINISH -	NAME SAS BACKPLANE RECEPTACLE, VERTICAL, PRESS-FIT PRODUCT SPEC 108-51067 APPLICATION SPEC 114-51013 WEIGHT -
MATERIAL -		CUSTOMER DRAWING	SIZE A2 CAGE CODE 00779 DRAWING NO. C=1735164 SCALE 4:1 SHEET 2 OF 2 REV B

X-ON Electronics

Largest Supplier of Electrical and Electronic Components

Click to view similar products for [I/O Connectors](#) category:

Click to view products by [TE Connectivity](#) manufacturer:

Other Similar products are found below :

[571763P](#) [58098-0628](#) [72.250.1628.2](#) [72.250.2428.2](#) [74720-0505](#) [76.350.0729.0](#) [76871-1403](#) [FCN-244F080-G/1](#) [FCN-260A9920](#) [PCR-E36PM](#) [PCS-XE26MA+](#) [G38A71314B](#) [1571250010](#) [157-22500-3](#) [MS3471L14-19P L/C](#) [172501-4002](#) [172501-6002](#) [FCN-260C008-A/L0](#) [FCN-260C024-AL0](#) [FCN-261Z008](#) [2000314-1](#) [200331-1](#) [PCR-E36FC+](#) [PCS-E28FS+](#) [PCS-XE26SLFD+](#) [PCS-XE26SLFDT+](#) [G730VID08BDC24](#) [U90B2054081210](#) [38113800006](#) [DP3AR020WQ1R200](#) [Z4.102.0680.0](#) [500-1040](#) [500-1052](#) [500-1054](#) [ZP-4008-66L](#) [0709821002](#) [DX40-20P\(55\)](#) [5554841-1](#) [MS3474W18-8P-LC*](#) [U90B3054061110](#) [U65-E04-4020](#) [ZPF000000000097891](#) [747360449](#) [10099439-003C-TRLF](#) [10137239-0021LF](#) [E9320-001-01](#) [10137239-0011LF](#) [70289-001LF](#) [70.060.1028.0](#) [109029-ZZ](#)