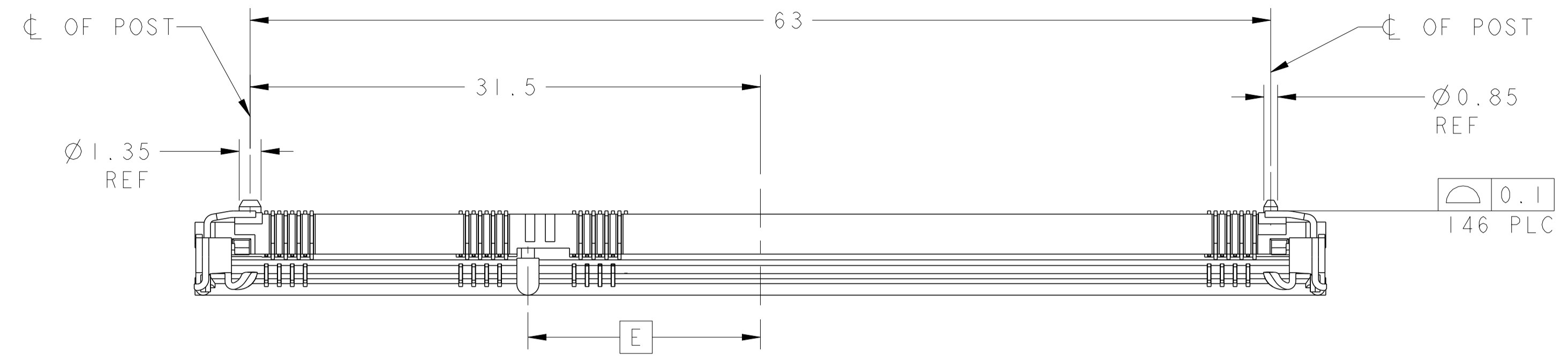
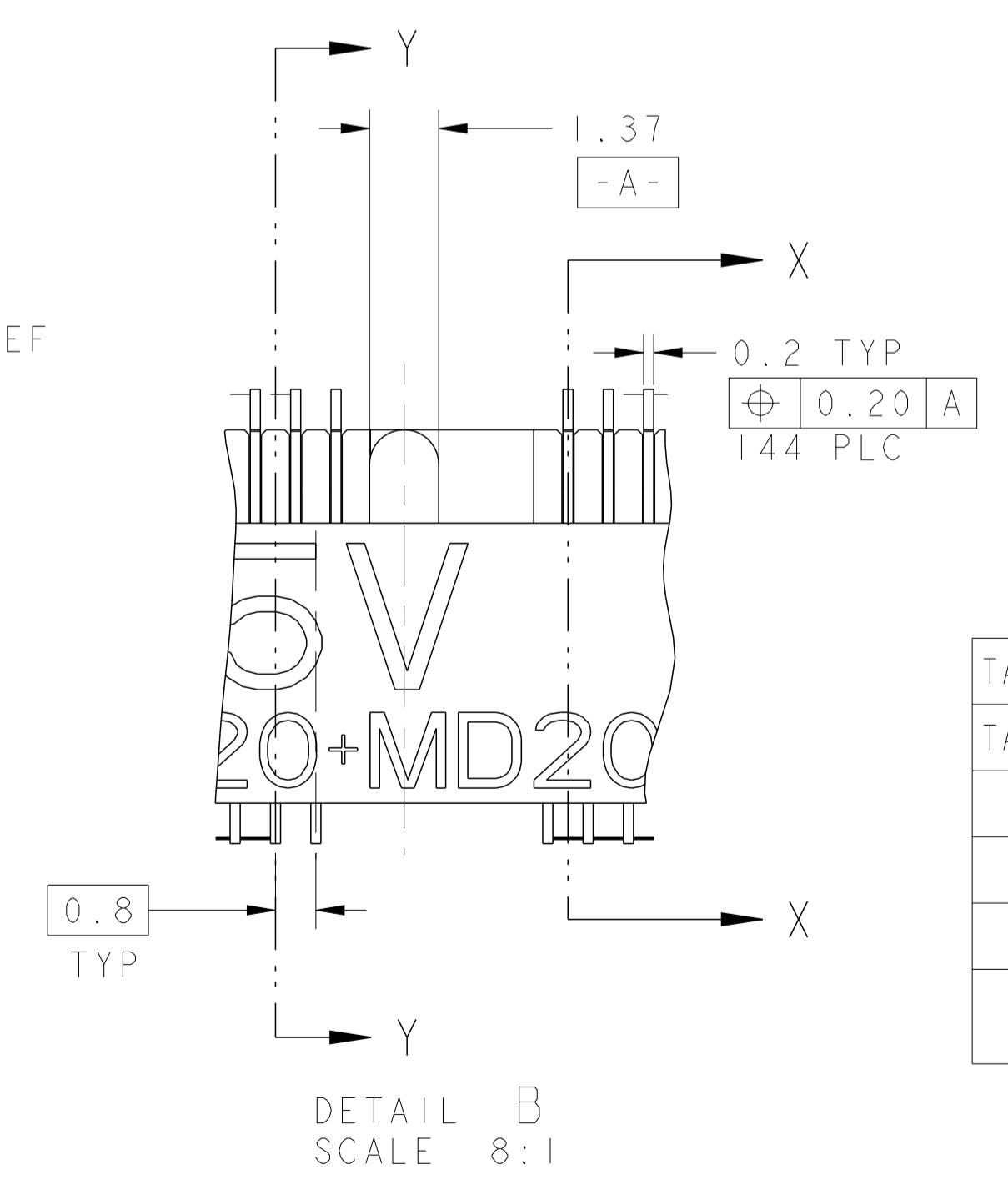
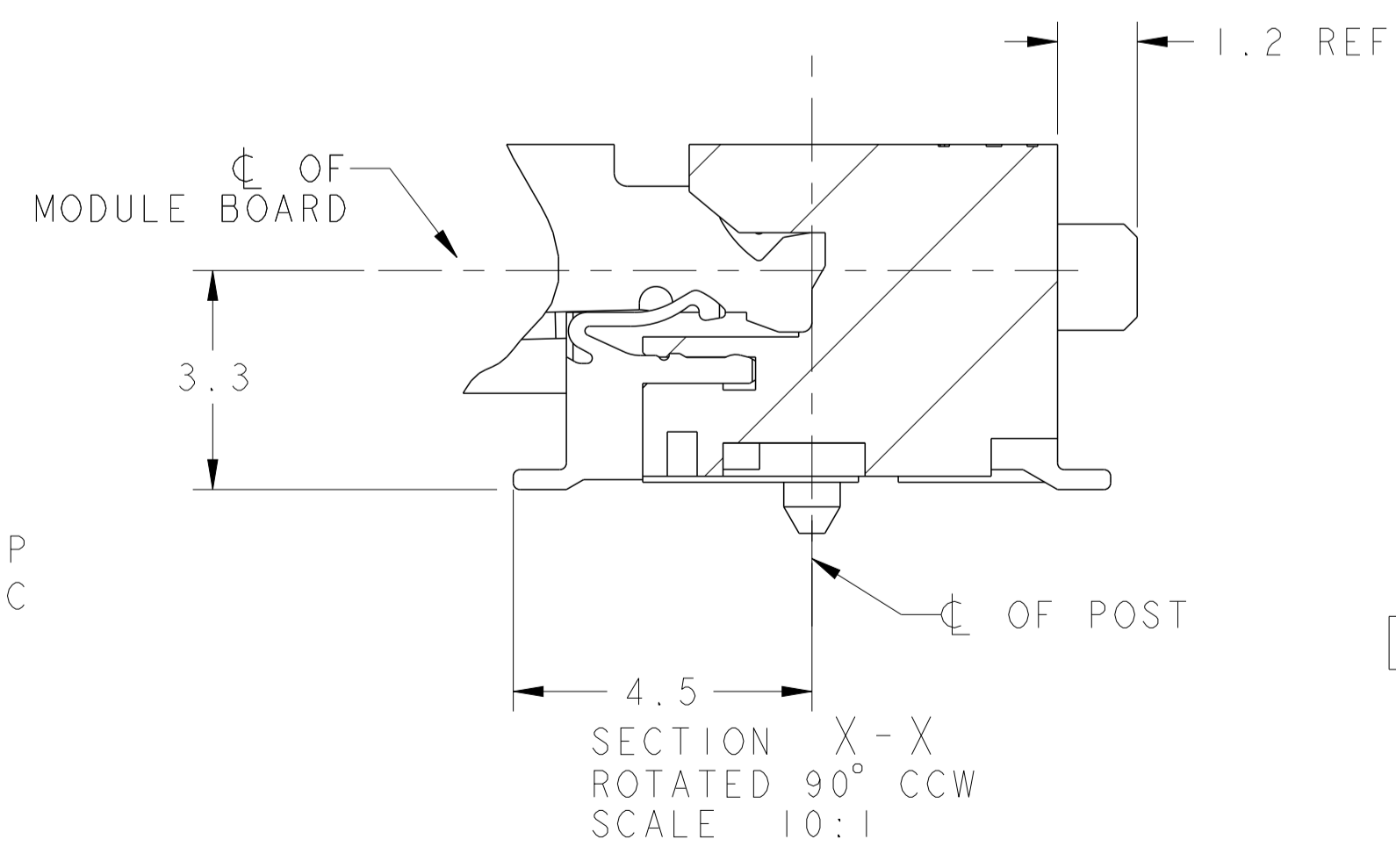
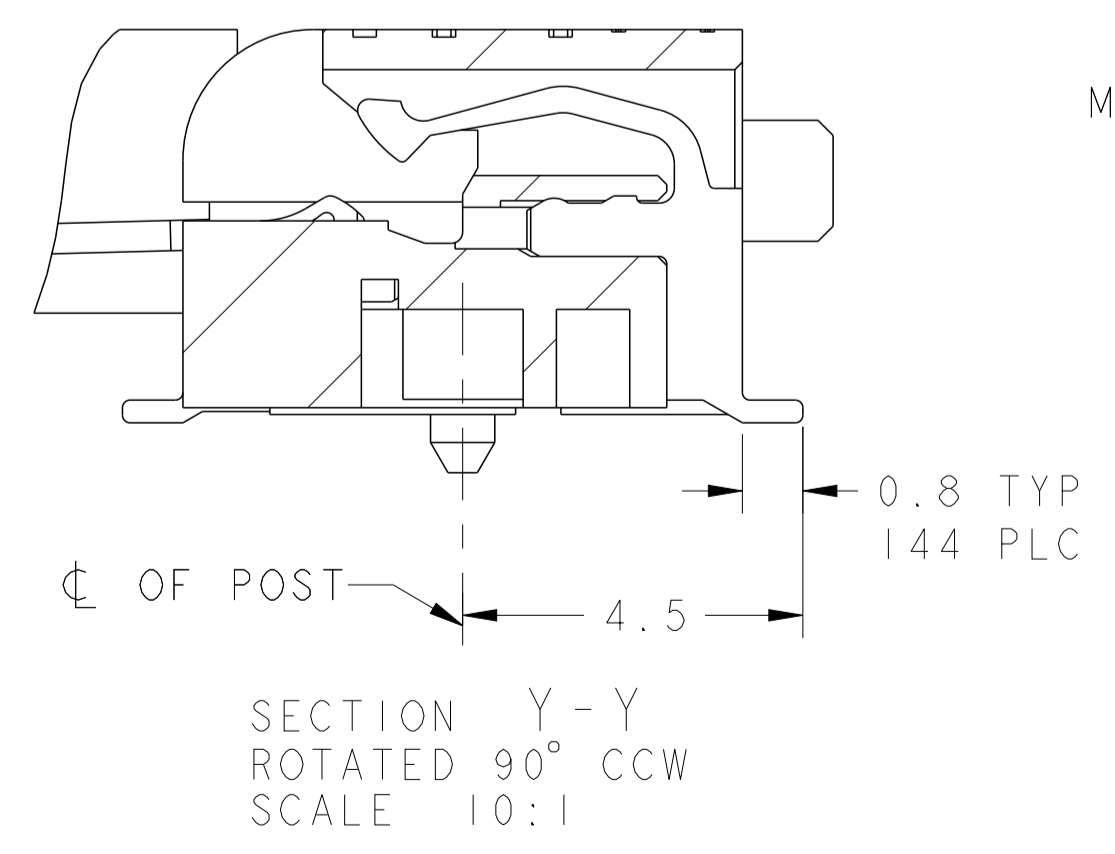
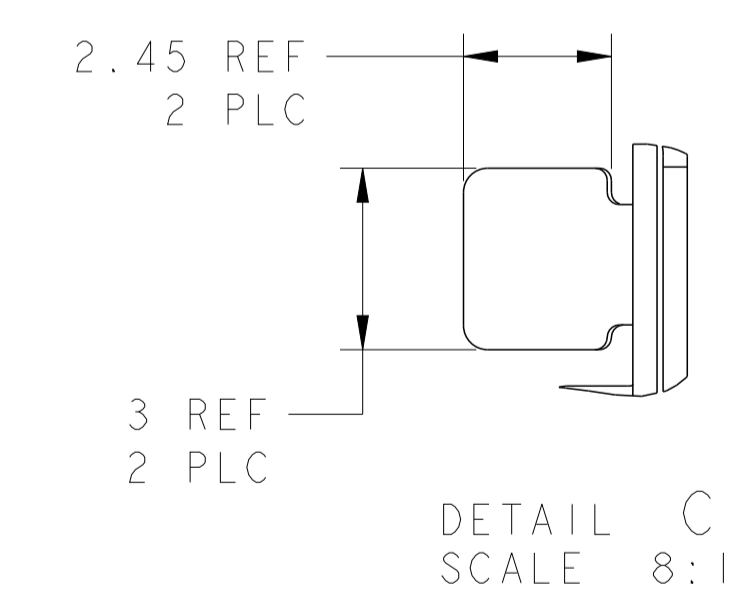
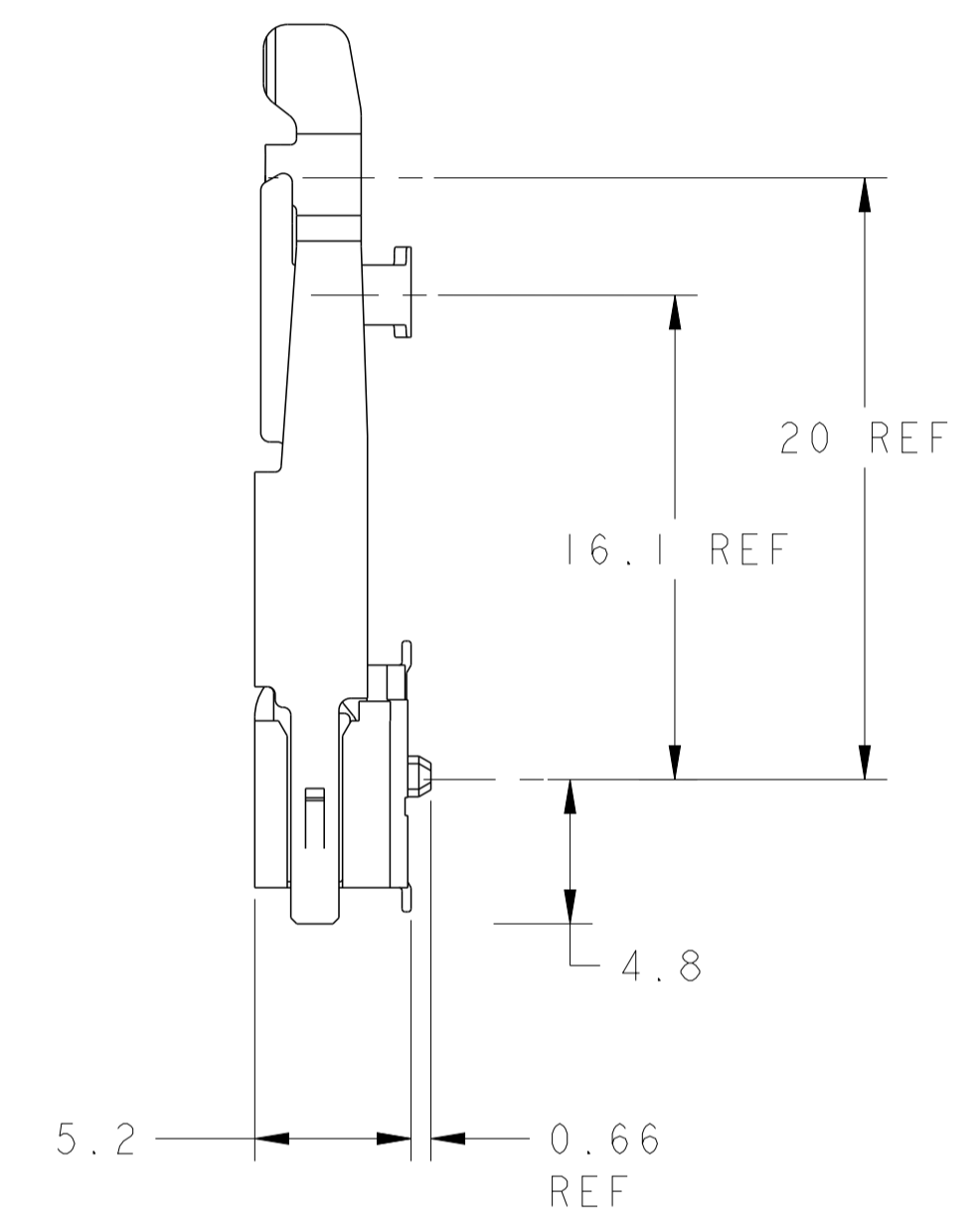
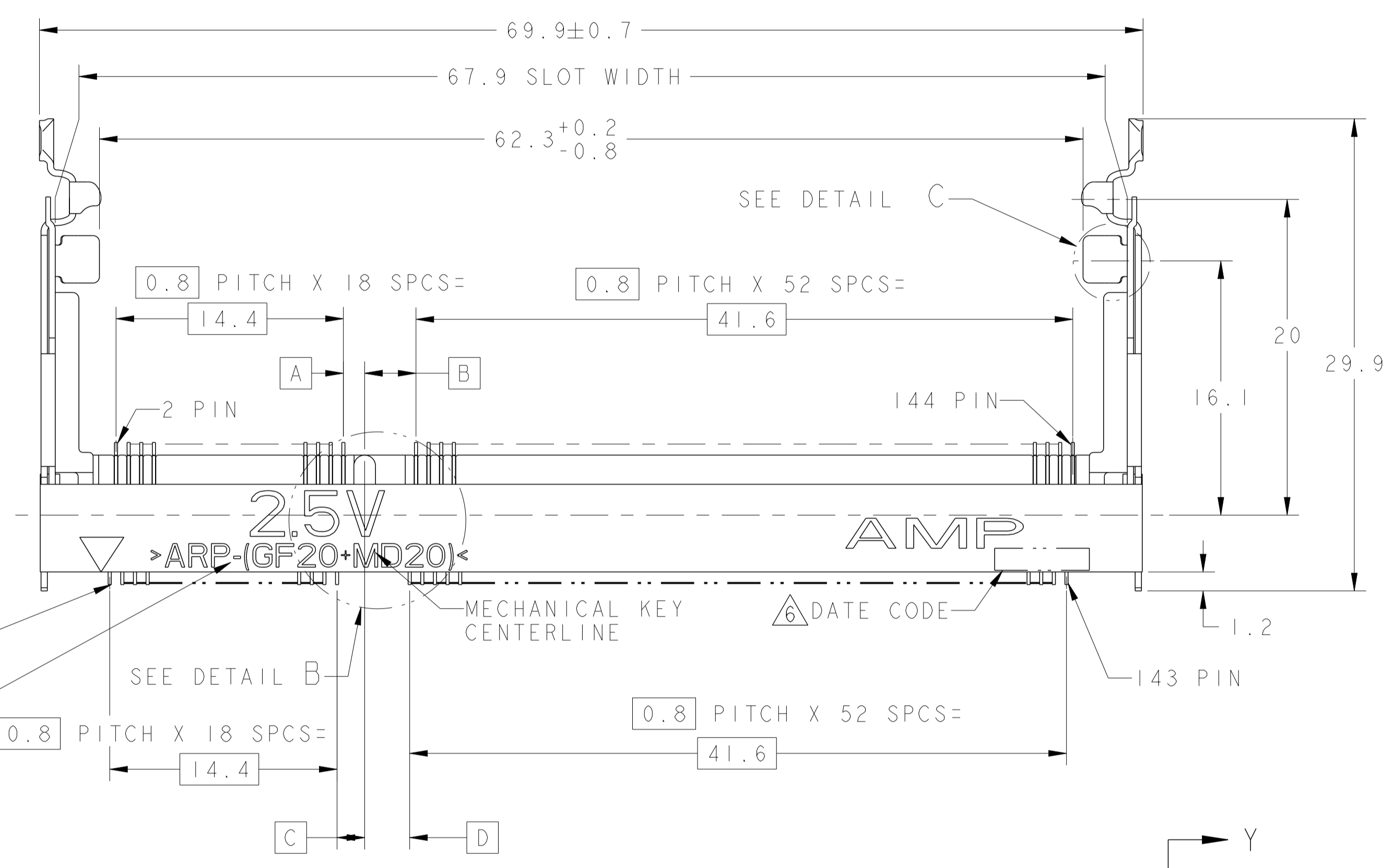


LOC	DIST	REVISIONS			
F	LTR	DESCRIPTION	DATE	BY	APPD
A2		REVISED PER ECR-11-021344	20021011	SYJ	LSF



- 1 MATERIAL:
 HOUSING: HIGH TEMPERATURE PLASTIC, UL94V-0, NAT.
 CONTACT: COPPER ALLOY
 LATCH: SUS301 STAINLESS STEEL
- 2 FINISH:
 CONTACT AREA: 0.00025 MIN GOLD ON
 0.001 MIN ALL OVER NICKEL
 SOLDERING AREA: 0.00005 MIN TO 0.00030 MAX GOLD.
 LATCH: TIN.
- 3. TOLERANCES NON-ACCUMULATIVE.
- 4 PART PACKAGED IN TAPE & REEL AS PER EIA-1S704 STANDARD.
 REEL DIAMETER SHALL BE 330mm,
 TAPE WIDTH SHALL BE 88mm, AND
 TAPE PITCH SHALL BE 36mm.
- 5. COMPLIES WITH JEDEC SOCKET OUTLINE SO-008.
- 6 DATE CODE (4-DIGITS), LOCATED AS SHOWN.
 TO BE INTERPRETED AS FOLLOWS:
 DIGIT # 1 - LAST DIGIT OF YEAR.
 DIGITS # 2 AND # 3 - CALENDAR WEEK.
 DIGIT # 4 - DAY OF THE WEEK (WITH SUNDAYS AS DAY 1).



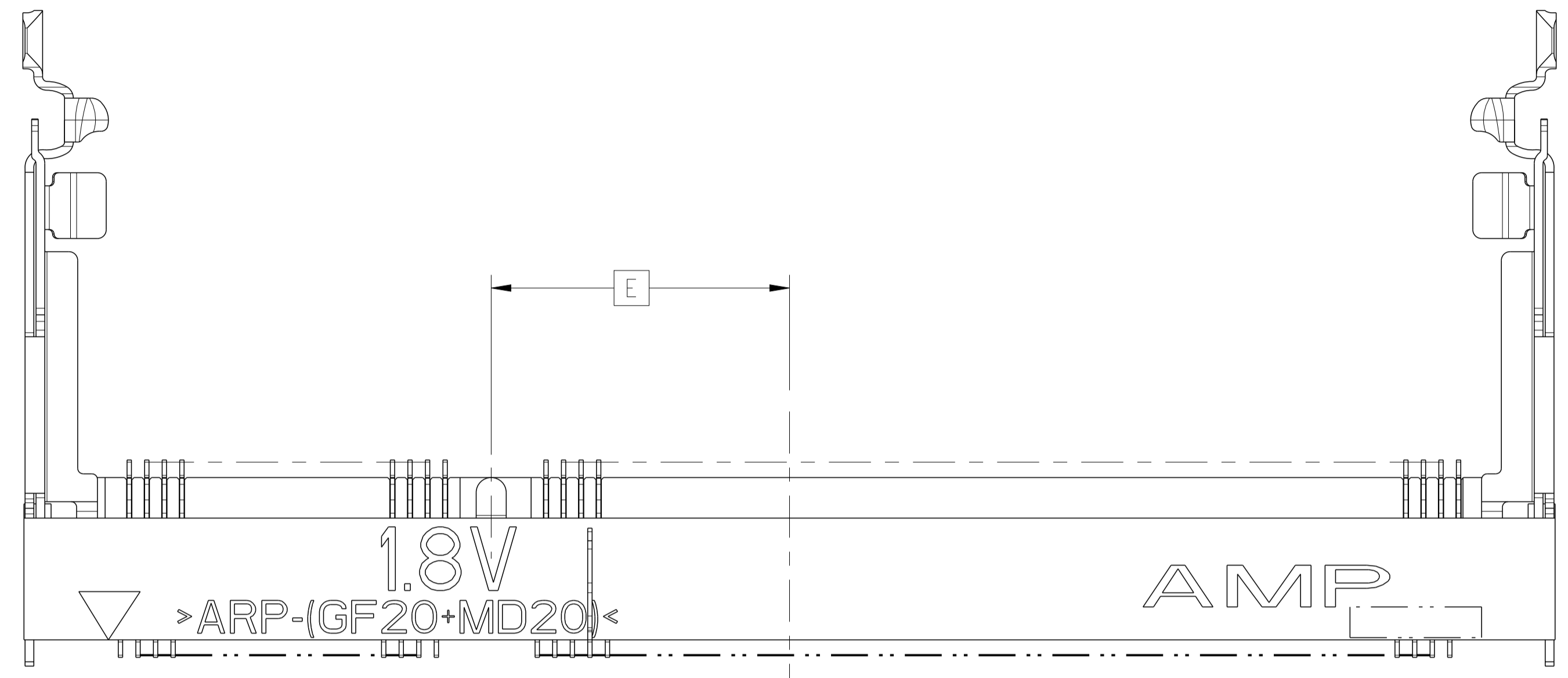
X-1735251-1 AS SHOWN

PACKAGING	DIM E	DIM D	DIM C	DIM B	DIM A	VARIATION VOLTAGE (DDR TYPE)	POS	PART NUMBER
TAPE & REEL 4	12.85	1.35	3.25	1.75	2.85	AC 1.50/1.35V (DDR3)	144	1-1735251-3
TAPE & REEL 4	13.60	2.10	2.5	2.5	2.10	AB 1.8V (DDR2)	144	1-1735251-2
SOFT TRAY	12.85	1.35	3.25	1.75	2.85	AC 1.50/1.35V (DDR3)	144	1735251-3
SOFT TRAY	13.60	2.10	2.5	2.5	2.10	AB 1.8V (DDR2)	144	1735251-2
SOFT TRAY	14.35	2.85	1.75	3.25	1.35	AA 2.5V (DDR1)	144	1735251-1

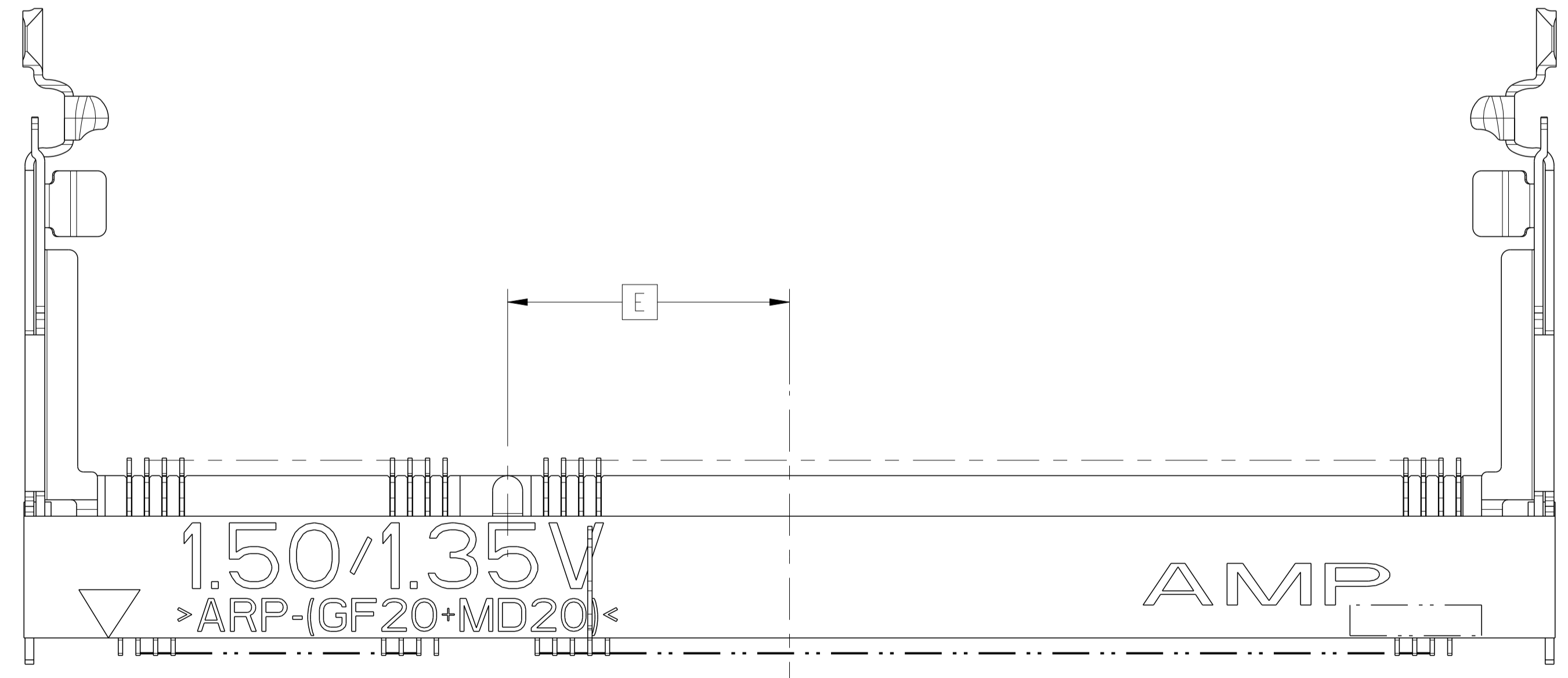
<small>THIS DRAWING IS A CONTROLLED DOCUMENT FOR AMP INCORPORATED. ALL CHANGES MUST BE APPROVED BY THE ORIGINAL DESIGNING ORGANIZATION. ANY CHANGES SHOULD BE CONTACTED FOR THE LATEST REVISION.</small>		DWN: NYLEE CHK: YJ SEE APD: SE LEONG PRODUCT SPEC: 108-1739 APPLICATION SPEC: 114-1114	25MAY05 NAME: S.O. DIMM SOCKET, 0.8mm PITCH, 144 POSITION, STD PROFILE SIZE: A1 CAGE CODE: 00779 DRAWING NO: 1735251 SCALE: 4:1	TE CONNECTIVITY Singapore
DIMENSIONS: mm TOLERANCES UNLESS OTHERWISE SPECIFIED: 0 PLC ±0.2 1 PLC ±0.2 2 PLC ±0.2 3 PLC ±0.2 4 PLC ±0.2 ANGLES ±°		MATERIAL: FINISH:	WEIGHT: - CUSTOMER DRAWING	SHEET 1 OF 3 REV A2

THIS DRAWING IS UNPUBLISHED. RELEASED FOR PUBLICATION .19
 © COPYRIGHT 19 BY AMP INCORPORATED. ALL RIGHTS RESERVED.

LOC		DIST		REVISIONS			
F	LT#	DESCRIPTION	DATE	DRN	APRD		
-	-	SEE SHEET 1	-	-	-	-	-

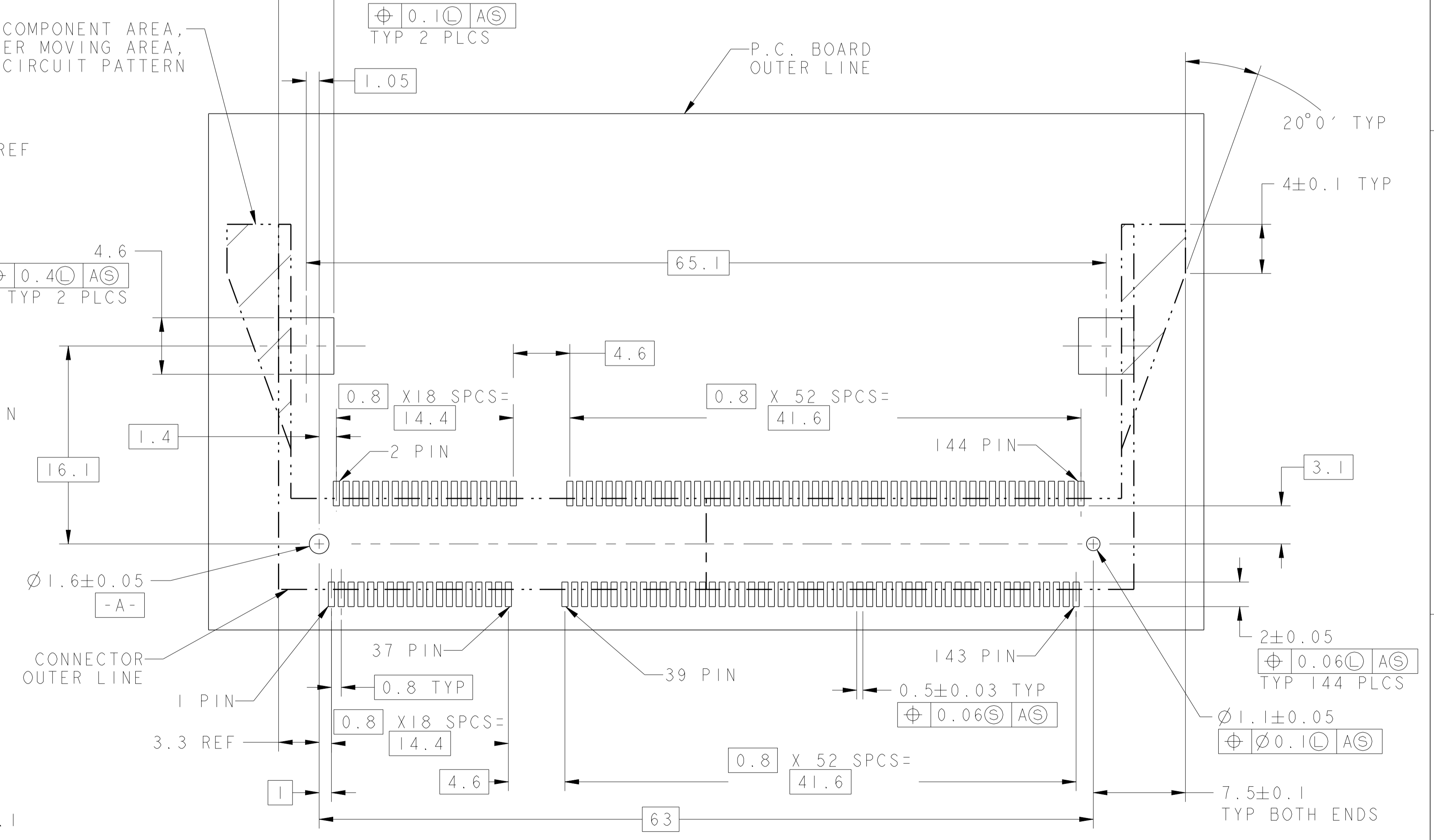
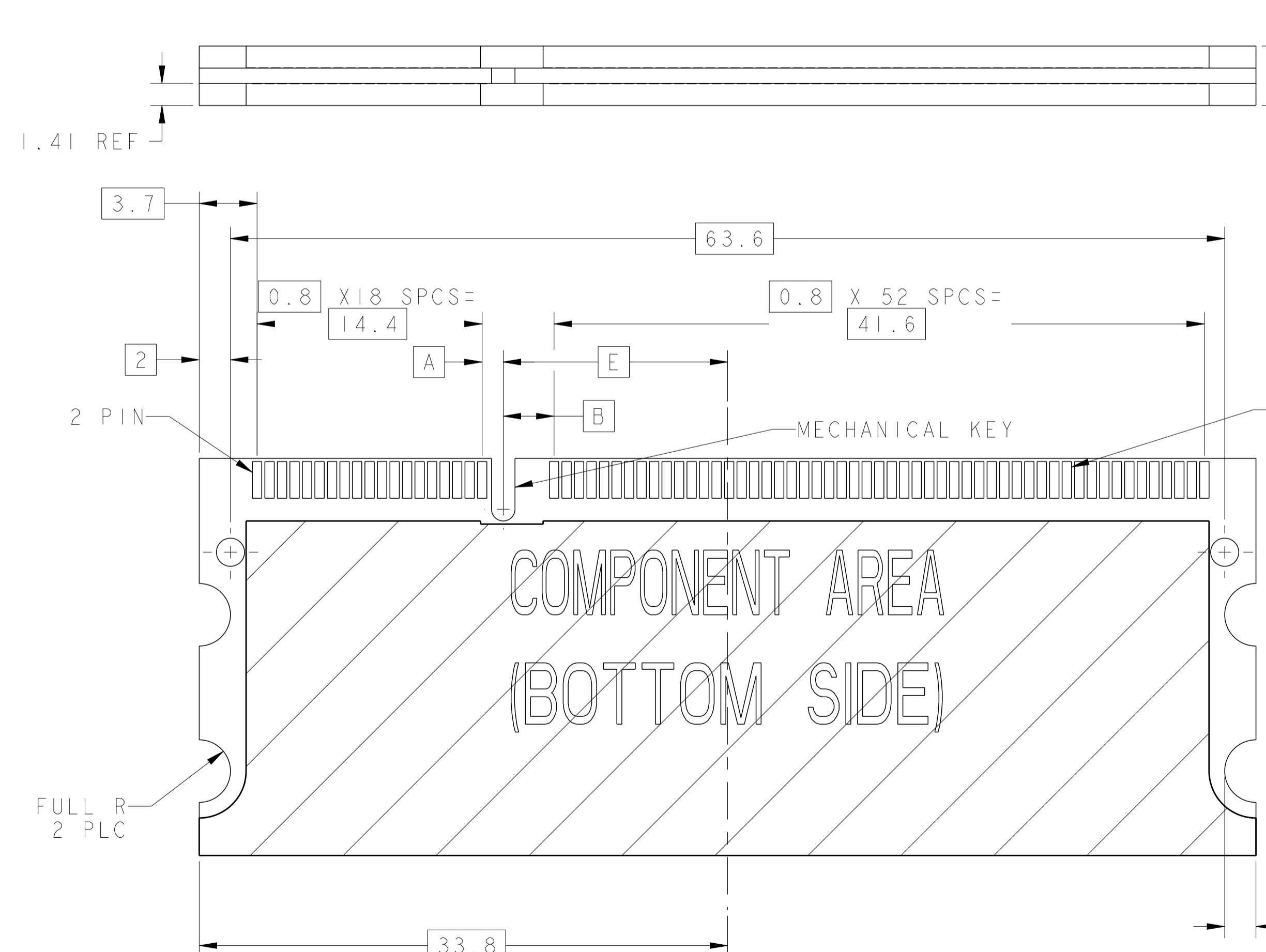
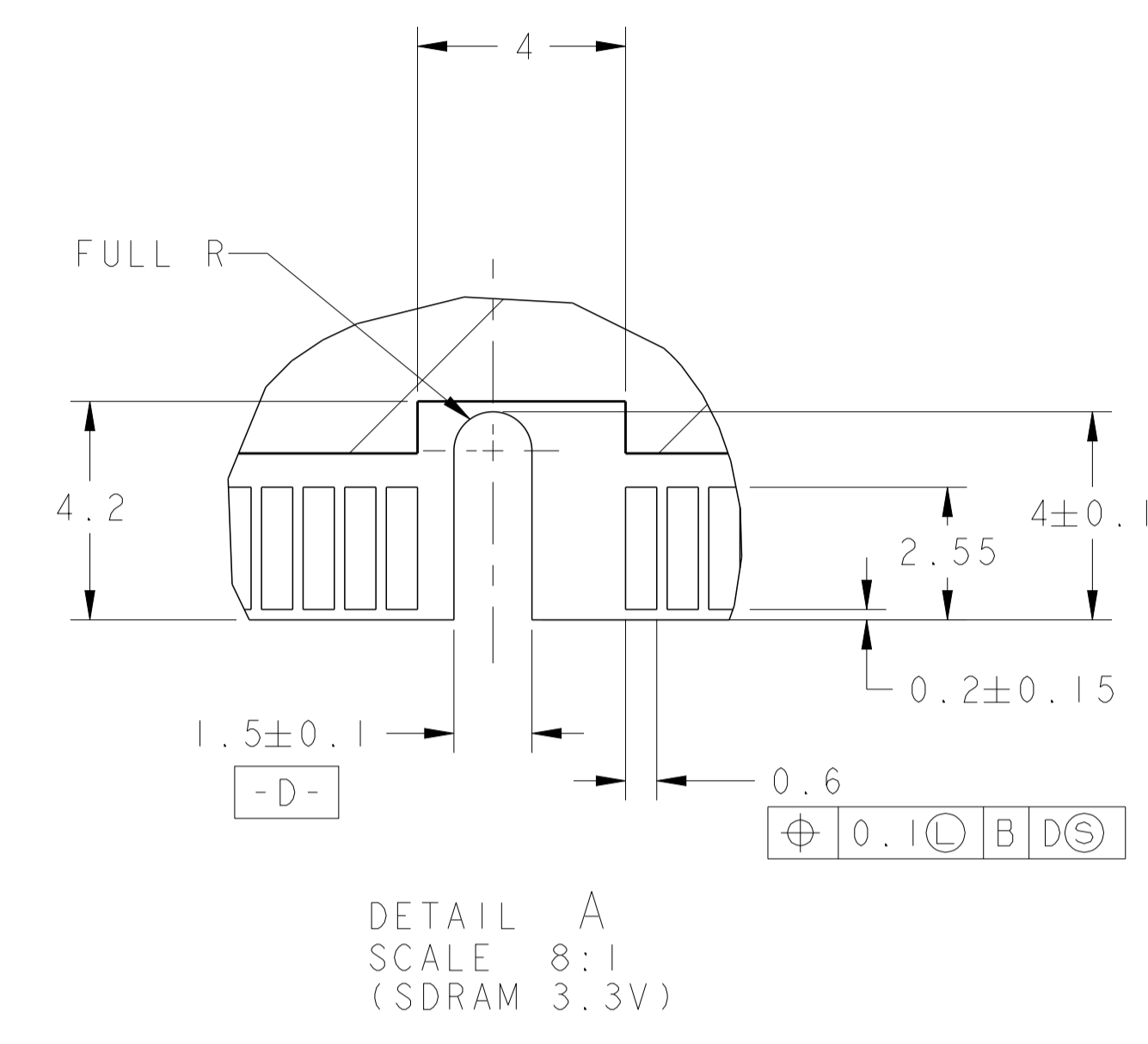
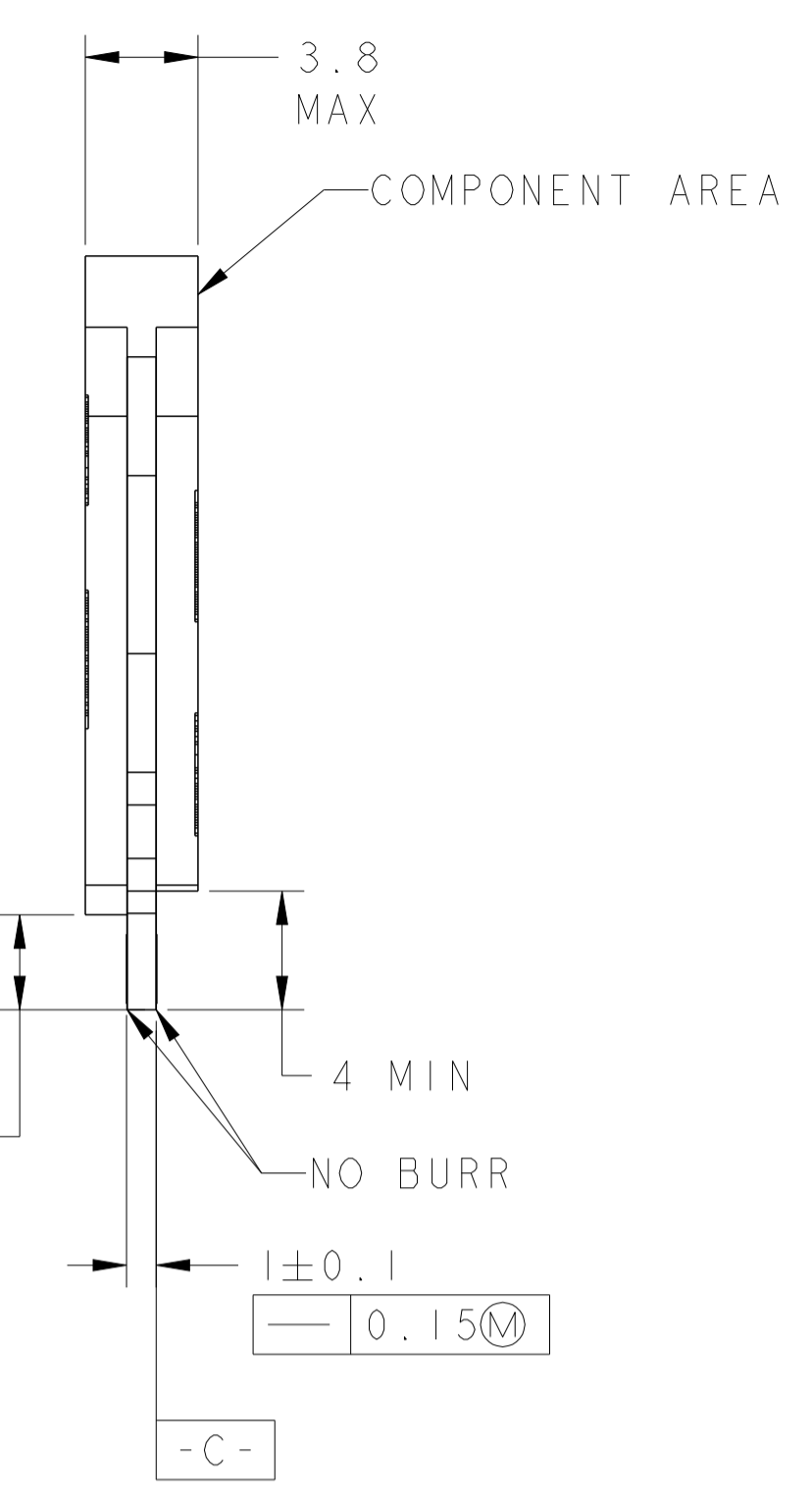
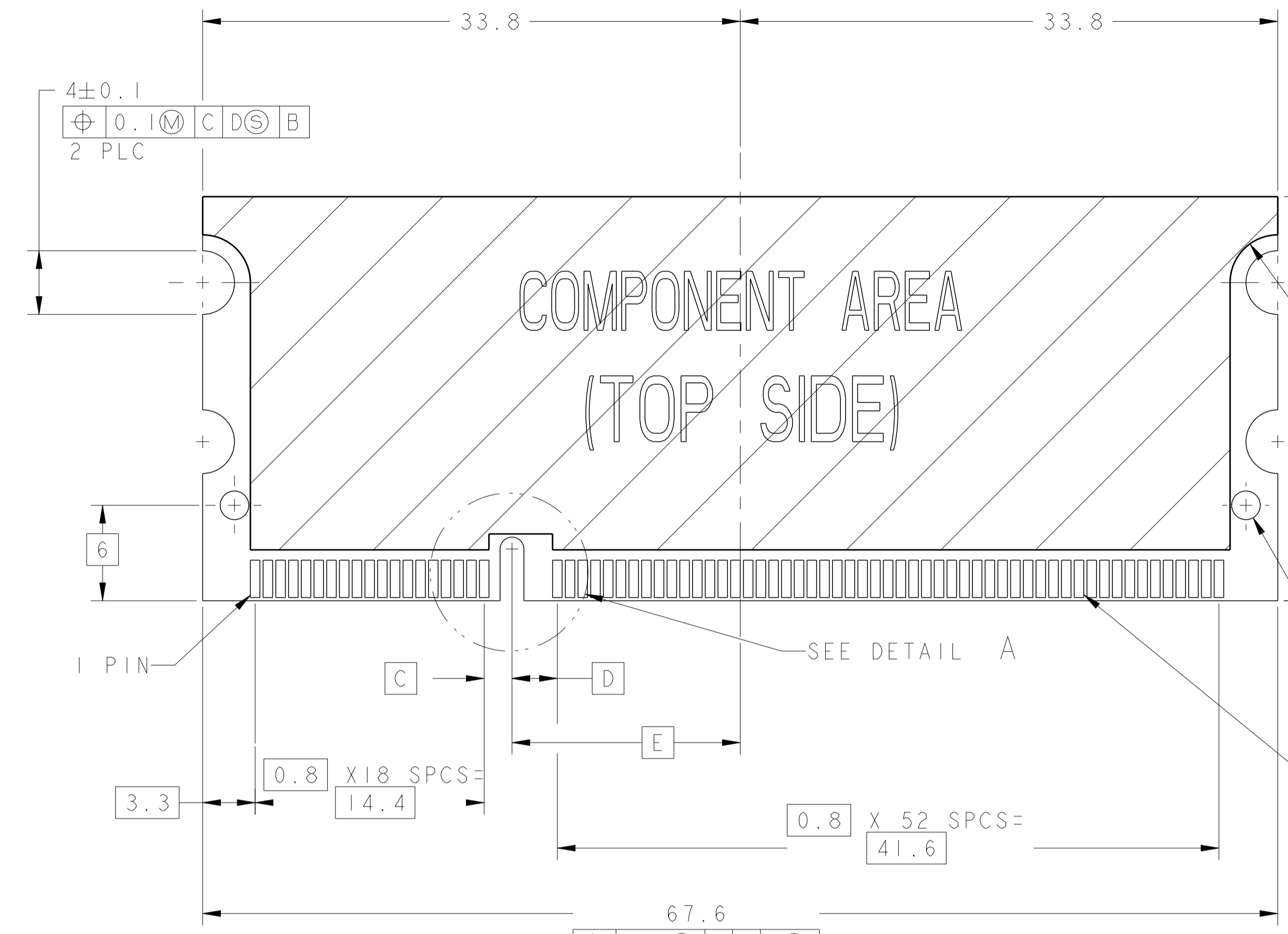


X-1735251-2 AS SHOWN



X-1735251-3 AS SHOWN

<small>THIS DRAWING IS A CONTROLLED DOCUMENT FOR AMP INCORPORATED AND IS SUBJECT TO CHANGE. AMP, THE CONTROLLED DOCUMENTING ORGANIZATION SHOULD BE CONTACTED FOR THE LATEST REVISION.</small>		DRN: WYLEE 25MAT05 CHK: Y.J. SEE APVD: SE LEONG PRODUCT SPEC: 108-1739 APPLICATION SPEC: 114-1114	STE TE CONNECTIVITY Singapore
DIMENSIONS: mm TOLERANCES UNLESS OTHERWISE SPECIFIED: 0 PLC ±0.2 1 PLC ±0.2 2 PLC ±0.2 3 PLC ±0.2 4 PLC ±.2 ANGLES ±° FINISH	NAME: S.O. DIMM SOCKET, 0.8mm PITCH, 144 POSITION, STD PROFILE SIZE: A1 CAGE CODE: 00779 DRAWING NO: C-1735251	WEIGHT: - CUSTOMER DRAWING	SCALE: 4:1 SHEET: 2 of 3 REV: A2



RECOMMENDED P.C. BOARD PATTERN LAYOUT (CONNECTOR MOUNTING SIDE)

THIS DRAWING IS A CONTROLLED DOCUMENT FOR AMP INCORPORATED AND IS SUBJECT TO CHANGE. AMP'S CONTROL AND ENGINEERING ORGANIZATION SHOULD BE CONTACTED FOR THE LATEST REVISION.		DWN: NYLEE CHK: Y.J. SEE APVD: SE LEONG PRODUCT SPEC: 108-1739 APPLICATION SPEC: 114-1114 WEIGHT: - MATERIAL: - FINISH: -	25MAY05 NAME: S.O. DIMM SOCKET, 0.8mm PITCH, 144 POSITION, STD PROFILE SIZE: A1 CAGE CODE: 00779 DRAWING NO: C-1735251 SCALE: 4:1	TE CONNECTIVITY Singapore DRAWING NO: 1735251 SHEET 3 OF 3 REV A2
DIMENSIONS: mm TOLERANCES UNLESS OTHERWISE SPECIFIED: 0 PLC ±0.2 1 PLC ±0.2 2 PLC ±0.2 3 PLC ±0.2 4 PLC ±0.2 ANGLES ±°	MATERIAL: - FINISH: -	CUSTOMER DRAWING		

X-ON Electronics

Largest Supplier of Electrical and Electronic Components

Click to view similar products for [DIMM Connectors](#) category:

Click to view products by [TE Connectivity](#) manufacturer:

Other Similar products are found below :

[1-1932649-2](#) [1-1761024-0](#) [2309411-5](#) [296409204002856+](#) [10116658-252ASLF](#) [5390471-1](#) [2309413-3](#) [78507-0061](#) [KIT-SODIMM-1X16GB/01](#) [10129206-0010013LF](#) [10086891-052TSLF](#) [10079192-11102LF](#) [10116658-152FSLF](#) [10129206-0011113LF](#) [1-2308107-0](#) [2013310-1](#) [2013289-1](#) [390111-1](#) [390112-1](#) [2309413-1](#) [2309407-1](#) [2309414-1](#) [10081530-12208LF](#) [151080-0001](#) [78726-1004](#) [10005639-11107LF](#) [10005639-11109LF](#) [10005639-12207LF](#) [10023061-10207LF](#) [10033853-252FSLF](#) [10033853-052ASLF](#) [10033853-052FSLF](#) [10033853-152FSLF](#) [10033854-052FSLF](#) [10034542-10002LF](#) [10037402-12207LF](#) [10081530-11107LF](#) [10081530-12207LF](#) [10081530-12218LF](#) [10081530-12228LF](#) [10124632-0030001LF](#) [10124806-01006LF](#) [10145226-0241N13LF](#) [59354-052FSLF](#) [59355-052FSLF](#) [DDR4288S0211TF](#) [DDR4288S0511H](#) [DDR4288S0511TF](#) [DDR4288V0123TF](#) [DDR4288V0213TF](#)