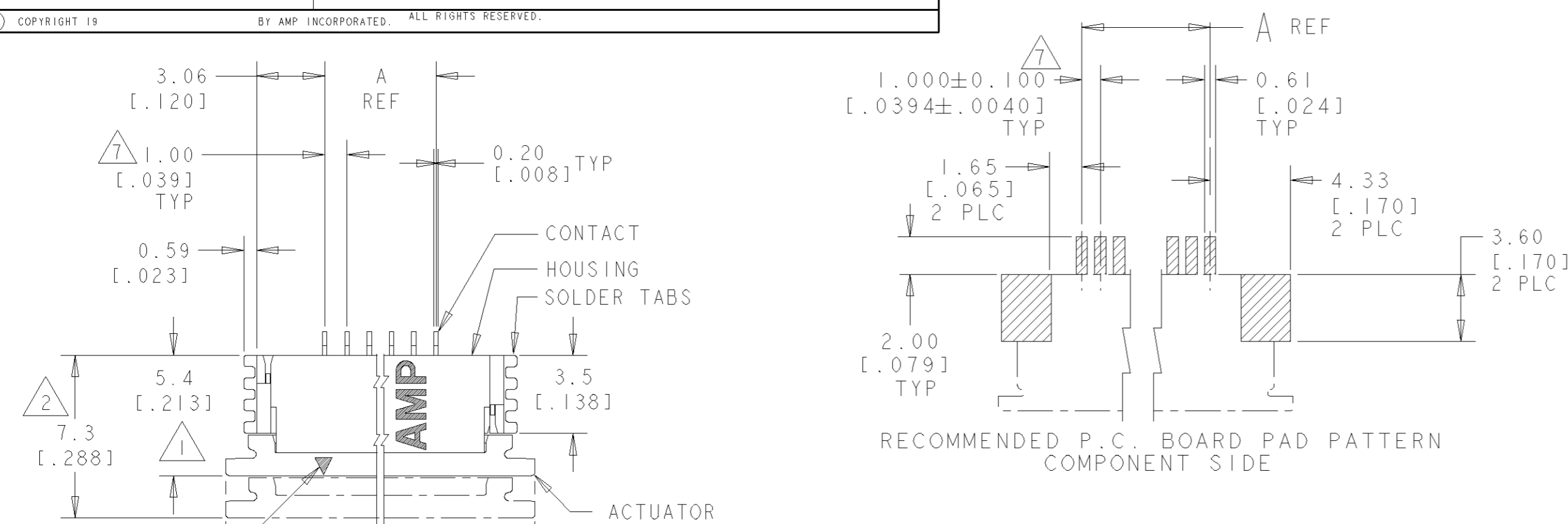
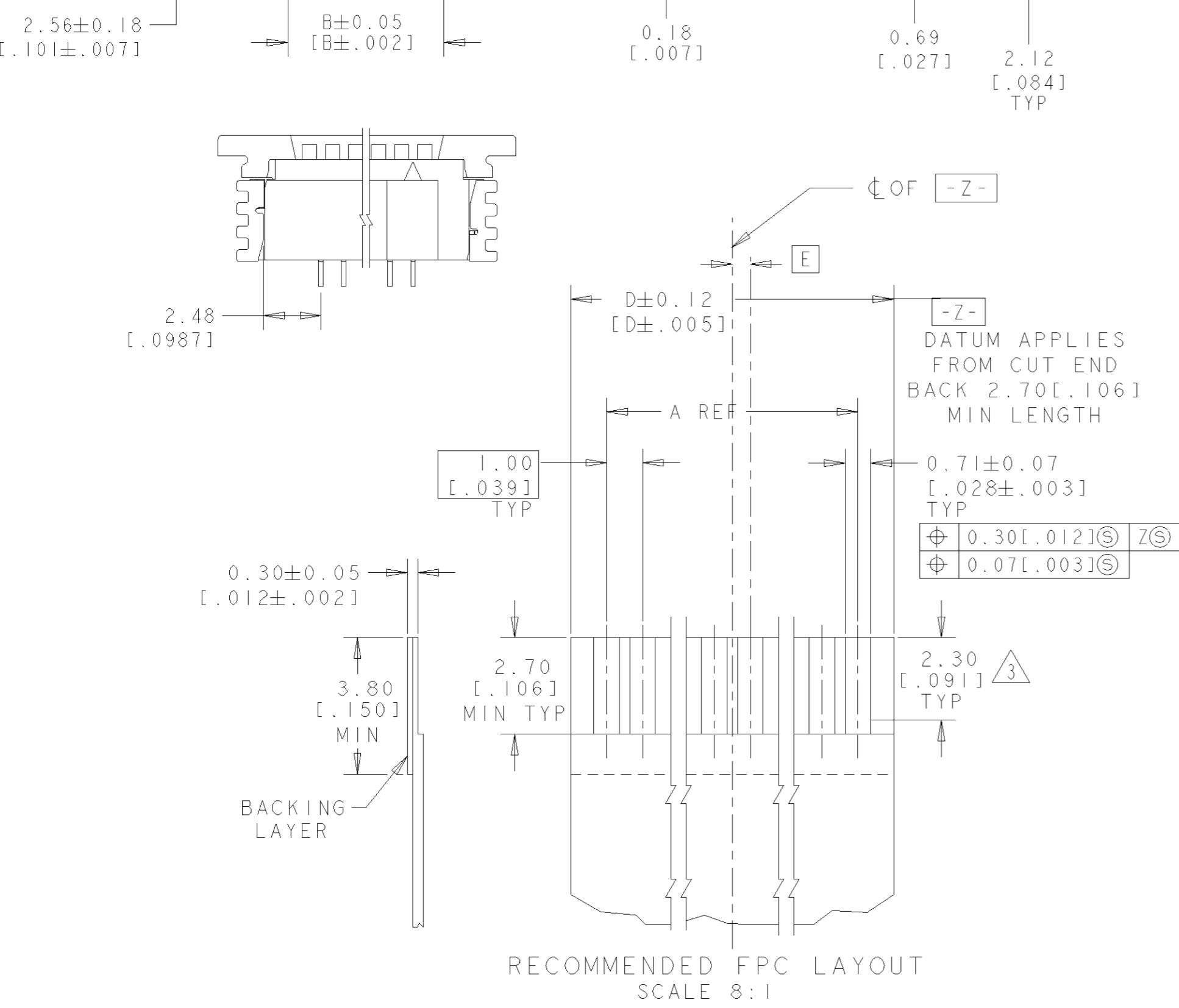
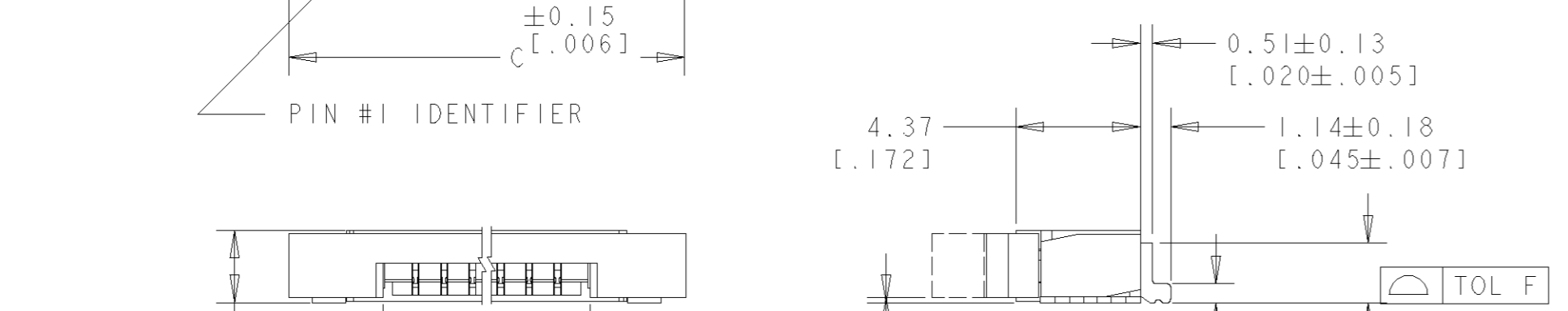


LOC		DIST		REVISIONS			
F	LTR	DATE	DWN	APVD			
DY	-						
B		REVISED ECR-05-017828	13DEC05	LWY	VT		



- 1. DIMENSION APPLIES WHEN ACTUATOR IS IN CLOSED POSITION.
- 2. DIMENSION APPLIES WHEN ACTUATOR IS IN OPEN POSITION.
- 3. MAXIMUM ENGAGEMENT LENGTH TO CONTACT POINT.
- 4. CONTACTS: 0.00005 [0.000002] MIN. AU FLASH OVER 0.0013 [0.000050] MIN. NICKEL.
- 5. SOLDER TABS: 0.0013 [0.000050] MIN. TIN.
- 6. PACKAGE PER EIA 481 SPECIFICATION.
- 7. TOLERANCE NON-CUMULATIVE.
- 8. MATERIAL: CONTACT: PHOSPHOR BRONZE. SOLDER TABS: PHOSPHOR BRONZE. HOUSING: GLASS REINFORCED POLYESTER (LCP), UL 94V-0, COLOR-NATURAL. ACTUATOR: GLASS REINFORCED NYLON (PPA), UL 94V-0 OR GLASS REINFORCED PPS, UL 94V-0, COLOR-BLACK.



0.50 [0.0197]	31.00 [1.221]	37.92 [1.492]	31.18 [1.228]	29.0 [1.142]	30	3-1735265-0
-	30.00 [1.181]	36.92 [1.454]	30.18 [1.188]	28.0 [1.102]	29	2-1735265-9
0.50 [0.0197]	29.00 [1.142]	35.92 [1.414]	29.18 [1.149]	27.0 [1.063]	28	2-1735265-8
-	28.00 [1.102]	34.92 [1.375]	28.18 [1.109]	26.0 [1.024]	27	2-1735265-7
0.50 [0.0197]	27.00 [1.063]	33.92 [1.335]	27.18 [1.070]	25.0 [0.984]	26	2-1735265-6
-	26.00 [1.024]	32.92 [1.296]	26.18 [1.031]	24.0 [0.945]	25	2-1735265-5
0.50 [0.0197]	25.00 [0.984]	31.92 [1.257]	25.18 [0.991]	23.0 [0.906]	24	2-1735265-4
-	24.00 [0.945]	30.92 [1.217]	24.18 [0.952]	22.0 [0.866]	23	2-1735265-3
0.50 [0.0197]	23.00 [0.906]	29.92 [1.179]	23.18 [0.913]	21.0 [0.827]	22	2-1735265-2
-	22.00 [0.866]	28.92 [1.139]	22.18 [0.873]	20.0 [0.787]	21	2-1735265-1
0.50 [0.0197]	21.00 [0.827]	27.92 [1.099]	21.18 [0.834]	19.0 [0.748]	20	2-1735265-0
-	20.00 [0.787]	26.92 [1.060]	20.18 [0.794]	18.0 [0.709]	19	1-1735265-9
0.50 [0.0197]	19.00 [0.748]	25.92 [1.020]	19.18 [0.755]	17.0 [0.669]	18	1-1735265-8
-	18.00 [0.709]	24.92 [0.981]	18.18 [0.716]	16.0 [0.630]	17	1-1735265-7
0.50 [0.0197]	17.00 [0.669]	23.92 [0.942]	17.18 [0.676]	15.0 [0.591]	16	1-1735265-6
-	16.00 [0.630]	22.92 [0.902]	16.18 [0.637]	14.0 [0.551]	15	1-1735265-5
0.50 [0.0197]	15.00 [0.591]	21.92 [0.863]	15.18 [0.598]	13.0 [0.512]	14	1-1735265-4
-	14.00 [0.551]	20.92 [0.824]	14.18 [0.558]	12.0 [0.472]	13	1-1735265-3
0.50 [0.0197]	13.00 [0.512]	19.92 [0.784]	13.18 [0.519]	11.0 [0.433]	12	1-1735265-2
-	12.00 [0.472]	18.92 [0.745]	12.18 [0.480]	10.0 [0.394]	11	1-1735265-1
0.50 [0.0197]	11.00 [0.433]	17.92 [0.705]	11.18 [0.440]	9.0 [0.354]	10	1-1735265-0
-	10.00 [0.394]	16.92 [0.666]	10.18 [0.401]	8.0 [0.315]	9	1735265-9
0.50 [0.0197]	9.00 [0.354]	15.92 [0.627]	9.18 [0.361]	7.0 [0.276]	8	1735265-8
-	8.00 [0.315]	14.92 [0.587]	8.18 [0.322]	6.0 [0.236]	7	1735265-7
0.50 [0.0197]	7.00 [0.276]	13.92 [0.548]	7.18 [0.283]	5.0 [0.197]	6	1735265-6
-	6.00 [0.236]	12.92 [0.509]	6.18 [0.243]	4.0 [0.157]	5	1735265-5
0.50 [0.0197]	5.00 [0.197]	11.92 [0.469]	5.18 [0.204]	3.0 [0.118]	4	1735265-4

THIS DRAWING IS A CONTROLLED DOCUMENT FOR AMP INCORPORATED. IT IS SUBJECT TO CHANGE AND THE CONTROLLING ENGINEERING ORGANIZATION SHOULD BE CONTACTED FOR THE LATEST REVISION.		DWN WYLEE 8JUL05	Tyco Electronics Singapore Pte. Ltd.
DIMENSIONS: mm [INCHES]		CHK VINCENT TAN	
TOLERANCES UNLESS OTHERWISE SPECIFIED:		APVD WL CHOO	NAME 1mm FPC CONNECTOR, HORIZONTAL, SURFACE-MOUNT, BOTTOM CONTACT AU PLATED
0 PLC ± 1 PLC ± 2 PLC ±0.2 [0.008] 3 PLC ±0.1 [0.004] 4 PLC ±		PRODUCT SPEC 108-51074	
MATERIAL		APPLICATION SPEC	SIZE A2
FINISH		WEIGHT -	CAGE CODE 00779
8 4 5		CUSTOMER DRAWING	DRAWING NO. C-1735265
		SCALE 4:1	SHEET 1 OF 1 REV B

X-ON Electronics

Largest Supplier of Electrical and Electronic Components

Click to view similar products for [FFC & FPC Connectors](#) category:

Click to view products by [TE Connectivity](#) manufacturer:

Other Similar products are found below :

[FPH-1422G](#) [FPH-1602G](#) [K-FC20](#) [FH29B-80S-0.2SHW\(99\)](#) [FPH-2022G](#) [AYF332735](#) [52610-1075](#) [52610-1275](#) [52610-1934](#) [501864-3091-TR225](#) [086222026001800](#) [52610-0675](#) [62684-36210E9ALF](#) [52746-1671-TR250](#) [10051922-2810EHLF](#) [6-520415-9](#) [SFV6R-1STE9HLF](#) [XF3M-2915-1B-R100](#) [1658549-1](#) [AYF534065TA](#) [AYF351525](#) [086212040340800+](#) [AYF530365TA](#) [67000-014LF](#) [67000-004LF](#) [006207341915000+](#) [DS1020-19RT1D](#) [67000-003LF](#) [67000-011LF](#) [67000-016LF](#) [HFW14R-2STE9LF](#) [SFV32R-2STBE9HLF](#) [SFW12R-5STE9LF](#) [SFW18R-1STAE9LF](#) [SFW4R-5STE9LF](#) [52807-0430](#) [046283021002868+](#) [THD1015-8CL-SN](#) [67000-006LF](#) [502250-8027](#) [104267-9617](#) [66987-011LF](#) [AYF362535](#) [F0501-T-50-20T-R](#) [F1003-ZV-12-25T-R](#) [HFW8S-2STAE1HLF](#) [67000-008LF](#) [67000-012LF](#) [ECC576069EU](#) [F1002-B-20-20T-R](#)