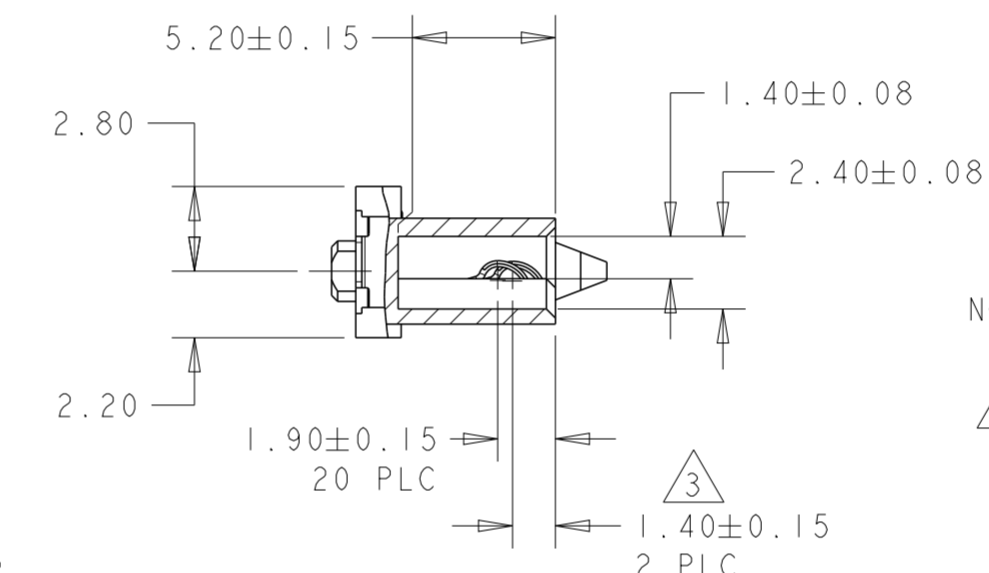
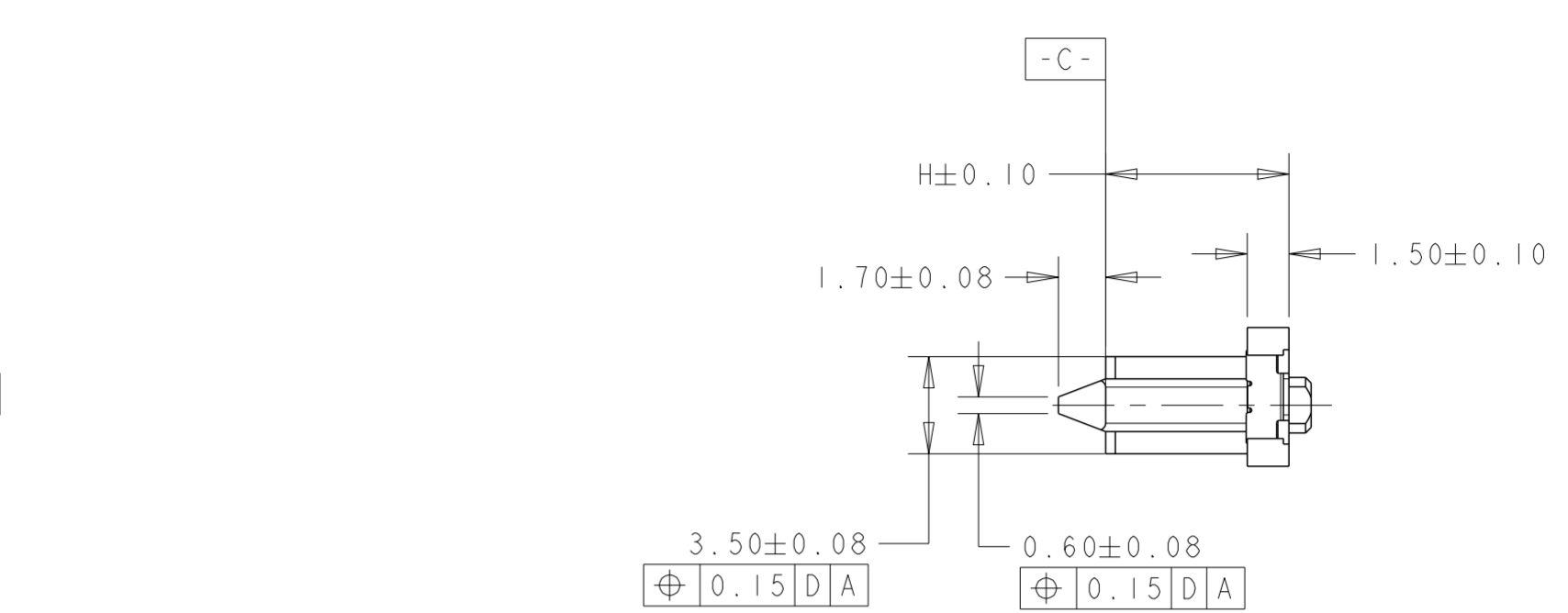
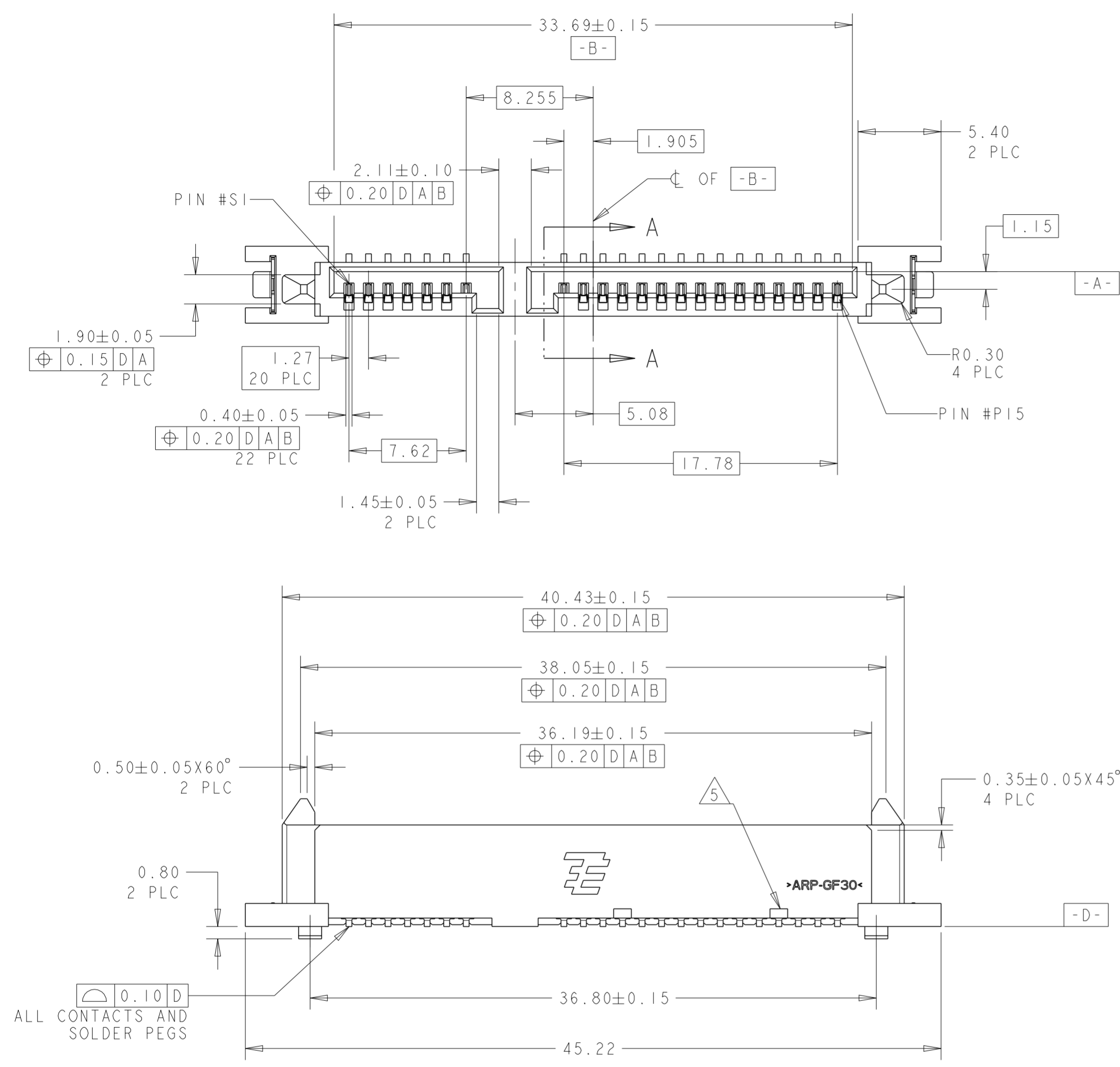
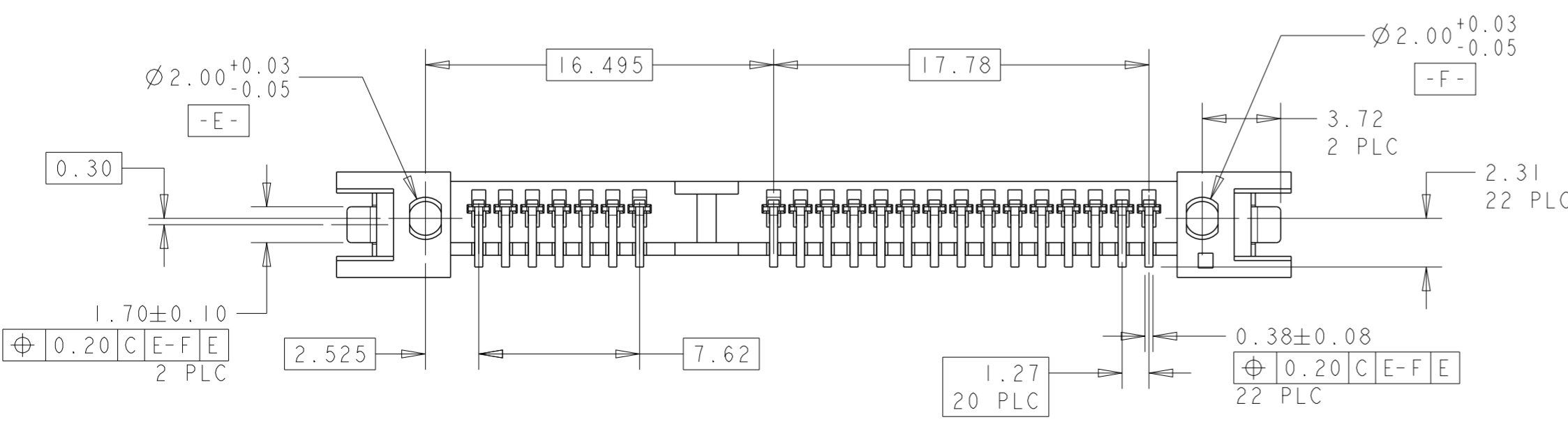


THIS DRAWING IS UNPUBLISHED. RELEASED FOR PUBLICATION 20
 © COPYRIGHT 20 BY - ALL RIGHTS RESERVED.

LOC		DIST		REVISIONS			
P	LTR	DESCRIPTION		DATE	DWN	APVD	
D		REVISED PER ECR-17-002389		20FEB2017	S.W	W.H	



- NOTES:
- 1 MATERIAL:
HOUSING: HIGH TEMP THERMOPLASTIC, UL94V-0,
COLOR: BLACK
CONTACT: COPPER ALLOY
BOARDLOCK: COPPER ALLOY
 - 2 FINISH:
CONTACT AREA: SEE TABLE GOLD PLATING
SOLDERTAIL: MIN 2.54um MATTE TIN PLATING
UNDERPLATE: MIN 1.27um NICKEL PLATING
 - 3 PIN #P4 AND #PI2 ONLY
 - 4 VIEWS IN SHEET 1 ARE SHOWN WITHOUT PICKUP CAP
 - 5 HOUSING OPENING APPLICABLE TO -2 AND -5 ONLY



0.76	450	T&R	YES	STANDARD PROFILE	8.15	1735284-7
0.38	550	T&R	YES	LOW PROFILE	6.60	1735284-6
Au um	QTY/REEL	PACKAGE	PICK-UP CAP	REMARKS	HEIGHT (H)	PART NUMBER

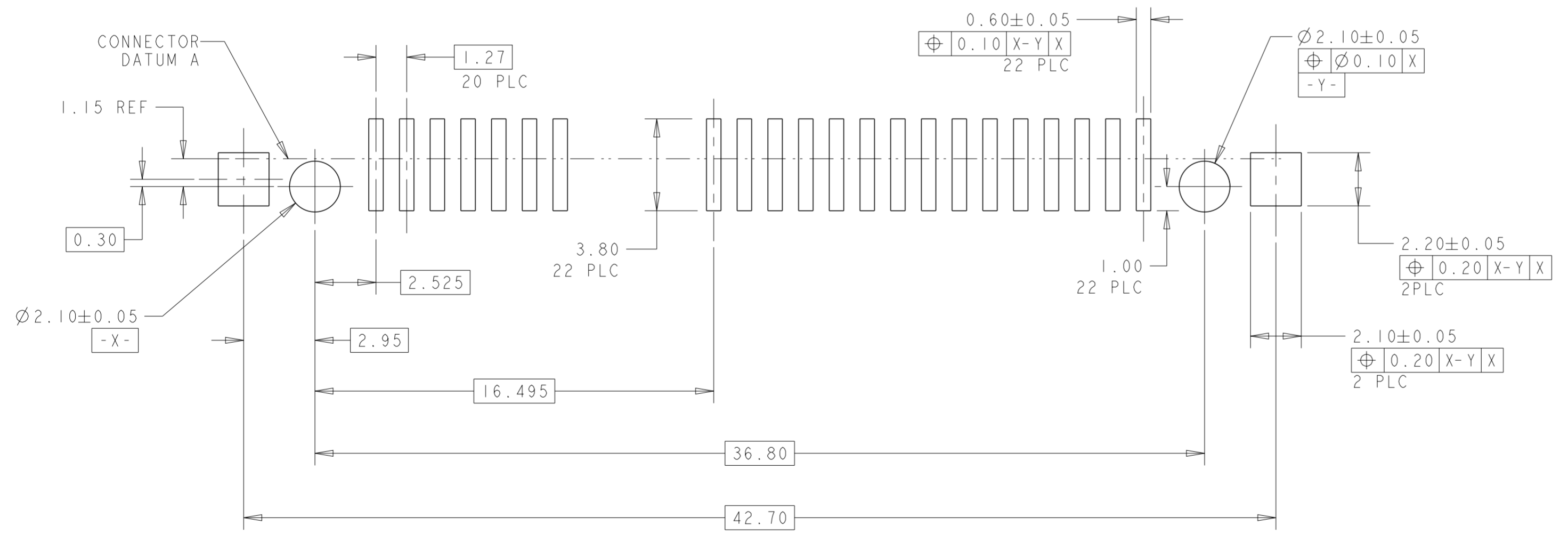
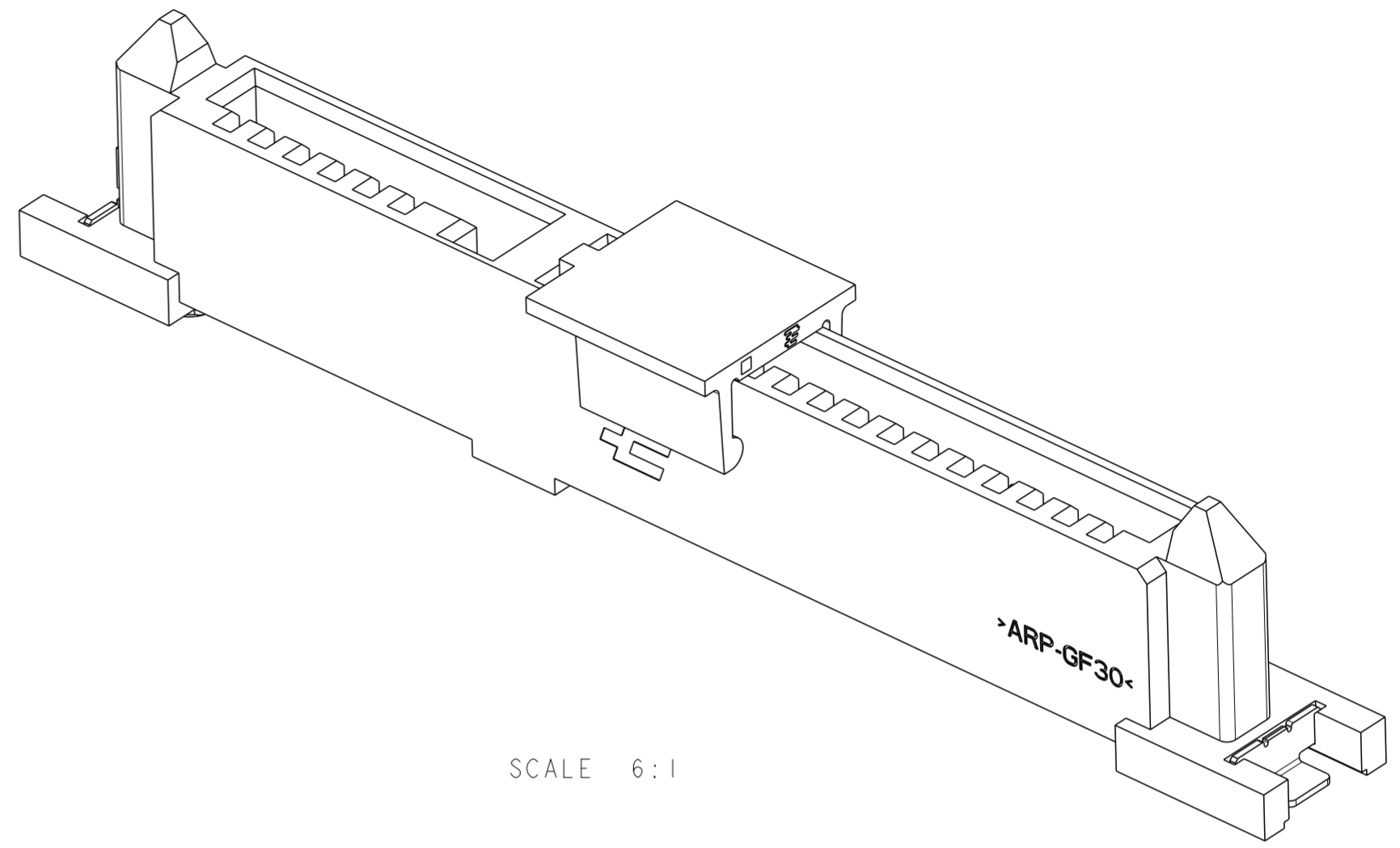
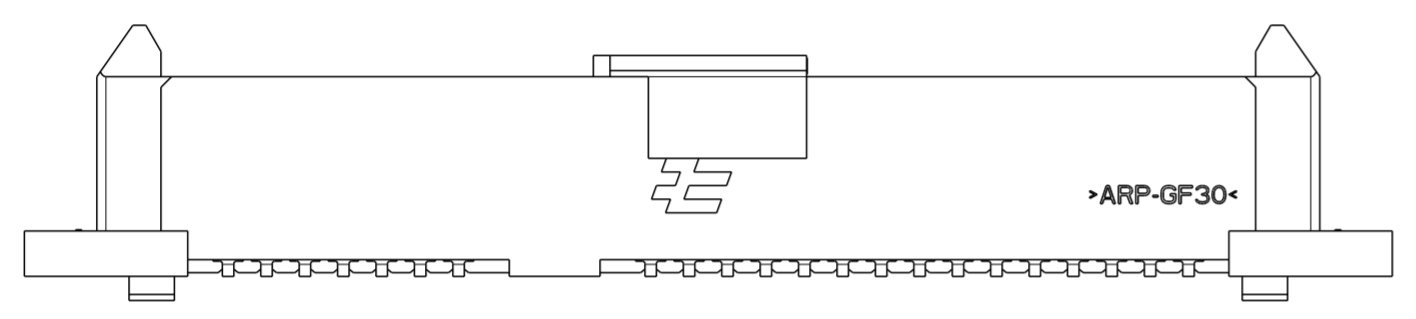
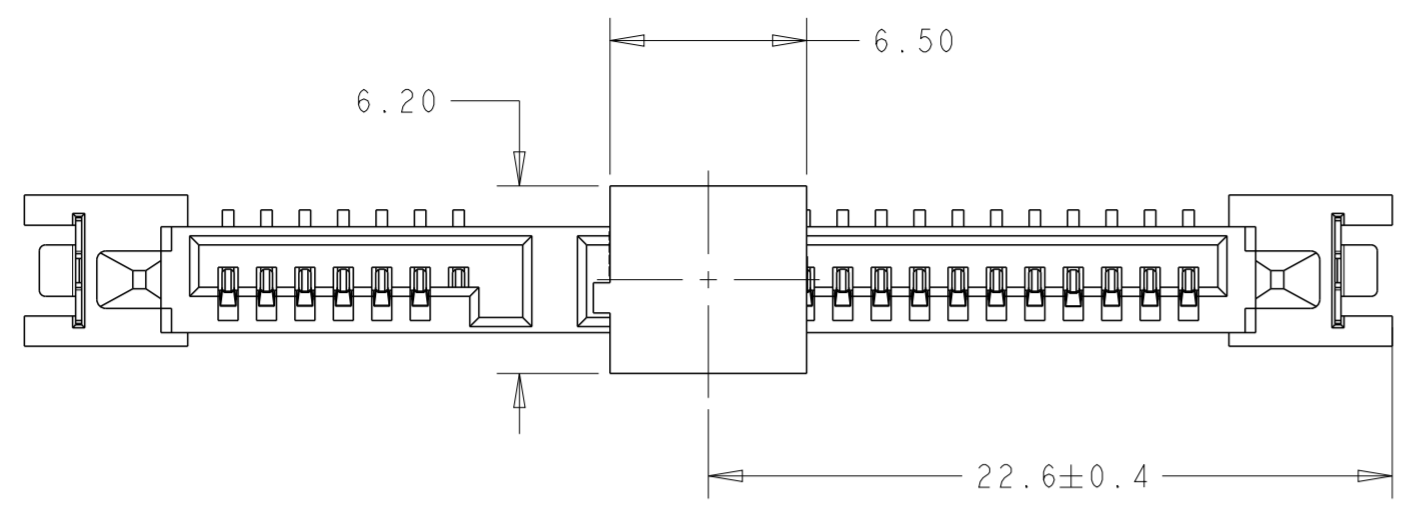
0.76	48	TYPE 1	YES	STANDARD PROFILE	8.15	1735284-5
0.38	20	TYPE 2	YES	LOW PROFILE	6.60	1735284-4
0.38	20	TYPE 2	NO	LOW PROFILE	6.60	1735284-3
0.76	20	TYPE 2	NO	STANDARD PROFILE	8.15	1735284-2
0.38	48	TYPE 1	YES	LOW PROFILE	6.60	1735284-1
Au um	QTY/TRAY	TRAY	PICK-UP CAP	REMARKS	HEIGHT (H)	PART NUMBER

THIS DRAWING IS A CONTROLLED DOCUMENT.

DWN SK LEAW 14NOV2005	TE Connectivity NAME: SATA BACKPLANE RECEPTACLE, VERTICAL, SMT SIZE: A2 CAGE CODE: 00779 DRAWING NO: 1735284 RESTRICTED TO:
CHK SF LEONG 14NOV2005	
APVD SF LEONG 14NOV2005	
PRODUCT SPEC: 108-51052-1	
MATERIAL: 1	WEIGHT: - SCALE: 4:1 SHEET 1 OF 5 REV D

THIS DRAWING IS UNPUBLISHED. RELEASED FOR PUBLICATION 20
 © COPYRIGHT 20 BY - ALL RIGHTS RESERVED.

LOC		DIST		REVISIONS				
P	LTR	DESCRIPTION	DATE	DWN	APVD			
-	-	SEE SHEET 1	-	-	-			

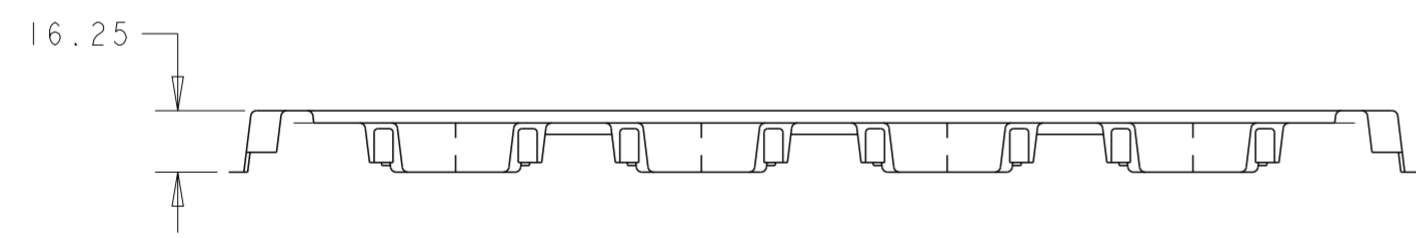
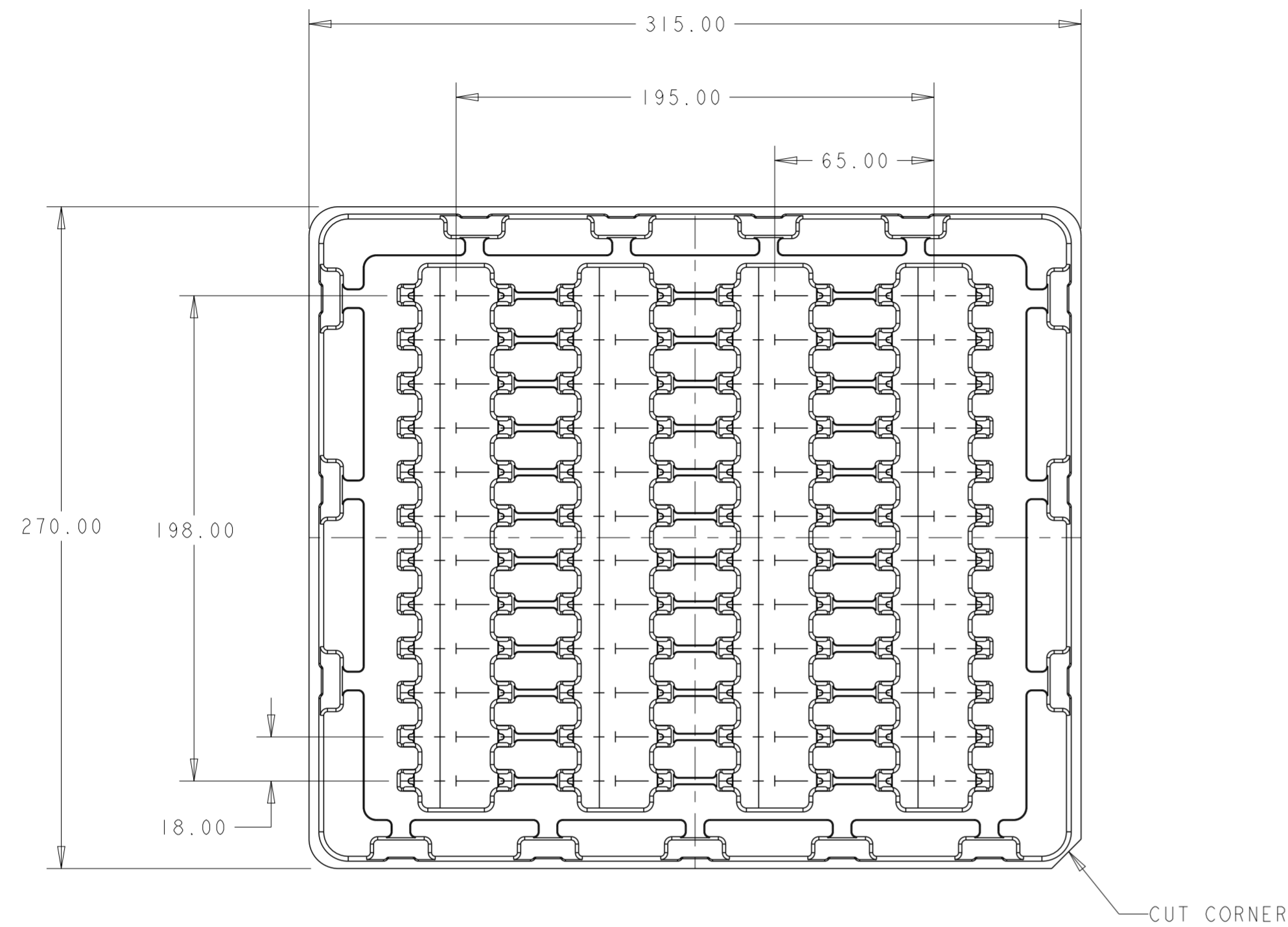


RECOMMENDED PCB LAYOUT
SCALE 6:1

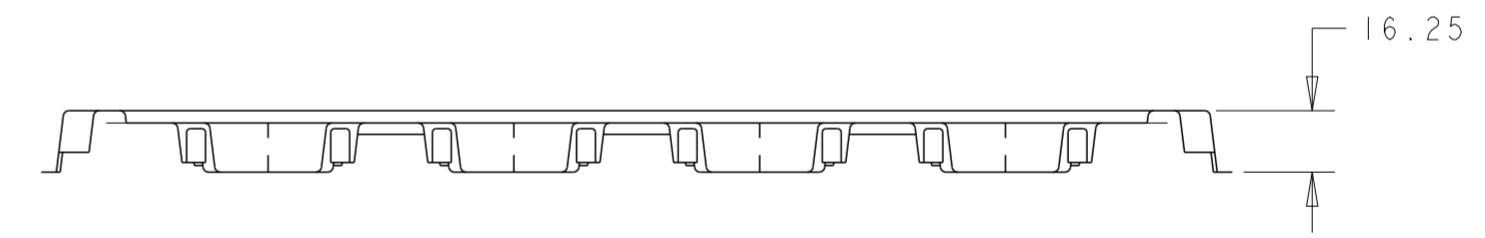
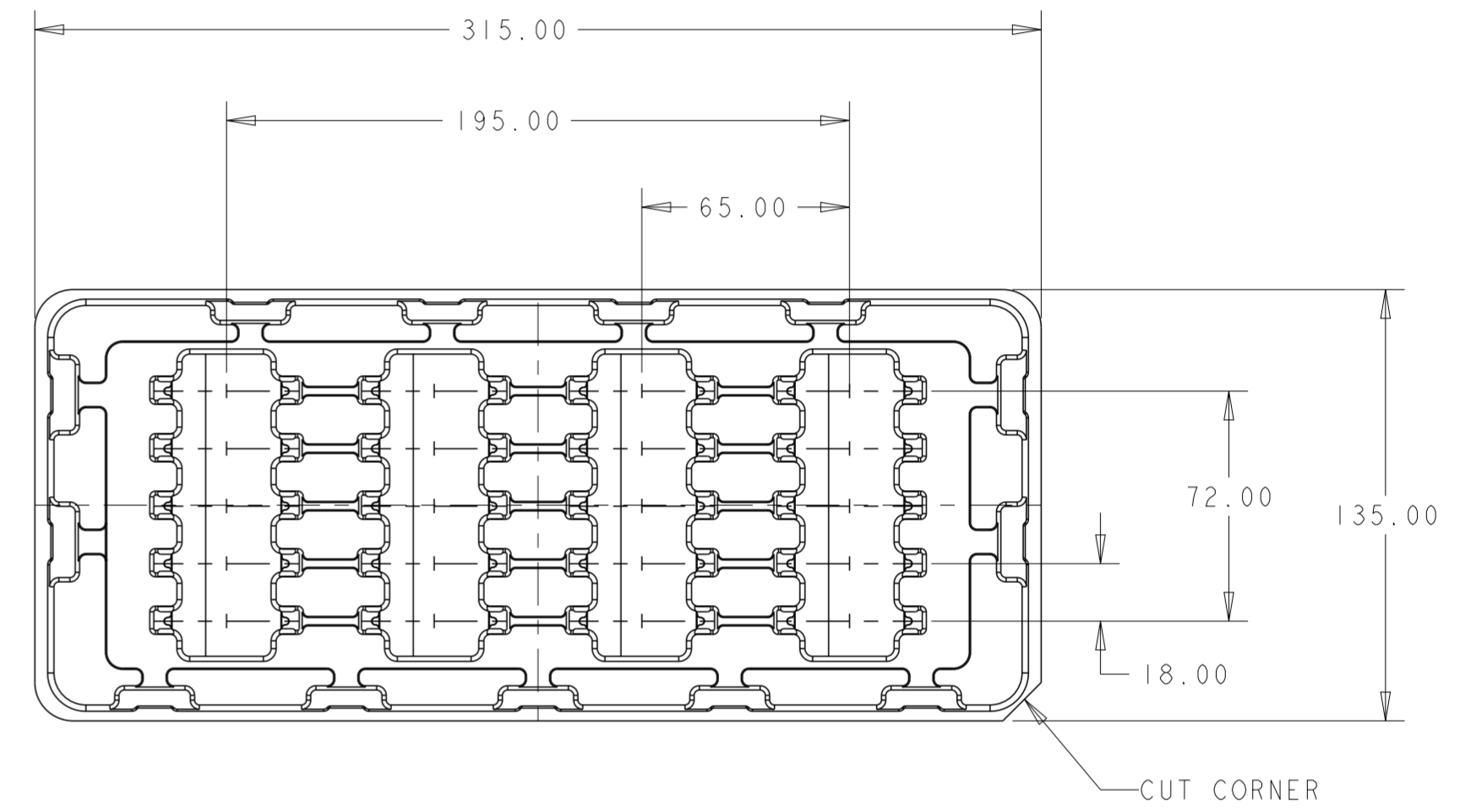
THIS DRAWING IS A CONTROLLED DOCUMENT.		DWN	TE Connectivity		
DIMENSIONS: mm		CHK			
TOLERANCES UNLESS OTHERWISE SPECIFIED:		APVD	NAME		
0 PLC ±	1 PLC ±	PRODUCT SPEC	SATA BACKPLANE RECEPTACLE, VERTICAL, SMT		
2 PLC ±0.20	3 PLC ±	APPLICATION SPEC	SIZE	CAGE CODE	DRAWING NO
4 PLC ±	ANGLES ±3°	WEIGHT	A200779	G-1735284	RESTRICTED TO
MATERIAL	FINISH	CUSTOMER DRAWING	SCALE 4:1	SHEET 2 OF 5	REV D

THIS DRAWING IS UNPUBLISHED. RELEASED FOR PUBLICATION 20
 © COPYRIGHT 20 BY - ALL RIGHTS RESERVED.

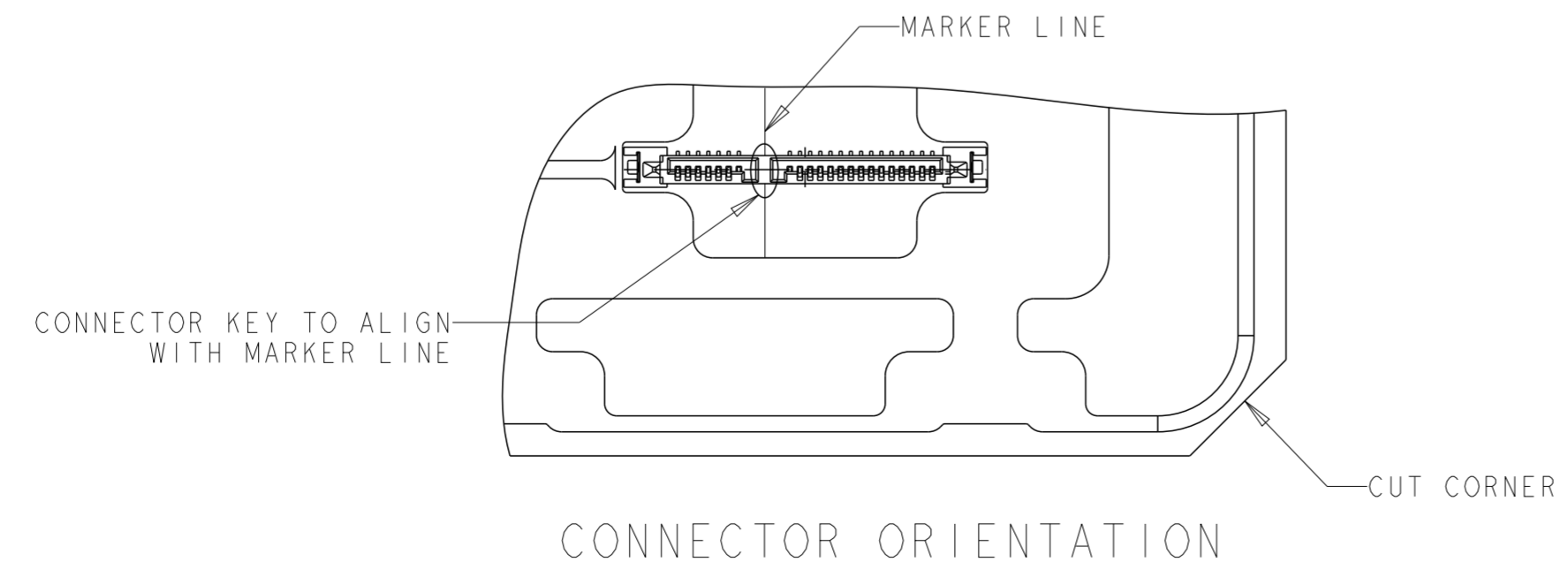
LOC	DIST	REVISIONS					
DY		P	LTR	DESCRIPTION	DATE	DWN	APVD
		-		SEE SHEET 1	-	-	-



TRAY, TYPE 1
QTY/TRAY: 48PCS



TRAY, TYPE 2
QTY/TRAY: 20PCS

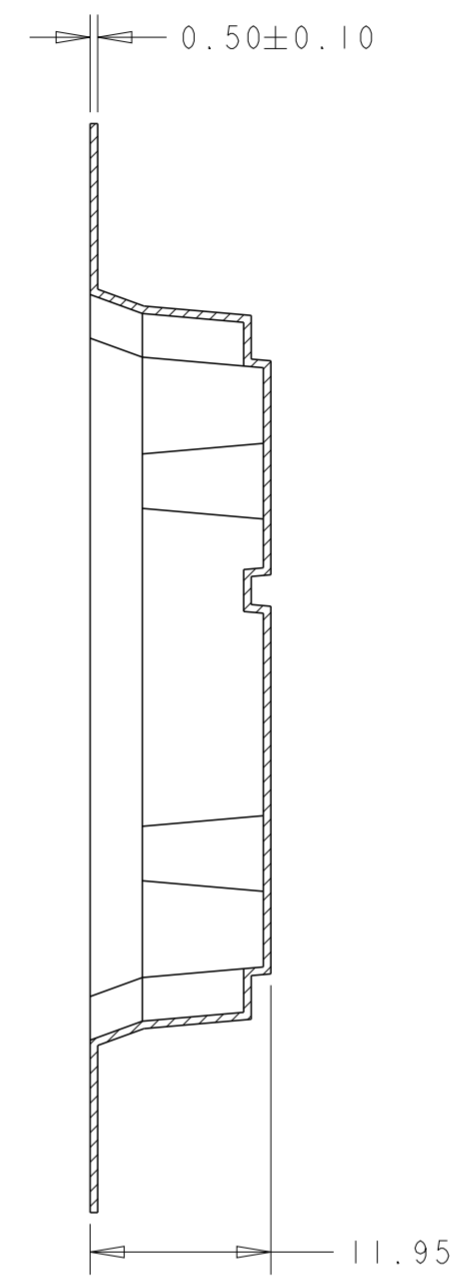
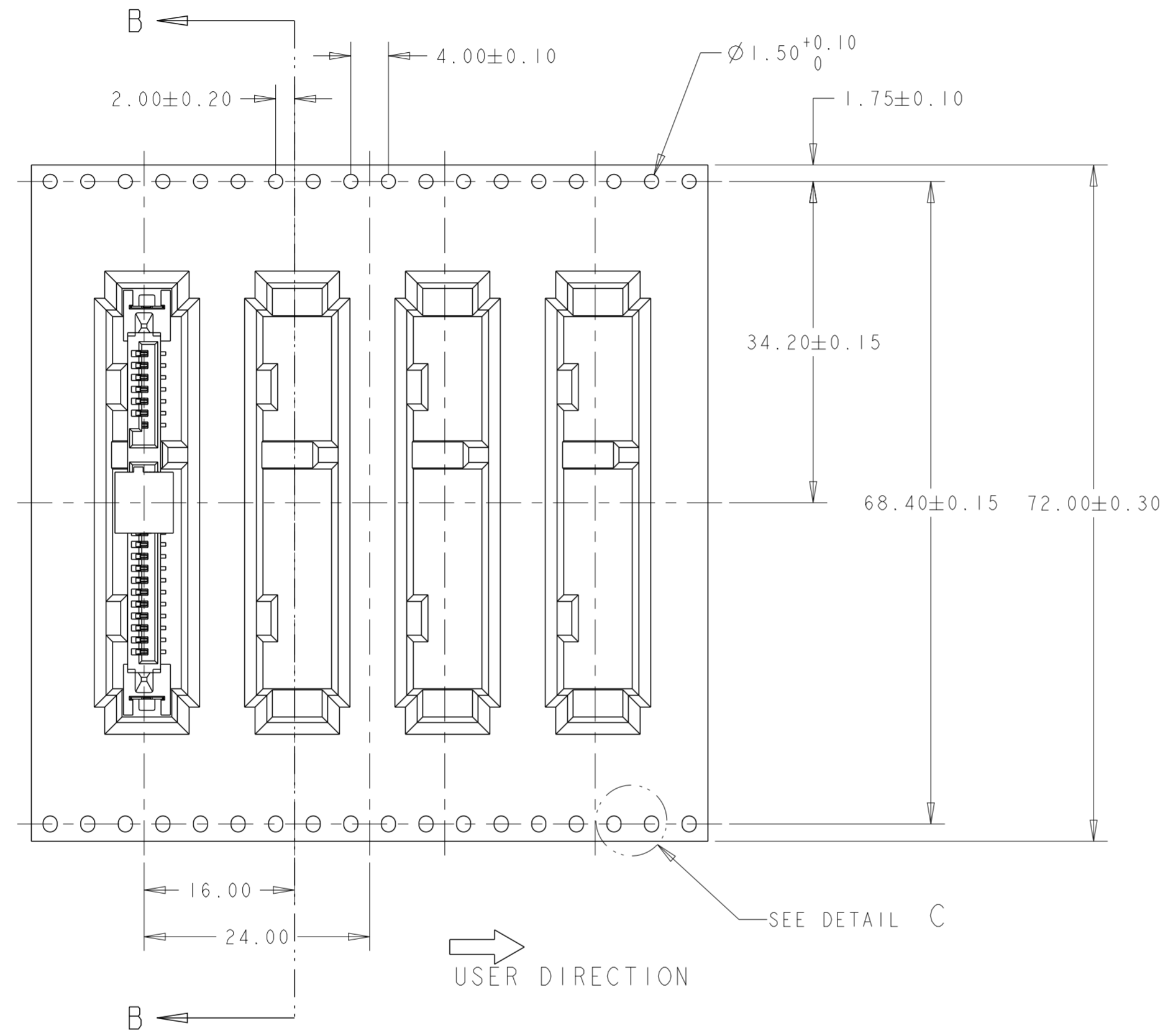


THIS DRAWING IS A CONTROLLED DOCUMENT.		DWN	STE TE Connectivity		
DIMENSIONS: mm		CHK			
TOLERANCES UNLESS OTHERWISE SPECIFIED:		APVD	NAME SATA BACKPLANE RECEPTACLE, VERTICAL, SMT		
0 PLC	±	PRODUCT SPEC	SIZE	CAGE CODE	DRAWING NO
1 PLC	±	APPLICATION SPEC	A2	00779	C-1735284
2 PLC	±0.20	WEIGHT	RESTRICTED TO		
3 PLC	±	CUSTOMER DRAWING	SCALE	SHEET	OF
4 PLC	±		4:1	3	5
ANGLES	±3°				REV
FINISH					D

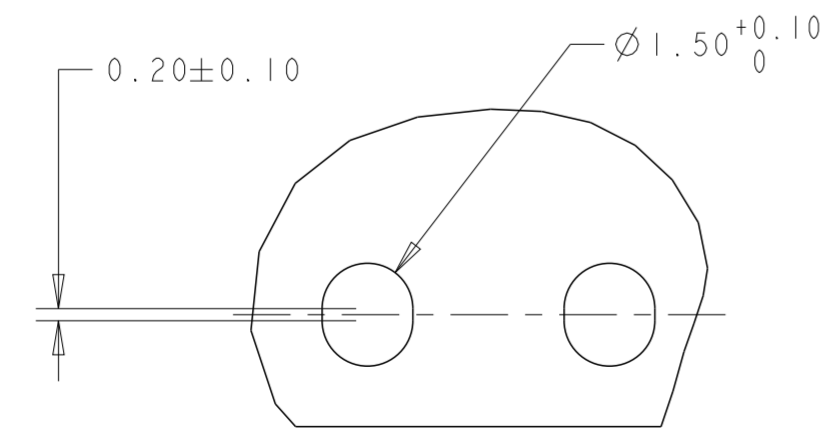
THIS DRAWING IS UNPUBLISHED. RELEASED FOR PUBLICATION 20
 © COPYRIGHT 20 BY - ALL RIGHTS RESERVED.

LOC		DIST		REVISIONS			
P	LTR	DESCRIPTION	DATE	DWN	APVD		
		SEE SHEET 1					

T&R FOR LOW PROFILE



- NOTES:
 1. PACKAGING QUANTITY: 550 PCS PER REEL.
 2. REEL: $\varnothing 380$ - $\varnothing 100$ HUB-89W(72.4W INSIDE).



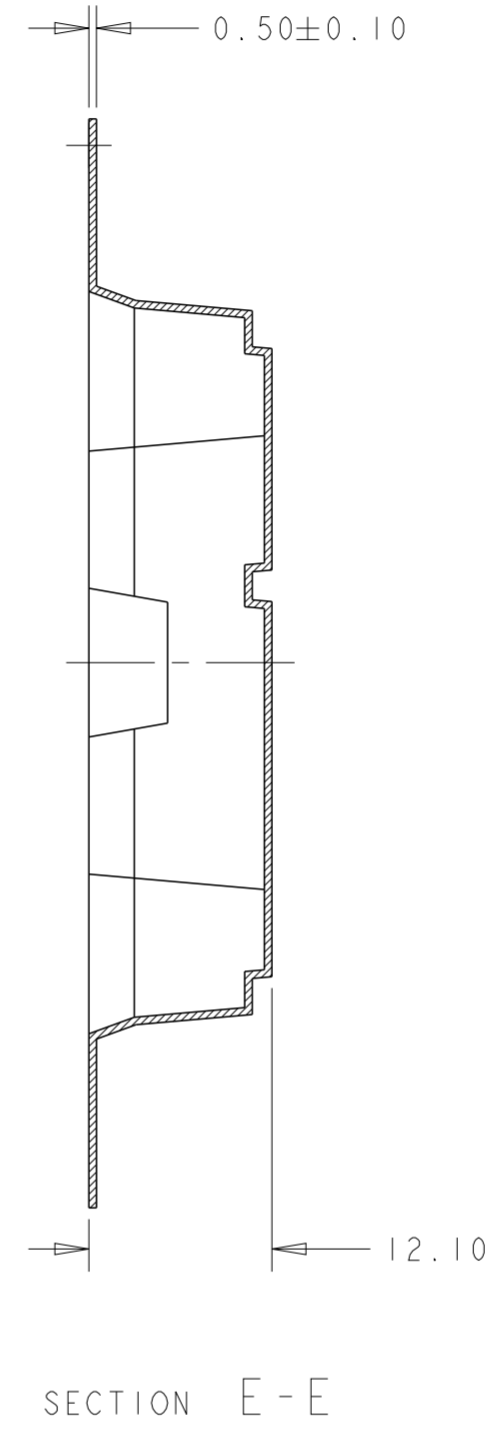
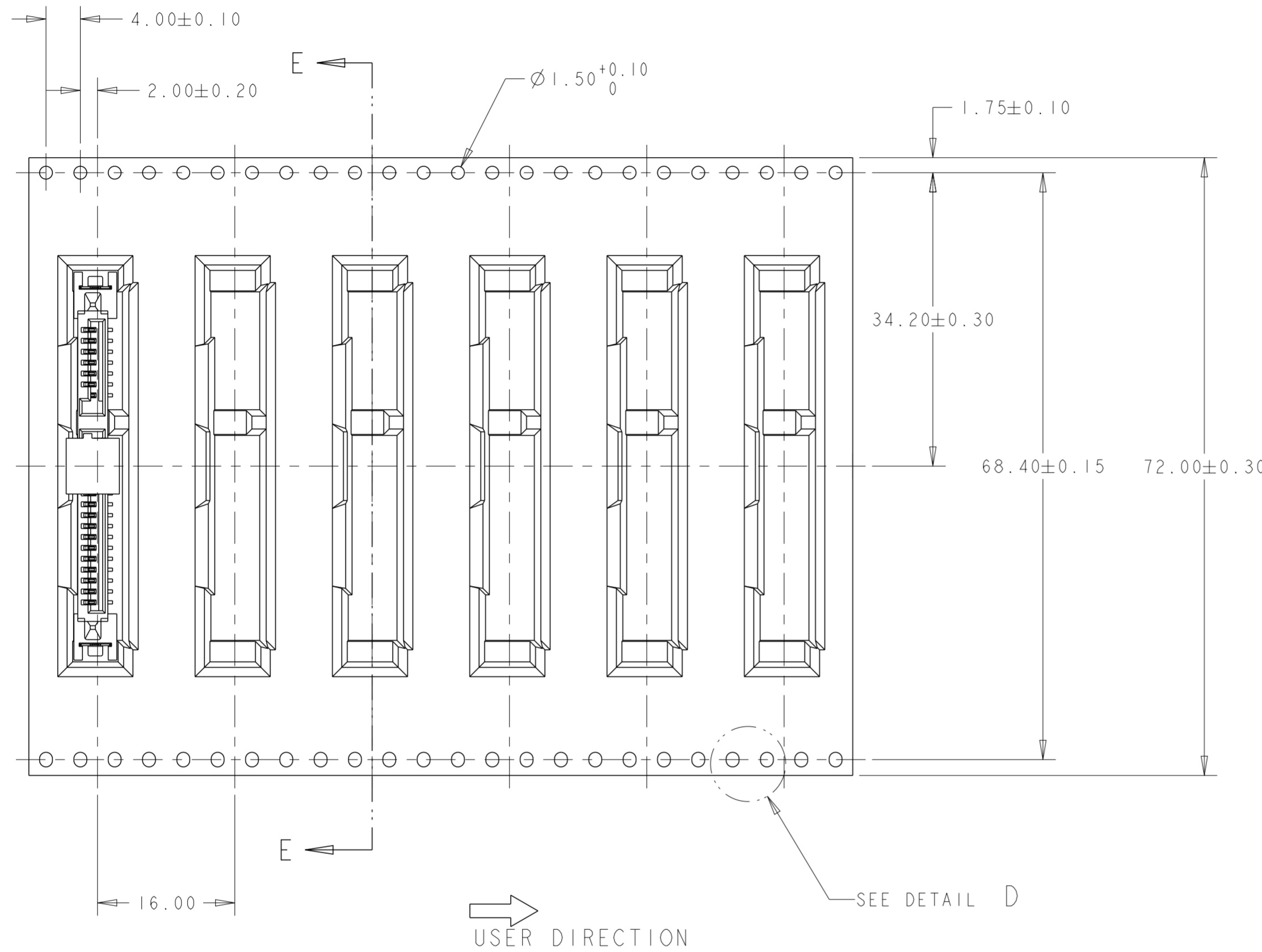
DETAIL C
 SCALE 8:1

THIS DRAWING IS A CONTROLLED DOCUMENT.		DWN	STE TE Connectivity		
DIMENSIONS: mm		CHK			
TOLERANCES UNLESS OTHERWISE SPECIFIED:		APVD	NAME SATA BACKPLANE RECEPTACLE, VERTICAL, SMT		
0 PLC ±		PRODUCT SPEC	SIZE	CAGE CODE	DRAWING NO
1 PLC ±		APPLICATION SPEC	A2	G-1735284	RESTRICTED TO
2 PLC ±0.3		WEIGHT	SCALE 2:1 SHEET 4 OF 5 REV D		
3 PLC ±		CUSTOMER DRAWING			
4 PLC ±					
ANGLES ±5°					
FINISH					

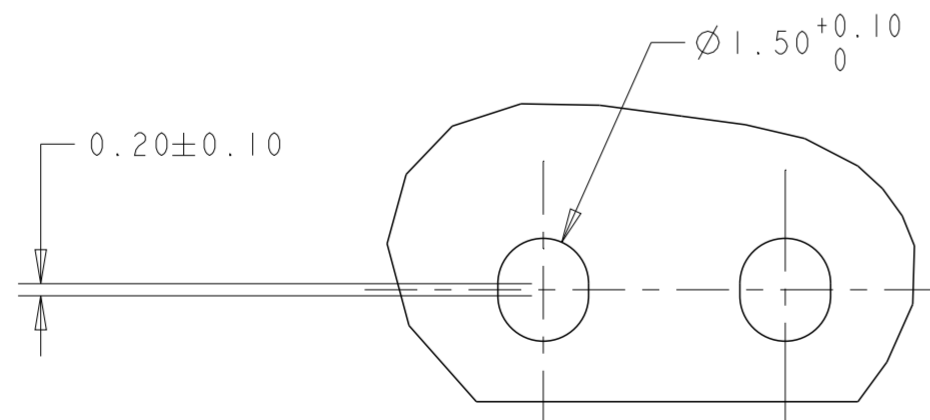
THIS DRAWING IS UNPUBLISHED. RELEASED FOR PUBLICATION 20
 © COPYRIGHT 20 BY - ALL RIGHTS RESERVED.

LOC		DIST		REVISIONS			
P	LTR	DESCRIPTION	DATE	DWN	APVD		
		SEE SHEET 1					

T&R FOR STANDARD PROFILE



- NOTES:
 1. PACKAGING QUANTITY: 450 PCS PER REEL.
 2. REEL: Ø380-Ø100HUB-89W(72.4W INSIDE).



DETAIL D
 SCALE 8:1

THIS DRAWING IS A CONTROLLED DOCUMENT.		DWN	STE TE Connectivity		
DIMENSIONS: mm		CHK			
TOLERANCES UNLESS OTHERWISE SPECIFIED:		APVD	NAME		
0 PLC ±	1 PLC ±	PRODUCT SPEC	SATA BACKPLANE RECEPTACLE, VERTICAL, SMT		
2 PLC ±0.3	3 PLC ±	APPLICATION SPEC	SIZE	CAGE CODE	DRAWING NO
4 PLC ±	ANGLES ±5°	WEIGHT	A2	G-1735284	RESTRICTED TO
MATERIAL FINISH		CUSTOMER DRAWING	SCALE 2:1	SHEET 5 OF 5	REV D

X-ON Electronics

Largest Supplier of Electrical and Electronic Components

Click to view similar products for [I/O Connectors](#) category:

Click to view products by [TE Connectivity](#) manufacturer:

Other Similar products are found below :

[571763P](#) [58098-0628](#) [72.250.1628.2](#) [72.250.2428.2](#) [74720-0505](#) [76.350.0729.0](#) [76871-1403](#) [FCN-244F080-G/1](#) [FCN-260A9920](#) [PCR-E36PM](#) [PCS-XE26MA+](#) [G38A71314B](#) [1571250010](#) [157-22500-3](#) [MS3471L14-19P L/C](#) [172501-4002](#) [172501-6002](#) [FCN-260C008-A/L0](#) [FCN-260C024-AL0](#) [FCN-261Z008](#) [2000314-1](#) [200331-1](#) [PCR-E36FC+](#) [PCS-E28FS+](#) [PCS-XE26SLFD+](#) [PCS-XE26SLFDT+](#) [G730VID08BDC24](#) [U90B2054081210](#) [38113800006](#) [DP3AR020WQ1R200](#) [Z4.102.0680.0](#) [500-1040](#) [500-1052](#) [500-1054](#) [ZP-4008-66L](#) [0709821002](#) [DX40-20P\(55\)](#) [5554841-1](#) [MS3474W18-8P-LC*](#) [U90B3054061110](#) [U65-E04-4020](#) [ZPF000000000097891](#) [747360449](#) [10099439-003C-TRLF](#) [10137239-0021LF](#) [E9320-001-01](#) [10137239-0011LF](#) [70289-001LF](#) [70.060.1028.0](#) [109029-ZZ](#)