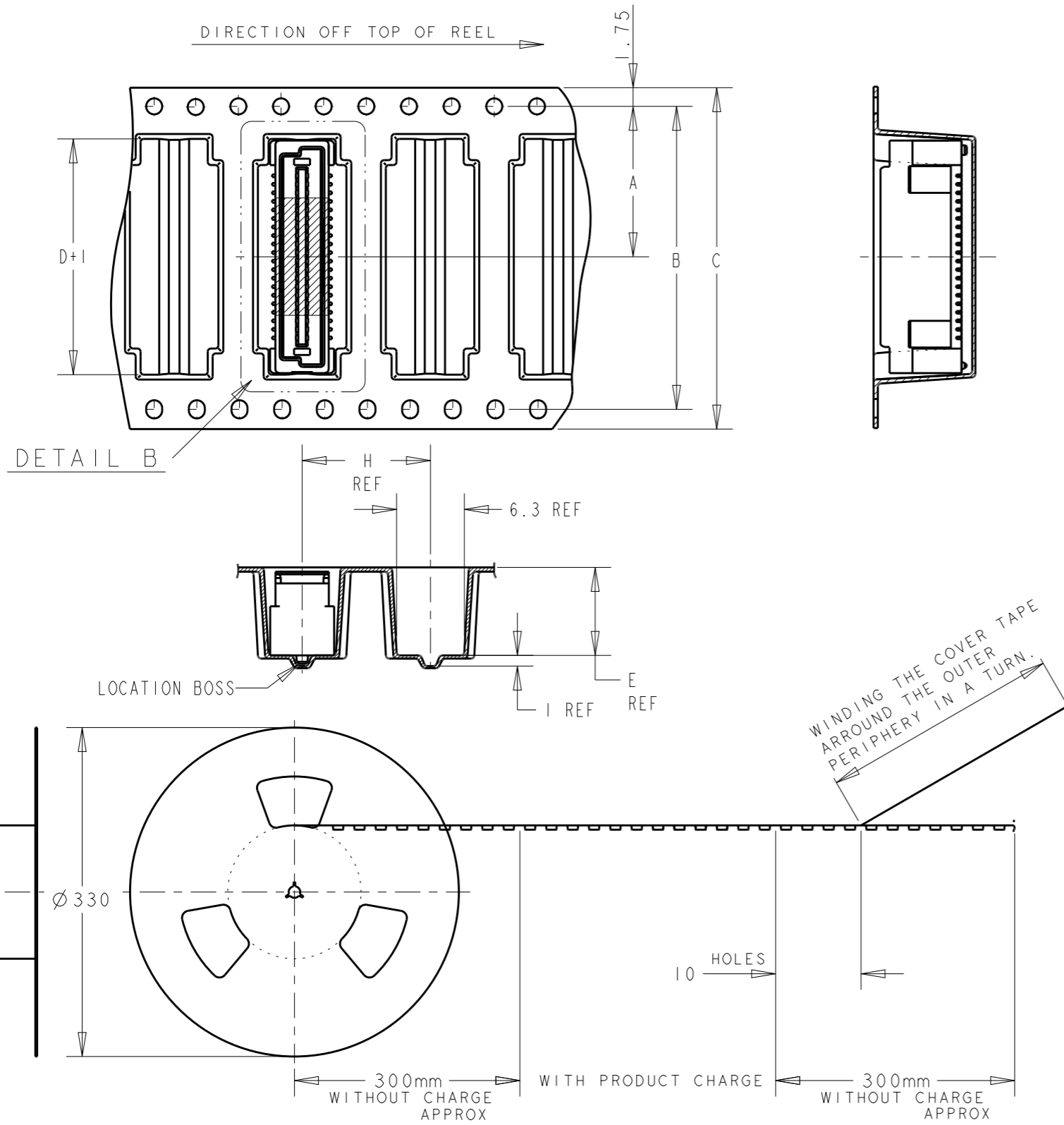


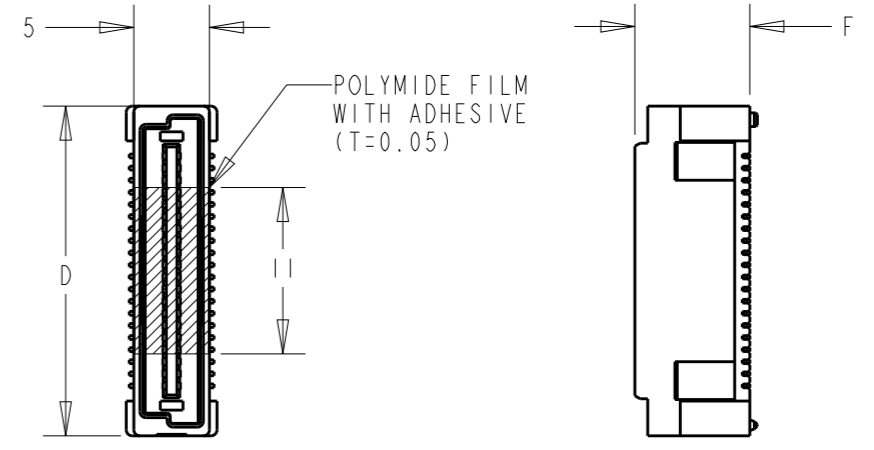
THIS DRAWING IS UNPUBLISHED. RELEASED FOR PUBLICATION  
 © COPYRIGHT BY TYCO ELECTRONICS CORPORATION. ALL RIGHTS RESERVED.

LOC	DIST	REVISIONS					
DY	-	P	LTR	DESCRIPTION	DATE	DWN	APVD
			A	REVISED PER ECO-17-018857	13DEC2017	R. L	H. L



NOTES:

- 1 MATERIAL:  
HOUSING: HIGH TEMP THERMOPLASTICS UL94-V0  
CONTACTS: COPPER ALLOY
- 2 FINISH:  
UNDERPLATE: 1.3um MIN NICKEL  
MATING AREA: 0.20um MIN Au  
SOLDERTAIL: 2.0um MIN Sn



DETAIL B

08Au/Sn	NOT AVAILABLE						85.8	104	100.4	50.2	200	1-	-0
							77.8	104	100.4	50.2	180		-9
							69.8	88	84.4	42.2	160		-8
							61.8	88	84.4	42.2	140		-6
	AVAILABLE	400				53.8	72	68.4	34.2	120		-5	
	NOT AVAILABLE					45.8	72	68.4	34.2	100		-4	
AVAILABLE					37.8	56	52.4	26.2	80			-3	
					29.8	44	40.4	20.2	60			-2	
AVAILABLE	600	8H	12	7.6	8.25	21.8	32	28.4	14.2	40	1735434-1		
REMARKS	TOOLING STATUS	QTY	HEIGHT TYPE	H	F	E	D	C	B	A	POS	PART NO.	

THIS DRAWING IS A CONTROLLED DOCUMENT FOR TYCO ELECTRONICS CORPORATION IT IS SUBJECT TO CHANGE AND THE CONTROLLING ENGINEERING ORGANIZATION SHOULD BE CONTACTED FOR THE LATEST REVISION.

DIMENSIONS:	TOLERANCES UNLESS OTHERWISE SPECIFIED:
mm	
	0 PLC ±.
	1 PLC ±0.3
	2 PLC ±0.25
	3 PLC ±.
	4 PLC ±.
	ANGLES ±3°
MATERIAL	FINISH
1	2

DWN WYLEE 18MAY2007

CHK YJ SEE

APVD SE LEONG

PRODUCT SPEC 108-5390

APPLICATION SPEC 114-5254

WEIGHT -

CUSTOMER DRAWING

Tyco Electronics Singapore Pte. Ltd.

NAME PLUG ASSY FOR 0.8 FH BTB CONN. 8mm HEIGHT (0.5mm BOSS LENGTH), ON EMBOSS TAPING WITH POLYIMIDE FILM, LF

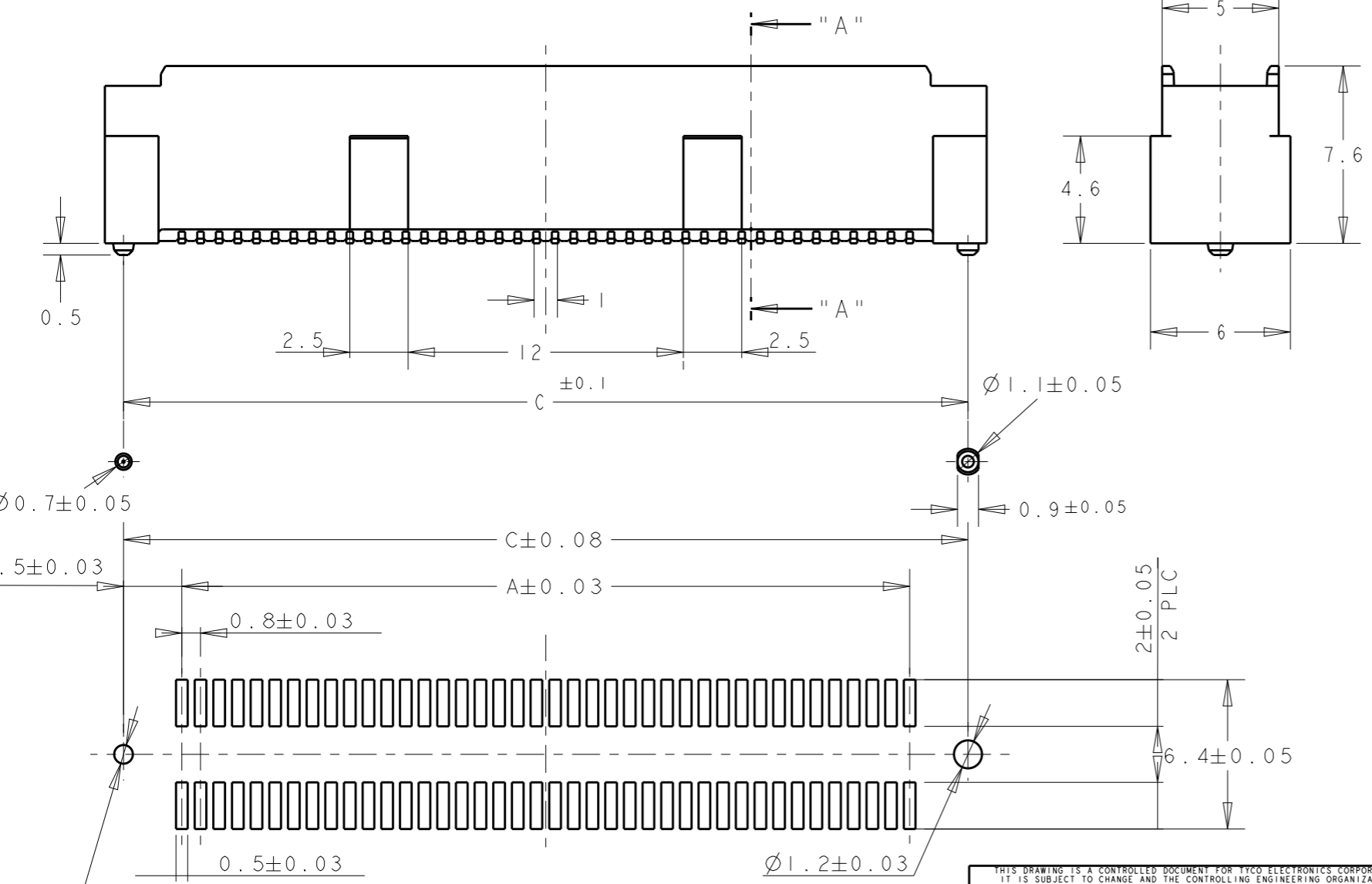
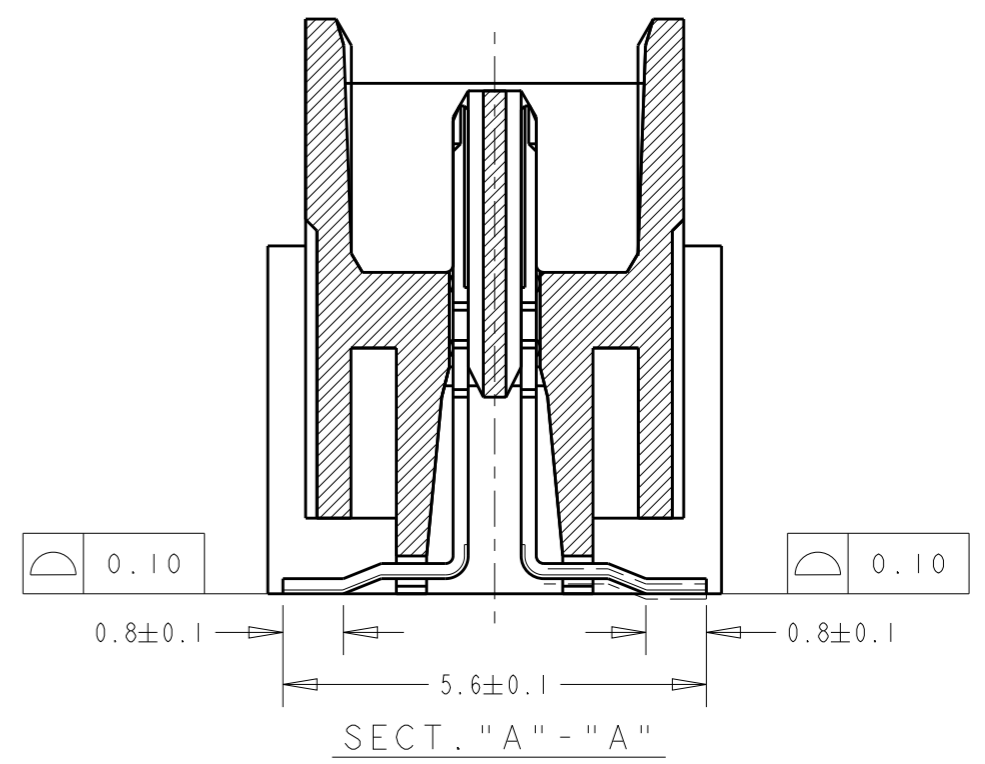
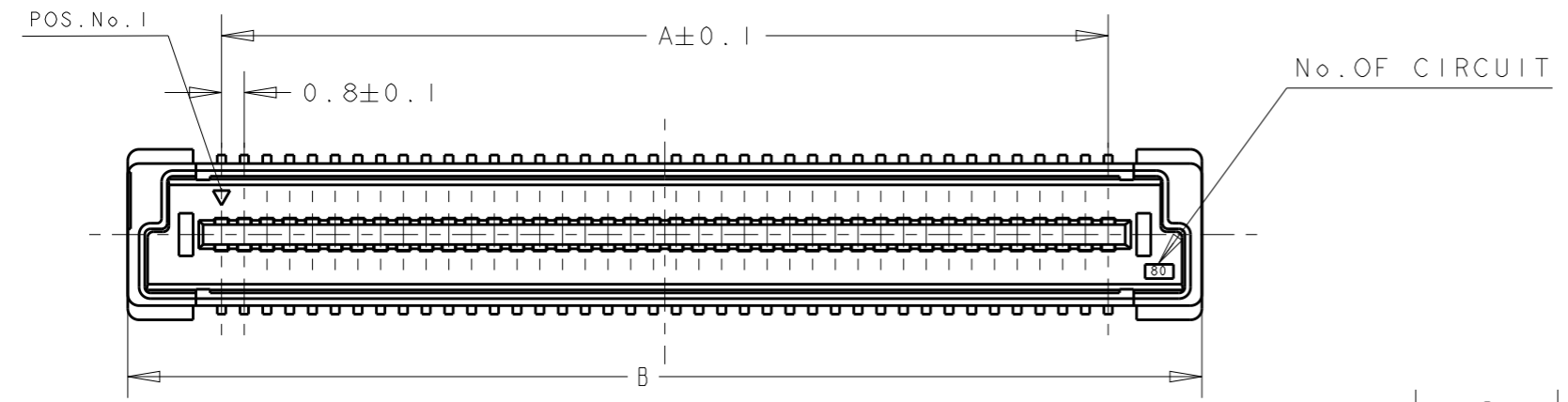
SIZE	CAGE CODE	DRAWING NO	RESTRICTED TO
A3	00779	1735434	

SCALE 2:1 SHEET 1 OF 2 REV A

(A) ADD CONNECTOR INFORMATION

THIS DRAWING IS UNPUBLISHED. RELEASED FOR PUBLICATION  
 © COPYRIGHT BY TYCO ELECTRONICS CORPORATION. ALL RIGHTS RESERVED.

LOC DY	DIST -	REVISIONS			
P	LTR	DESCRIPTION	DATE	DWN	APVD
		SEE SHEET 1			



84.2	85.8	79.2	200	1-	-0
76.2	77.8	71.2	180		-9
68.2	69.8	63.2	160		-8
60.2	61.8	55.2	140		-6
52.2	53.8	47.2	120		-5
44.2	45.8	39.2	100		-4
36.2	37.8	31.2	80		-3
28.2	29.8	23.2	60		-2
20.2	21.8	15.2	40		1735434-1
C	B	A	POS.	CONN P/N	

NOTES: RECOMMENDED P.C. BOARD LAYOUT

- 1 MATERIAL: HOUSING: L.C.P(HIGH TEMP THERMO PLASTIC) UL 94V-0, NATURAL. CONTACT: BRASS.
- 2 FINISH: CONTACT AREA: 0.0002 MIN GOLD SOLDERING AREA: 0.0020 MIN MATTE-TIN UNDERPLATE: 0.0013 MIN NICKEL ALL OVER

THIS DRAWING IS A CONTROLLED DOCUMENT FOR TYCO ELECTRONICS CORPORATION IT IS SUBJECT TO CHANGE AND THE CONTROLLING ENGINEERING ORGANIZATION SHOULD BE CONTACTED FOR THE LATEST REVISION.

DIMENSIONS:	TOLERANCES UNLESS OTHERWISE SPECIFIED:
mm	0 PLC ±.0
	1 PLC ±0.3
	2 PLC ±0.25
	3 PLC ±.
	4 PLC ±.
	ANGLES ±3°
MATERIAL	FINISH

DWN	18MAY2007
WYLEE	
CHK	YJ SEE
APVD	SE LFONG
PRODUCT SPEC	108-5390
APPLICATION SPEC	114-5254
WEIGHT	-
CUSTOMER DRAWING	

Tyco Electronics Singapore Pte. Ltd.	
NAME: PLUG ASSY FOR 0.8 FH BTB CONN. 8mm HEIGHT (0.5mm BOSS LENGTH), ON EMBOSS TAPING WITH POLYIMIDE FILM, LF	
SIZE	RESTRICTED TO
A3	
CAGE CODE	DRAWING NO
00779	1735434
SCALE	SHEET
2:1	2 OF 2
REV	A

## X-ON Electronics

Largest Supplier of Electrical and Electronic Components

*Click to view similar products for [Board to Board & Mezzanine Connectors](#) category:*

*Click to view products by [TE Connectivity](#) manufacturer:*

Other Similar products are found below :

[589158040000018](#) [MDF7C-18P-2.54DSA\(55\)](#) [FCN-230C068-11](#) [FCN-268F012-G/BD](#) [FCN-268F036-G/BD](#) [FCN-268M012-G/0D](#) [FCN-268M024-G/1D](#) [FCN-723J004/1](#) [MIS-048-01-F-D-DP-K](#) [832-10-034-10-001000](#) [FX4C-80S-1.27DSA](#) [FCN-214Q030-G/0](#) [FCN-234P048-G/0](#) [FCN-235D050-G/C](#) [210-93-314-41-105000](#) [2-22603-0](#) [MDF7-40DP-2.54DSA\(55\)](#) [AXG720047](#) [5031084030](#) [MIT-114-03-F-D-K](#) [55323-1519](#) [DF33-2P-3.3DSA\(24\)](#) [YFT-20-05-H-03-SB-K](#) [503308-3040](#) [026-6203-PDB](#) [027-6203-PDB](#) [069159702701000](#) [10123981-102LF](#) [101A10019X](#) [55650-0588-C](#) [68682-310LF](#) [68684-306](#) [75140-7012](#) [87471-650](#) [194261-1](#) [FCN-268F024-G0D](#) [10124054-515LF](#) [68685-603](#) [8-1616154-3](#) [MIS-019-01-F-D](#) [FCN-268M024-G/3D](#) [20021832-06016C1LF](#) [KX15-20KLDL-E1000E](#) [MDF7-16DP-2.54DSA\(55\)](#) [AXE810124](#) [FCN-214J100-G/0](#) [FCN-230C068-E/S](#) [AXE812124](#) [AXE816124](#) [AXE720127](#)