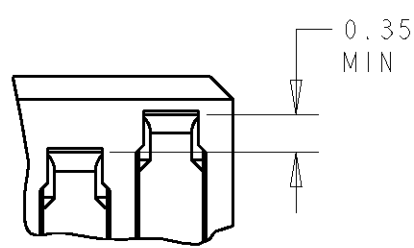
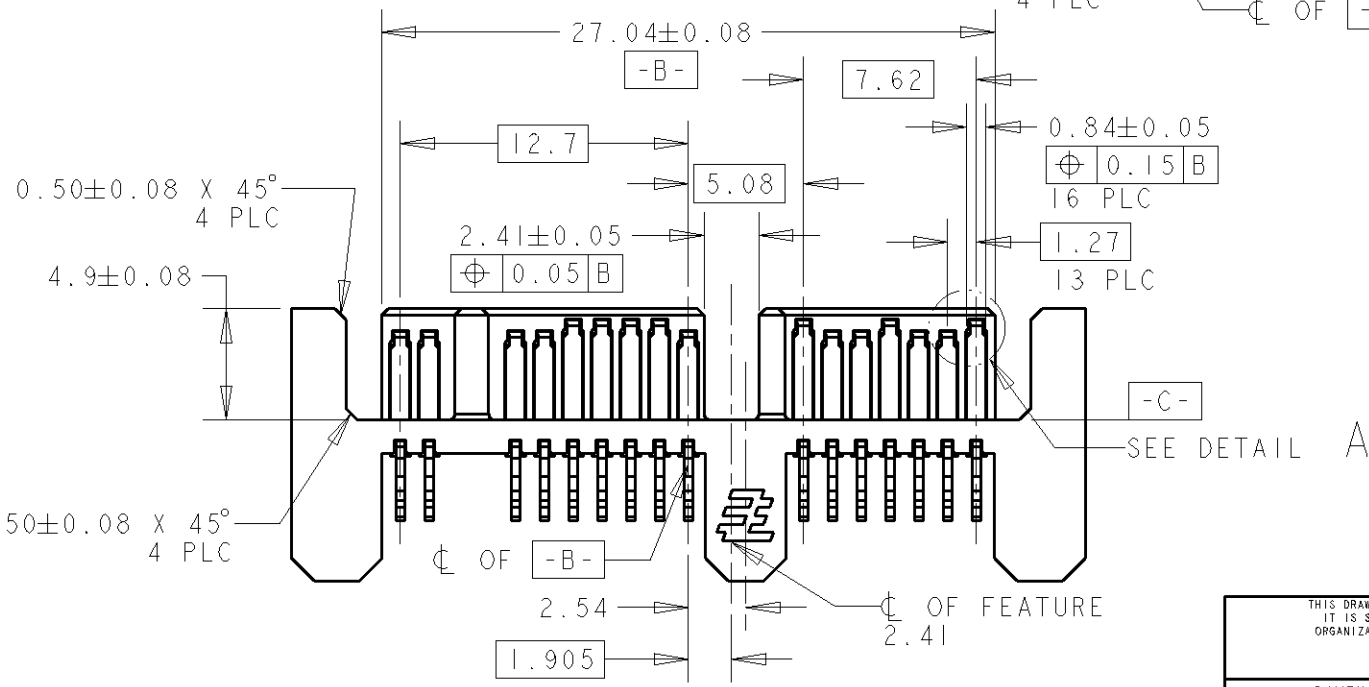
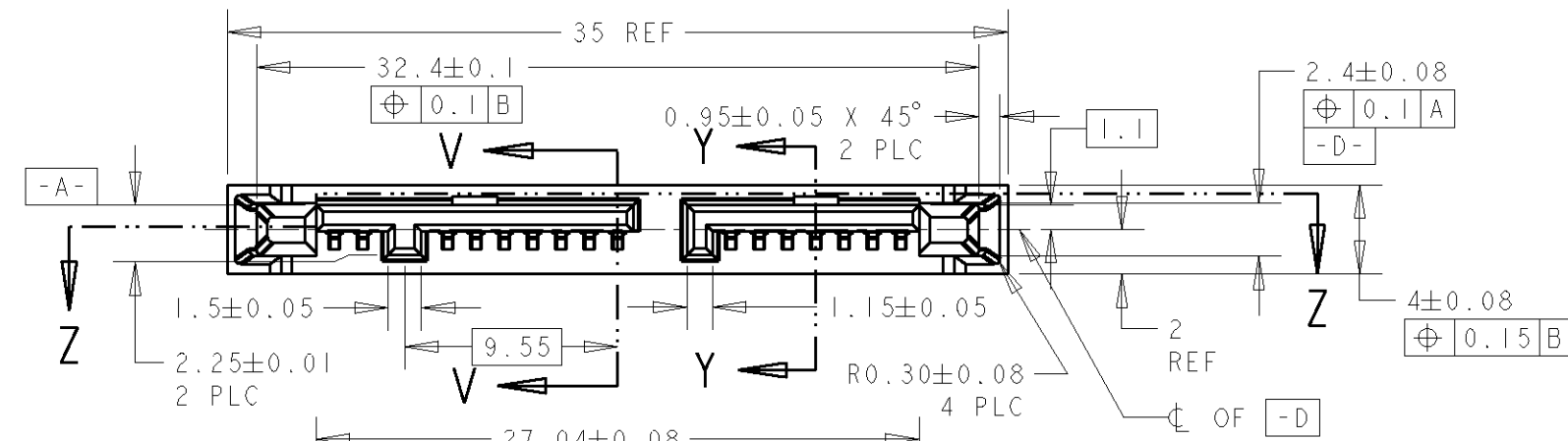
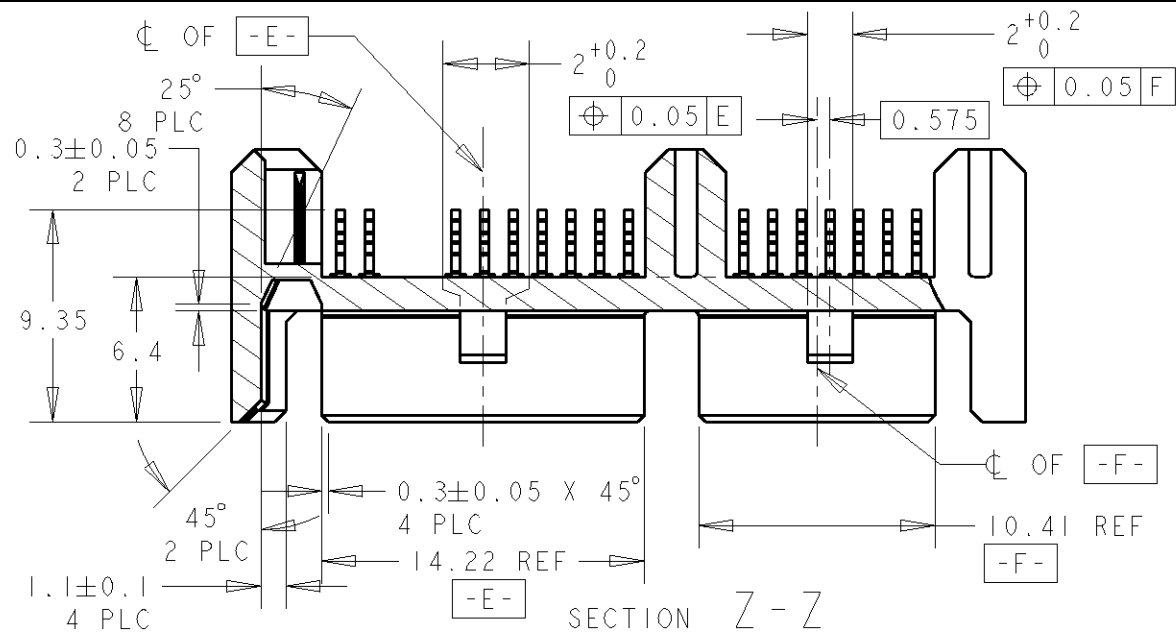
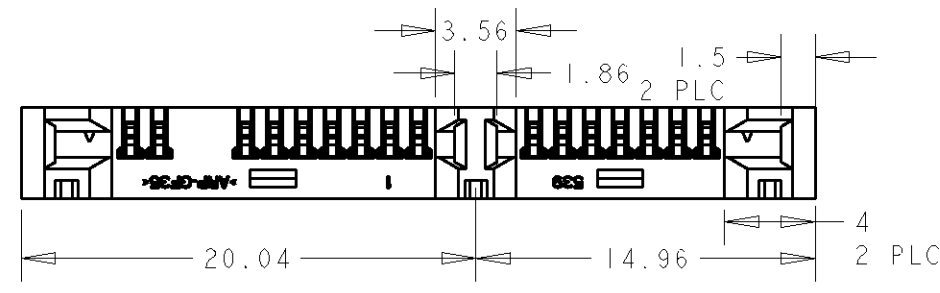


| LOC | | DIST | | REVISIONS | | | |
|-----|-----|-------------|-------------------|-----------|------|-----|--|
| P | LTR | DESCRIPTION | DATE | DWN | APVD | | |
| DY | - | A | NPR ECR-07-017845 | 03SEP2007 | YKW | LSF | |



DETAIL A
SCALE 10:1



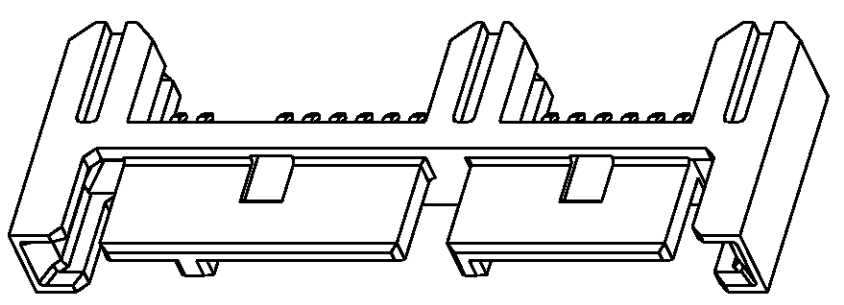
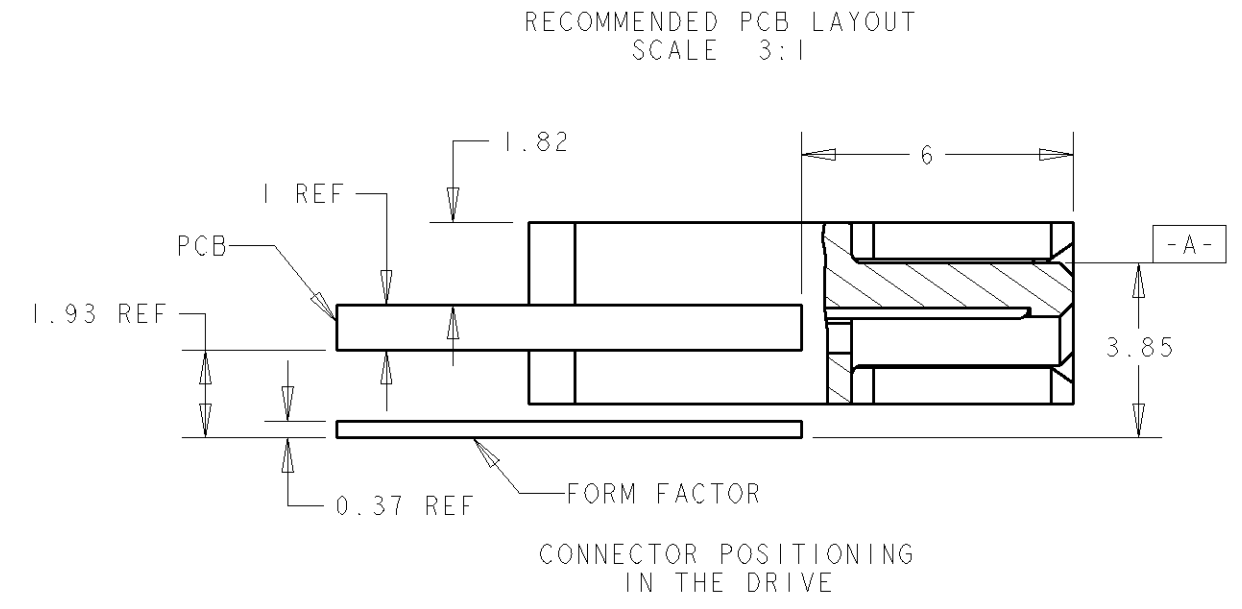
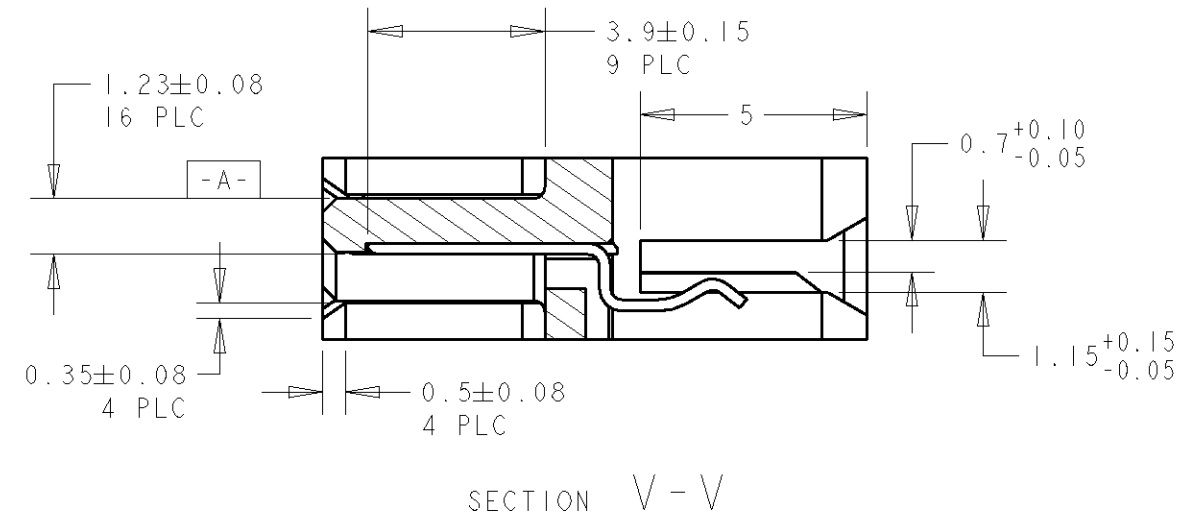
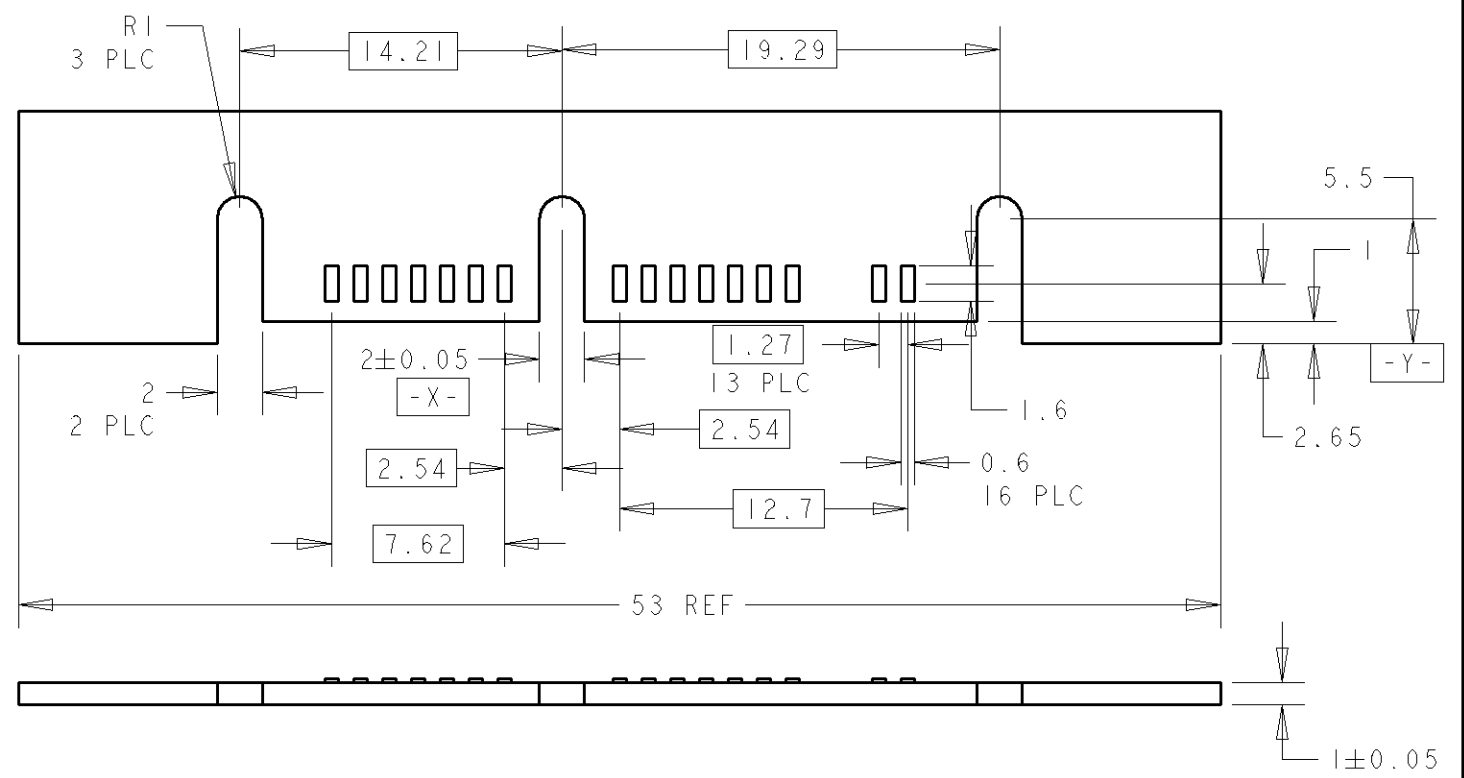
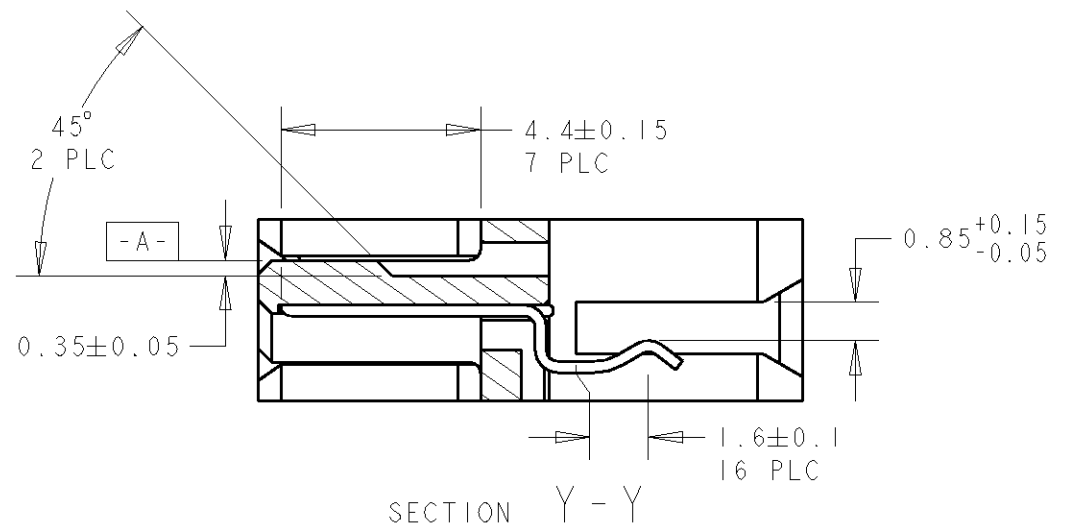
NOTE:
 1 MATERIAL:
 HOUSING: HIGH TEMP THERMOPLASTIC, UL94 V-0, BLACK
 CONTACT: COPPER ALLOY
 2 FINISH:
 CONTACT: "A" MIN GOLD AT MATING AREA (SEE TABLE)
 AND 0.05µm MIN GOLD AT SOLDER TAIL AREA
 WITH 1.27µm MIN NICKEL UNDERPLATE ALL OVER.

| | |
|--------|-----------|
| 0.76µm | 1735443-3 |
| 0.38µm | 1735443-2 |
| 0.05µm | 1735443-1 |
| "A" | PART NO. |

| | | | | | |
|---|--|---------------------------|------------------|---|--------------------|
| THIS DRAWING IS A CONTROLLED DOCUMENT FOR AMP INCORPORATED. IT IS SUBJECT TO CHANGE AND THE CONTROLLING ENGINEERING ORGANIZATION SHOULD BE CONTACTED FOR THE LATEST REVISION. | | DWN KW YAP | 03SEP2007 | Tyco Electronics Singapore Pte. Ltd. | |
| DIMENSIONS: mm | | CHK SF LEONG | APVD SF LEONG | NAME | |
| TOLERANCES UNLESS OTHERWISE SPECIFIED: 0 PLC ±0.20 1 PLC ±0.20 2 PLC ±0.20 3 PLC ±0.20 4 PLC ± ANGLES ±° | | PRODUCT SPEC 108-51089 | | CONNECTOR, MICRO SATA PLUG, 7P+9P STRADDLE MOUNT | |
| MATERIAL | | WEIGHT | | SIZE A3 | CAGE CODE 00779 |
| FINISH | | CUSTOMER DRAWING | | DRAWING NO 1735443 | SCALE 1:1 |
| | | | | SHEET 1 | OF 2 |
| | | | | REV A | |

THIS DRAWING IS UNPUBLISHED. RELEASED FOR PUBLICATION .19
 BY AMP INCORPORATED. ALL RIGHTS RESERVED.

| LOC | DIST | REVISIONS | | | |
|-----|------|-------------|------|-----|------|
| P | LTR | DESCRIPTION | DATE | DWN | APVD |
| DY | - | SEE SHEET 1 | | | |



| | | | | |
|---|--|----------------------------|---|--------------------|
| THIS DRAWING IS A CONTROLLED DOCUMENT FOR AMP INCORPORATED. IT IS SUBJECT TO CHANGE AND THE CONTROLLING ENGINEERING ORGANIZATION SHOULD BE CONTACTED FOR THE LATEST REVISION. | | DWN KW YAP 23MAY2007 | Tyco Electronics Singapore Pte. Ltd. | |
| DIMENSIONS: mm | TOLERANCES UNLESS OTHERWISE SPECIFIED: | CHK SF LEONG | NAME | |
| | 0 PLC ±0.20 | APVD SF LEONG | CONNECTOR, MICRO SATA PLUG, 7P+9P STRADDLE MOUNT | |
| | 1 PLC ±0.20 | PRODUCT SPEC 108-51089 | SIZE A3 | CAGE CODE 00779 |
| | 2 PLC ±0.20 | APPLICATION SPEC - | DRAWING NO 1735443 | |
| | 3 PLC ±0.20 | WEIGHT - | SCALE 1:1 | SHEET 2 OF 2 |
| | 4 PLC ± | CUSTOMER DRAWING | REV A | |
| | ANGLES ±2° | | | |
| MATERIAL | FINISH | | | |

X-ON Electronics

Largest Supplier of Electrical and Electronic Components

Click to view similar products for [I/O Connectors](#) category:

Click to view products by [TE Connectivity](#) manufacturer:

Other Similar products are found below :

[571763P](#) [58098-0628](#) [61-168618-12P](#) [D38999/20FJ29SB L/C](#) [72.250.1628.2](#) [72.250.2428.2](#) [74720-0505](#) [747680210](#) [76.350.0729.0](#) [76871-1403](#) [FCN-244F080-G/1](#) [FCN-260A9920](#) [FCN-268D024-G/2F#10X-R10](#) [MP-5T180MUNNA-005](#) [MP-5XRJ45UNNB-003](#) [PCS-E50FA](#) [PCS-XE26LKA](#) [PCS-XE26MA+](#) [PCS-XES68MS+](#) [G38A71314B](#) [91-569719-35R](#) [9776-18-6](#) [DX40-50P\(55\)](#) [1571250010](#) [157-22500-3](#) [MS3471L14-19P L/C](#) [171224-6031](#) [1888020-8](#) [91-569786-35H](#) [91-569786-35M](#) [91-644626-35P](#) [172501-4002](#) [172501-6002](#) [FCN-260C008-A/L0](#) [FCN-260C024-AL0](#) [FCN-268D008-G/1K](#) [2000314-1](#) [200331-1](#) [2007498-2](#) [PCR-E28LMDAG1+](#) [PCR-E36FC+](#) [PCS-E28FS+](#) [PCS-XE26SLFD+](#) [PCS-XE26SLFDT+](#) [G38A71214B](#) [HDRA-E68W1LFDTTC-SL+](#) [HDR-E14MSG1+](#) [R88A-CNK81S](#) [CRT1-ATT02](#) [54182-0605](#)