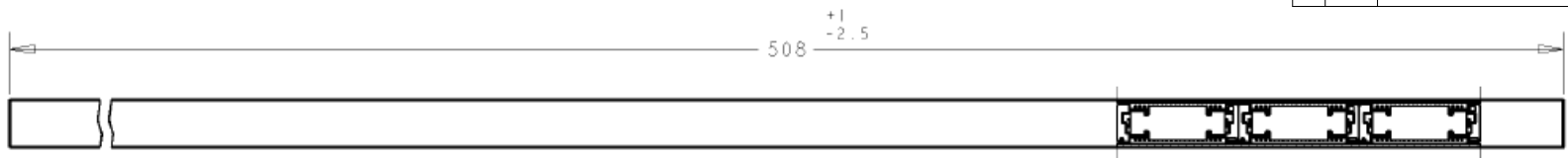


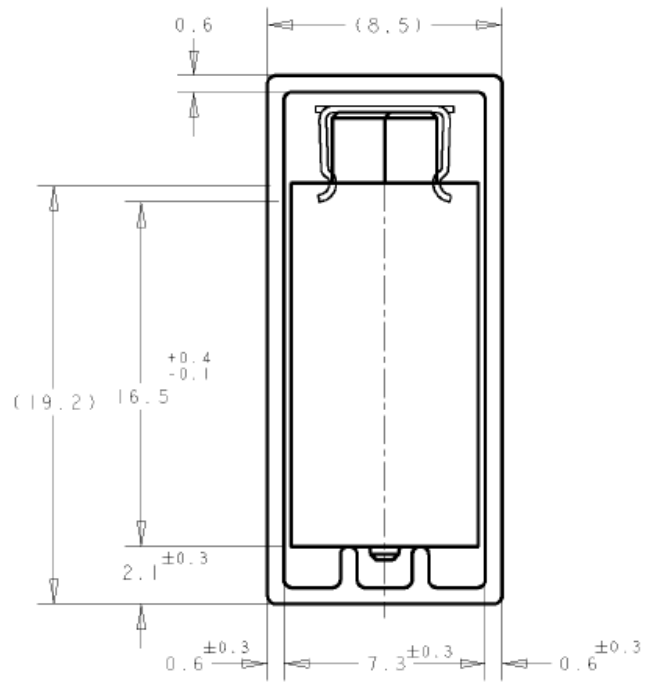
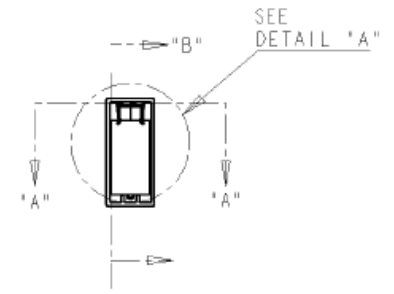
REVISIONS					
P	LTR	DESCRIPTION	DATE	DWN	APVD
A1		OBSOLETE 150POS(ECO-20-009897)	1MAR2021	A.L	H.L



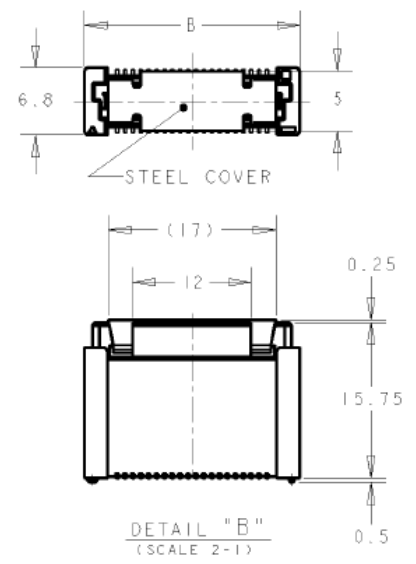
SECT "A"- "A"



SEE DETAIL "B" SECT "B"- "B"



DETAIL "A"
(SCALE 5-1)



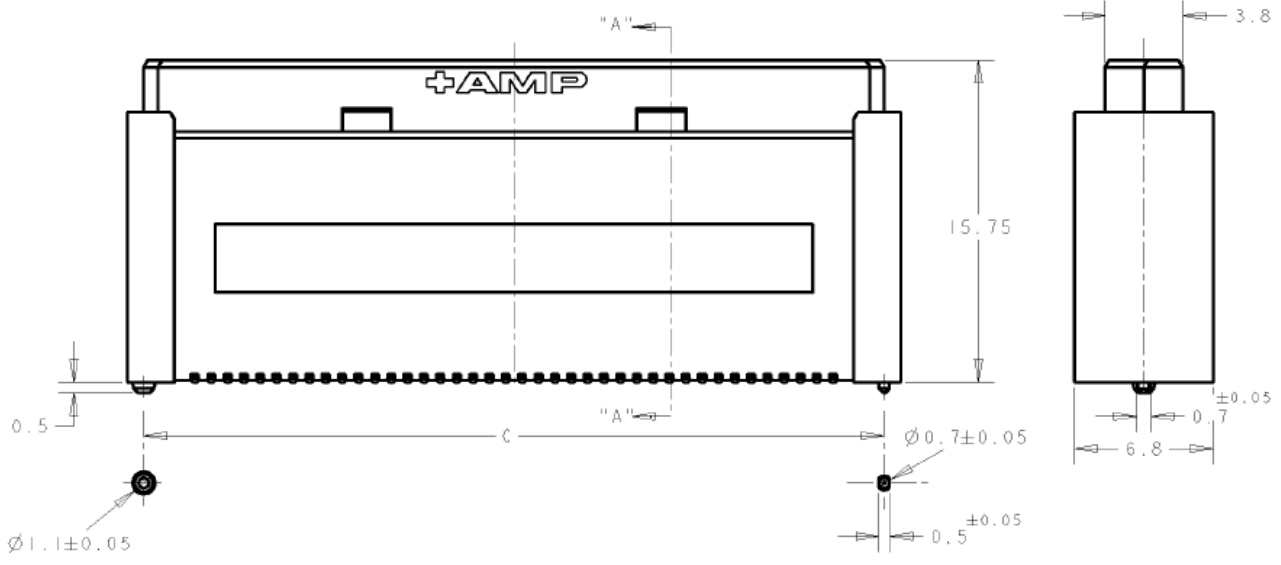
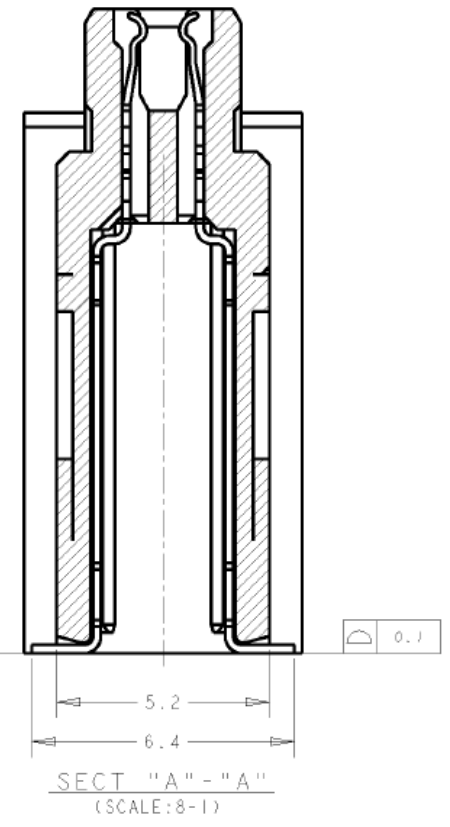
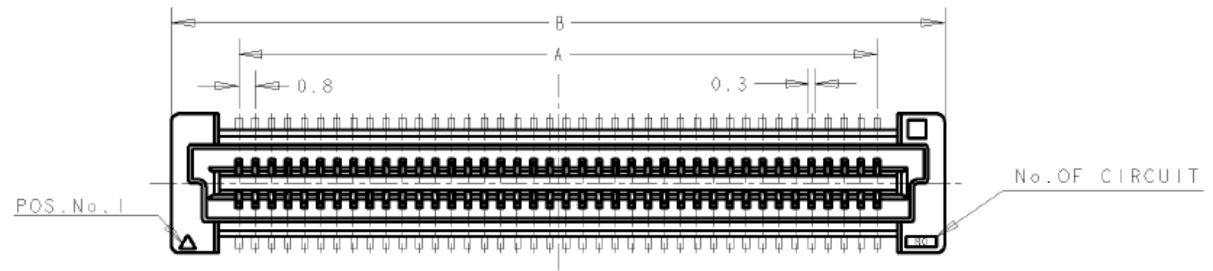
DETAIL "B"
(SCALE 2-1)

NOTES:

- 1 MATERIALS:
HOUSING: L.C.P (HIGH TEMP THERMO-PLASTIC)
UL 94V-0, NATURAL.
CONTACT: COPPER ALLOY.
- 2 FINISH:
ENGAGEMENT AREA: 0.0002 MIN GOLD
SOLDERING AREA: 0.002 MIN MATTE TIN
UNDERCOAT: 0.0013 MIN NICKEL ALL OVER
- 3 FINISH:
ENGAGEMENT AREA: 0.00076 MIN GOLD
SOLDERING AREA: 0.002 MIN MATTE TIN
UNDERCOAT: 0.0013 MIN NICKEL ALL OVER
4. POSITION SERIES; SEE P/N TABLE ON SHEET 3.
5. CONNECTOR MATED STACKED HEIGHT IS COMBINATION OF PLUG HEIGHT "Y" AND REC HEIGHT "X", LESS 5 mm.
STACKED HEIGHT = Y + X - 5
6. THIS DRAWING 1735481 DESCRIBES CONNECTORS P/N X-1735480-X WITH STEEL COVER IN TUBE PACKAGING.
CONNECTOR DIMENSIONS (ON SHEET 2) AND RECOMMENDED P.C. BOARD LAYOUT (ON SHEET 3) ARE REFERENCED FROM DRAWING NO. 1735480.

THIS DRAWING IS A CONTROLLED DOCUMENT.		DWN WYLEE	10JUL2007	TE Connectivity Ltd.	
		CHK YJ SEE			
DIMENSIONS: mm		TOLERANCES UNLESS OTHERWISE SPECIFIED:		RECEPTACLE 17MM HEIGHT FH 0.8MM PITCH B-T-B CONNECTOR WITH STEEL COVER, IN TUBE	
		0 PLC ± - 1 PLC ± 0.30 2 PLC ± 0.25 3 PLC ± 0.20 4 PLC ANGLES ± 3°			
MATERIAL		FINISH		SIZE	RESTRICTED TO
-1		2-3		A3 00779	-
		CUSTOMER DRAWING		CAGE CODE	DRAWING NO
				G=1735481	
				SCALE	SHEET
				4:1	1 OF 3
				REV	A1

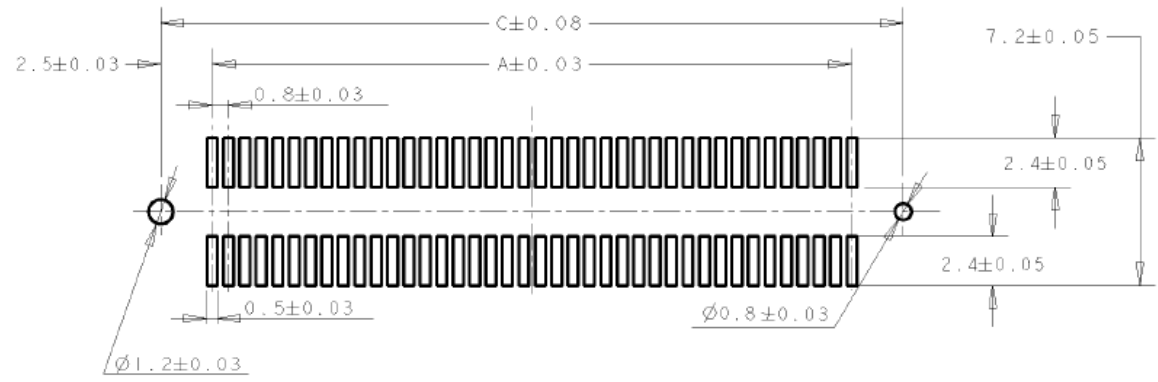
P	LTR	DESCRIPTION	DATE	DWN	APVD
-	-	SEE SHEET 1	-	-	-



CONNECTOR DIMENSIONS REFERENCED FROM DRAWING NO. 1735480.

THIS DRAWING IS A CONTROLLED DOCUMENT.		DWN WYLEE	10JUL2007	TE Connectivity Ltd.	
		CHK YJ SEE	-		
DIMENSIONS: mm		TOLERANCES UNLESS OTHERWISE SPECIFIED: 0 PLC ± - 1 PLC ± 0.30 2 PLC ± 0.25 3 PLC ± 0.20 4 PLC ± - ANGLES ± 3°		NAME SF LFONG	
		PRODUCT SPEC 108-5390		RECEPTACLE 17MM HEIGHT FH 0.8MM PITCH B-T-B CONNECTOR WITH STEEL COVER, IN TUBE	
MATERIAL		FINISH		APPLICATION SPEC 114-5254	RESTRICTED TO -
-		-		WEIGHT -	SIZE A3
CUSTOMER DRAWING				CAGE CODE 00779	DRAWING NO C=1735481
				SCALE 4:1	SHEET 2 OF 3
				REV A1	

REVISIONS					
P	LTR	DESCRIPTION	DATE	DWN	APVD
-	-	SEE SHEET 1	-	-	-



RECOMMENDED P.C. BOARD LAYOUT
(REFERENCED FROM DRAWING NO. 1735480.)

3 30 u" Au - Sn	5	84.20	85.8	79.20	8-1735480-0	200	3-1735481-0	
	6	76.20	77.8	71.20	7-1735480-9	180	2-1735481-9	
	6	68.20	69.8	63.20	7-1735480-8	160	2-1735481-8	
	7	64.20	65.8	59.20	7-1735480-7	150	2-1735481-7	
	7	60.20	61.8	55.20	7-1735480-6	140	2-1735481-6	
	9	52.20	53.8	47.20	7-1735480-5	120	2-1735481-5	
	10	44.20	45.8	39.20	7-1735480-4	100	2-1735481-4	
	12	36.20	37.8	31.20	7-1735480-3	80	2-1735481-3	
	16	28.20	29.8	23.20	7-1735480-2	60	2-1735481-2	
	22	20.20	21.8	15.20	7-1735480-1	40	2-1735481-1	
	2 08 u" Au - Sn	5	84.20	85.8	79.20	6-1735480-0	200	1-1735481-0
		6	76.20	77.8	71.20	5-1735480-9	180	1735481-9
		6	68.20	69.8	63.20	5-1735480-8	160	1735481-8
		7	64.20	65.8	59.20	5-1735480-7	150	1735481-7
		7	60.20	61.8	55.20	5-1735480-6	140	1735481-6
		9	52.20	53.8	47.20	5-1735480-5	120	1735481-5
10		44.20	45.8	39.20	5-1735480-4	100	1735481-4	
12		36.20	37.8	31.20	5-1735480-3	80	1735481-3	
16		28.20	29.8	23.20	5-1735480-2	60	1735481-2	
22		20.20	21.8	15.20	5-1735480-1	40	1735481-1	

CONTACT FINISH	QTY/TUBE	C	B	A	CONN. P/N	POS.	PART NO.
30 u" Au - Sn							
08 u" Au - Sn							

THIS DRAWING IS A CONTROLLED DOCUMENT.

DIMENSIONS: mm	TOLERANCES UNLESS OTHERWISE SPECIFIED:
	0 PLC ± -
	1 PLC ± 0.30
	2 PLC ± 0.25
	3 PLC ± 0.20
	4 PLC ± -
	ANGLES ± 3'
MATERIAL	FINISH
-	-

DWN	10JUL2007
CHK	WYLEE
YJ	SEE
APVD	-
SF	LFONG
PRODUCT SPEC	108-5390
APPLICATION SPEC	114-5254
WEIGHT	-
CUSTOMER DRAWING	



RECEPTACLE 17MM HEIGHT FH 0.8MM PITCH B-T-B CONNECTOR WITH STEEL COVER, IN TUBE			
SIZE	CAGE CODE	DRAWING NO	RESTRICTED TO
A3	00779	G=1735481	-
SCALE 4:1		SHEET 3 OF 3	REV A1

X-ON Electronics

Largest Supplier of Electrical and Electronic Components

Click to view similar products for [Board to Board & Mezzanine Connectors](#) category:

Click to view products by [TE Connectivity](#) manufacturer:

Other Similar products are found below :

[589158040000018](#) [MDF7C-18P-2.54DSA\(55\)](#) [FCN-230C068-11](#) [FCN-268F012-G/BD](#) [FCN-268F036-G/BD](#) [FCN-268M012-G/0D](#) [FCN-268M024-G/1D](#) [FCN-723J004/1](#) [MIS-048-01-F-D-DP-K](#) [832-10-034-10-001000](#) [FX4C-80S-1.27DSA](#) [FCN-214Q030-G/0](#) [FCN-234P048-G/0](#) [FCN-235D050-G/C](#) [210-93-314-41-105000](#) [2-22603-0](#) [MDF7-40DP-2.54DSA\(55\)](#) [AXG720047](#) [5031084030](#) [MIT-114-03-F-D-K](#) [55323-1519](#) [DF33-2P-3.3DSA\(24\)](#) [YFT-20-05-H-03-SB-K](#) [503308-3040](#) [026-6203-PDB](#) [027-6203-PDB](#) [069159702701000](#) [10123981-102LF](#) [101A10019X](#) [55650-0588-C](#) [68684-306](#) [75140-7012](#) [589159005003045](#) [194261-1](#) [FCN-268F024-G0D](#) [10124054-515LF](#) [68685-603](#) [8-1616154-3](#) [MIS-019-01-F-D](#) [589159005002045](#) [541371078](#) [IL-WX-10PB-HF-B-E1000E](#) [FCN-268M024-G/3D](#) [20021832-06016C1LF](#) [KX15-20KLDL-E1000E](#) [MDF7-16DP-2.54DSA\(55\)](#) [AXE810124](#) [FCN-214J100-G/0](#) [FCN-230C068-E/S](#) [AXE812124](#)