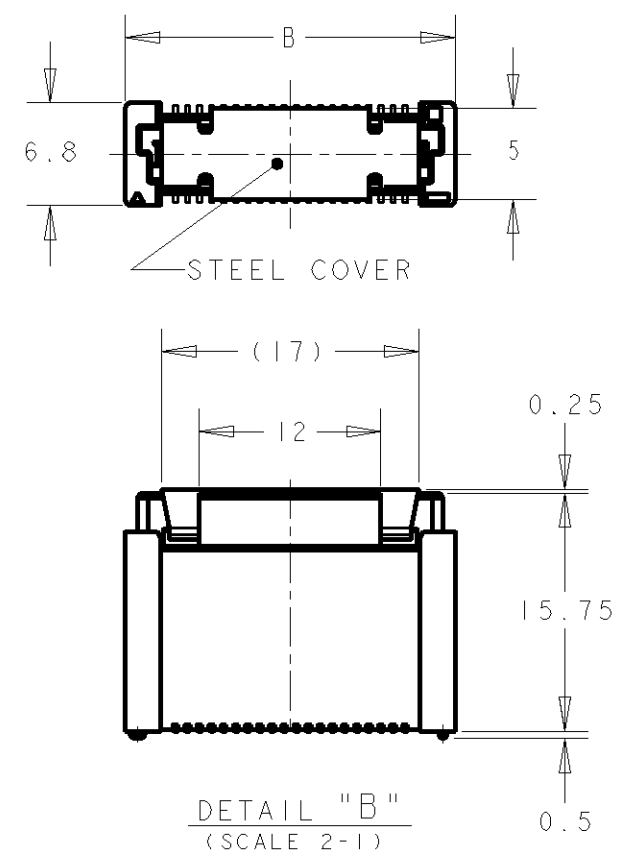
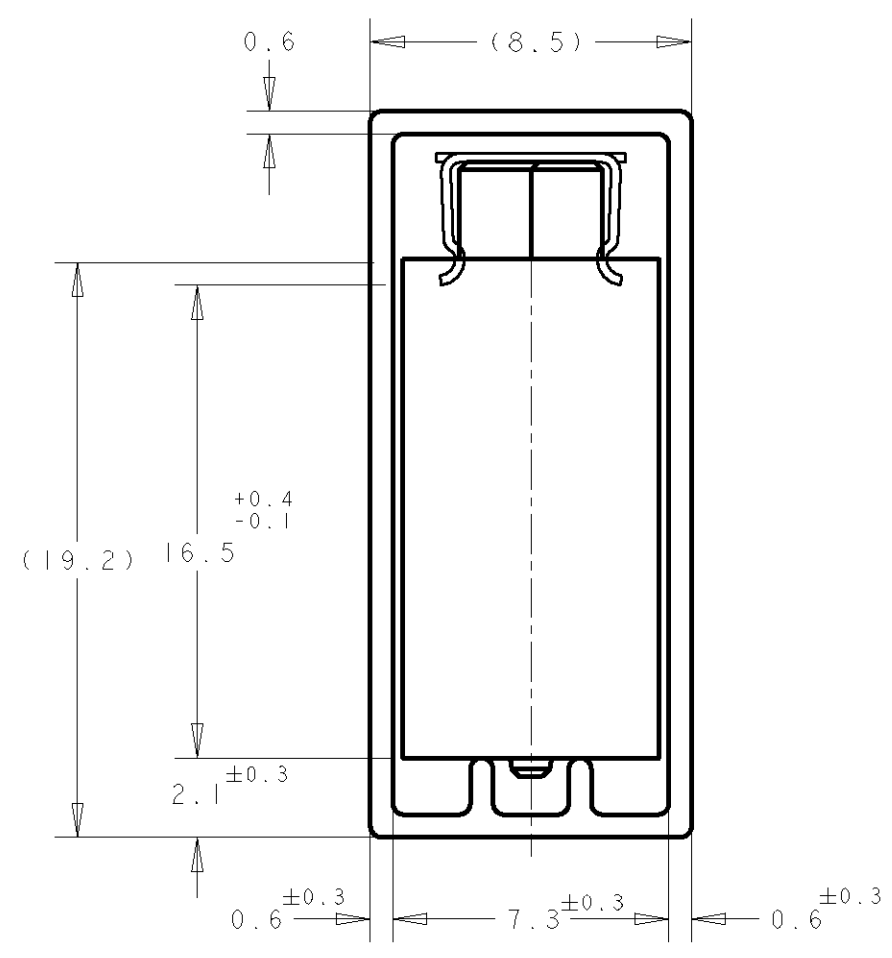
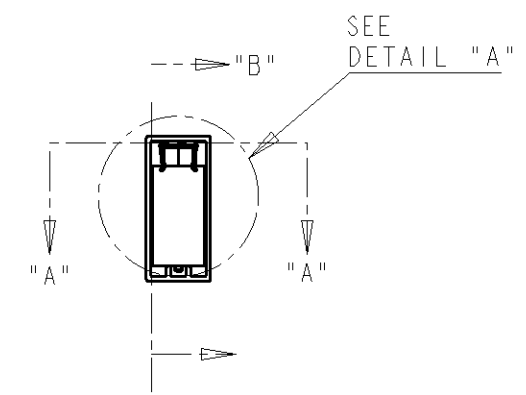
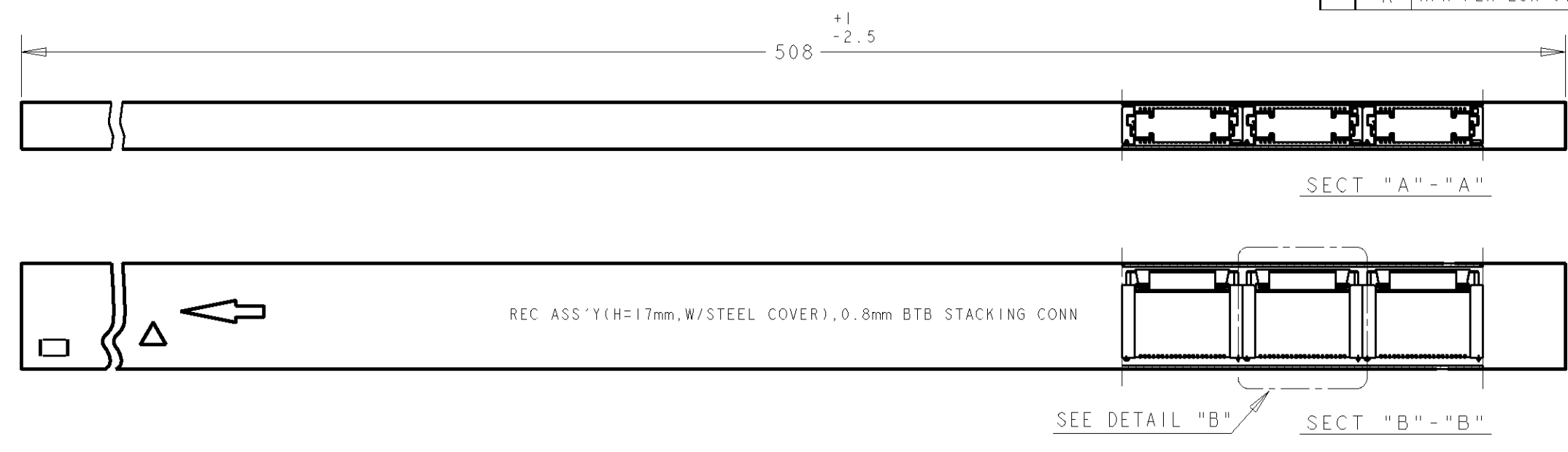


THIS DRAWING IS UNPUBLISHED. RELEASED FOR PUBLICATION .19  
 © COPYRIGHT 19 BY AMP INCORPORATED. ALL RIGHTS RESERVED.

LOC	DIST	REVISIONS					
DY	-	P	LTR	DESCRIPTION	DATE	DWN	APVD
		A		NPR PER ECR-07-016156	03SEP07	SYJ	LSF



- NOTES:
- MATERIALS:  
HOUSING: L.C.P (HIGH TEMP THERMO-PLASTIC)  
UL 94V-0, NATURAL.  
CONTACT: COPPER ALLOY.
  - FINISH:  
ENGAGEMENT AREA: 0.0002 MIN GOLD  
SOLDERING AREA: 0.002 MIN MATTE TIN  
UNDERCOAT: 0.0013 MIN NICKEL ALL OVER
  - FINISH:  
ENGAGEMENT AREA: 0.00076 MIN GOLD  
SOLDERING AREA: 0.002 MIN MATTE TIN  
UNDERCOAT: 0.0013 MIN NICKEL ALL OVER
  - POSITION SERIES; SEE P/N TABLE ON SHEET 3.
  - CONNECTOR MATED STACKED HEIGHT IS COMBINATION OF PLUG HEIGHT "Y" AND REC HEIGHT "X", LESS 5 mm.  
STACKED HEIGHT = Y + X - 5
  - THIS DRAWING 1735481 DESCRIBES CONNECTORS P/N X-1735480-X WITH STEEL COVER IN TUBE PACKAGING. CONNECTOR DIMENSIONS (ON SHEET 2) AND RECOMMENDED P.C. BOARD LAYOUT (ON SHEET 3) ARE REFERENCED FROM DRAWING NO. 1735480.

DETAIL "A"  
(SCALE 5-1)

DETAIL "B"  
(SCALE 2-1)

THIS DRAWING IS A CONTROLLED DOCUMENT FOR AMP INCORPORATED. IT IS SUBJECT TO CHANGE AND THE CONTROLLING ENGINEERING ORGANIZATION SHOULD BE CONTACTED FOR THE LATEST REVISION.		DWN WYLEE	10JUL07	Tyco Electronics Corporation Singapore	
DIMENSIONS: mm		CHK YJ SEE	APVD SF FONG	NAME RECEPTACLE 17mm HEIGHT FH 0.8mm PITCH B-T-B CONNECTOR WITH STEEL COVER, IN TUBE	
TOLERANCES UNLESS OTHERWISE SPECIFIED: 0 PLC ± 1 PLC ±0.30 2 PLC ±0.25 3 PLC ±0.20 4 PLC ± ANGLES ±3°		PRODUCT SPEC 108-5390	APPLICATION SPEC 114-5254	SIZE A3	CAGE CODE 00779
MATERIAL 1	FINISH 2 3	WEIGHT -	DRAWING NO. 1735481		
CUSTOMER DRAWING			SCALE 1:1	SHEET 1	OF 3 REV A

4

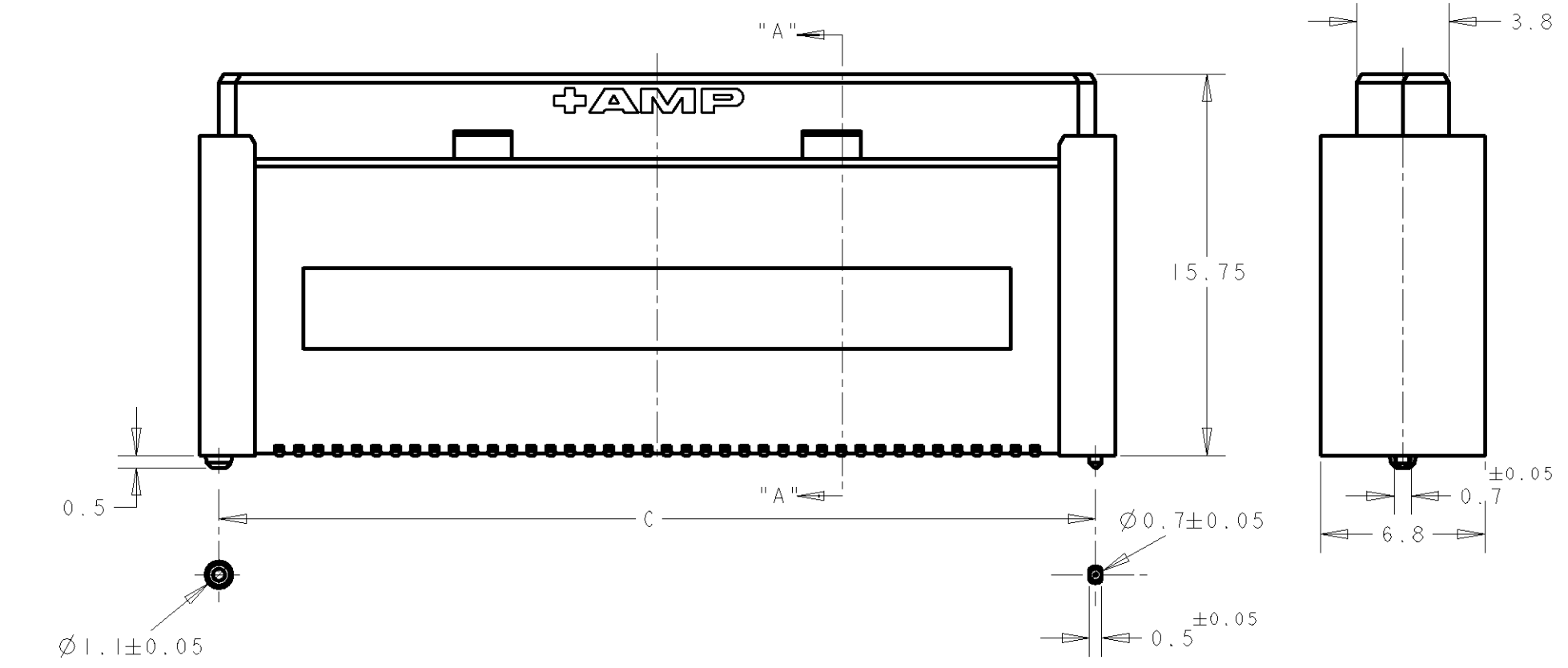
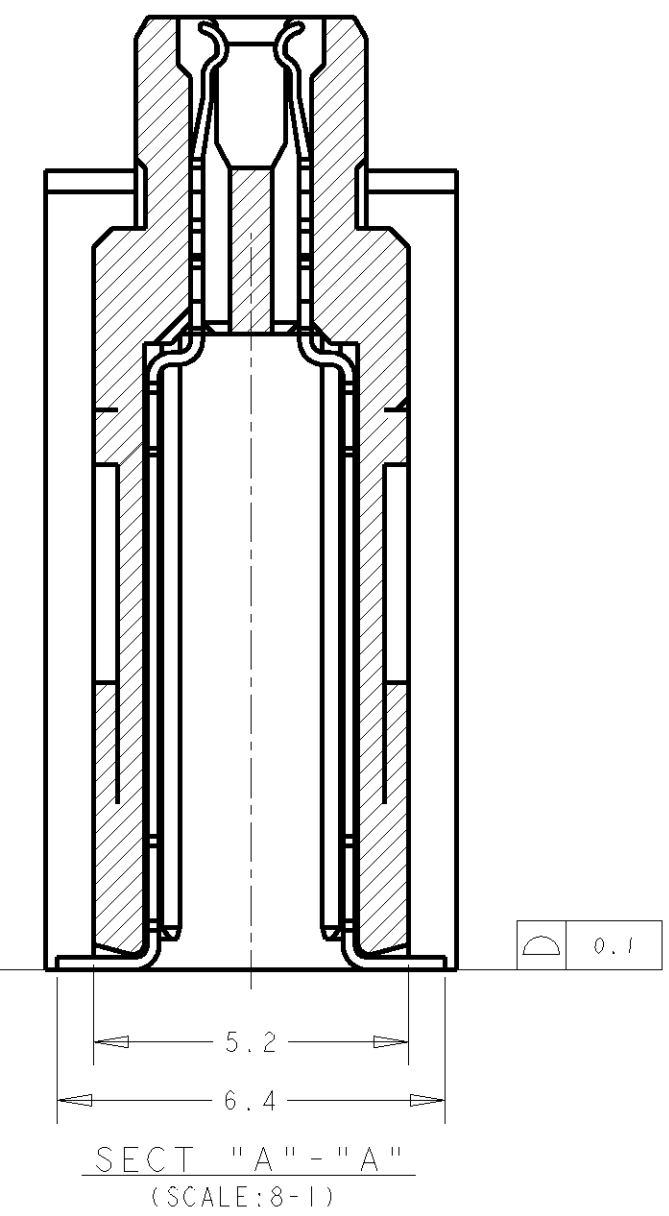
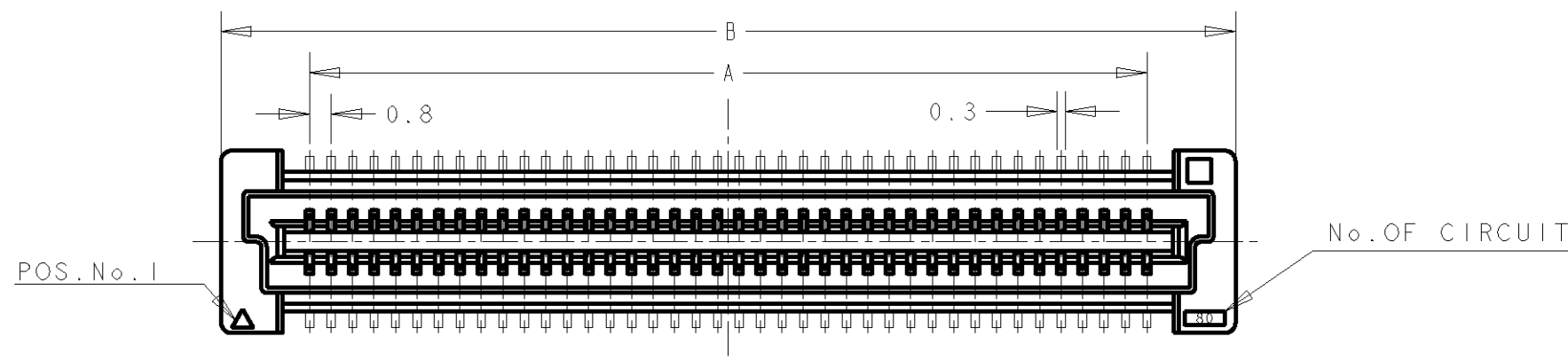
3

2

1

THIS DRAWING IS UNPUBLISHED. RELEASED FOR PUBLICATION .19  
 © COPYRIGHT 19 BY AMP INCORPORATED. ALL RIGHTS RESERVED.

LOC	DIST	REVISIONS					
		P	LTR	DESCRIPTION	DATE	DWN	APVD
DY	-						

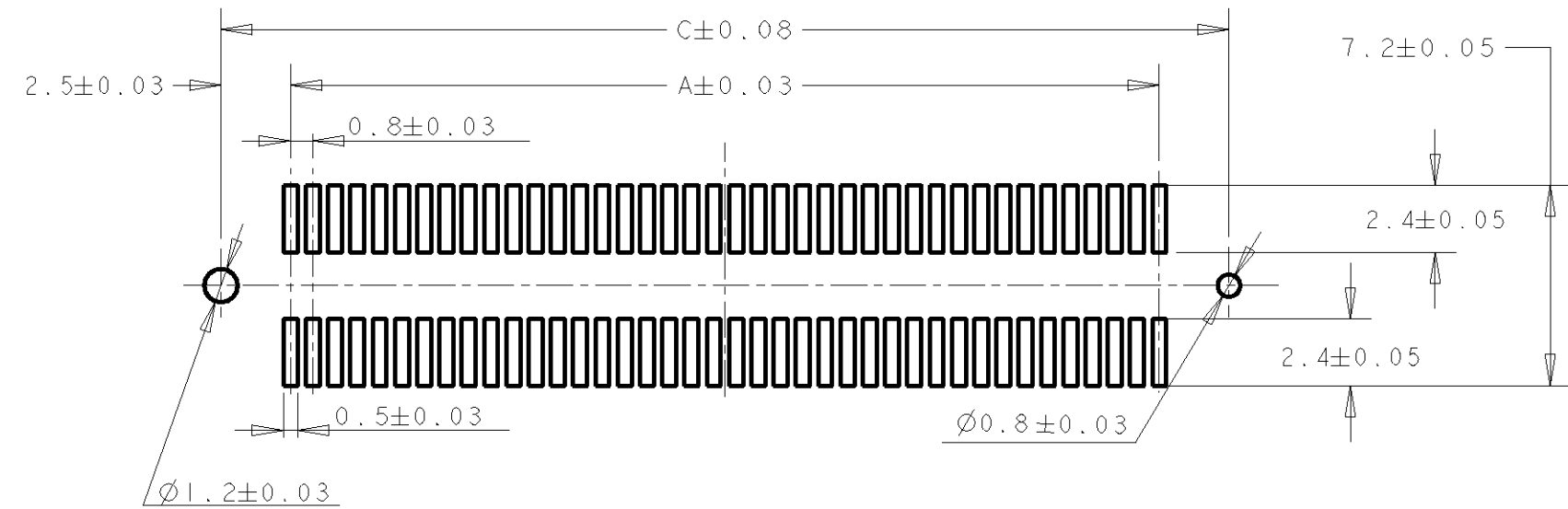


CONNECTOR DIMENSIONS REFERENCED FROM DRAWING NO. 1735480.

<small>THIS DRAWING IS A CONTROLLED DOCUMENT FOR AMP INCORPORATED. IT IS SUBJECT TO CHANGE AND THE CONTROLLING ENGINEERING ORGANIZATION SHOULD BE CONTACTED FOR THE LATEST REVISION.</small>		DWN WYLEE 10JUL2007	Tyco Electronics Corporation Singapore	
DIMENSIONS: mm		CHK YJ SEE	NAME RECEPTACLE 17mm HEIGHT FH 0.8mm PITCH B-T-B CONNECTOR WITH STEEL COVER, IN TUBE	
		APVD SF IFONG	PRODUCT SPEC SEE SHEET 1	SIZE A3
TOLERANCES UNLESS OTHERWISE SPECIFIED: 0 PLC ± 1 PLC ±0.30 2 PLC ±0.25 3 PLC ±0.20 4 PLC ± ANGLES ±3°		APPLICATION SPEC SEE SHEET 1	CAGE CODE 00779	DRAWING NO. 1735481
MATERIAL -	FINISH -	WEIGHT -	SCALE 4:1	SHEET 2 OF 3
CUSTOMER DRAWING			REV A	

THIS DRAWING IS UNPUBLISHED. RELEASED FOR PUBLICATION .19 .  
 © COPYRIGHT 19 BY AMP INCORPORATED. ALL RIGHTS RESERVED.

LOC	DIST	REVISIONS					
		P	LTR	DESCRIPTION	DATE	DWN	APVD
DY	-						



RECOMMENDED P.C. BOARD LAYOUT  
 (REFERENCED FROM DRAWING NO. 1735480.)

CONTACT FINISH	QTY/TUBE	C	B	A	CONN. P/N	POS.	PART NO.
30 u"Au - Sn 3	5	84.20	85.8	79.20	8-1735480-0	200	3-1735481-0
	6	76.20	77.8	71.20	7-1735480-9	180	2-1735481-9
	6	68.20	69.8	63.20	7-1735480-8	160	2-1735481-8
	7	64.20	65.8	59.20	7-1735480-7	150	2-1735481-7
	7	60.20	61.8	55.20	7-1735480-6	140	2-1735481-6
	9	52.20	53.8	47.20	7-1735480-5	120	2-1735481-5
	10	44.20	45.8	39.20	7-1735480-4	100	2-1735481-4
	12	36.20	37.8	31.20	7-1735480-3	80	2-1735481-3
	16	28.20	29.8	23.20	7-1735480-2	60	2-1735481-2
	22	20.20	21.8	15.20	7-1735480-1	40	2-1735481-1
08 u"Au - Sn 2	5	84.20	85.8	79.20	6-1735480-0	200	1-1735481-0
	6	76.20	77.8	71.20	5-1735480-9	180	1735481-9
	6	68.20	69.8	63.20	5-1735480-8	160	1735481-8
	7	64.20	65.8	59.20	5-1735480-7	150	1735481-7
	7	60.20	61.8	55.20	5-1735480-6	140	1735481-6
	9	52.20	53.8	47.20	5-1735480-5	120	1735481-5
	10	44.20	45.8	39.20	5-1735480-4	100	1735481-4
	12	36.20	37.8	31.20	5-1735480-3	80	1735481-3
	16	28.20	29.8	23.20	5-1735480-2	60	1735481-2
	22	20.20	21.8	15.20	5-1735480-1	40	1735481-1

<small>THIS DRAWING IS A CONTROLLED DOCUMENT FOR AMP INCORPORATED. IT IS SUBJECT TO CHANGE AND THE CONTROLLING ENGINEERING ORGANIZATION SHOULD BE CONTACTED FOR THE LATEST REVISION.</small>		DWN 10JUL2007 WYLEE CHK YJ SEE APVD SF J FONG PRODUCT SPEC SEE SHEET 1 APPLICATION SPEC SEE SHEET 1 WEIGHT -	<b>Tyco Electronics</b> Tyco Electronics Corporation Singapore NAME RECEPTACLE 17mm HEIGHT FH 0.8mm PITCH B-T-B CONNECTOR WITH STEEL COVER, IN TUBE SIZE A3 CAGE CODE 00779 DRAWING NO. C-1735481
DIMENSIONS: mm 	TOLERANCES UNLESS OTHERWISE SPECIFIED: 0 PLC ±- 1 PLC ±0.30 2 PLC ±0.25 3 PLC ±0.20 4 PLC ±- ANGLES ±3°	MATERIAL - FINISH - CUSTOMER DRAWING	SCALE 4:1 SHEET 3 OF 3 REV A

## X-ON Electronics

Largest Supplier of Electrical and Electronic Components

*Click to view similar products for [Board to Board & Mezzanine Connectors](#) category:*

*Click to view products by [TE Connectivity](#) manufacturer:*

Other Similar products are found below :

[10135583-642402LF](#) [89885-310LF](#) [589158040000018](#) [6-1393048-0](#) [68683-613](#) [MDF7-12DP-2.54DSA](#) [MDF7-18P-2.54DSA\(01\)](#) [MDF7-20DP-2.54DSA](#) [MDF7-26D-2.54DSA\(55\)](#) [MDF7-3P-2.54DSA\(01\)](#) [MDF7B-20P-2.54DSA\(01\)](#) [MDF7B-3P-2.54DSA\(55\)](#) [MDF7C-18P-2.54DSA\(55\)](#) [MDF7P-5P-2.54DSA\(55\)](#) [75234-0516](#) [FCN-230C068-11](#) [FCN-268F012-G/BD](#) [FCN-268F036-G/BD](#) [FCN-268M012-G/0D](#) [FCN-268M024-G/1D](#) [FCN-360C008-C](#) [FCN-723J004/1](#) [MIS-048-01-F-D-DP-K](#) [832-10-034-10-001000](#) [93696-325LF](#) [11828-1FA](#) [AXK630345P](#) [18097-0013](#) [2007042-2](#) [304400-2](#) [FCN-214Q030-G/0](#) [FCN-215Q040-G/0](#) [FCN-230C068-ESA](#) [FCN-234P048-G/0](#) [FCN-235D050-G/C](#) [FCN-360A3](#) [FCN-360C040-B](#) [210-93-314-41-105000](#) [2-22603-0](#) [379-064-521-202](#) [MDF7-12P-2.54DSA\(01\)](#) [MDF7-16P-2.54DS\(56\)](#) [MDF7-16P-2.54DSA\(55\)](#) [MDF7-40DP-2.54DSA\(55\)](#) [MDF7-8P-2.54DSA\(55\)](#) [AXG720047](#) [5031084030](#) [55323-1519](#) [DF33-2P-3.3DSA\(24\)](#) [DF33-2S-3.3C](#)