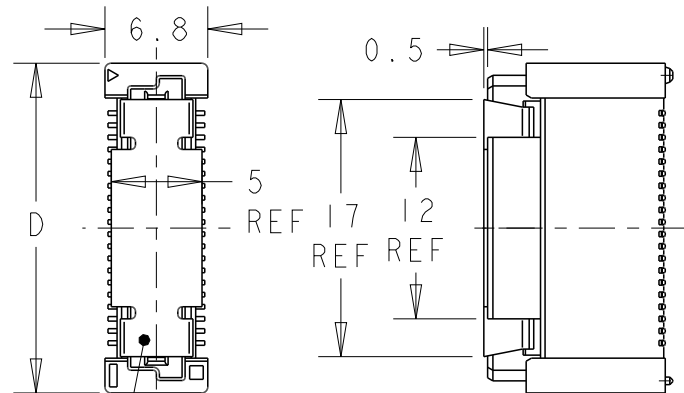
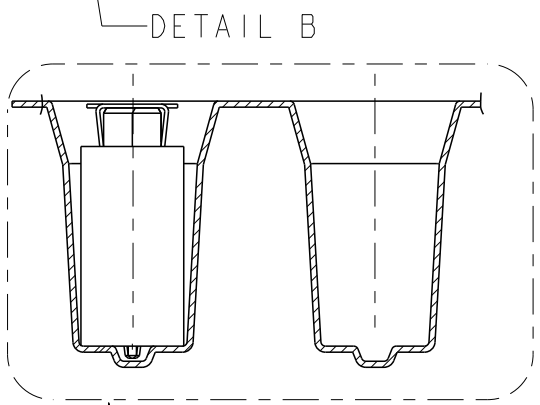
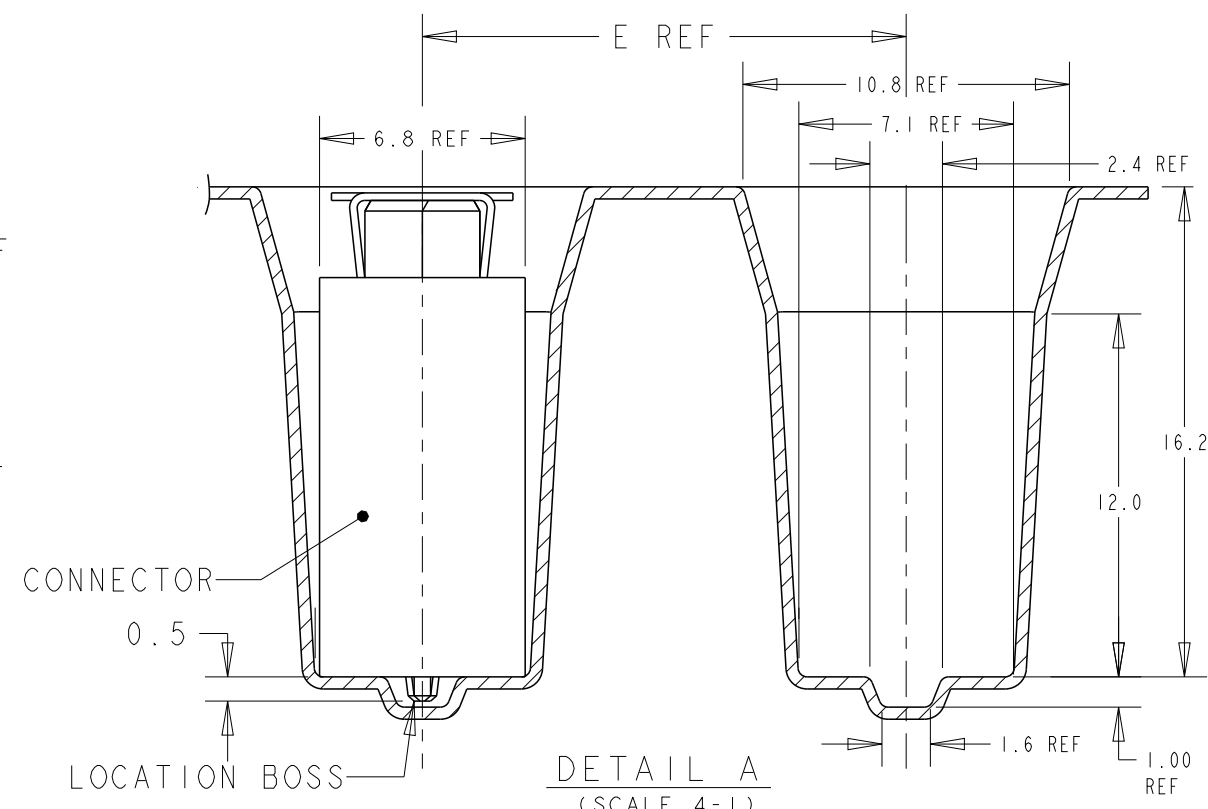
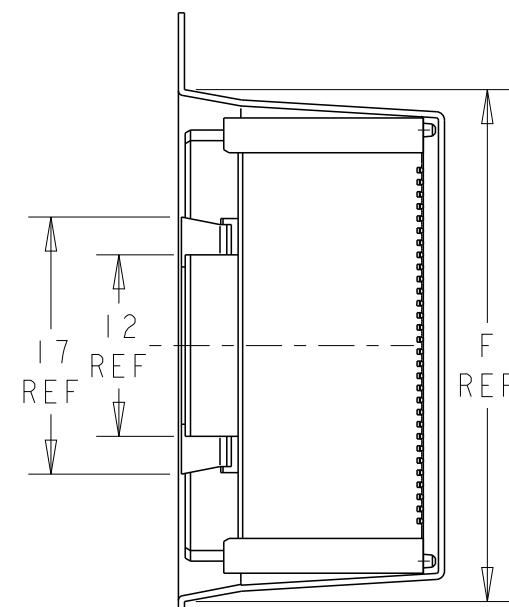
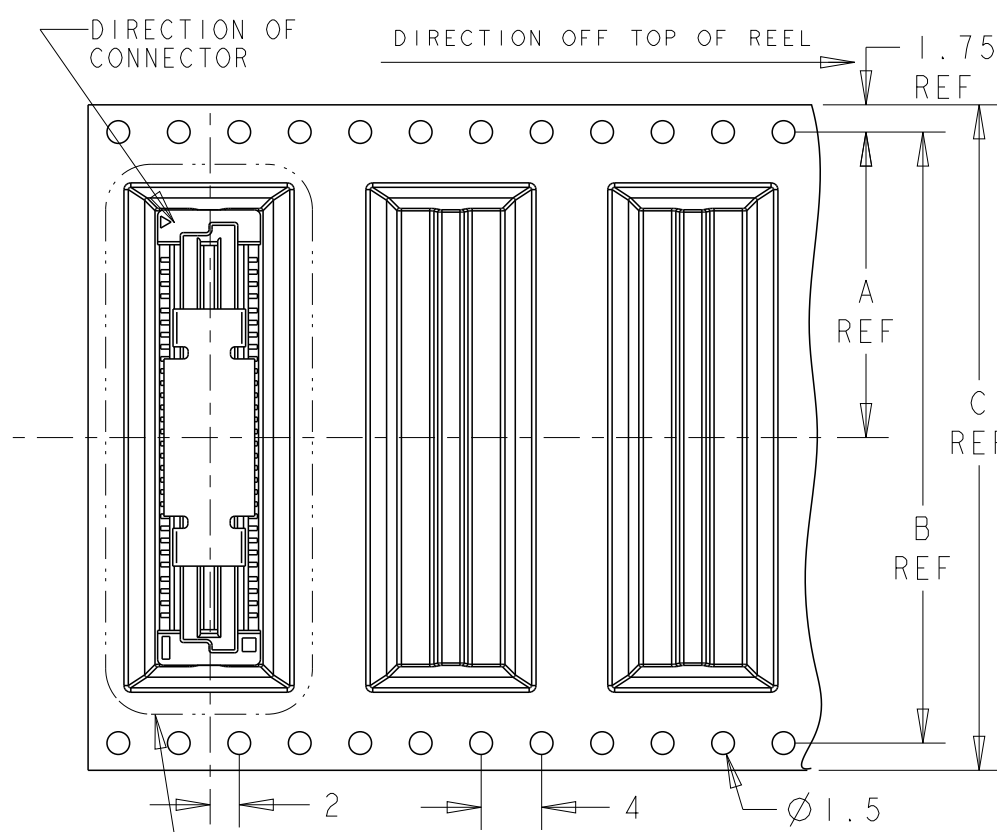


THIS DRAWING IS UNPUBLISHED. RELEASED FOR PUBLICATION 20
 © COPYRIGHT 20 BY - ALL RIGHTS RESERVED.

LOC	DIST	REVISIONS				
P	LTR	DESCRIPTION	DATE	DWN	APVD	
DY	-	A4	OBSOLETE 150POS (ECO-20-009897)	01MAR2021	A.L	H.L

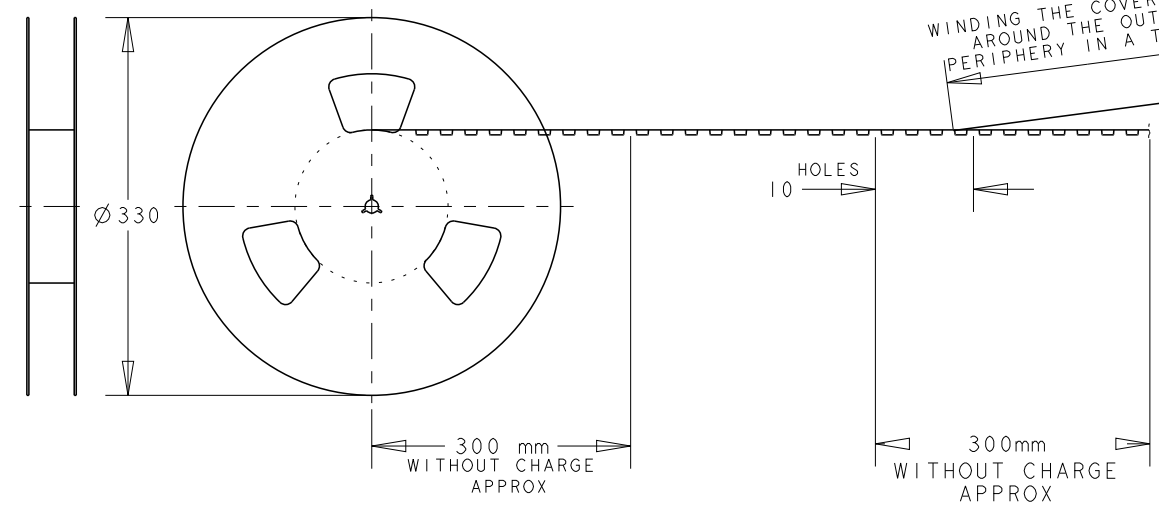


STEEL COVER

NOTES:

- MATERIALS:
HOUSING: L.C.P (HIGH TEMP THERMO PLASTIC) UL 94V-0, NATURAL.
CONTACT: COPPER ALLOY.
- FINISH:
ENGAGEMENT AREA: 0.0002 MIN GOLD
SOLDERING AREA: 0.002 MIN MATTE TIN
UNDERCOAT: 0.0013 MIN NICKEL ALL OVER
- FINISH:
ENGAGEMENT AREA: 0.00076 MIN GOLD
SOLDERING AREA: 0.002 MIN MATTE TIN
UNDERCOAT: 0.0013 MIN NICKEL ALL OVER
- POSITION SERIES:
SEE P/N TABLE ON SHEET 3.
- CONNECTOR MATED STACKED HEIGHT IS COMBINATION OF PLUG HEIGHT "Y" AND REC HEIGHT "X", LESS 5 mm.
STACKED HEIGHT = Y + X - 5
- THIS DRAWING 1735481 DESCRIBES CONNECTORS P/N X-1735480-X WITH STEEL COVER IN EMBOSS TAPE PACKAGING.
CONNECTOR DIMENSIONS (ON SHEET 2) AND RECOMMENDED P.C. BOARD LAYOUT (ON SHEET 3) ARE REFERENCED FROM DRAWING 1735480.

WINDING THE COVER TAPE AROUND THE OUTER PERIPHERY IN A TURN.



THIS DRAWING IS A CONTROLLED DOCUMENT.		DWN RITA LIANG 01NOV17	TE Connectivity	
DIMENSIONS: mm		CHK SHOAL ALEX 23NOV17		
TOLERANCES UNLESS OTHERWISE SPECIFIED:		APVD HOPE LU 23NOV17	NAME	
0 PLC ±-	1 PLC ±0.30	PRODUCT SPEC 108-5390	RECEPTACLE 17mm HEIGHT FH 0.8mm B-T-B CONNECTOR WITH STEEL COVER, ON EMBOSS TAPE	
2 PLC ±0.25	3 PLC ±0.20	APPLICATION SPEC 114-5254	SIZE A3	CAGE CODE 00779
4 PLC ±-	ANGLES ±3°	WEIGHT -	DRAWING NO C-1735482	RESTRICTED TO
MATERIAL	FINISH SEE P/N TABLE	CUSTOMER DRAWING	SCALE 2:1	SHEET 1 OF 3

THIS DRAWING IS UNPUBLISHED.

RELEASED FOR PUBLICATION

20

© COPYRIGHT 20 BY -

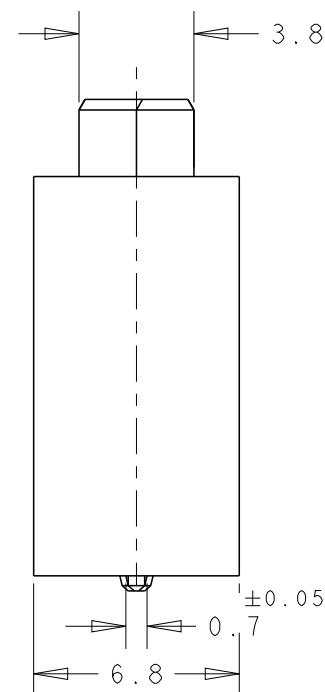
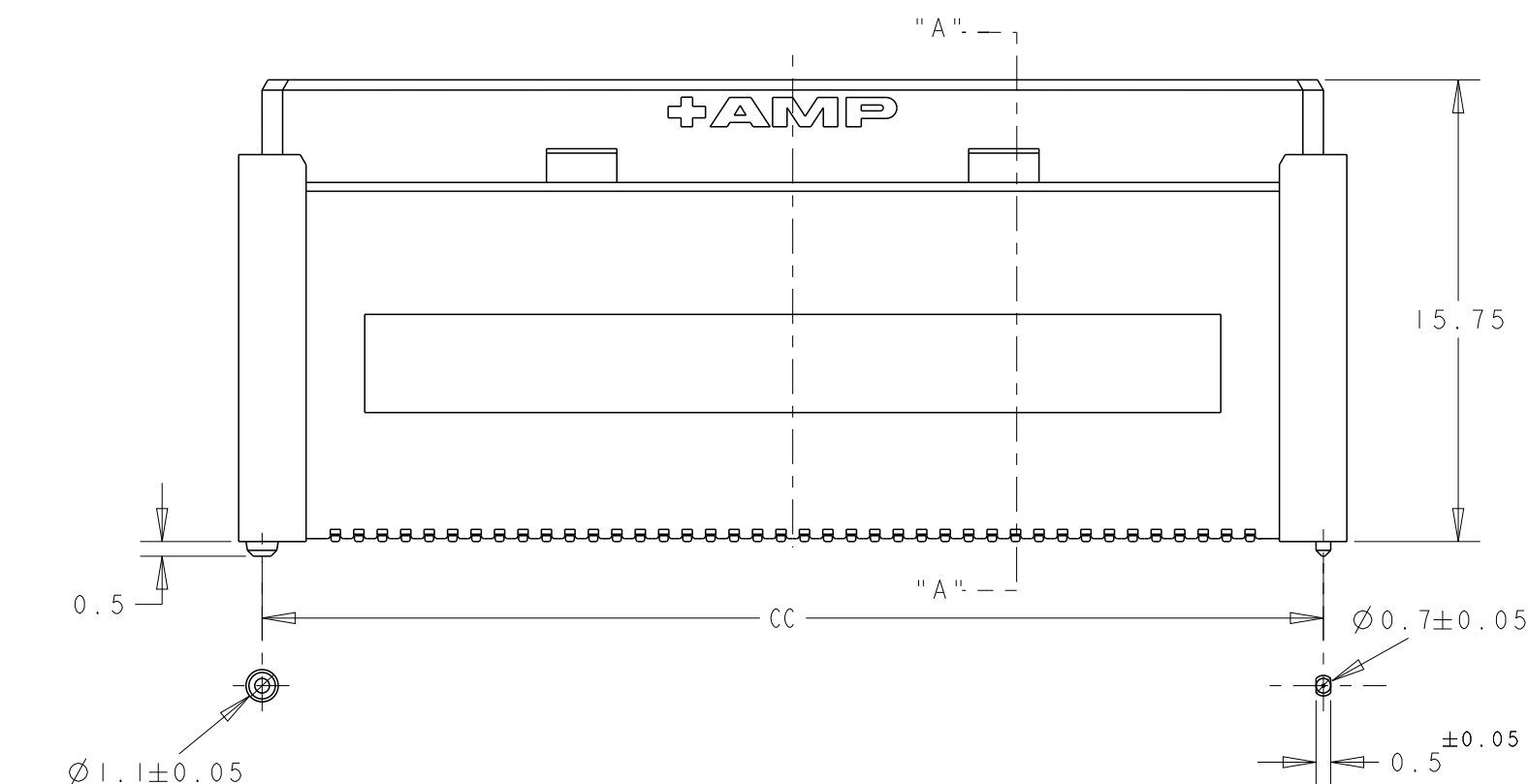
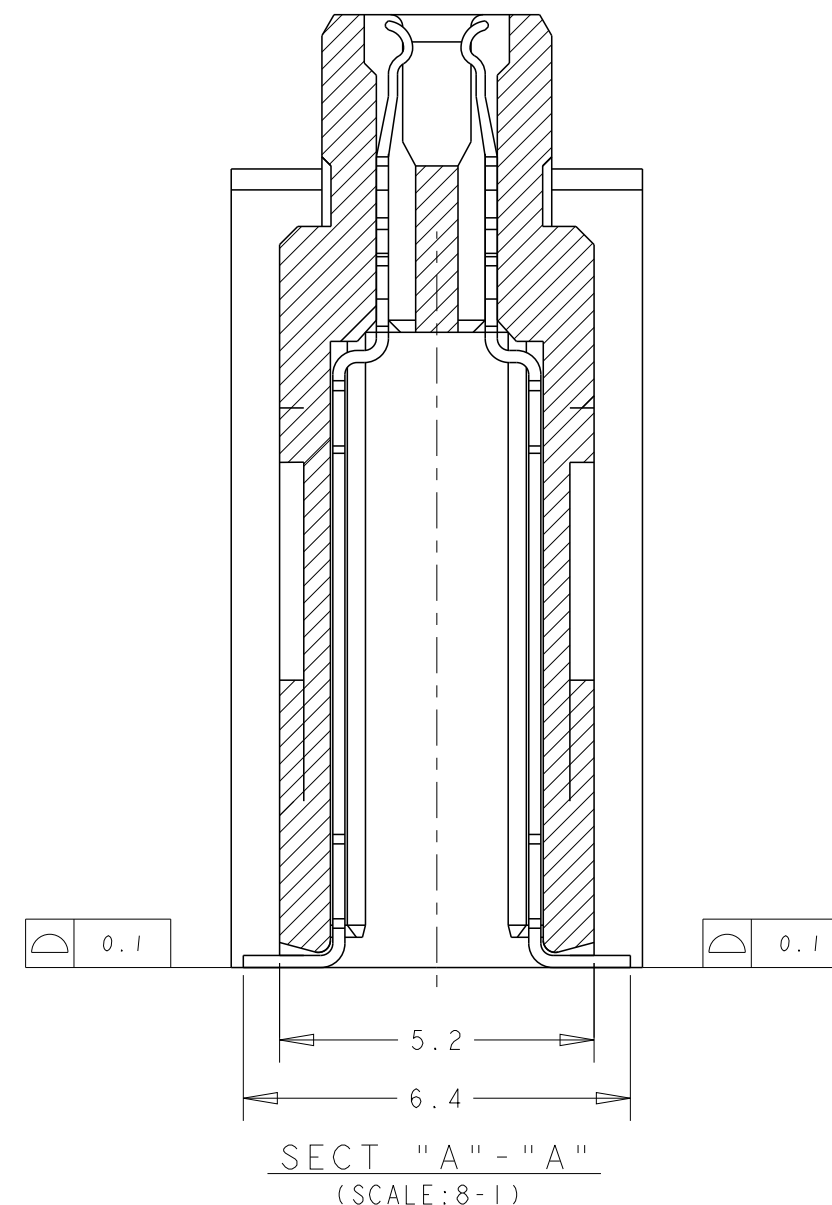
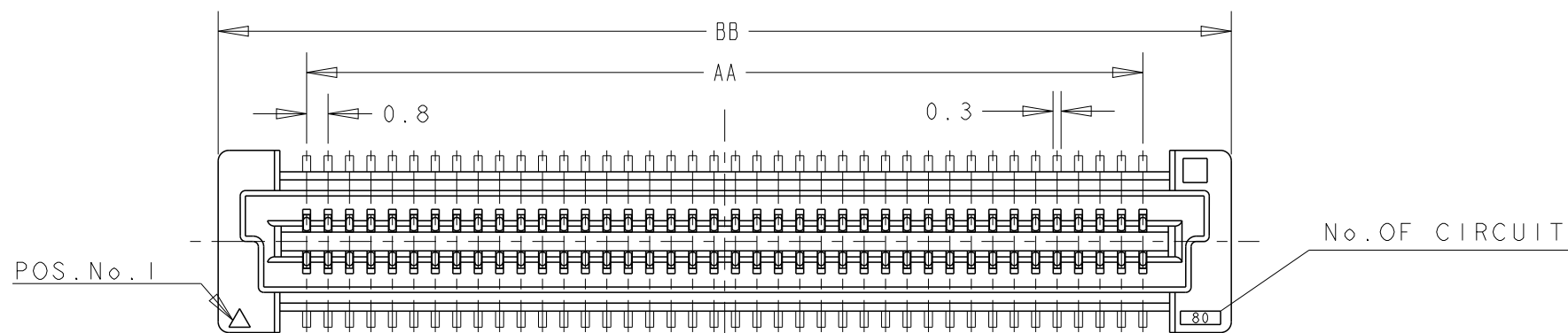
ALL RIGHTS RESERVED.

LOC
DY


DIST
-

REVISIONS

P	LTR	DESCRIPTION	DATE	DWN	APVD
-	-	SEE SHEET 1	-	-	-

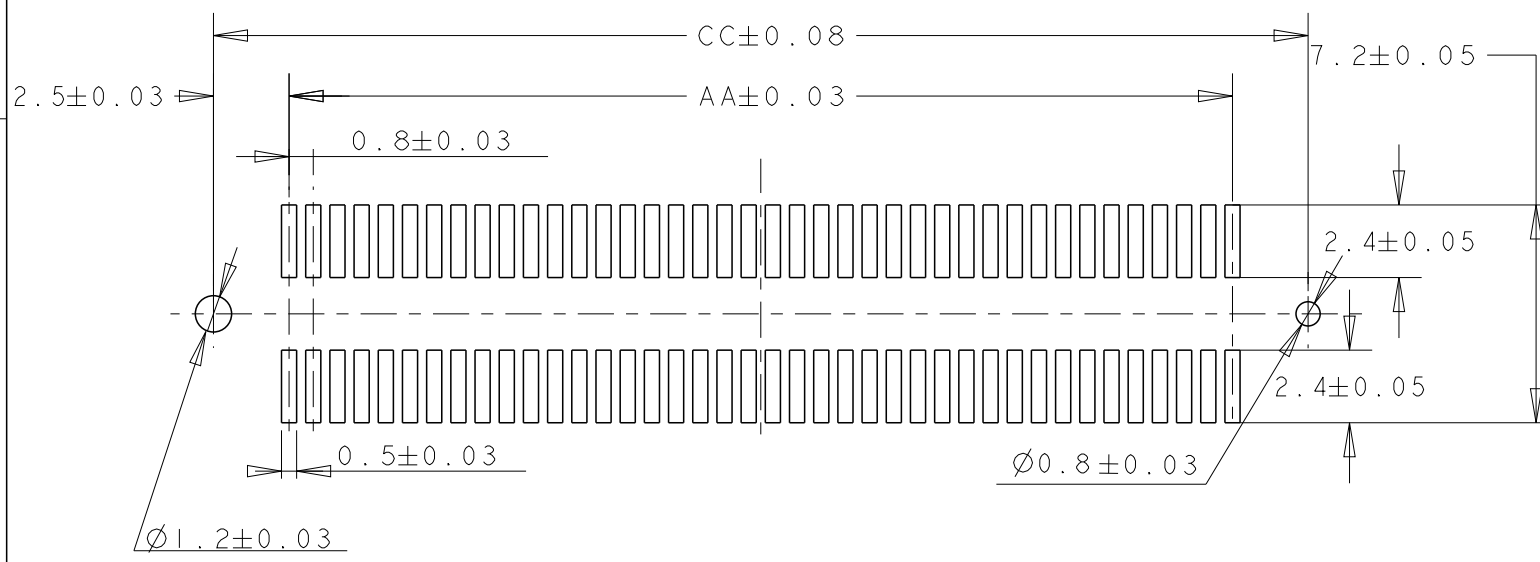


CONNECTOR DIMENSIONS REFERENCED FROM DRAWING NO. 1735480.

THIS DRAWING IS A CONTROLLED DOCUMENT.		DWN RITA LIANG 01NOV17	 TE Connectivity	
DIMENSIONS: mm		CHK SHOAL ALEX 23NOV17		
TOLERANCES UNLESS OTHERWISE SPECIFIED:		APVD HOPE LU 23NOV17	NAME RECEPTACLE 17mm HEIGHT FH 0.8mm B-T-B CONNECTOR WITH STEEL COVER, ON EMBOSS TAPE	
0 PLC ± 1 PLC ±0.30 2 PLC ±0.25 3 PLC ±0.20 4 PLC ± ANGLES ±3°		PRODUCT SPEC 108-5390	SIZE A3	
MATERIAL		APPLICATION SPEC 114-5254	CAGE CODE 00779	DRAWING NO 1735482
FINISH SEE P/N TABLE		WEIGHT -	RESTRICTED TO	
		CUSTOMER DRAWING	SCALE 2:1	SHEET 2 OF 3
			REV A4	

THIS DRAWING IS UNPUBLISHED. RELEASED FOR PUBLICATION 20
 © COPYRIGHT 20 BY - ALL RIGHTS RESERVED.

LOC	DIST	REVISIONS					
DY	-	P	LTR	DESCRIPTION	DATE	DWN	APVD
		-		SEE SHEET 1	-	-	-



RECOMMENDED P.C. BOARD LAYOUT
 (REFERENCED FROM DRAWING NO. 1735480.)

NOTES:

- △7 FINISH: GOLD FLASH
- ENGAGEMENT AREA: 0.002 MIN MATTE TIN
- SOLDERING AREA: 0.0013 MIN NICKEL
- UNDERCOAT: ALL OVER

△7 Gold flash - Sn	100	84.20	SAME AS DIM D	79.20	94.0	20	85.8	120	116.4	58.2	200	4-1735482-0		
	100	76.20		71.20	86.0	20	77.8	104	100.4	50.2	180	3-1735482-9		
	100	68.20		63.20	73.8	20	69.8	88	84.4	42.2	160	3-1735482-8		
	100	64.20		59.20	69.8	20	65.8	88	84.4	42.2	150	3-1735482-7		
	100	60.20		55.20	65.8	20	61.8	88	84.4	42.2	140	3-1735482-6		
	100	52.20		47.20	57.8	20	53.8	72	68.4	34.2	120	3-1735482-5		
	100	44.20		39.20	49.8	20	45.8	72	68.4	34.2	100	3-1735482-4		
	100	36.20		31.20	41.8	20	37.8	56	52.4	26.2	80	3-1735482-3		
	100	28.20		23.20	33.8	20	29.8	44	40.4	20.2	60	3-1735482-2		
	100	20.20		15.20	25.8	20	21.8	44	40.4	20.2	40	3-1735482-1		
	△3 30 u" Au - Sn	100		84.20	SAME AS DIM D	79.20	94.0	20	85.8	120	116.4	58.2	200	3-1735482-0
		100		76.20		71.20	86.0	20	77.8	104	100.4	50.2	180	2-1735482-9
100		68.20	63.20	73.8		20	69.8	88	84.4	42.2	160	2-1735482-8		
100		64.20	59.20	69.8		20	65.8	88	84.4	42.2	150	2-1735482-7		
100		60.20	55.20	65.8		20	61.8	88	84.4	42.2	140	2-1735482-6		
100		52.20	47.20	57.8		20	53.8	72	68.4	34.2	120	2-1735482-5		
100		44.20	39.20	49.8		20	45.8	72	68.4	34.2	100	2-1735482-4		
100		36.20	31.20	41.8		20	37.8	56	52.4	26.2	80	2-1735482-3		
100		28.20	23.20	33.8		20	29.8	44	40.4	20.2	60	2-1735482-2		
100		20.20	15.20	25.8		20	21.8	44	40.4	20.2	40	2-1735482-1		
△2 08 u" Au - Sn		100	84.20	SAME AS DIM D		79.20	94.0	20	85.8	120	116.4	58.2	200	1-1735482-0
		100	76.20			71.20	86.0	20	77.8	104	100.4	50.2	180	1735482-9
	100	68.20	63.20		73.8	20	69.8	88	84.4	42.2	160	1735482-8		
	100	64.20	59.20		69.8	20	65.8	88	84.4	42.2	150	1735482-7		
	100	60.20	55.20		65.8	20	61.8	88	84.4	42.2	140	1735482-6		
	100	52.20	47.20		57.8	20	53.8	72	68.4	34.2	120	1735482-5		
	100	44.20	39.20		49.8	20	45.8	72	68.4	34.2	100	1735482-4		
	100	36.20	31.20		41.8	20	37.8	56	52.4	26.2	80	1735482-3		
	100	28.20	23.20		33.8	20	29.8	44	40.4	20.2	60	1735482-2		
	100	20.20	15.20		25.8	20	21.8	44	40.4	20.2	40	1735482-1		
	CONTACT FINISH	QTY	CC		BB	AA	F	E	D	C	B	A	POS	SALEABLE PART NO.

THIS DRAWING IS A CONTROLLED DOCUMENT.		DWN RITA LIANG 01NOV17	TE Connectivity RECEPTACLE 17mm HEIGHT FH 0.8mm B-T-B CONNECTOR WITH STEEL COVER, ON EMBOSS TAPE	
DIMENSIONS: mm		CHK SHOAL ALEX 06NOV17		
TOLERANCES UNLESS OTHERWISE SPECIFIED:		APVD HOPE LU 06NOV17		
0 PLC ± 1 PLC ±0.30 2 PLC ±0.25 3 PLC ±0.20 4 PLC ± ANGLES ±3°		PRODUCT SPEC 108-5390		
MATERIAL		APPLICATION SPEC 114-5254	NAME	RESTRICTED TO
FINISH SEE P/N TABLE		WEIGHT -	SIZE CAGE CODE DRAWING NO A300779 C-1735482	
CUSTOMER DRAWING			SCALE 2:1	SHEET 3 OF 3

X-ON Electronics

Largest Supplier of Electrical and Electronic Components

Click to view similar products for [Board to Board & Mezzanine Connectors](#) category:

Click to view products by [TE Connectivity](#) manufacturer:

Other Similar products are found below :

[589158040000018](#) [MDF7C-18P-2.54DSA\(55\)](#) [FCN-230C068-11](#) [FCN-268F012-G/BD](#) [FCN-268F036-G/BD](#) [FCN-268M012-G/0D](#) [FCN-268M024-G/1D](#) [FCN-723J004/1](#) [MIS-048-01-F-D-DP-K](#) [832-10-034-10-001000](#) [FX4C-80S-1.27DSA](#) [FCN-214Q030-G/0](#) [FCN-234P048-G/0](#) [FCN-235D050-G/C](#) [210-93-314-41-105000](#) [2-22603-0](#) [MDF7-40DP-2.54DSA\(55\)](#) [AXG720047](#) [5031084030](#) [MIT-114-03-F-D-K](#) [55323-1519](#) [DF33-2P-3.3DSA\(24\)](#) [YFT-20-05-H-03-SB-K](#) [503308-3040](#) [026-6203-PDB](#) [027-6203-PDB](#) [069159702701000](#) [10123981-102LF](#) [101A10019X](#) [55650-0588-C](#) [68684-306](#) [75140-7012](#) [589159005003045](#) [194261-1](#) [FCN-268F024-G0D](#) [10124054-515LF](#) [68685-603](#) [8-1616154-3](#) [MIS-019-01-F-D](#) [589159005002045](#) [541371078](#) [IL-WX-10PB-HF-B-E1000E](#) [FCN-268M024-G/3D](#) [20021832-06016C1LF](#) [KX15-20KLDL-E1000E](#) [MDF7-16DP-2.54DSA\(55\)](#) [AXE810124](#) [FCN-214J100-G/0](#) [FCN-230C068-E/S](#) [AXE812124](#)