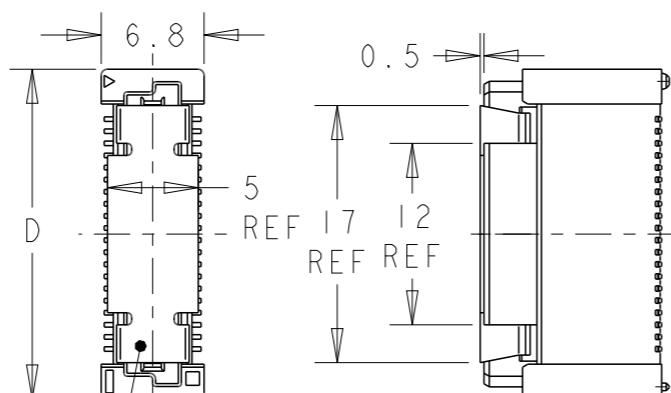
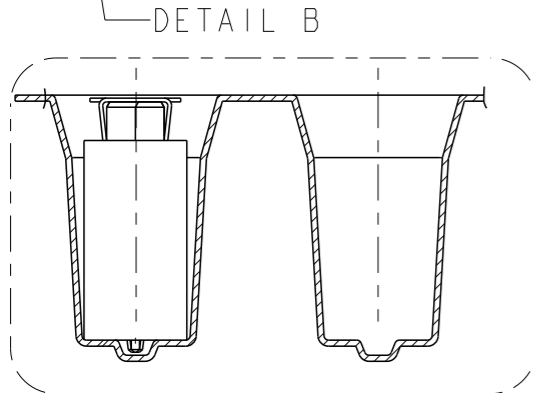
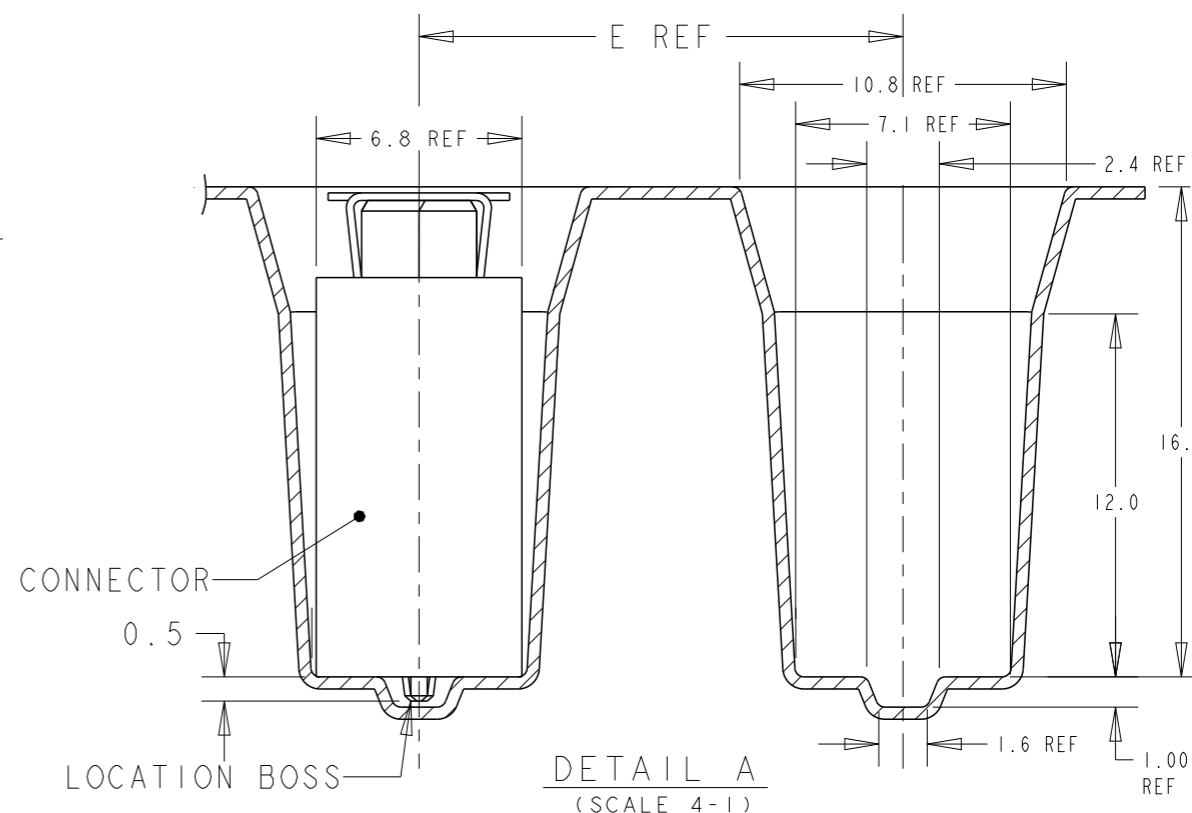
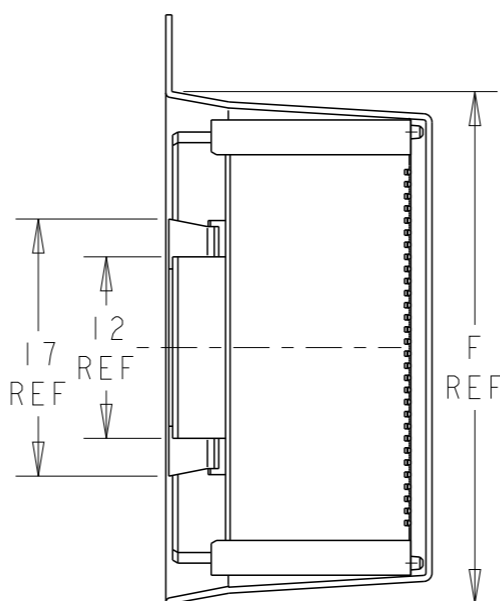
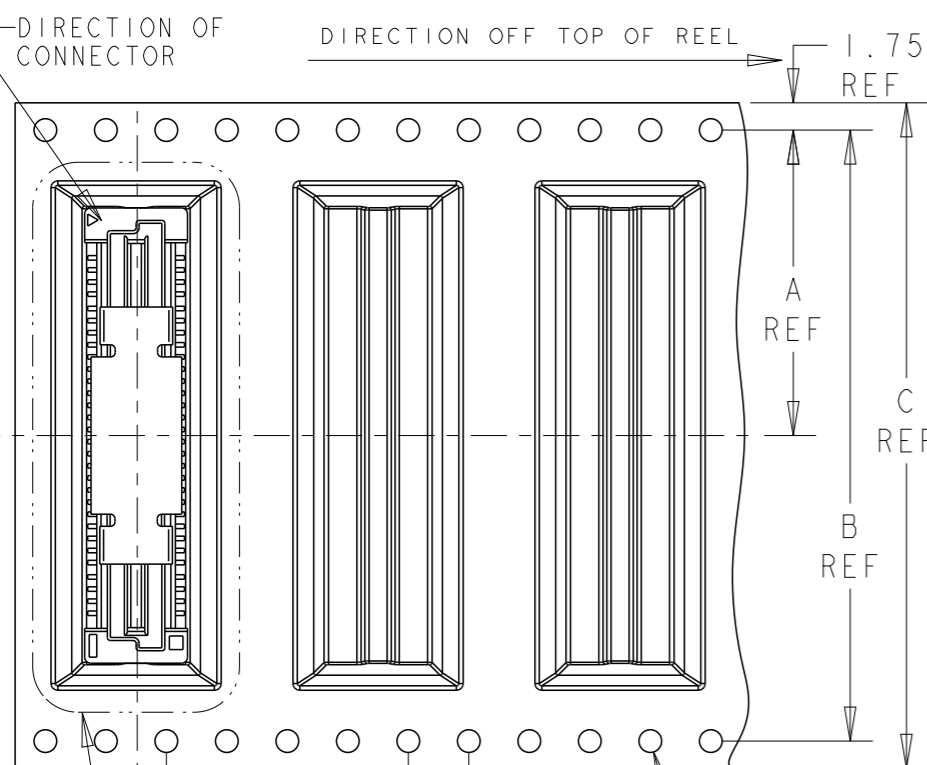


LOC
DY

DIST
-

REVISIONS

| P | LTR | DESCRIPTION | DATE | DWN | APVD |
|---|-----|----------------------------------|-----------|-----|------|
| | A4 | OBSOLETE 150POS (ECO-20-009897) | 01MAR2021 | A.L | H.L |



STEEL COVER

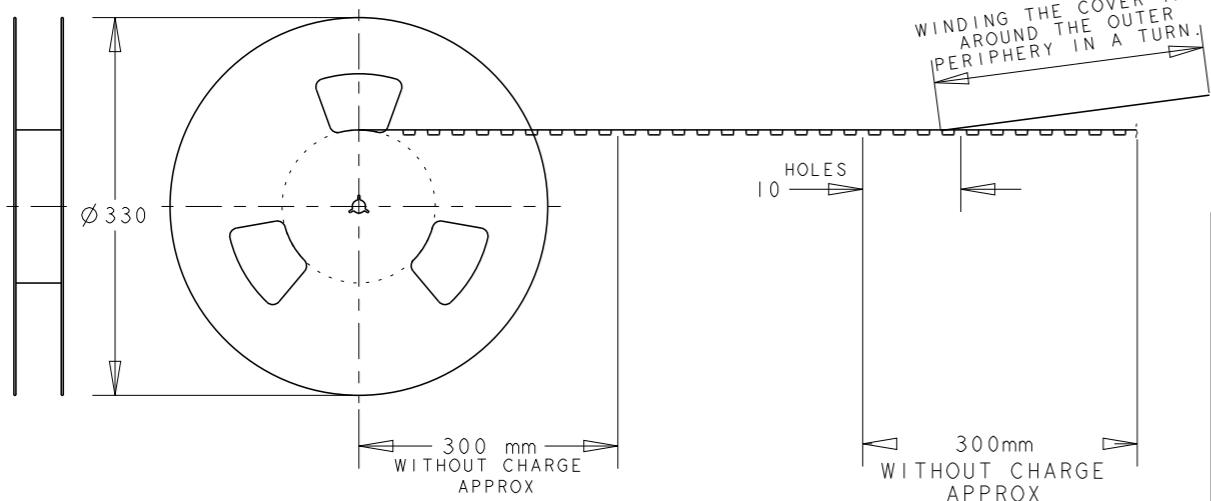
NOTES:

- 1 MATERIALS:
HOUSING: L.C.P (HIGH TEMP THERMO PLASTIC) UL 94V-0, NATURAL.
CONTACT: COPPER ALLOY.
- 2 FINISH:
ENGAGEMENT AREA: 0.0002 MIN GOLD
SOLDERING AREA: 0.002 MIN MATTE TIN
UNDERCOAT: 0.0013 MIN NICKEL ALL OVER
- 3 FINISH:
ENGAGEMENT AREA: 0.00076 MIN GOLD
SOLDERING AREA: 0.002 MIN MATTE TIN
UNDERCOAT: 0.0013 MIN NICKEL ALL OVER
- 4. POSITION SERIES:
SEE P/N TABLE ON SHEET 3.

5. CONNECTOR MATED STACKED HEIGHT IS COMBINATION OF PLUG HEIGHT "Y" AND REC HEIGHT "X", LESS 5 mm.
STACKED HEIGHT = Y + X - 5

6. THIS DRAWING 1735481 DESCRIBES CONNECTORS P/N X-1735480-X WITH STEEL COVER IN EMBOSS TAPE PACKAGING.

CONNECTOR DIMENSIONS (ON SHEET 2) AND RECOMMENDED P.C. BOARD LAYOUT (ON SHEET 3) ARE REFERENCED FROM DRAWING 1735480.



THIS DRAWING IS A CONTROLLED DOCUMENT.

| | |
|-------------------|---|
| DIMENSIONS: mm | TOLERANCES UNLESS OTHERWISE SPECIFIED: 0 PLC ± 1 PLC ±0.30 2 PLC ±0.25 3 PLC ±0.20 4 PLC ± ANGLES ±3° |
| MATERIAL | FINISH SEE P/N TABLE |

| | | |
|------------------|------------|---------|
| DWN | RITA LIANG | 01NOV17 |
| CHK | SHOAL ALEX | 23NOV17 |
| APVD | HOPE LU | 23NOV17 |
| PRODUCT SPEC | 108-5390 | |
| APPLICATION SPEC | 114-5254 | |
| WEIGHT | - | |

| | | | |
|-----------------|-----------|--|---------------|
| TE Connectivity | | NAME | |
| | | RECEPTACLE 17mm HEIGHT FH 0.8mm B-T-B CONNECTOR WITH STEEL COVER, ON EMBOSS TAPE | |
| SIZE | CAGE CODE | DRAWING NO | RESTRICTED TO |
| A3 | 00779 | C-1735482 | |

CUSTOMER DRAWING SCALE 2:1 SHEET 1 OF 3 REV A4

THIS DRAWING IS UNPUBLISHED.

RELEASED FOR PUBLICATION

20

© COPYRIGHT 20 BY -

ALL RIGHTS RESERVED.

LOC

DIST

REVISIONS

DY

-

P

LTR

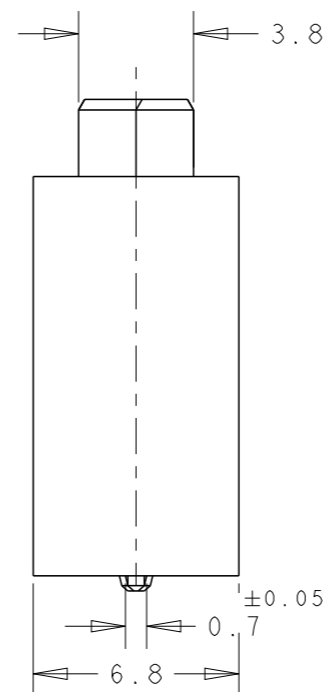
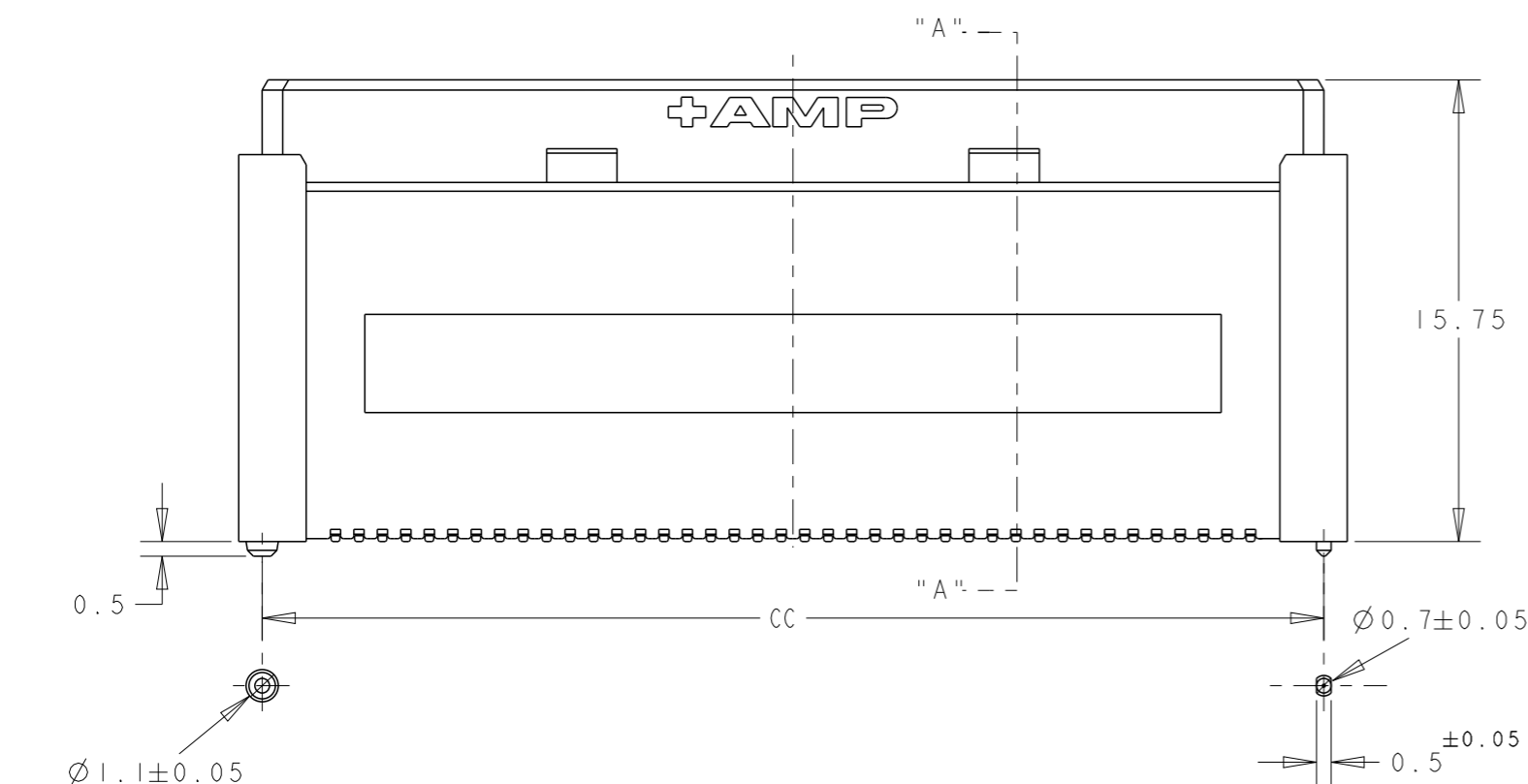
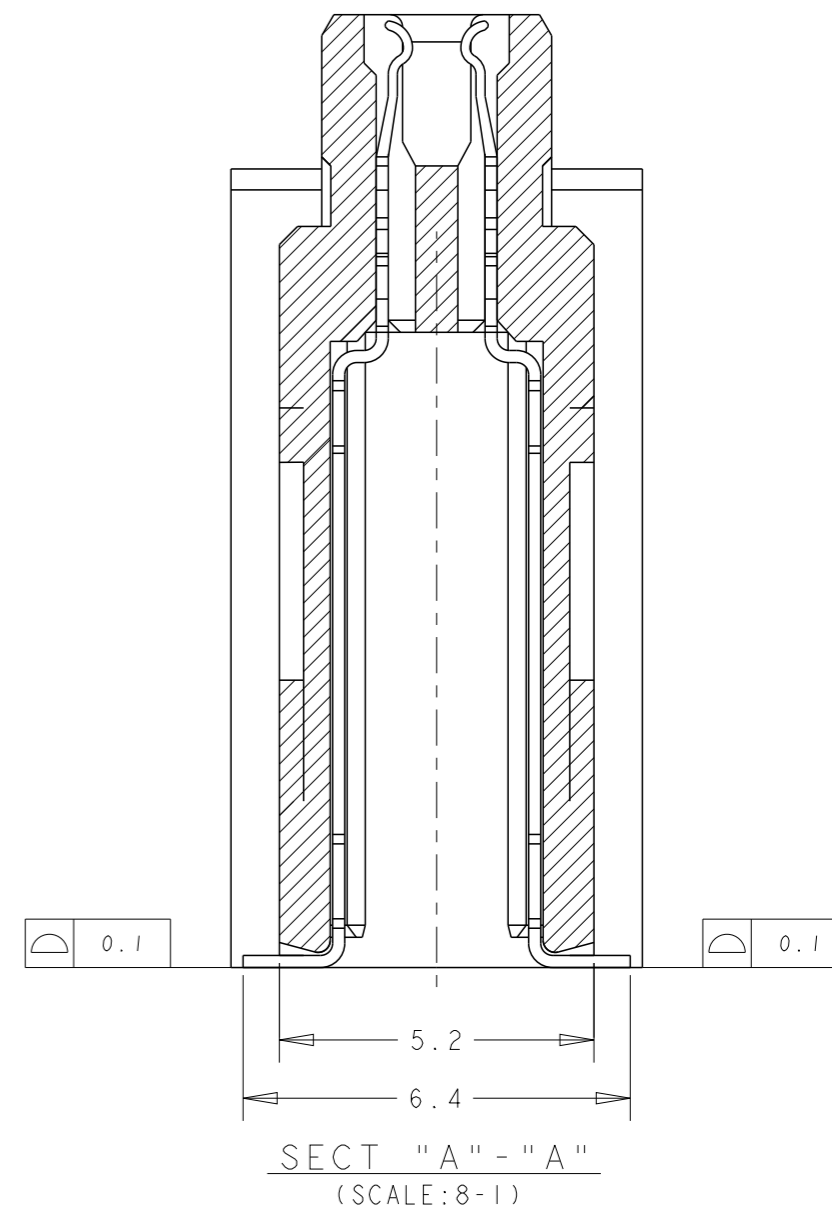
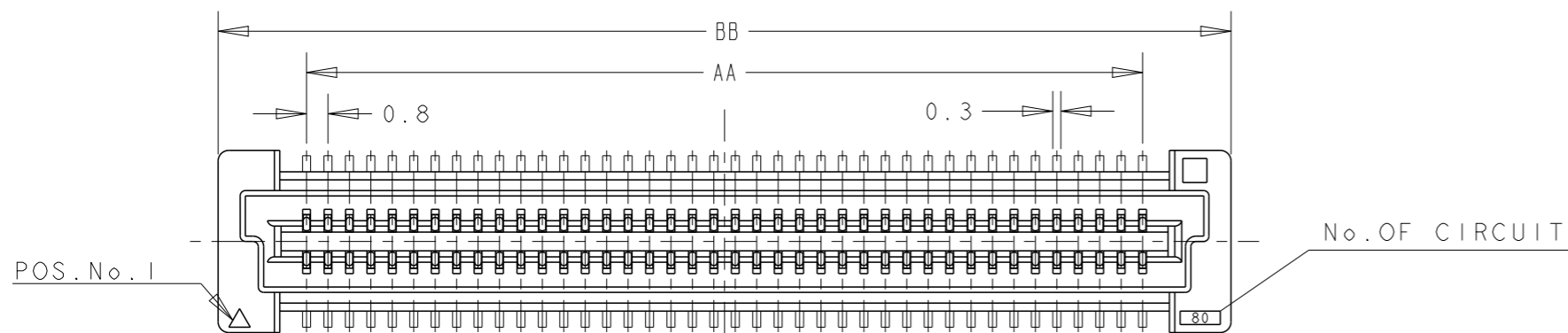
DESCRIPTION

DATE

DWN

APVD

SEE SHEET 1



CONNECTOR DIMENSIONS REFERENCED FROM DRAWING NO. 1735480.

THIS DRAWING IS A CONTROLLED DOCUMENT.

DWN RITA LIANG 01NOV17

CHK SHOAL ALEX 23NOV17

APVD HOPE LU 23NOV17

PRODUCT SPEC 108-5390

APPLICATION SPEC 114-5254

WEIGHT -

CUSTOMER DRAWING



NAME RECEPTACLE 17mm HEIGHT FH 0.8mm B-T-B CONNECTOR WITH STEEL COVER, ON EMBOSS TAPE

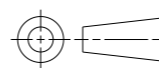
SIZE CAGE CODE DRAWING NO RESTRICTED TO

A300779 C-1735482

SCALE 2:1 SHEET 2 OF 3 REV A4

DIMENSIONS: mm

TOLERANCES UNLESS OTHERWISE SPECIFIED:



- 0 PLC ±
- 1 PLC ±0.30
- 2 PLC ±0.25
- 3 PLC ±0.20
- 4 PLC ±
- ANGLES ±3°

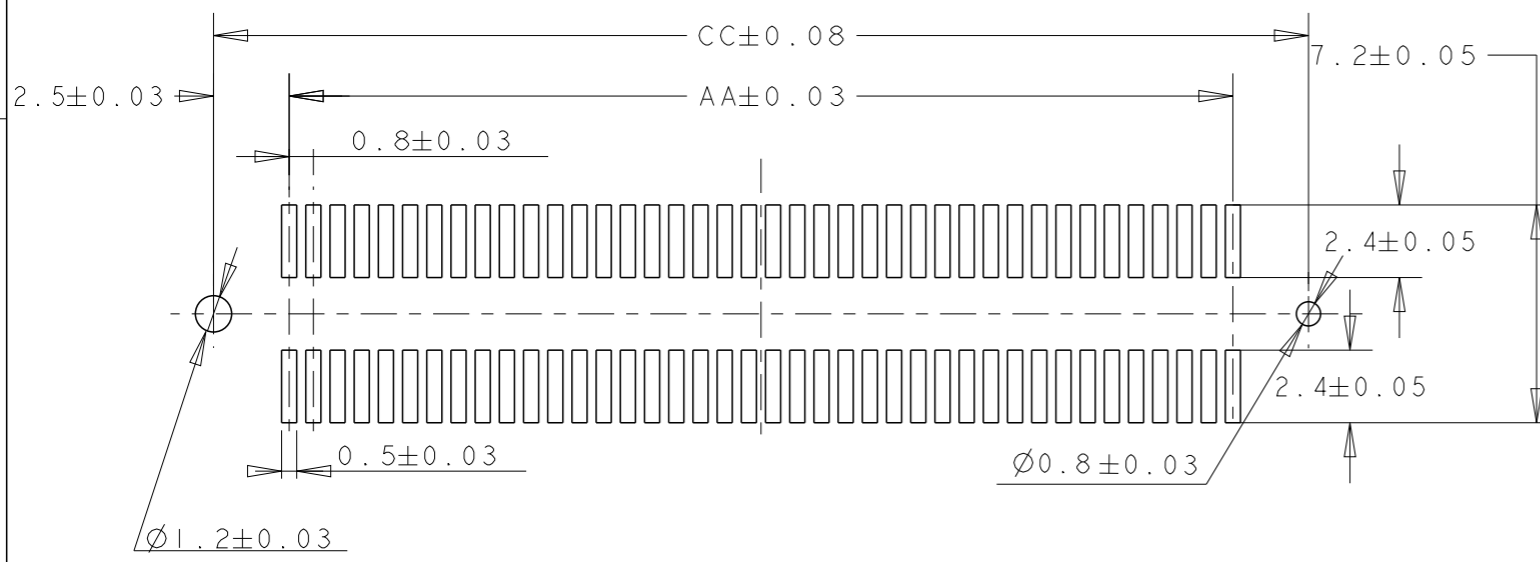
MATERIAL



FINISH SEE P/N TABLE

THIS DRAWING IS UNPUBLISHED. RELEASED FOR PUBLICATION 20
 © COPYRIGHT 20 BY - ALL RIGHTS RESERVED.

| LOC | DIST | REVISIONS | | | | | |
|-----|------|-----------|-----|-------------|------|-----|------|
| DY | - | P | LTR | DESCRIPTION | DATE | DWN | APVD |
| | | - | | SEE SHEET 1 | - | - | - |



RECOMMENDED P.C. BOARD LAYOUT
 (REFERENCED FROM DRAWING NO. 1735480.)

NOTES:

- △7 FINISH:
- ENGAGEMENT AREA: GOLD FLASH
- SOLDERING AREA: 0.002 MIN MATTE TIN
- UNDERCOAT: 0.0013 MIN NICKEL
- ALL OVER

| △7 Gold flash - Sn | 100 | 84.20 | SAME AS DIM D | 79.20 | 94.0 | 20 | 85.8 | 120 | 116.4 | 58.2 | 200 | 4-1735482-0 | | |
|-----------------------|---------------------|-------|---------------|---------------|---------------|-------|------|-----|-------|------|-------|-------------|-----|-------------------|
| | 100 | 76.20 | | 71.20 | 86.0 | 20 | 77.8 | 104 | 100.4 | 50.2 | 180 | 3-1735482-9 | | |
| | 100 | 68.20 | | 63.20 | 73.8 | 20 | 69.8 | 88 | 84.4 | 42.2 | 160 | 3-1735482-8 | | |
| | 100 | 64.20 | | 59.20 | 69.8 | 20 | 65.8 | 88 | 84.4 | 42.2 | 150 | 3-1735482-7 | | |
| | 100 | 60.20 | | 55.20 | 65.8 | 20 | 61.8 | 88 | 84.4 | 42.2 | 140 | 3-1735482-6 | | |
| | 100 | 52.20 | | 47.20 | 57.8 | 20 | 53.8 | 72 | 68.4 | 34.2 | 120 | 3-1735482-5 | | |
| | 100 | 44.20 | | 39.20 | 49.8 | 20 | 45.8 | 72 | 68.4 | 34.2 | 100 | 3-1735482-4 | | |
| | 100 | 36.20 | | 31.20 | 41.8 | 20 | 37.8 | 56 | 52.4 | 26.2 | 80 | 3-1735482-3 | | |
| | 100 | 28.20 | | 23.20 | 33.8 | 20 | 29.8 | 44 | 40.4 | 20.2 | 60 | 3-1735482-2 | | |
| | 100 | 20.20 | | 15.20 | 25.8 | 20 | 21.8 | 44 | 40.4 | 20.2 | 40 | 3-1735482-1 | | |
| | △3 30 u" Au - Sn | 100 | | 84.20 | SAME AS DIM D | 79.20 | 94.0 | 20 | 85.8 | 120 | 116.4 | 58.2 | 200 | 3-1735482-0 |
| | | 100 | | 76.20 | | 71.20 | 86.0 | 20 | 77.8 | 104 | 100.4 | 50.2 | 180 | 2-1735482-9 |
| 100 | | 68.20 | 63.20 | 73.8 | | 20 | 69.8 | 88 | 84.4 | 42.2 | 160 | 2-1735482-8 | | |
| 100 | | 64.20 | 59.20 | 69.8 | | 20 | 65.8 | 88 | 84.4 | 42.2 | 150 | 2-1735482-7 | | |
| 100 | | 60.20 | 55.20 | 65.8 | | 20 | 61.8 | 88 | 84.4 | 42.2 | 140 | 2-1735482-6 | | |
| 100 | | 52.20 | 47.20 | 57.8 | | 20 | 53.8 | 72 | 68.4 | 34.2 | 120 | 2-1735482-5 | | |
| 100 | | 44.20 | 39.20 | 49.8 | | 20 | 45.8 | 72 | 68.4 | 34.2 | 100 | 2-1735482-4 | | |
| 100 | | 36.20 | 31.20 | 41.8 | | 20 | 37.8 | 56 | 52.4 | 26.2 | 80 | 2-1735482-3 | | |
| 100 | | 28.20 | 23.20 | 33.8 | | 20 | 29.8 | 44 | 40.4 | 20.2 | 60 | 2-1735482-2 | | |
| 100 | | 20.20 | 15.20 | 25.8 | | 20 | 21.8 | 44 | 40.4 | 20.2 | 40 | 2-1735482-1 | | |
| △2 08 u" Au - Sn | | 100 | 84.20 | SAME AS DIM D | | 79.20 | 94.0 | 20 | 85.8 | 120 | 116.4 | 58.2 | 200 | 1-1735482-0 |
| | | 100 | 76.20 | | | 71.20 | 86.0 | 20 | 77.8 | 104 | 100.4 | 50.2 | 180 | 1735482-9 |
| | 100 | 68.20 | 63.20 | | 73.8 | 20 | 69.8 | 88 | 84.4 | 42.2 | 160 | 1735482-8 | | |
| | 100 | 64.20 | 59.20 | | 69.8 | 20 | 65.8 | 88 | 84.4 | 42.2 | 150 | 1735482-7 | | |
| | 100 | 60.20 | 55.20 | | 65.8 | 20 | 61.8 | 88 | 84.4 | 42.2 | 140 | 1735482-6 | | |
| | 100 | 52.20 | 47.20 | | 57.8 | 20 | 53.8 | 72 | 68.4 | 34.2 | 120 | 1735482-5 | | |
| | 100 | 44.20 | 39.20 | | 49.8 | 20 | 45.8 | 72 | 68.4 | 34.2 | 100 | 1735482-4 | | |
| | 100 | 36.20 | 31.20 | | 41.8 | 20 | 37.8 | 56 | 52.4 | 26.2 | 80 | 1735482-3 | | |
| | 100 | 28.20 | 23.20 | | 33.8 | 20 | 29.8 | 44 | 40.4 | 20.2 | 60 | 1735482-2 | | |
| | 100 | 20.20 | 15.20 | | 25.8 | 20 | 21.8 | 44 | 40.4 | 20.2 | 40 | 1735482-1 | | |
| | CONTACT FINISH | QTY | CC | | BB | AA | F | E | D | C | B | A | POS | SALEABLE PART NO. |

| | | | | |
|---|---------------|------------------------------|---|-----------------------|
| THIS DRAWING IS A CONTROLLED DOCUMENT. | | DWN RITA LIANG 01NOV17 | TE Connectivity RECEPTACLE 17mm HEIGHT FH 0.8mm B-T-B CONNECTOR WITH STEEL COVER, ON EMBOSS TAPE | |
| DIMENSIONS: mm | | CHK SHOAL ALEX 06NOV17 | | |
| TOLERANCES UNLESS OTHERWISE SPECIFIED: | | APVD HOPE LU 06NOV17 | | |
| 0 PLC ± 1 PLC ±0.30 2 PLC ±0.25 3 PLC ±0.20 4 PLC ± ANGLES ±3° | | PRODUCT SPEC 108-5390 | | |
| MATERIAL | FINISH | APPLICATION SPEC 114-5254 | NAME | RESTRICTED TO |
| △1 | SEE P/N TABLE | WEIGHT - | SIZE A3 | |
| CUSTOMER DRAWING | | | CAGE CODE 00779 | DRAWING NO 1735482 |
| | | | SCALE 2:1 | SHEET 3 OF 3 |
| | | | REV A4 | |

X-ON Electronics

Largest Supplier of Electrical and Electronic Components

Click to view similar products for [Board to Board & Mezzanine Connectors](#) category:

Click to view products by [TE Connectivity](#) manufacturer:

Other Similar products are found below :

[589158040000018](#) [MDF7C-18P-2.54DSA\(55\)](#) [FCN-230C068-11](#) [FCN-268F012-G/BD](#) [FCN-268F036-G/BD](#) [FCN-268M012-G/0D](#) [FCN-268M024-G/1D](#) [FCN-723J004/1](#) [MIS-048-01-F-D-DP-K](#) [832-10-034-10-001000](#) [FX4C-80S-1.27DSA](#) [FCN-214Q030-G/0](#) [FCN-234P048-G/0](#) [FCN-235D050-G/C](#) [210-93-314-41-105000](#) [2-22603-0](#) [MDF7-40DP-2.54DSA\(55\)](#) [AXG720047](#) [5031084030](#) [MIT-114-03-F-D-K](#) [55323-1519](#) [DF33-2P-3.3DSA\(24\)](#) [YFT-20-05-H-03-SB-K](#) [503308-3040](#) [026-6203-PDB](#) [027-6203-PDB](#) [069159702701000](#) [10123981-102LF](#) [101A10019X](#) [55650-0588-C](#) [68682-310LF](#) [68684-306](#) [75140-7012](#) [87471-650](#) [194261-1](#) [FCN-268F024-G0D](#) [10124054-515LF](#) [68685-603](#) [8-1616154-3](#) [MIS-019-01-F-D](#) [FCN-268M024-G/3D](#) [20021832-06016C1LF](#) [KX15-20KLDL-E1000E](#) [MDF7-16DP-2.54DSA\(55\)](#) [AXE810124](#) [FCN-214J100-G/0](#) [FCN-230C068-E/S](#) [AXE812124](#) [AXE816124](#) [AXE720127](#)