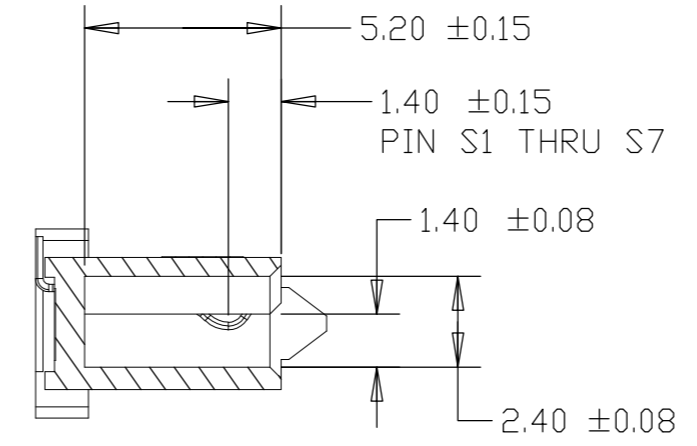
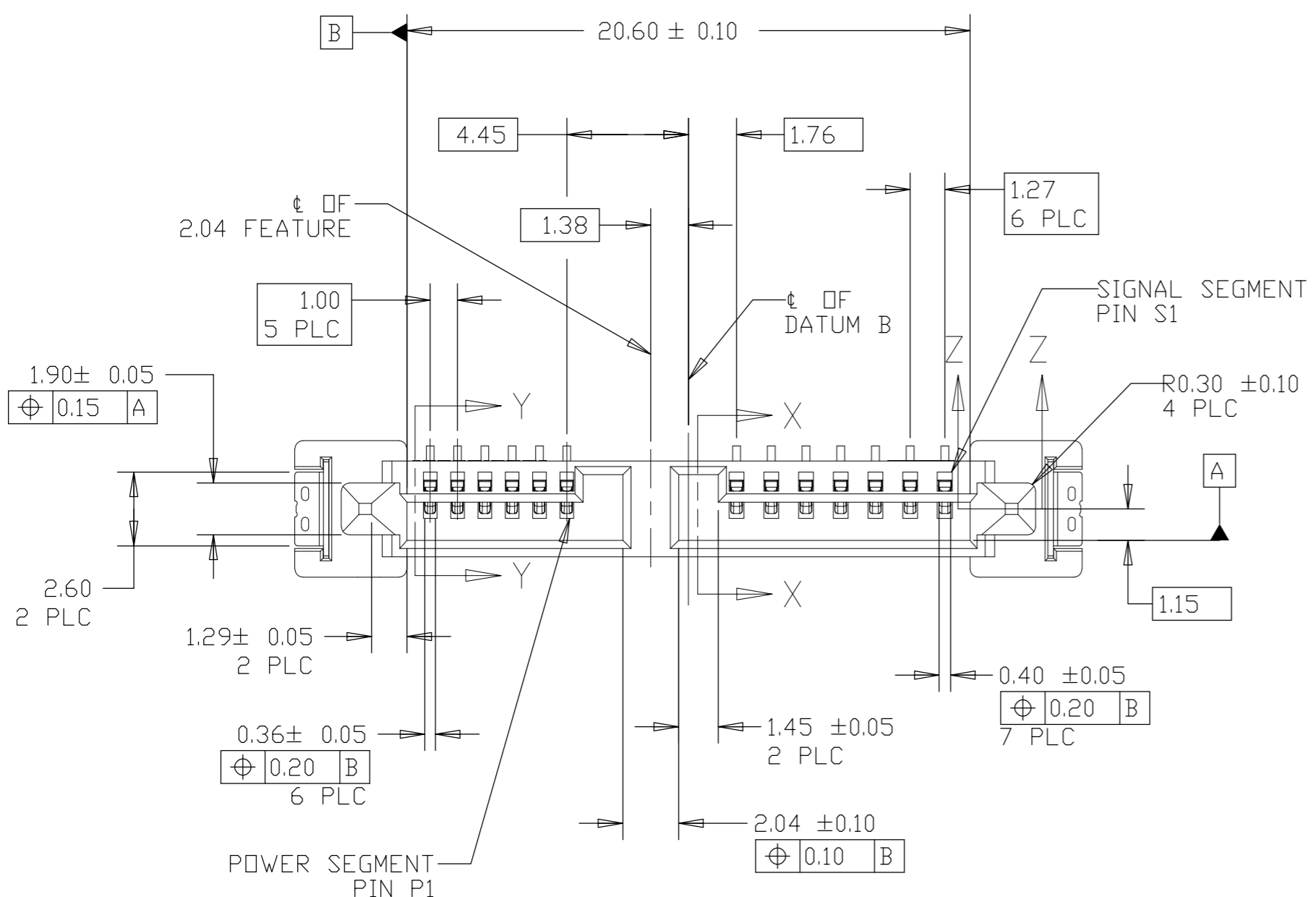
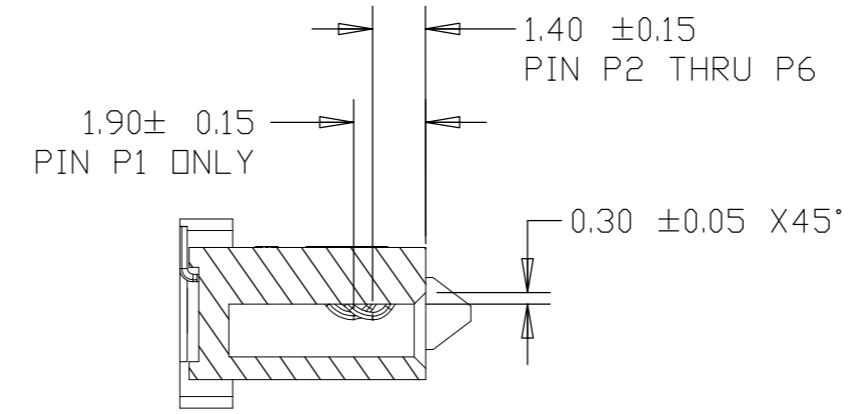


THIS DRAWING IS UNPUBLISHED. RELEASED FOR PUBLICATION
 © COPYRIGHT BY - ALL RIGHTS RESERVED.

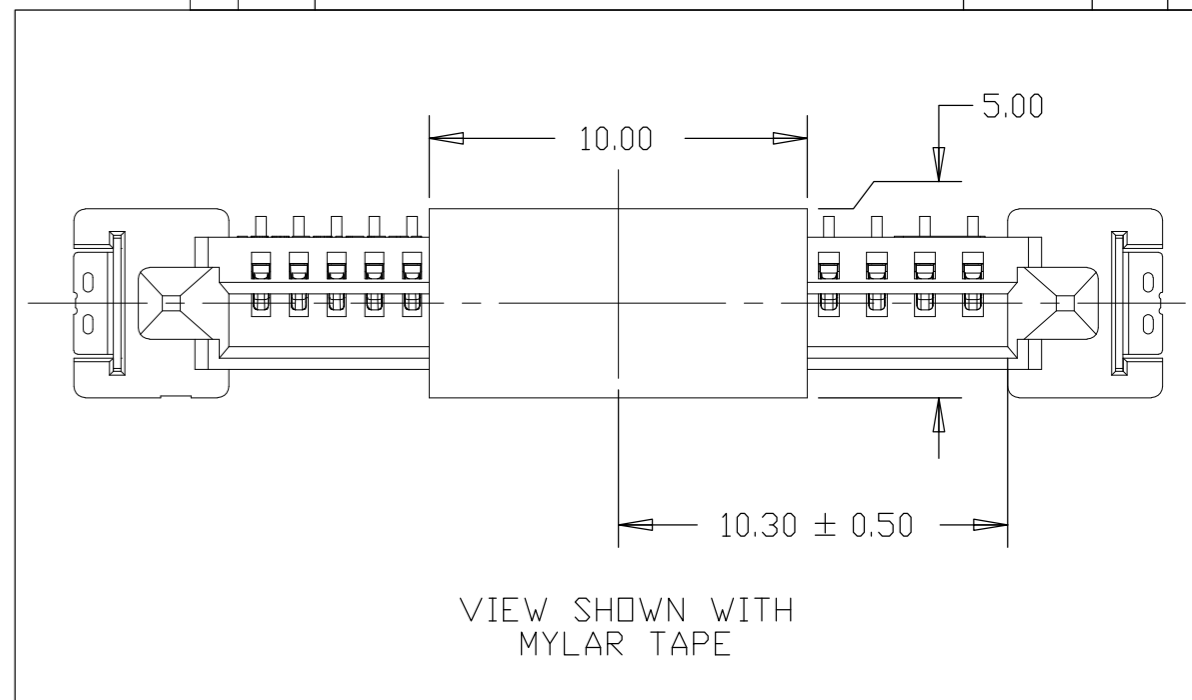
REVISIONS				
P	LTR	DESCRIPTION	DATE	APVD
A5		REVISED (ECR-18-001061)	30JAN2018	E.Z WK.H



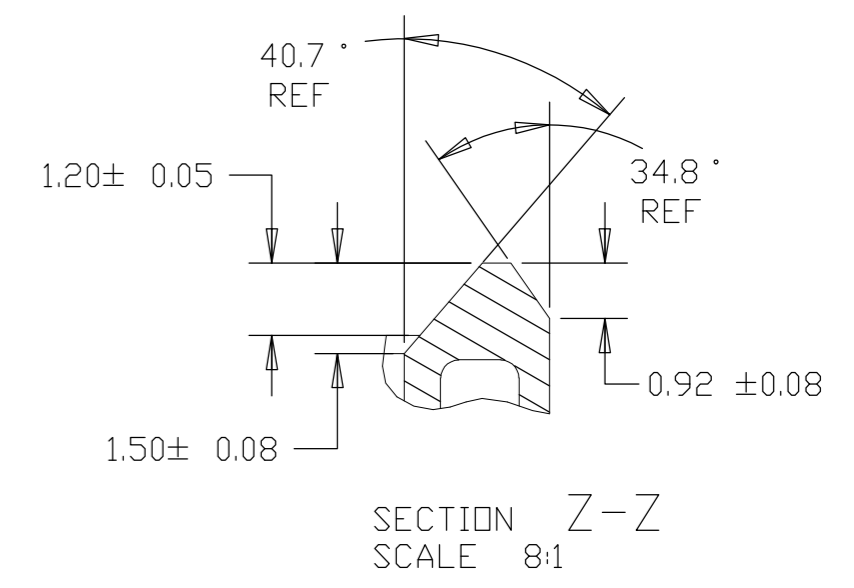
SECTION X-X



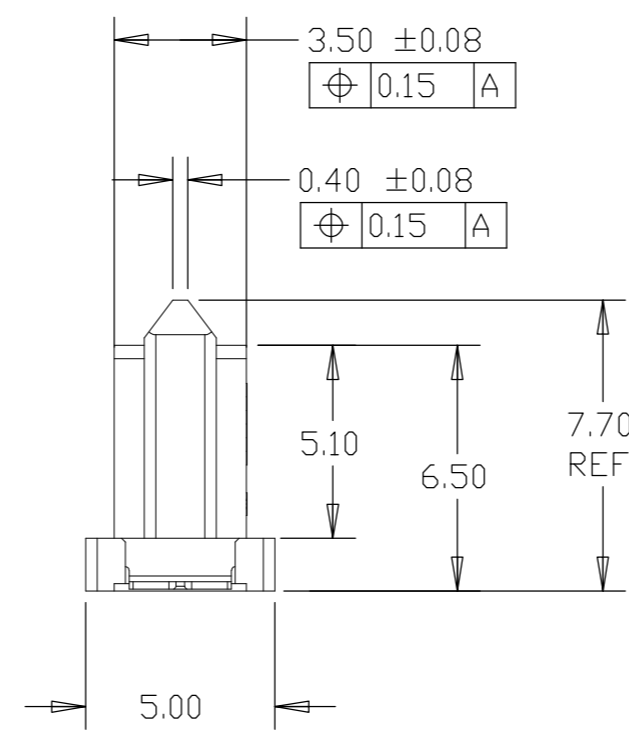
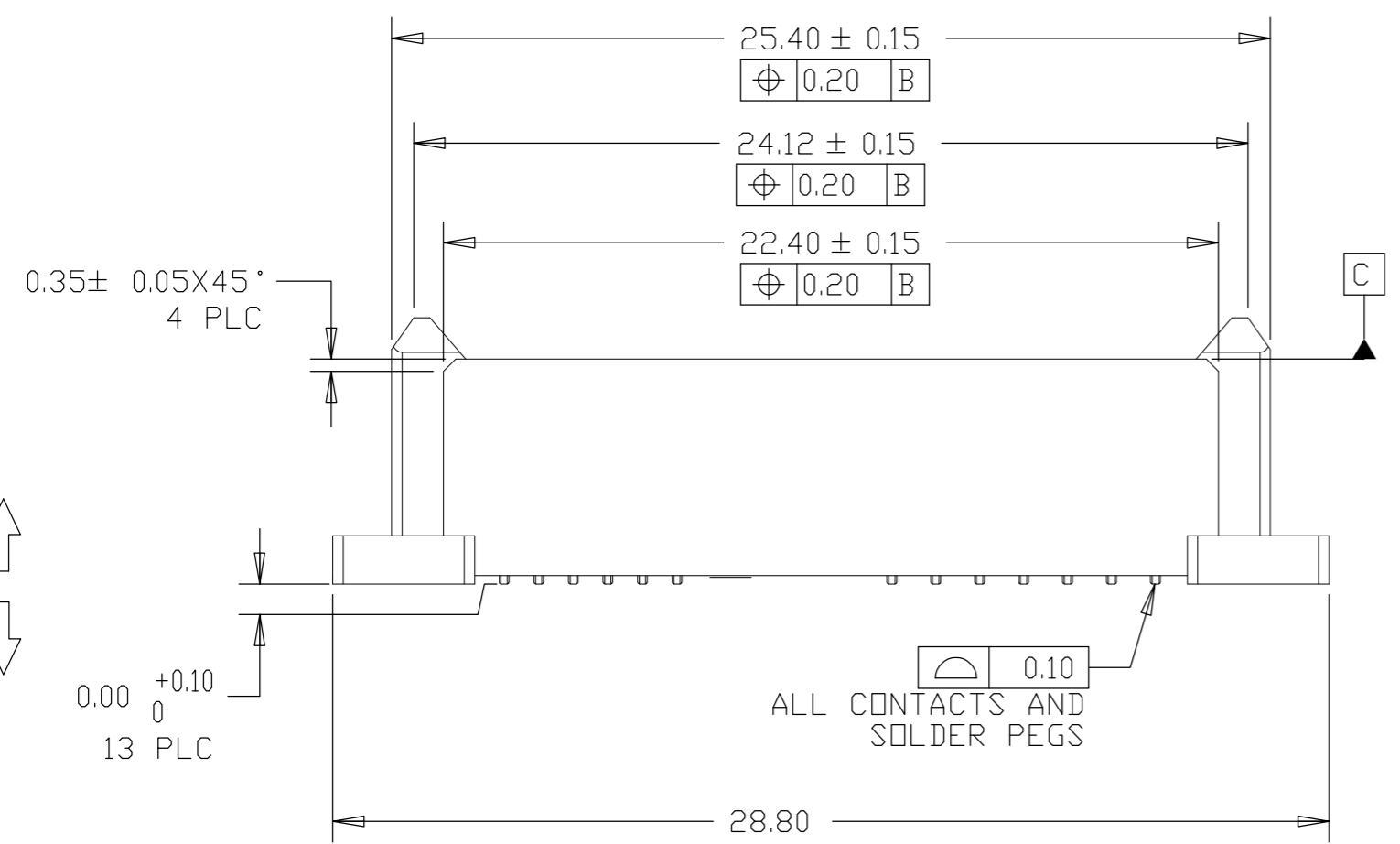
SECTION Y-Y



VIEW SHOWN WITH MYLAR TAPE



SECTION Z-Z SCALE 8:1



NOTES:

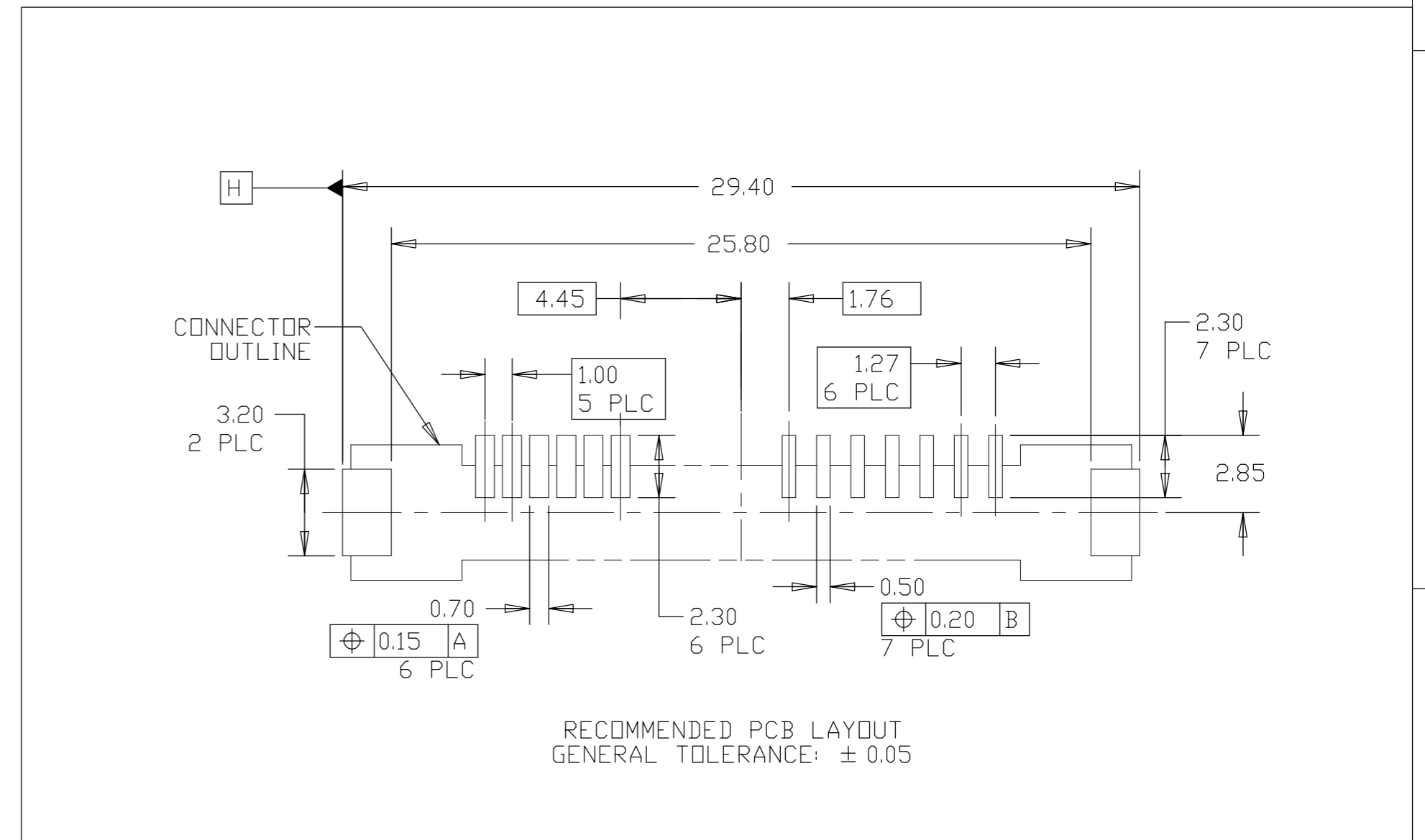
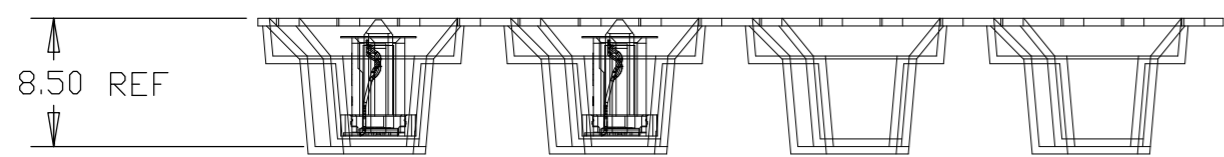
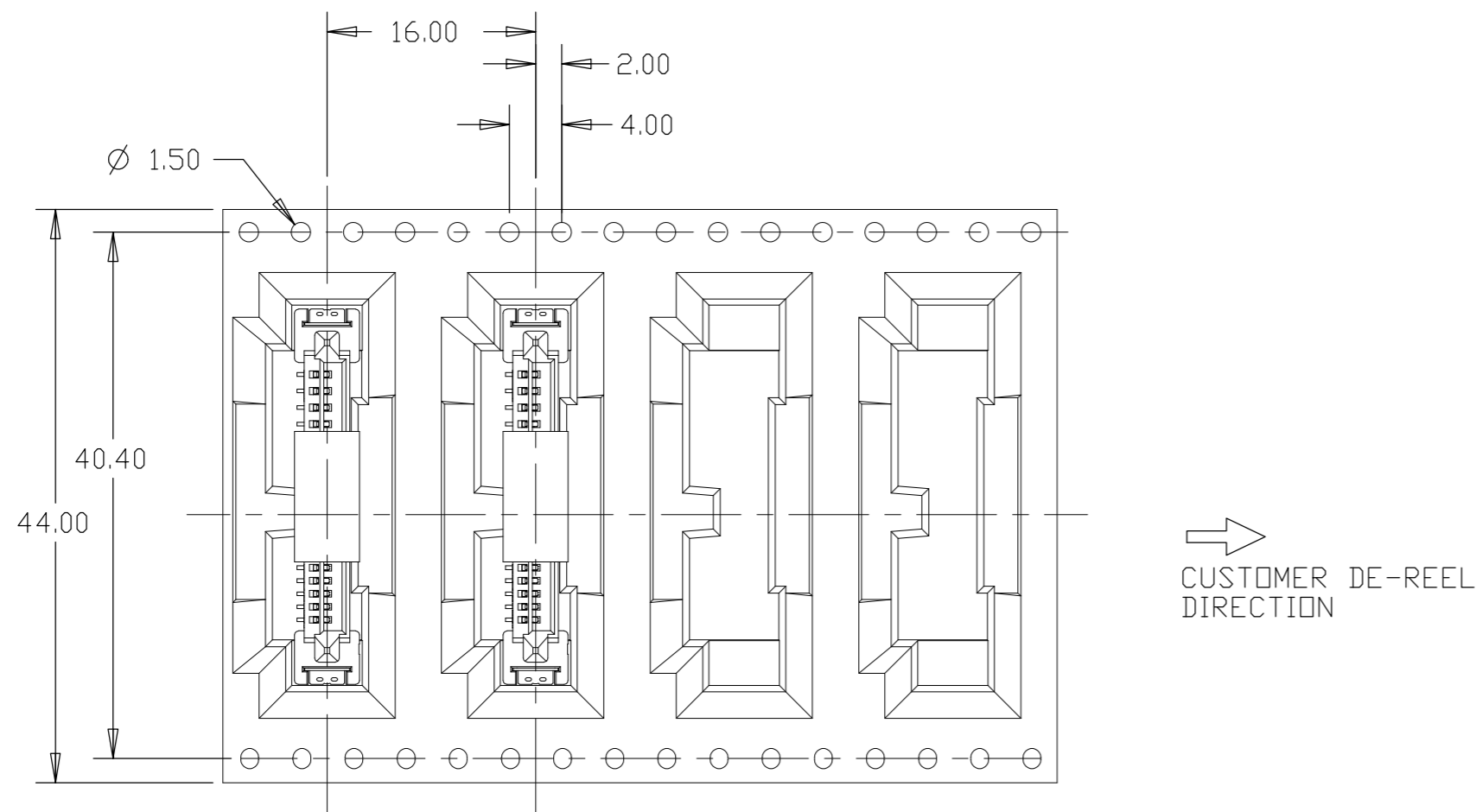
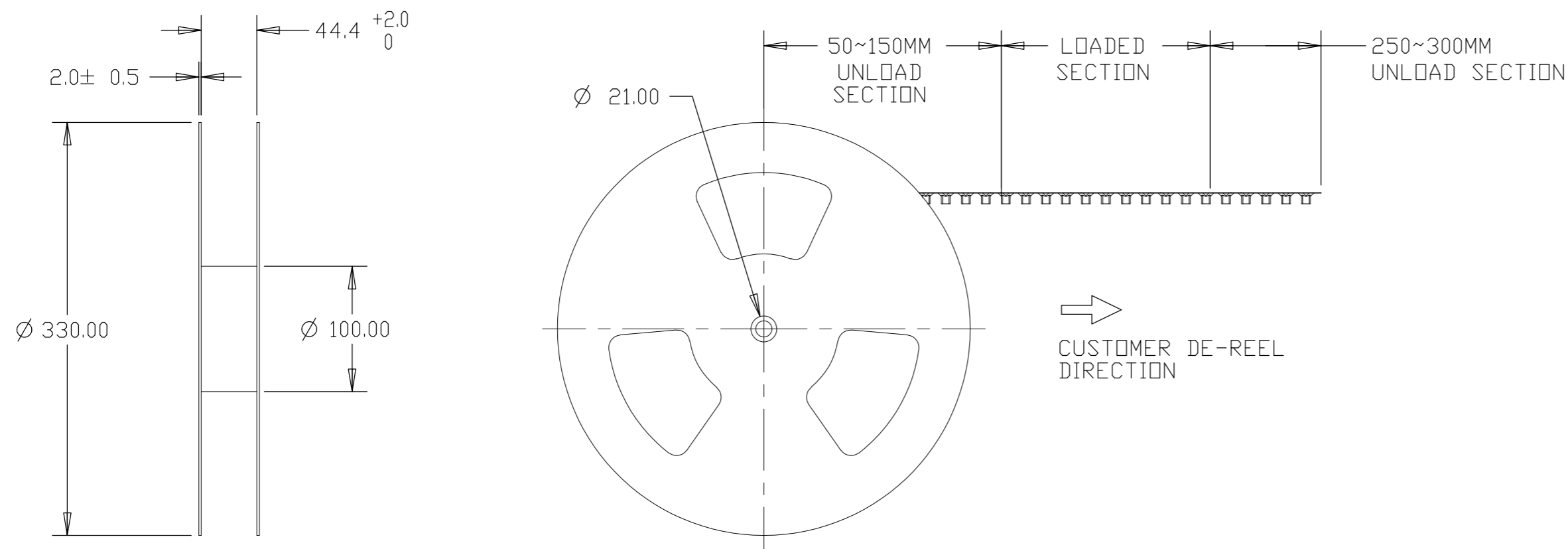
- 1 MATERIAL:
 HOUSING: HIGH TEMP THERMOPLASTIC, UL94V-0, COLOR: BLACK
 CONTACT: COPPER ALLOY
 SOLDER PEG: COPPER ALLOY
- 2 FINISH:
 CONTACT MATING AREA: GOLD PLATING OR GOLD FLASH OVER PALLADIUM-NICKEL (SEE TABLE FOR THICKNESS)
 CONTACT SOLDER TAIL: MIN 2.54um MATTE TIN PLATING
 SOLDER PEG: MIN 2.54um MATTE TIN PLATING
 UNDERPLATE: MIN 1.27um NICKEL PLATING ALL OVER
- 3. PACKAGING: TAPE & REEL.
 QTY: 500PCS/REEL

0.76um MIN	1735539-3
0.38um MIN	1735539-2
GOLD FLASH ONLY	1735539-1
AU OR PD-NI THICKNESS	PART NUMBER

THIS DRAWING IS A CONTROLLED DOCUMENT.		DWN SK LEAW 12MAR2008	TE Connectivity	
DIMENSIONS: MM		CHK SF LEONG 12MAR2008		
TOLERANCES UNLESS OTHERWISE SPECIFIED:		APVD SF LEONG 12MAR2008	NAME SLIMLINE SATA RECEPTACLE, VERTICAL, SMT, 6.5H	
0 PLC ± 1 PLC ±0.4 2 PLC ±0.20 3 PLC ± 4 PLC ± ANGLES ±3° FINISH		PRODUCT SPEC 108-51075	RESTRICTED TO	
MATERIAL 1		APPLICATION SPEC -	SIZE A2	CAGE CODE 00779
		WEIGHT -	DRAWING NO C-1735539	SHEET 1 OF 2
		CUSTOMER DRAWING	SCALE 5:1	REV A5

THIS DRAWING IS UNPUBLISHED. RELEASED FOR PUBLICATION 20
 © COPYRIGHT BY - ALL RIGHTS RESERVED.

REVISIONS					
P	LTR	DESCRIPTION	DATE	DWN	APVD
-		SEE SHEET 1	-	-	-



THIS DRAWING IS A CONTROLLED DOCUMENT.		DWN SK LEAW 12MAR2008				
		CHK SF LEONG 12MAR2008				
		APVD SF LEONG 12MAR2008	NAME SLIMLINE SATA RECEPTACLE, VERTICAL, SMT, 6.5H			
DIMENSIONS: MM		PRODUCT SPEC 108-51075	SIZE A2	CAGE CODE 00779	DRAWING NO C=1735539	RESTRICTED TO
TOLERANCES UNLESS OTHERWISE SPECIFIED:		APPLICATION SPEC -	SCALE 5:1	SHEET 2 OF 2	REV A5	
MATERIAL		WEIGHT -	CUSTOMER DRAWING			

X-ON Electronics

Largest Supplier of Electrical and Electronic Components

Click to view similar products for [I/O Connectors](#) category:

Click to view products by [TE Connectivity](#) manufacturer:

Other Similar products are found below :

[571763P](#) [72.250.1628.2](#) [72.250.2428.2](#) [74720-0505](#) [76.350.0729.0](#) [76871-1403](#) [FCN-244F080-G/1](#) [FCN-260A9920](#) [MP-5T180MUNNA-005](#)
[PCR-E36PM](#) [PCS-XE26MA+](#) [G38A71314B](#) [1571250010](#) [157-22500-3](#) [MS3471L14-19P L/C](#) [91-569786-35H](#) [172501-4002](#) [172501-6002](#)
[FCN-260C008-A/L0](#) [FCN-260C024-AL0](#) [FCN-261Z008](#) [2000314-1](#) [200331-1](#) [PCR-E36FC+](#) [PCS-E28FS+](#) [PCS-XE26SLFD+](#) [PCS-](#)
[XE26SLFDT+](#) [G730VID08BDC24](#) [U90B2054081210](#) [UE86K842720321](#) [38113800006](#) [DP3AR020WQ1R200](#) [Z4.102.0680.0](#) [500-1040](#)
[500-1052](#) [500-1054](#) [ZP-4008-66L](#) [0709821002](#) [10-565995-597N](#) [DX40-20P\(55\)](#) [5554841-1](#) [MS3474W18-8P-LC*](#) [U90B3054061110](#) [U65-](#)
[E04-4020](#) [ZPF000000000097891](#) [557-262M2-06C](#) [747360449](#) [10099439-003C-TRLF](#) [10137239-0021LF](#) [E9320-001-01](#)