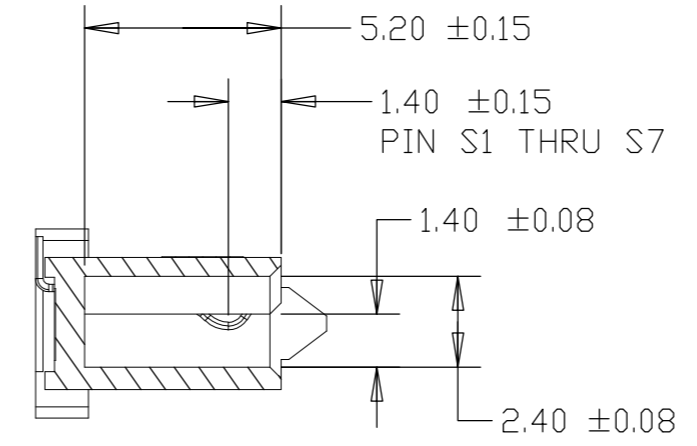
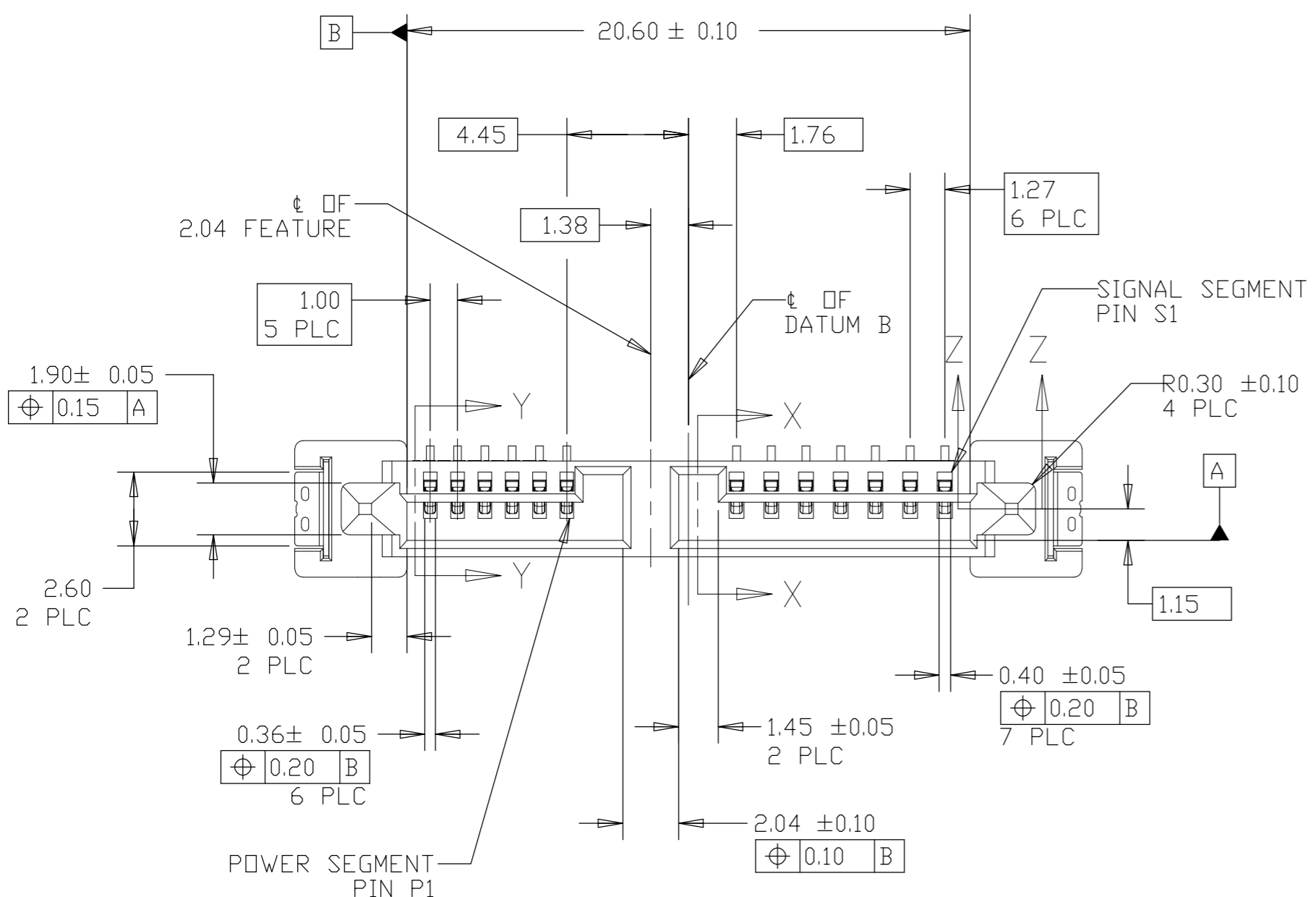
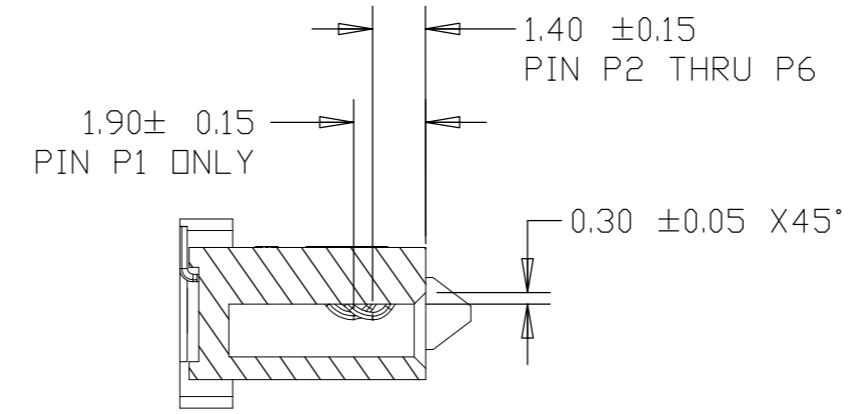


THIS DRAWING IS UNPUBLISHED. RELEASED FOR PUBLICATION  
 © COPYRIGHT BY - ALL RIGHTS RESERVED.

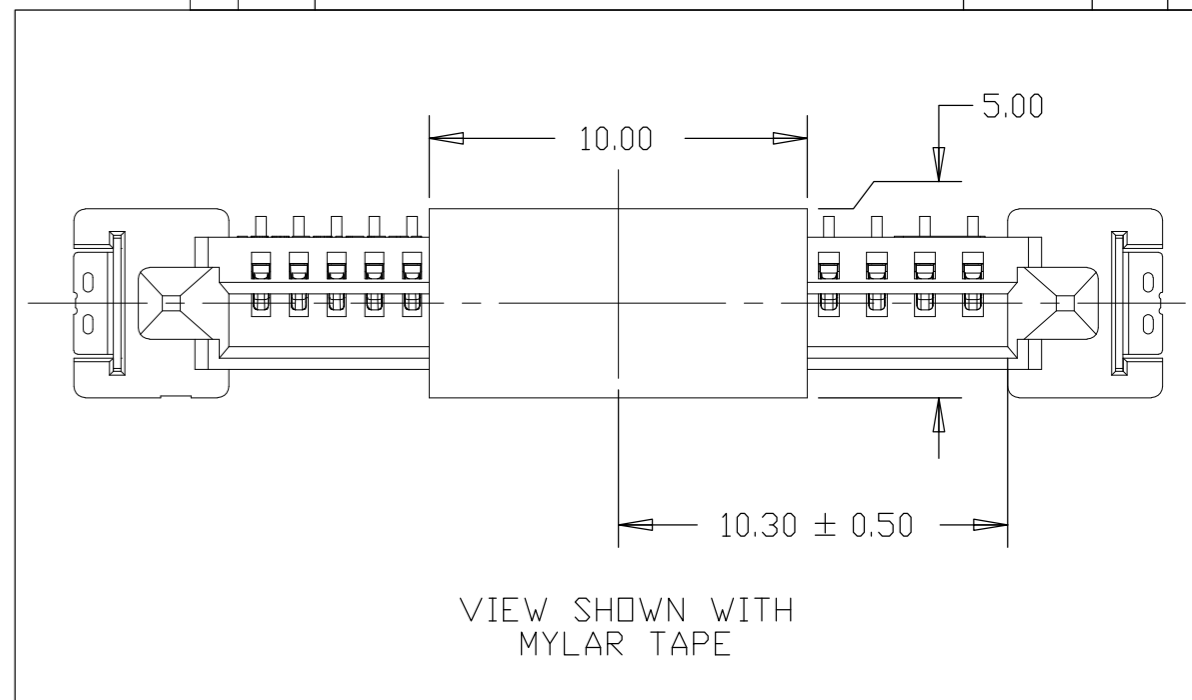
| REVISIONS |     |                         |           |          |
|-----------|-----|-------------------------|-----------|----------|
| P         | LTR | DESCRIPTION             | DATE      | APVD     |
| A5        |     | REVISED (ECR-18-001061) | 30JAN2018 | E.Z WK.H |



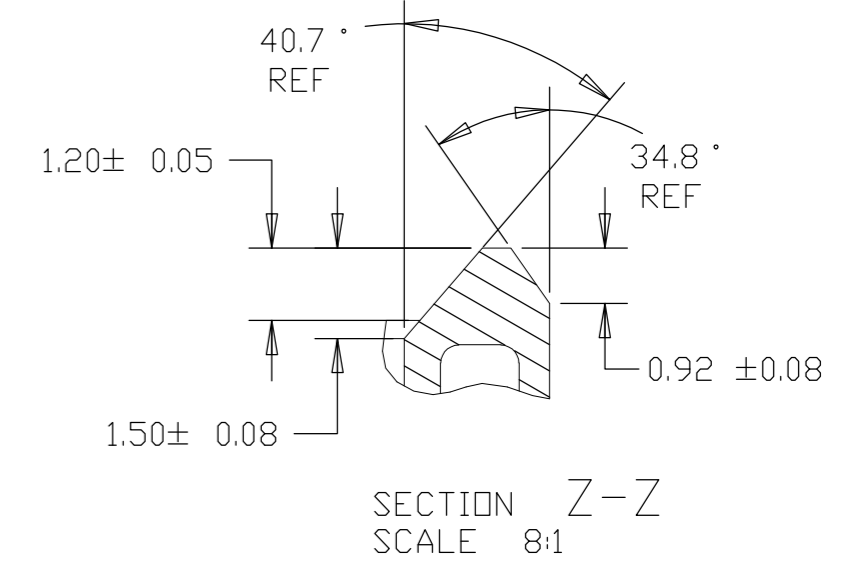
SECTION X-X



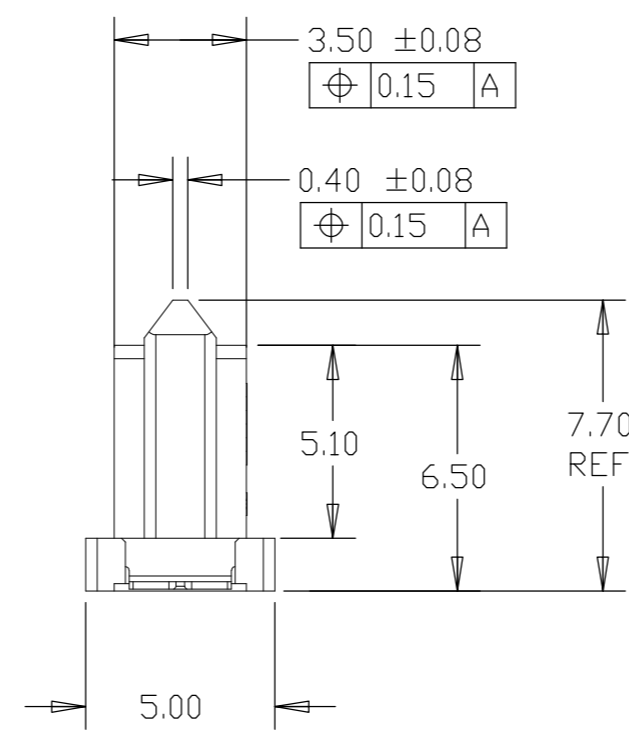
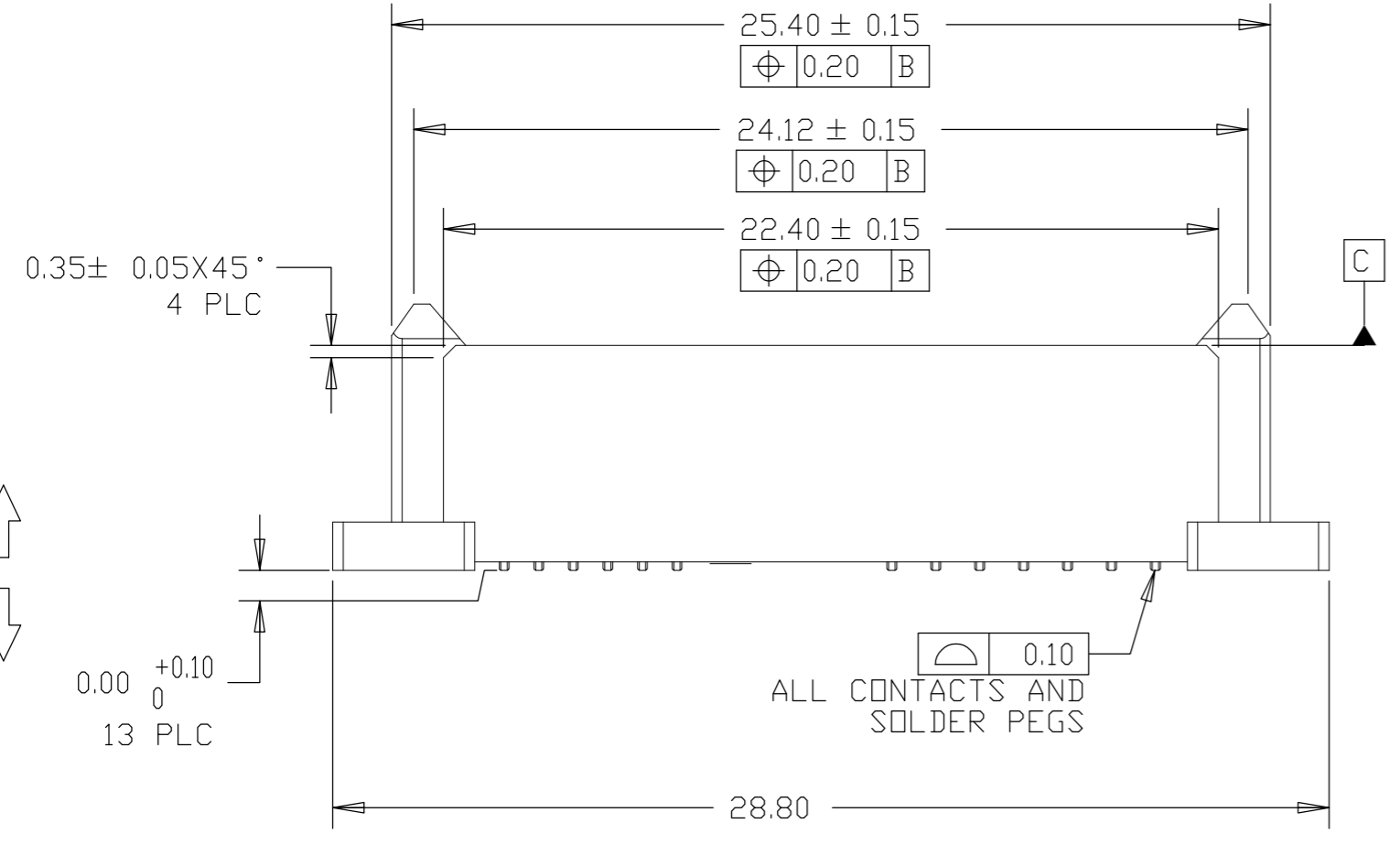
SECTION Y-Y



VIEW SHOWN WITH MYLAR TAPE



SECTION Z-Z SCALE 8:1



NOTES:

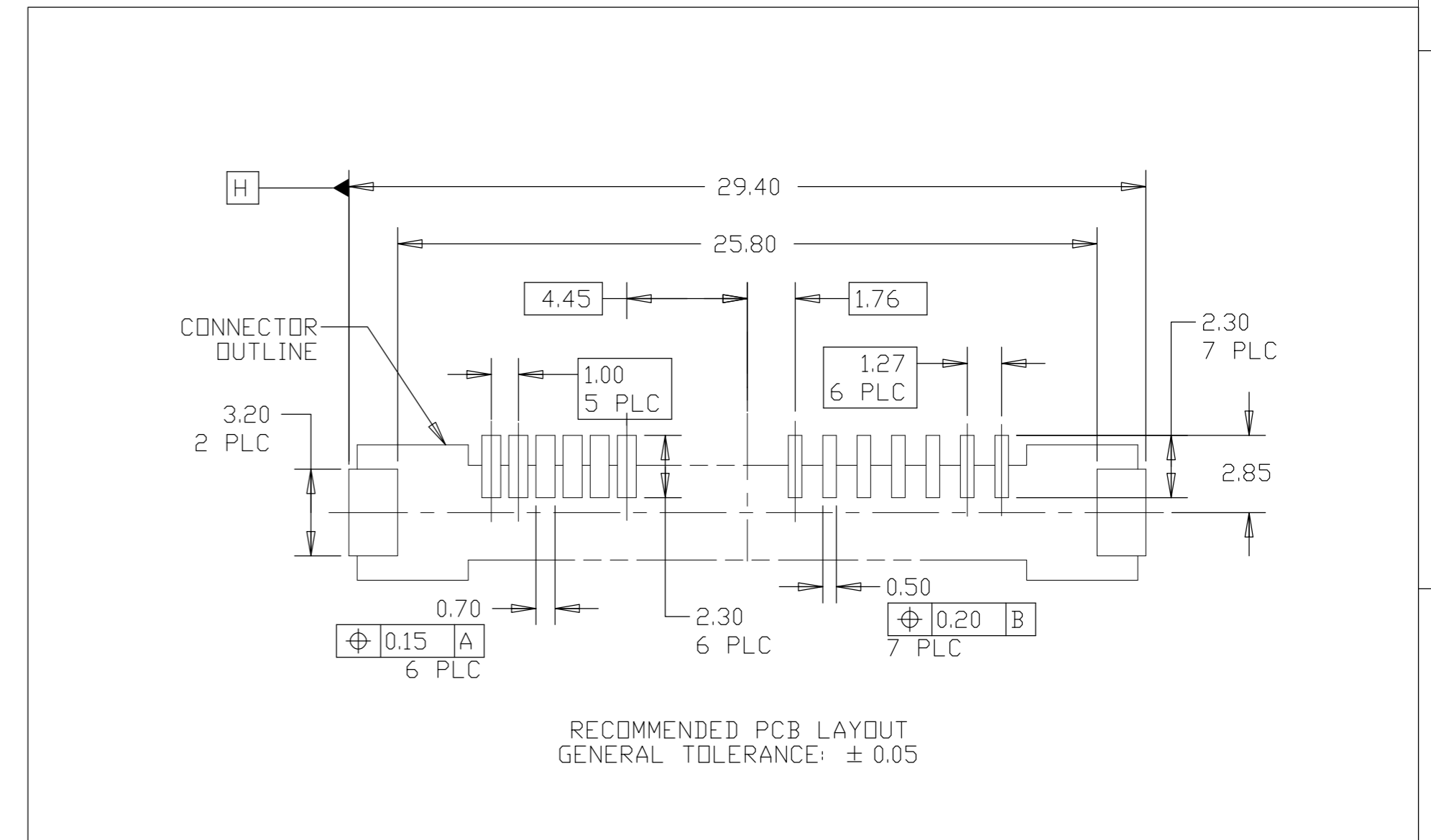
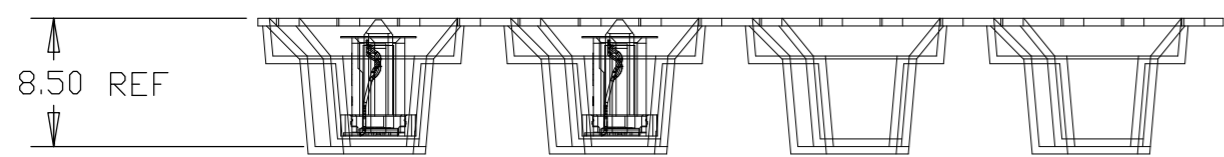
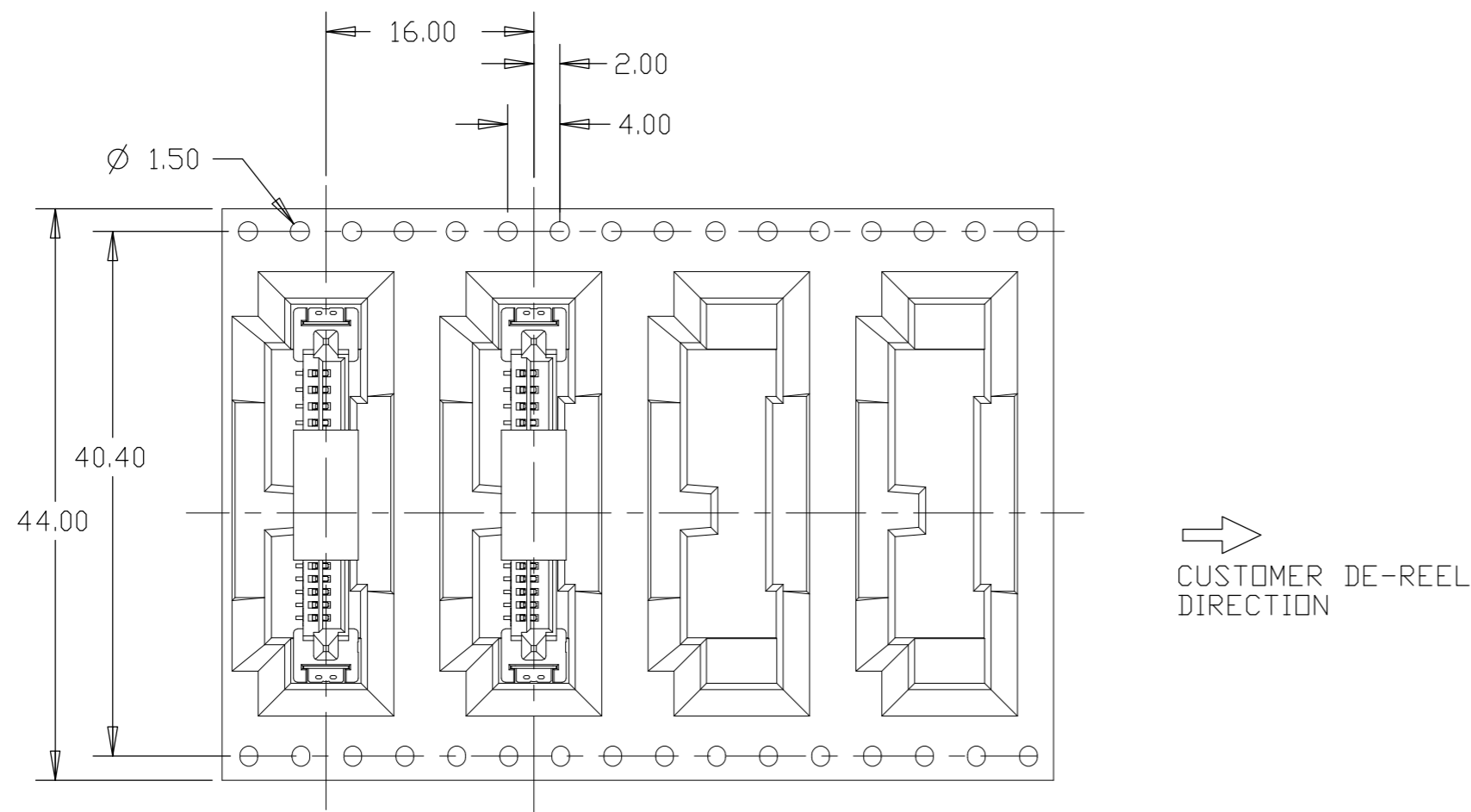
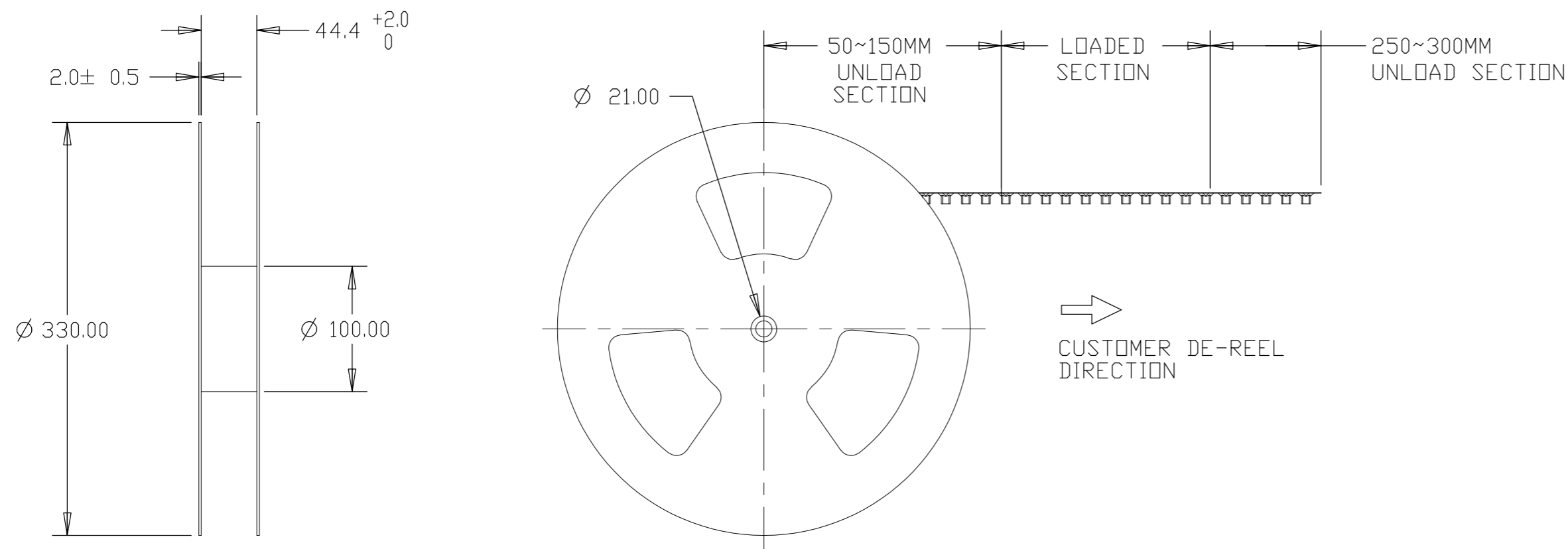
- 1 MATERIAL:  
 HOUSING: HIGH TEMP THERMOPLASTIC, UL94V-0, COLOR: BLACK  
 CONTACT: COPPER ALLOY  
 SOLDER PEG: COPPER ALLOY
- 2 FINISH:  
 CONTACT MATING AREA: GOLD PLATING OR GOLD FLASH OVER PALLADIUM-NICKEL (SEE TABLE FOR THICKNESS)  
 CONTACT SOLDER TAIL: MIN 2.54um MATTE TIN PLATING  
 SOLDER PEG: MIN 2.54um MATTE TIN PLATING  
 UNDERPLATE: MIN 1.27um NICKEL PLATING ALL OVER
- 3. PACKAGING: TAPE & REEL.  
 QTY: 500PCS/REEL

|                            |                      |
|----------------------------|----------------------|
| 0.76um MIN                 | 1735539-3            |
| 0.38um MIN                 | 1735539-2            |
| <del>GOLD FLASH ONLY</del> | <del>1735539-1</del> |
| AU OR PD-NI THICKNESS      | PART NUMBER          |

|  |  |                         |  |                      |
|--|--|-------------------------|--|----------------------|
| THIS DRAWING IS A CONTROLLED DOCUMENT.   |  | DWN SK LEAW 12MAR2008   | TE Connectivity                                    |                      |
| DIMENSIONS: mm   |  | CHK SF LEONG 12MAR2008  |  |                      |
| TOLERANCES UNLESS OTHERWISE SPECIFIED:   |  | APVD SF LEONG 12MAR2008 | NAME SLIMLINE SATA RECEPTACLE, VERTICAL, SMT, 6.5H |                      |
| 0 PLC ±<br>1 PLC ±0.4<br>2 PLC ±0.20<br>3 PLC ±<br>4 PLC ±<br>ANGLES ±3°<br>FINISH |  | PRODUCT SPEC 108-51075  | SIZE A2  |                      |
| MATERIAL 1   |  | APPLICATION SPEC -      | CAGE CODE 00779                                    | DRAWING NO C-1735539 |
| FINISH 2   |  | WEIGHT -                | SCALE 5:1  | SHEET 1 OF 2 REV A5  |
| CUSTOMER DRAWING   |  | RESTRICTED TO           |  |                      |

THIS DRAWING IS UNPUBLISHED. RELEASED FOR PUBLICATION 20  
 © COPYRIGHT BY - ALL RIGHTS RESERVED.

| REVISIONS |     |             |      |     |      |
|-----------|-----|-------------|------|-----|------|
| P         | LTR | DESCRIPTION | DATE | DWN | APVD |
| -         |     | SEE SHEET 1 | -    | -   | -    |
|           |     |             |      |     |      |
|           |     |             |      |     |      |



|  |  |                         |  |                 |                      |               |
|--|--|-------------------------|--|-----------------|----------------------|---------------|
| THIS DRAWING IS A CONTROLLED DOCUMENT. |  | DWN SK LEAW 12MAR2008   |  |                 |                      |               |
|  |  | CHK SF LEONG 12MAR2008  |  |                 |                      |               |
|  |  | APVD SF LEONG 12MAR2008 | NAME SLIMLINE SATA RECEPTACLE, VERTICAL, SMT, 6.5H |                 |                      |               |
| DIMENSIONS: mm                         |  | PRODUCT SPEC 108-51075  | SIZE A2  | CAGE CODE 00779 | DRAWING NO C=1735539 | RESTRICTED TO |
| TOLERANCES UNLESS OTHERWISE SPECIFIED: |  | APPLICATION SPEC -      | SCALE 5:1  | SHEET 2 OF 2    | REV A5               |               |
| MATERIAL                               |  | WEIGHT -                | CUSTOMER DRAWING                                   |                 |                      |               |

## X-ON Electronics

Largest Supplier of Electrical and Electronic Components

*Click to view similar products for [I/O Connectors](#) category:*

*Click to view products by [TE Connectivity](#) manufacturer:*

Other Similar products are found below :

[571763P](#) [58098-0628](#) [72.250.1628.2](#) [72.250.2428.2](#) [74720-0505](#) [76.350.0729.0](#) [76871-1403](#) [FCN-244F080-G/1](#) [FCN-260A9920](#) [PCR-E36PM](#) [PCS-XE26MA+](#) [G38A71314B](#) [DX40-50P\(55\)](#) [1571250010](#) [157-22500-3](#) [MS3471L14-19P L/C](#) [91-569786-35H](#) [172501-4002](#) [172501-6002](#) [FCN-260C008-A/L0](#) [FCN-260C024-AL0](#) [FCN-261Z008](#) [2000314-1](#) [200331-1](#) [PCR-E36FC+](#) [PCS-E28FS+](#) [PCS-XE26SLFD+](#) [PCS-XE26SLFDT+](#) [G730VID08BDC24](#) [U90B2054081210](#) [UE86K842720321](#) [38113800006](#) [DP3AR020WQ1R200](#) [Z4.102.0680.0](#) [500-1040](#) [500-1052](#) [500-1054](#) [ZP-4008-66L](#) [0709821002](#) [10-565995-597N](#) [DX40-20P\(55\)](#) [5554841-1](#) [MS3474W18-8P-LC\\*](#) [U90B3054061110](#) [U65-E04-4020](#) [ZPF000000000097891](#) [557-262M2-06C](#) [747360449](#) [10099439-003C-TRLF](#) [10137239-0021LF](#)