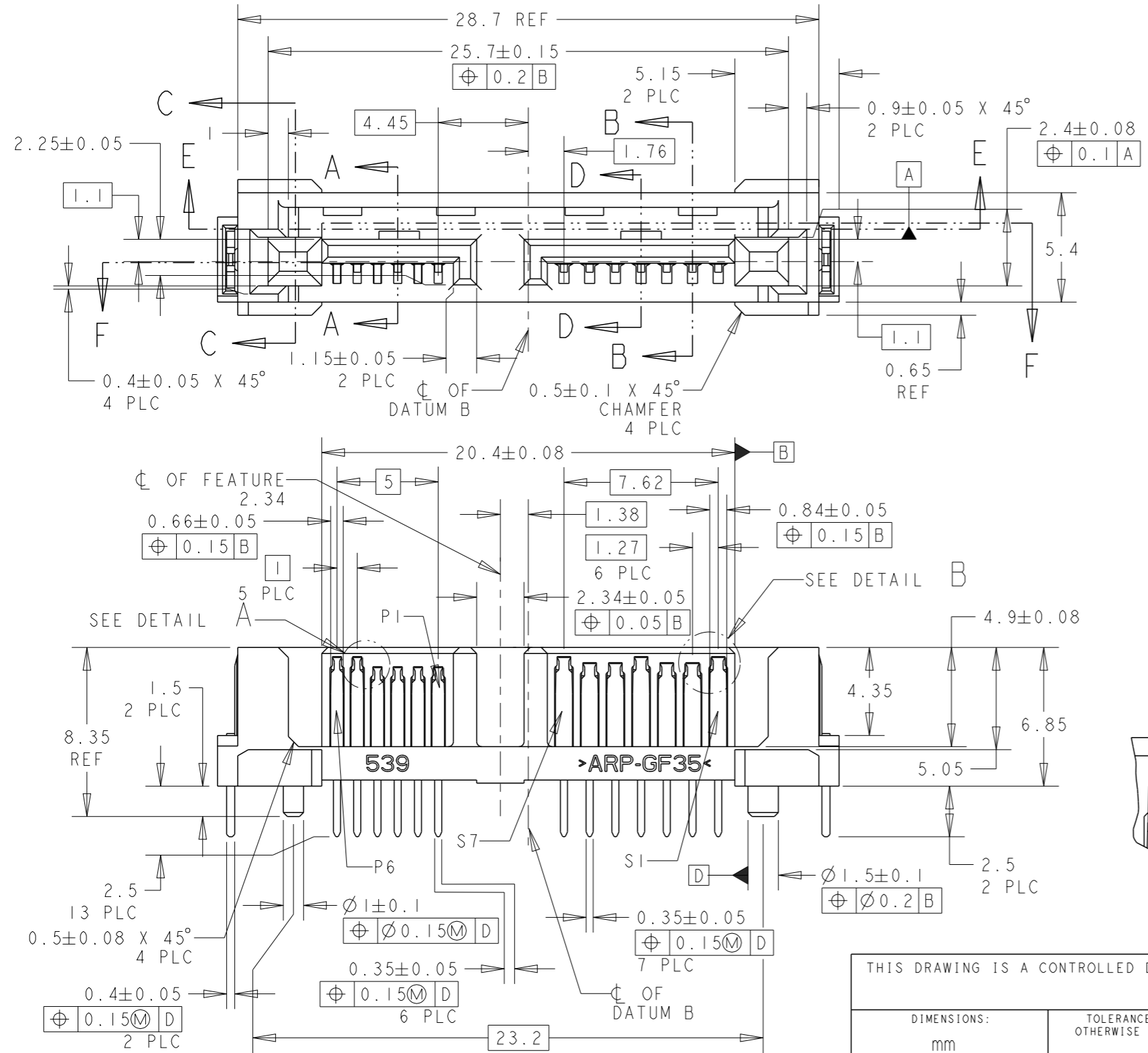
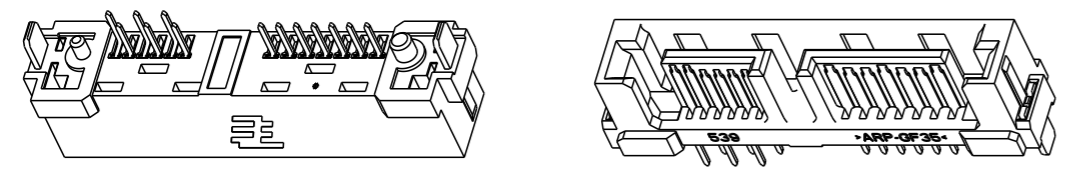
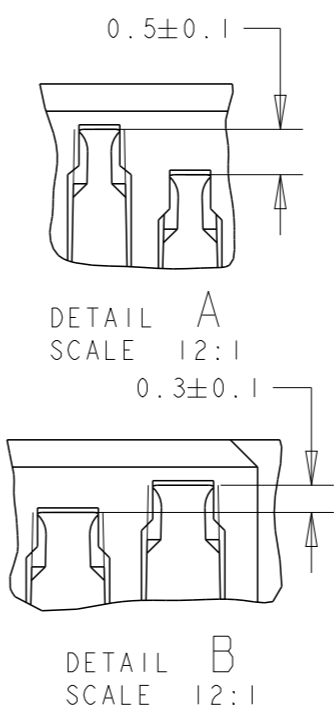
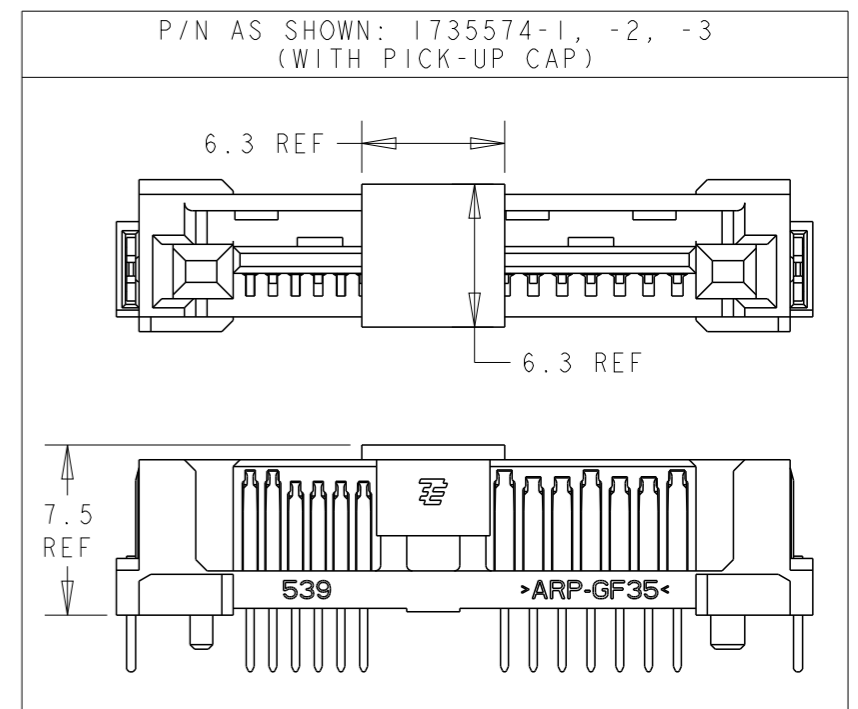
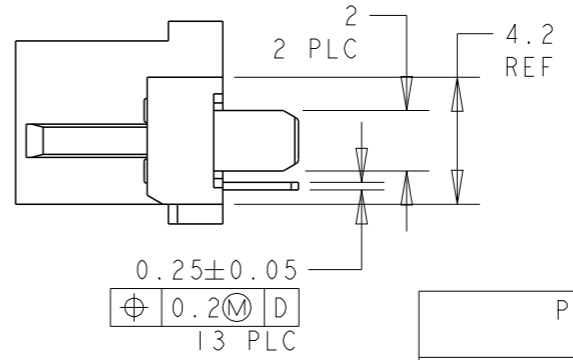


THIS DRAWING IS UNPUBLISHED. RELEASED FOR PUBLICATION 20
 © COPYRIGHT 20 BY - ALL RIGHTS RESERVED.

LOC	DIST	REVISIONS			
P	LTR	DESCRIPTION	DATE	DWN	APVD
DY	-	A3	REVISED (ECR-13-001920)	02JUL2013	B.W H.K



NOTES:
 1 MATERIAL:
 HOUSING: HIGH TEMP THERMOPLASTIC, UL94 V-0, BLACK
 CONTACT: COPPER ALLOY
 SOLDER PEG: COPPER ALLOY
 2 FINISH:
 CONTACT: "A" MIN GOLD PLATING AT MATING SIDE AND 0.05µm MIN GOLD PLATING AT SOLDER TAIL, WITH 1.27µm MIN NICKEL UNDERPLATING ALL OVER
 SOLDER PEG: 2.54µm MIN TIN PLATING AT SOLDERING SURFACE WITH 1.27µm MIN NICKEL UNDERPLATING ALL OVER

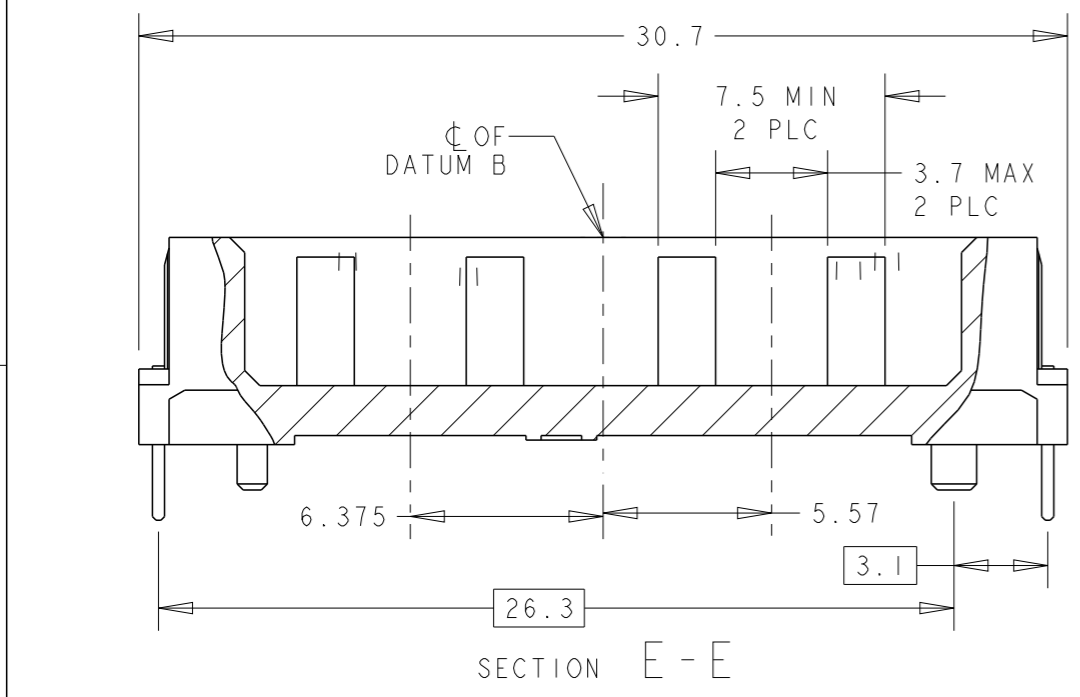
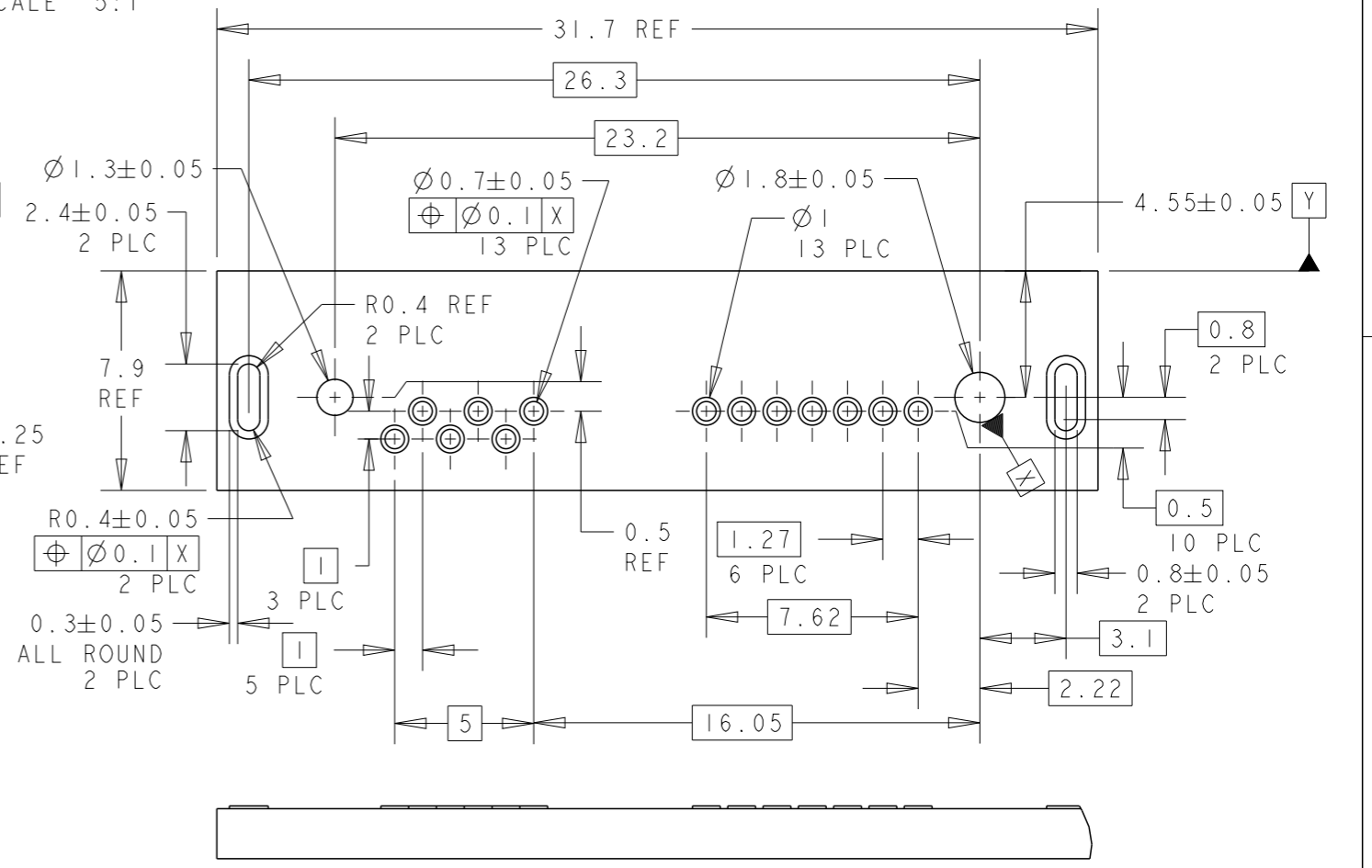
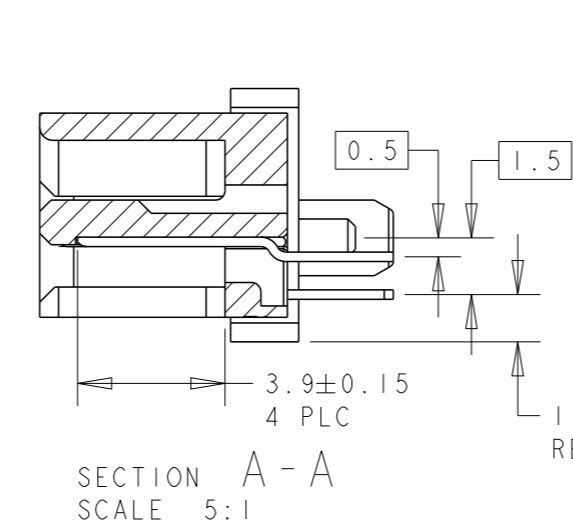
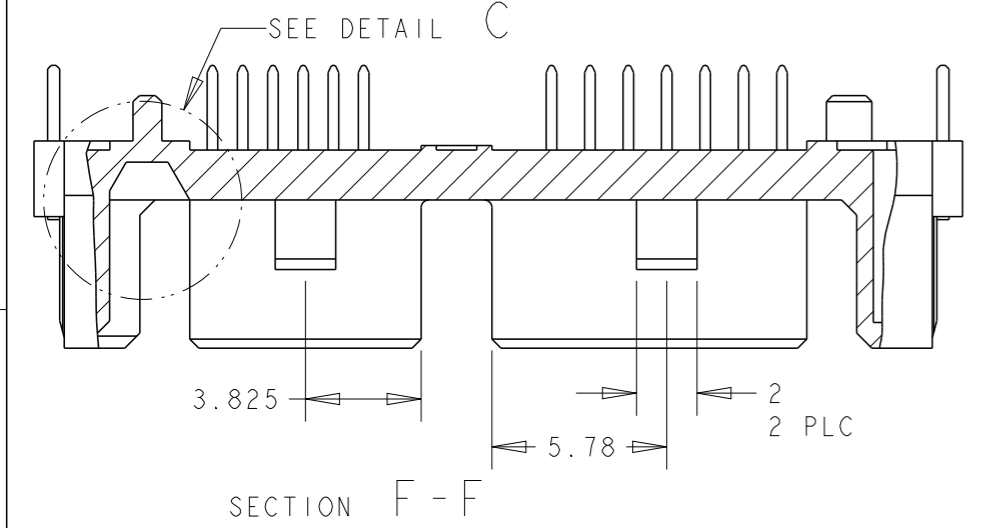
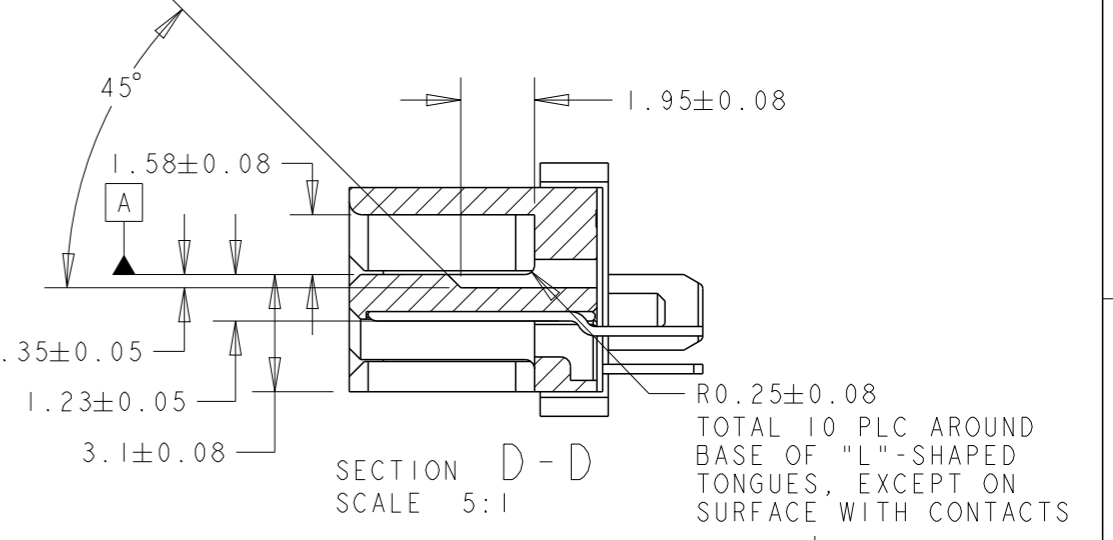
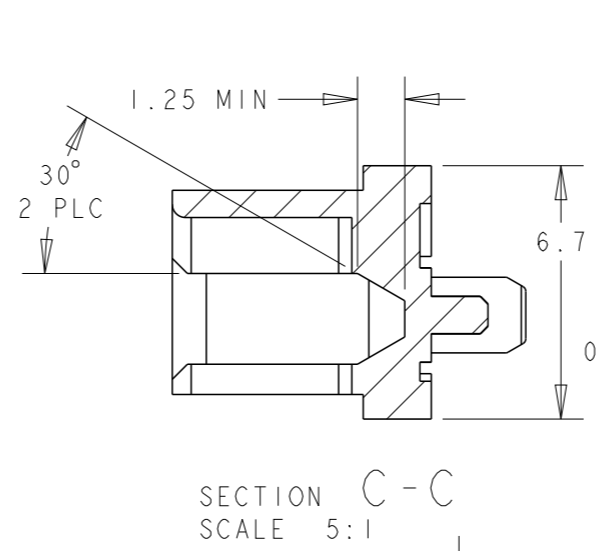
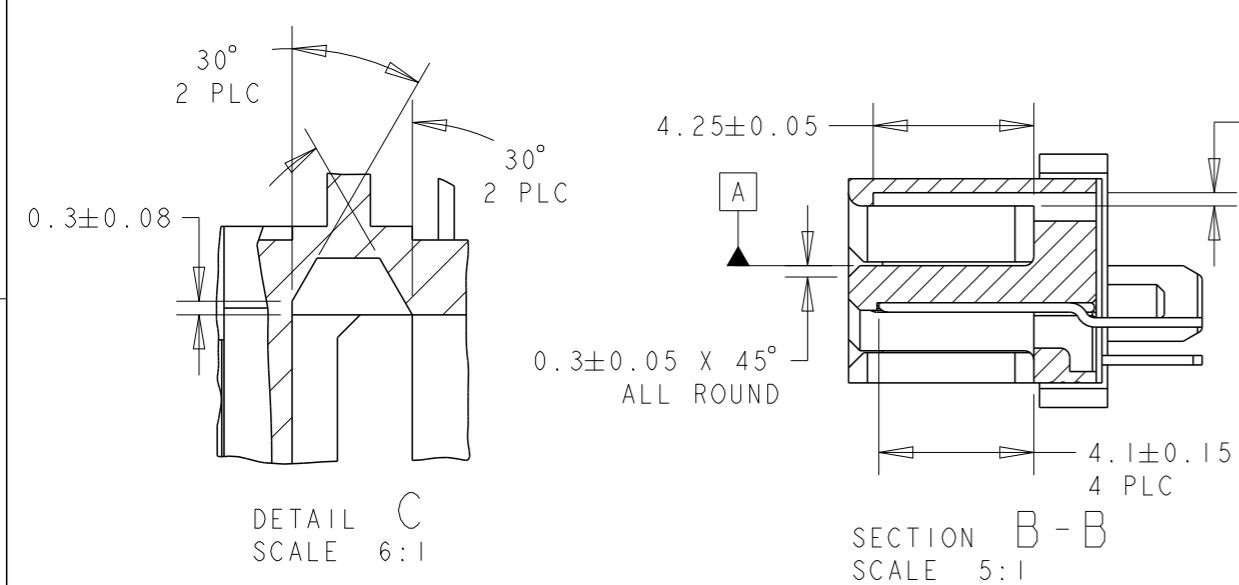


	0.76µm	1735574-3
	0.38µm	1735574-2
OBSOLETE	0.05µm	1735574-1
	"A"	PART NO.

THIS DRAWING IS A CONTROLLED DOCUMENT.		DWN	KW YAP		12MAY2008	 TE Connectivity	NAME - ASSEMBLY SLIMLINE SATA PLUG 7P+6P VERTICAL, THRU-HOLE				
DIMENSIONS: mm		CHK	SF LEONG		02JUL2013						
TOLERANCES UNLESS OTHERWISE SPECIFIED:		APVD	SF LEONG		02JUL2013						
0 PLC ±0.2 1 PLC ±0.2 2 PLC ±0.2 3 PLC ±0.2 4 PLC ±0.2 ANGLES ±° FINISH		PRODUCT SPEC	-		APPLICATION SPEC			SIZE	CAGE CODE	DRAWING NO	RESTRICTED TO
MATERIAL	1	WEIGHT	-			A3	00779	C=1735574			
CUSTOMER DRAWING		SCALE		4:1		SHEET		1 OF 3		REV	A3

THIS DRAWING IS UNPUBLISHED. RELEASED FOR PUBLICATION 20
 © COPYRIGHT 20 BY - ALL RIGHTS RESERVED.

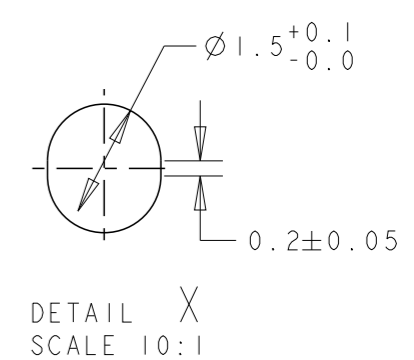
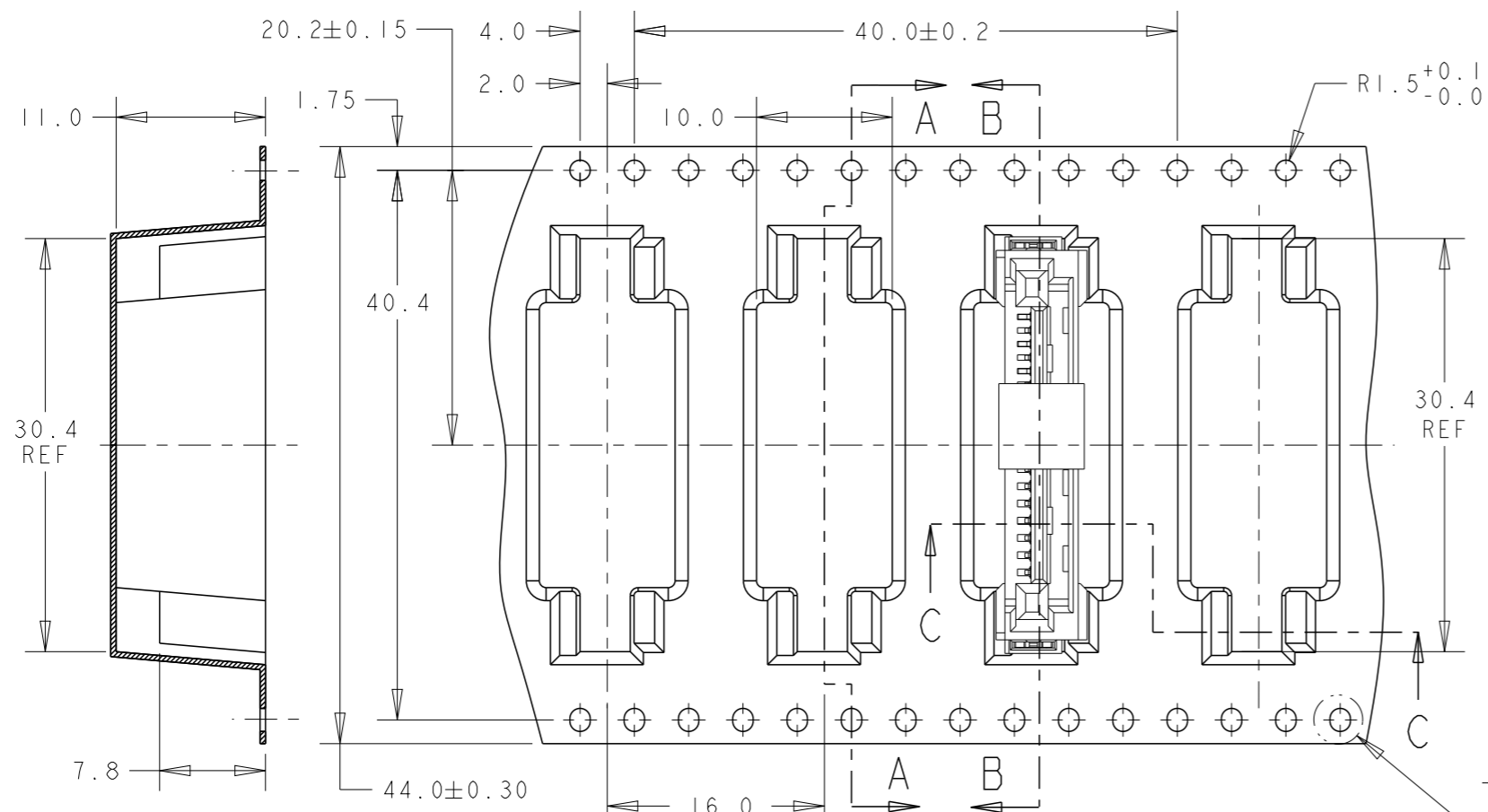
LOC	DIST	REVISIONS			
P	LTR	DESCRIPTION	DATE	DWN	APVD
DY	-	SEE SHEET 1			



RECOMMENDED PCB LAYOUT

THIS DRAWING IS A CONTROLLED DOCUMENT.		DWN KW YAP	12MAY2008	TE Connectivity	
DIMENSIONS: mm		CHK SF LEONG	02JUL2013		
TOLERANCES UNLESS OTHERWISE SPECIFIED:		APVD SF LEONG	02JUL2013	NAME	
0 PLC ±0.2 1 PLC ±0.2 2 PLC ±0.2 3 PLC ±0.2 4 PLC ±0.2 ANGLES ±°		PRODUCT SPEC		ASSEMBLY SLIMLINE SATA PLUG 7P+6P VERTICAL, THRU-HOLE	
MATERIAL		WEIGHT		SIZE	RESTRICTED TO
FINISH		-		A3	-
				CAGE CODE	DRAWING NO
-		-		000779	1735574
CUSTOMER DRAWING				SCALE	SHEET
-				4:1	2 OF 3
-				REV	A3

SEE SHEET 1

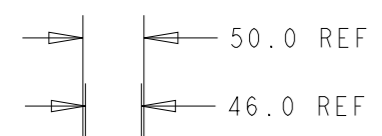
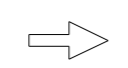


SECTION B-B (WITH & W/O PART)

0.50±0.05 (BEFORE FORMING)

SEE DETAIL X

CUSTOMER DE-REEL DIRECTION



WIND COVER TAPE AROUND OUTER PERIPHERY 1 TURN

SECTION C-C

LEADER LENGTH 450mm (W/O CHARGE)

WITH PRODUCT CHARGE

NOTES:

- 1. ALL DIMENSIONS IN MM UNLESS OTHERWISE STATED
- 2. MATERIAL: PS CLEAR, 0.5±0.05mm THICKNESS (BEFORE FORMING)
- 3. DELIVER IN PLASTIC REEL: 375 POCKETS/REEL (300 COMPONENTS/REEL)

PEELING STRENGTH: 0.2N TO 0.7N
 PEELING ANGLE: 165° TO 180°
 PEELING SPEED: 300mm/MINUTE

THIS DRAWING IS A CONTROLLED DOCUMENT.

DIMENSIONS:	TOLERANCES UNLESS OTHERWISE SPECIFIED:
mm	
	0 PLC ±0.2
	1 PLC ±0.2
	2 PLC ±0.2
	3 PLC ±0.2
	4 PLC ±-
	ANGLES ±2°
MATERIAL	FINISH
	-

DWN	KW YAP	12MAY2008
CHK	SF LEONG	02JUL2013
APVD	SF LEONG	02JUL2013
PRODUCT SPEC	-	
APPLICATION SPEC	-	
WEIGHT	-	
CUSTOMER DRAWING		

		TE Connectivity	
NAME			
-			
ASSEMBLY SLIMLINE SATA PLUG 7P+6P VERTICAL, THRU-HOLE			
SIZE	CAGE CODE	DRAWING NO	RESTRICTED TO
A3	00779	C-1735574	-
SCALE 4:1		SHEET 3 OF 3	REV A3

X-ON Electronics

Largest Supplier of Electrical and Electronic Components

Click to view similar products for [I/O Connectors](#) category:

Click to view products by [TE Connectivity](#) manufacturer:

Other Similar products are found below :

[571763P](#) [58098-0628](#) [72.250.1628.2](#) [72.250.2428.2](#) [74720-0505](#) [76.350.0729.0](#) [76871-1403](#) [FCN-244F080-G/1](#) [FCN-260A9920](#) [PCR-E36PM](#) [PCS-XE26MA+](#) [G38A71314B](#) [1571250010](#) [157-22500-3](#) [MS3471L14-19P L/C](#) [172501-4002](#) [172501-6002](#) [FCN-260C008-A/L0](#) [FCN-260C024-AL0](#) [FCN-261Z008](#) [2000314-1](#) [200331-1](#) [PCR-E36FC+](#) [PCS-E28FS+](#) [PCS-XE26SLFD+](#) [PCS-XE26SLFDT+](#) [G730VID08BDC24](#) [U90B2054081210](#) [38113800006](#) [DP3AR020WQ1R200](#) [Z4.102.0680.0](#) [500-1040](#) [500-1052](#) [500-1054](#) [ZP-4008-66L](#) [0709821002](#) [DX40-20P\(55\)](#) [5554841-1](#) [MS3474W18-8P-LC*](#) [U90B3054061110](#) [U65-E04-4020](#) [ZPF000000000097891](#) [747360449](#) [10099439-003C-TRLF](#) [10137239-0021LF](#) [E9320-001-01](#) [10137239-0011LF](#) [70289-001LF](#) [70.060.1028.0](#) [109029-ZZ](#)