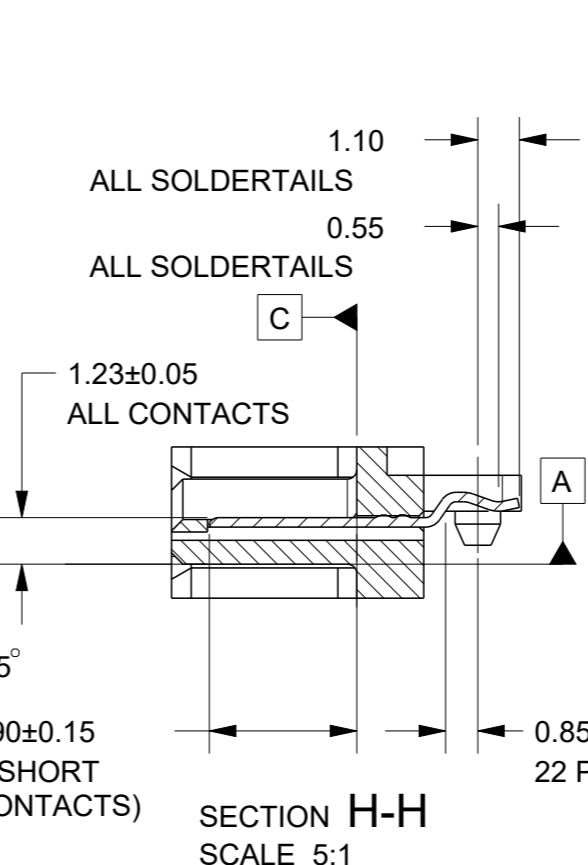
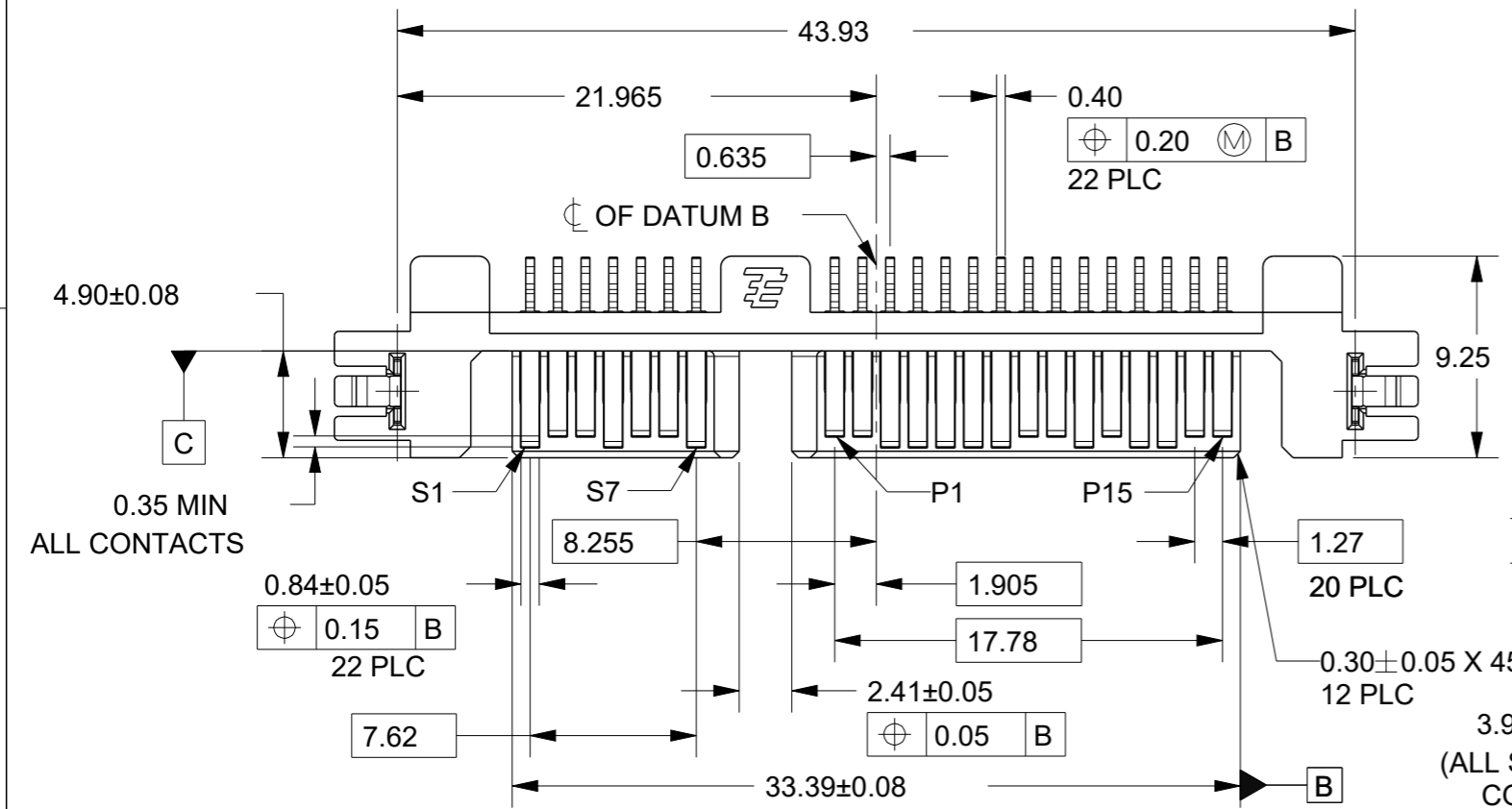


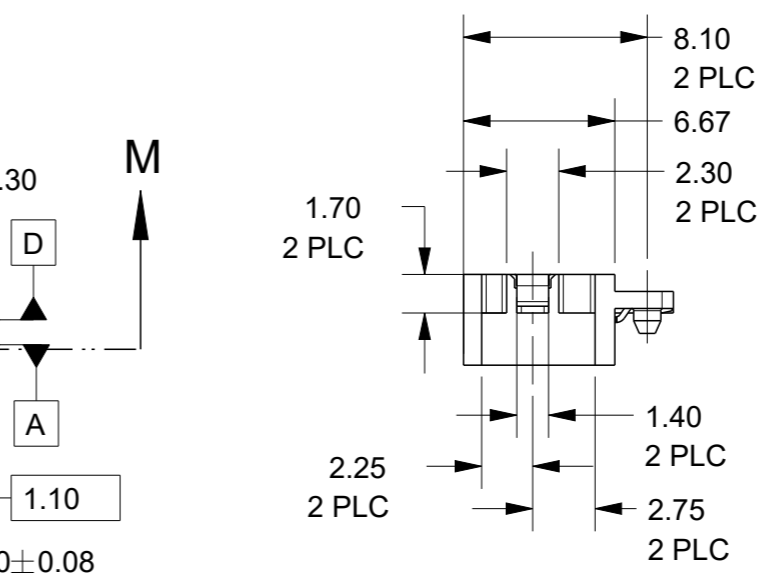
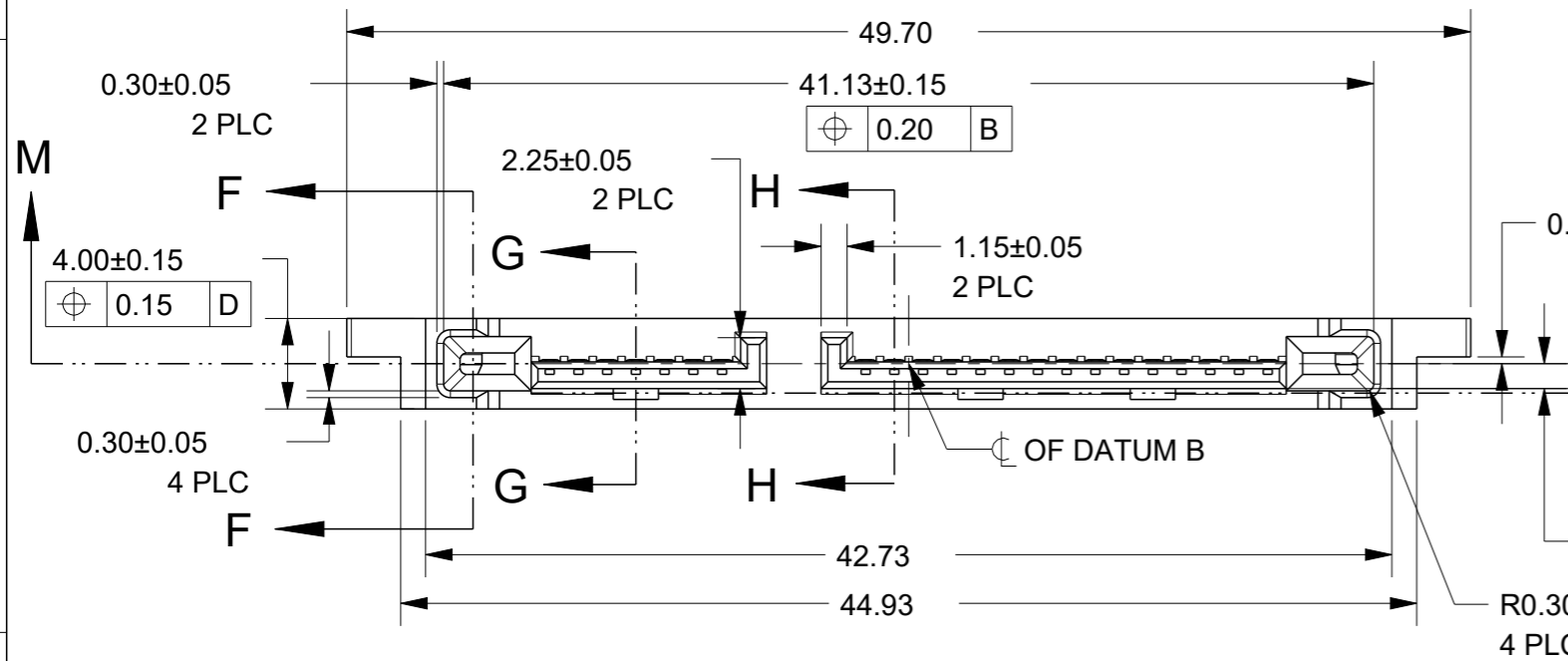
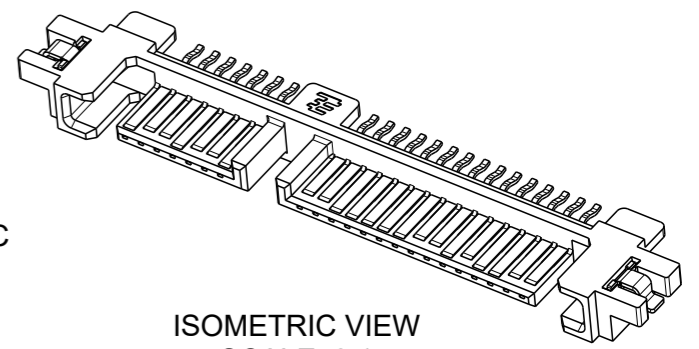
THIS DRAWING IS UNPUBLISHED. RELEASED FOR PUBLICATION
 © COPYRIGHT ALL RIGHTS RESERVED.

| LOC | DIST | REVISIONS | | | | | |
|-----|------|-----------|-----|-----------------------|-----------|-----|------|
| DY | - | P | LTR | DESCRIPTION | DATE | DWN | APVD |
| | | C2 | | REVISED ECR-20-016788 | 22MAR2021 | EZ | NS |



NOTES:

- MATERIAL**
 HOUSING: HIGH TEMPERATURE THERMOPLASTICS, GLASS FILLED, BLACK, UL94V-0, REGRIND 25% MAXIMUM
 CONTACT: COPPER ALLOY
 SOLDER PEG: COPPER ALLOY
- FINISH**
 CONTACT: "A" MIN GOLD ON MATING AREA AND 2.54µm MIN MATTE TIN (LEAD-FREE) ON SOLDER AREA
 BOTH OVER 1.27µm MIN NICKEL ENTIRE
 SOLDER PEG: 2.54µm MIN TIN (LEAD-FREE) OVER 1.27µm MIN NICKEL ENTIRE
- CAVITY NO LOCATED AT APPROXIMATE AREA AS SHOWN**
- DATE CODE**



| | | |
|-----|--------|-----------|
| EOL | 0.76µm | 1735783-3 |
| EOL | 0.38µm | 1735783-2 |
| EOL | 0.05µm | 1735783-1 |
| | "A" | PART NO. |

P/N:1735783-1,-2,-3 AS SHOWN

| | | | | | | |
|---|--|------------------------------|---|--------------------|-------------------------|--------------------|
| THIS DRAWING IS A CONTROLLED DOCUMENT. | | DWN JASON CHOW 05JAN09 | | | | |
| DIMENSIONS: mm | | CHK AP TAY | | | | |
| TOLERANCES UNLESS OTHERWISE SPECIFIED: | | APVD SF LEONG | NAME SLIMLITE SATA PLUG, 15+7P, SMT | | | |
| 0 PLC ±- 1 PLC ±0.20 2 PLC ±0.20 3 PLC ±0.20 4 PLC ±- ANGLES ±2° | | PRODUCT SPEC 108-51052 | SIZE A3 | CAGE CODE 00779 | DRAWING NO C-1735783 | RESTRICTED TO - |
| MATERIAL 1 | | FINISH 2 | WEIGHT 1.43g | SCALE 3:1 | SHEET 1 OF 3 | REV C2 |
| CUSTOMER DRAWING | | | | | | |

4

3

2

1

THIS DRAWING IS UNPUBLISHED.

RELEASED FOR PUBLICATION

© COPYRIGHT

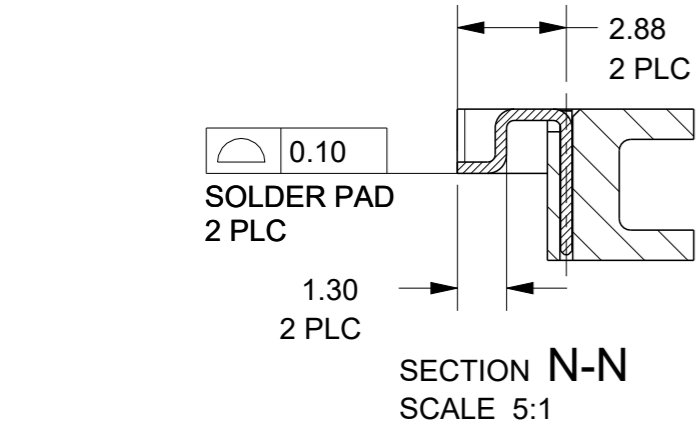
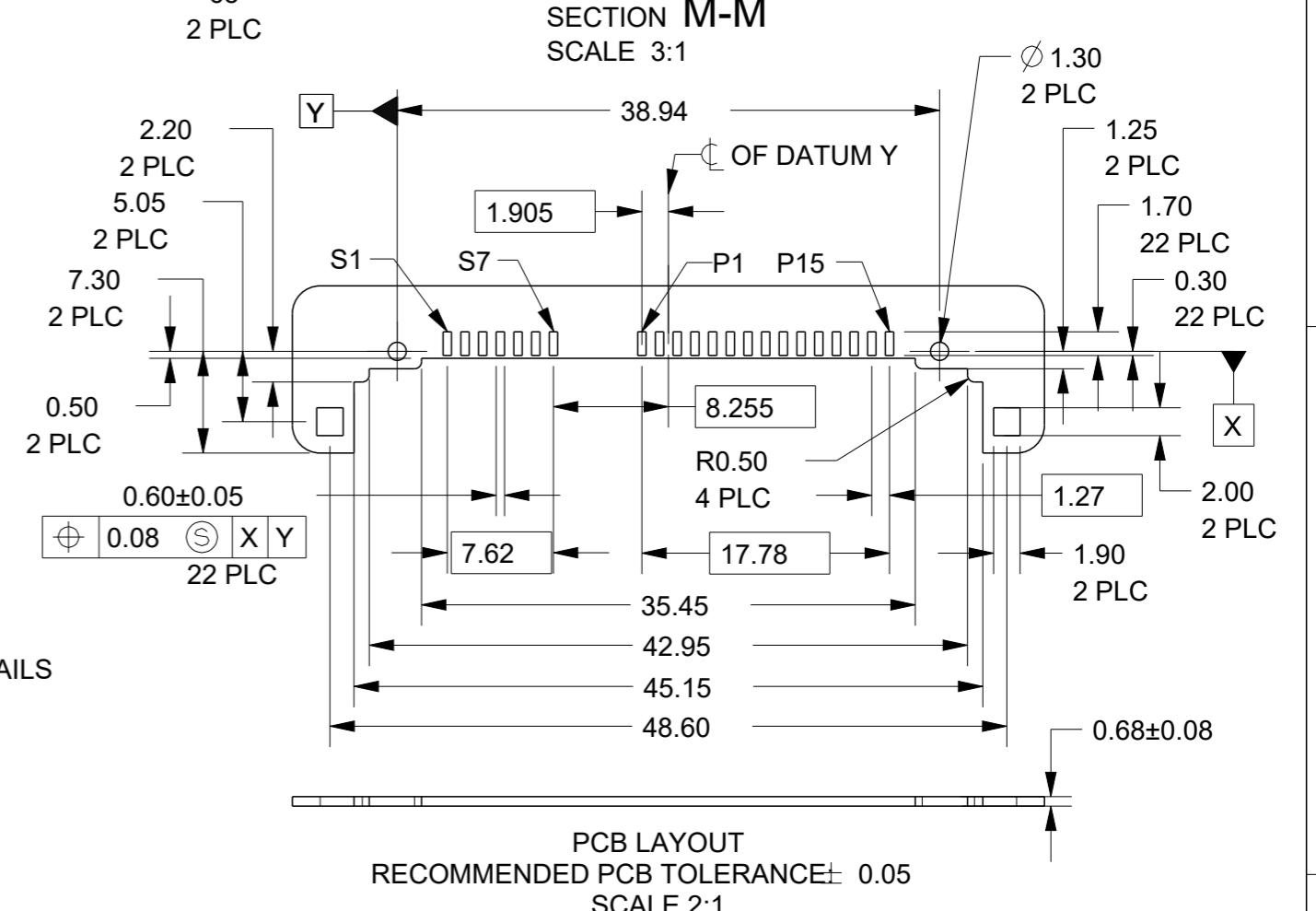
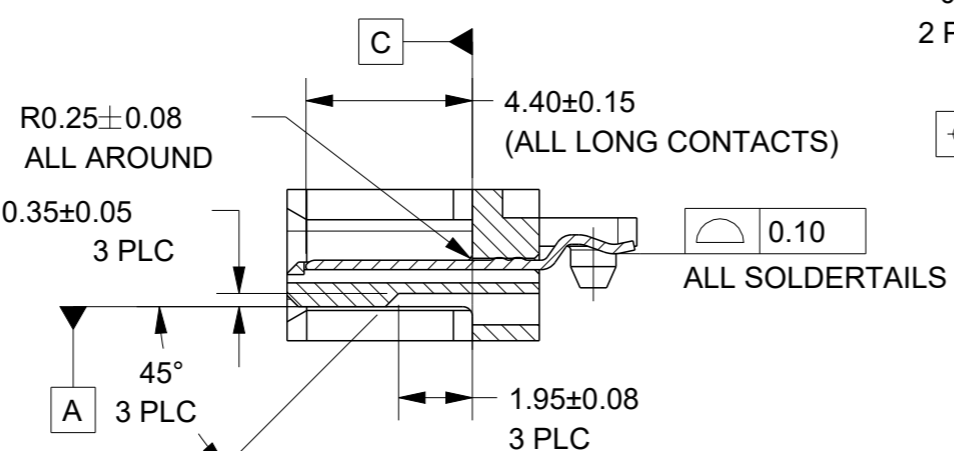
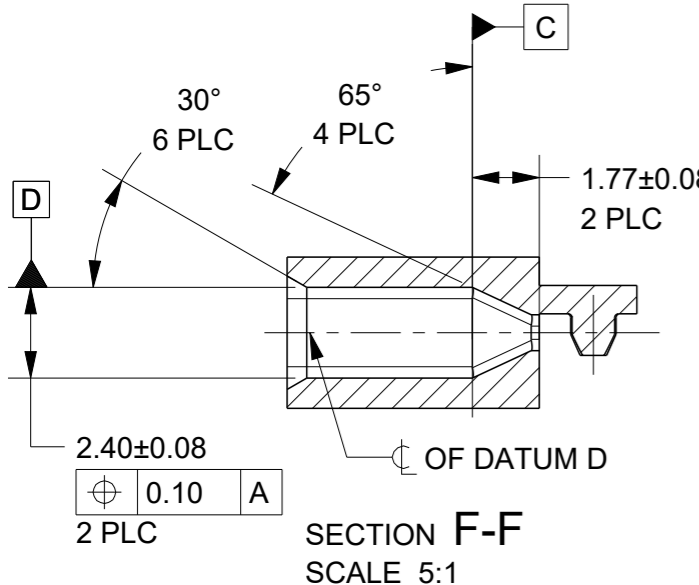
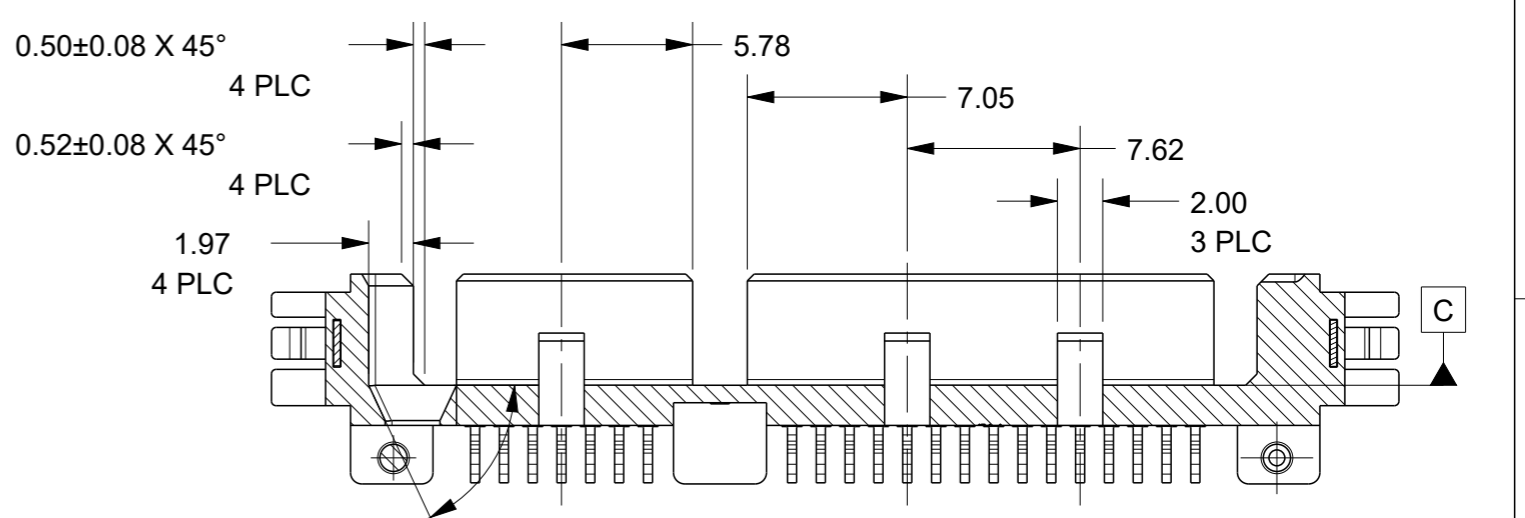
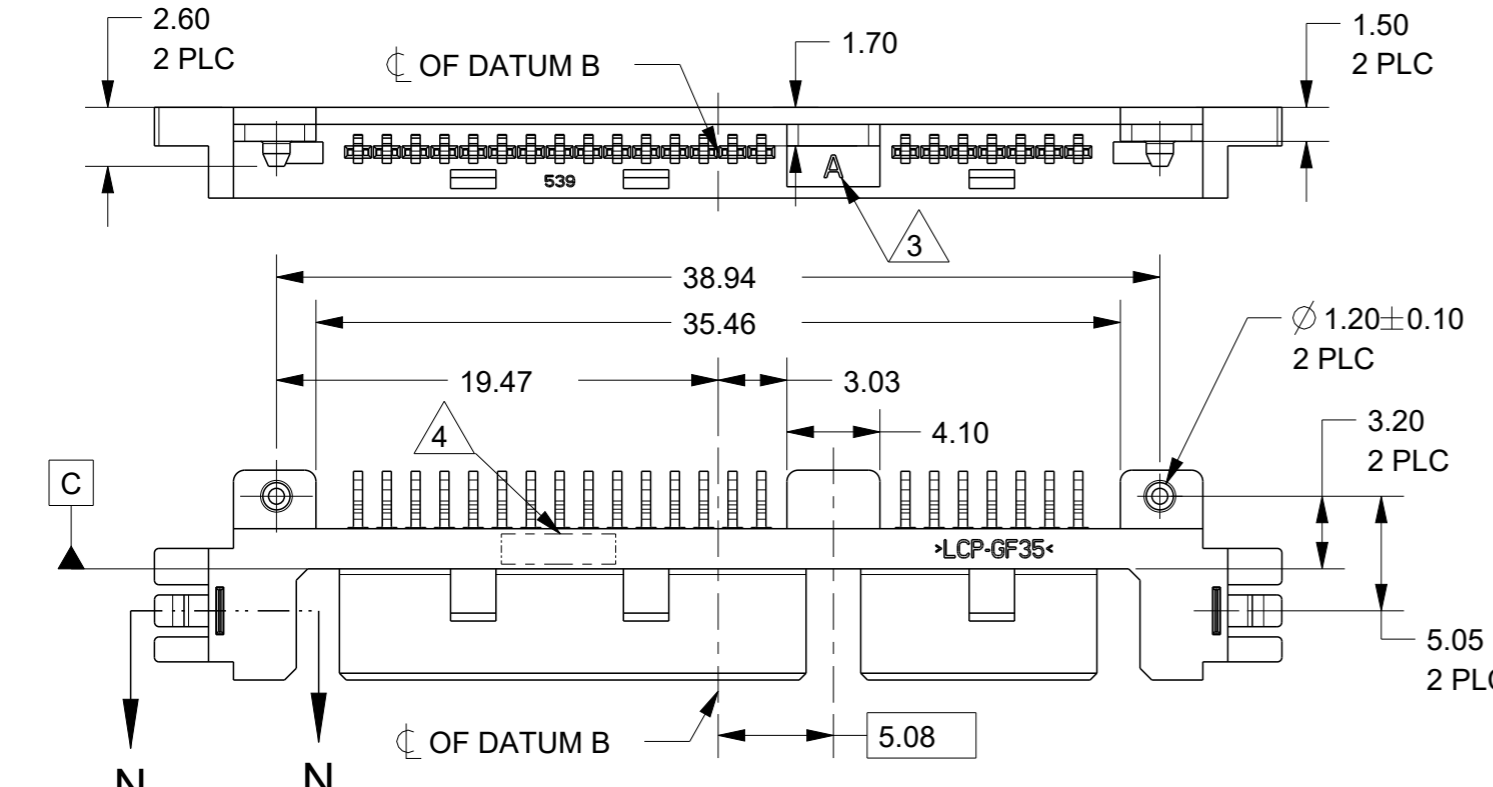
ALL RIGHTS RESERVED.

LOC
DY

DIST
-

REVISIONS

| P | LTR | DESCRIPTION | DATE | DWN | APVD |
|---|-----|-------------|------|-----|------|
| | | SEE SHEET 1 | | | |



P/N:1735783-1,-2,-3 AS SHOWN

| | | | | | | | | | | | | | | | | | |
|--|-------------|------------------------------|--|-------------------|--------------------|-------|-------|-------|-------|-------|----|--------|-----|-------------------|-----------------------|-------------------------|--------------------|
| THIS DRAWING IS A CONTROLLED DOCUMENT. | | DWN JASON CHOW 05JAN09 | TE Connectivity SLIMLITE SATA PLUG, 15+7P, SMT | | | | | | | | | | | | | | |
| DIMENSIONS: mm | | CHK AP TAY | | | | NAME | | | | | | | | | | | |
| TOLERANCES UNLESS OTHERWISE SPECIFIED: | | APVD SF LEONG | PRODUCT SPEC 108-51052 | SIZE A3 | CAGE CODE 00779 | | | | | | | | | | | | |
| <table border="0"> <tr><td>0 PLC</td><td>±-</td></tr> <tr><td>1 PLC</td><td>±0.20</td></tr> <tr><td>2 PLC</td><td>±0.20</td></tr> <tr><td>3 PLC</td><td>±0.20</td></tr> <tr><td>4 PLC</td><td>±-</td></tr> <tr><td>ANGLES</td><td>±2°</td></tr> </table> | | 0 PLC | ±- | 1 PLC | ±0.20 | 2 PLC | ±0.20 | 3 PLC | ±0.20 | 4 PLC | ±- | ANGLES | ±2° | PRODUCT SPEC - | APPLICATION SPEC - | DRAWING NO C-1735783 | RESTRICTED TO - |
| 0 PLC | ±- | | | | | | | | | | | | | | | | |
| 1 PLC | ±0.20 | | | | | | | | | | | | | | | | |
| 2 PLC | ±0.20 | | | | | | | | | | | | | | | | |
| 3 PLC | ±0.20 | | | | | | | | | | | | | | | | |
| 4 PLC | ±- | | | | | | | | | | | | | | | | |
| ANGLES | ±2° | | | | | | | | | | | | | | | | |
| MATERIAL 1 | FINISH 2 | WEIGHT 1.43g | SCALE 3:1 | SHEET 2 OF 3 | REV C2 | | | | | | | | | | | | |
| CUSTOMER DRAWING | | | | | | | | | | | | | | | | | |

4

3

2

1

THIS DRAWING IS UNPUBLISHED.

RELEASED FOR PUBLICATION

© COPYRIGHT

ALL RIGHTS RESERVED.

LOC
DY

DIST
-

REVISIONS

| P | LTR | DESCRIPTION | DATE | DWN | APVD |
|---|-----|-------------|------|-----|------|
| | | SEE SHEET 1 | | | |

2.00
4.00
40.00
1.75
0.40
50.10
68.40
34.20
72.00±0.30
5.10

A
B

SECTION A-A

16.00
11.70

SECTION B-B
SCALE 2:1

CUSTOMER DE-REEL DIRECTION

2.00
8.00
16.00
4.25
0.70

OF DATUM B

CONNECTOR WITH PICK-UP CAP
SCALE 2:1

PLASTIC REEL DETAILS

74.00 REF
78.00 REF
Ø 330 REF
Ø 100 REF

CUSTOMER DE-REEL DIRECTION

NOTES:

- ALL DIMENSIONS IN MM UNLESS OTHERWISE STATED.
- 2** MATERIAL: PS CLEAR, 0.40±0.05 THICKNESS (BEFORE REFORM).
- GENERAL TOLERANCE: ±0.20MM UNLESS OTHERWISE STATED.
DRAFT ANGLE: 5° (MAX) UNLESS OTHERWISE STATED.
RADIUS: 0.25 (MAX) TYPE UNLESS OTHERWISE STATED.
- 4** ACCUMULATED TOLERANCES FOR PITCHES: ±0.20MM FOR 10 PITCHES.
- DELIVER IN PLASTICS REEL: 757 POCKETS/REEL (700 COMPONENTS/REEL)

| | | | | | |
|---|--|------------------------------|--|--------------------|-------------------------|
| THIS DRAWING IS A CONTROLLED DOCUMENT. | | DWN JASON CHOW 05JAN09 | P/N:1735783-1,-2,-3 AS SHOWN | | |
| DIMENSIONS: mm | | CHK AP TAY | TE Connectivity NAME SLIMLITE SATA PLUG, 15+7P, SMT | | |
| TOLERANCES UNLESS OTHERWISE SPECIFIED: | | APVD SF LEONG | | | |
| 0 PLC ±- 1 PLC ±0.20 2 PLC ±0.20 3 PLC ±0.20 4 PLC ±- ANGLES ±5° FINISH - | | PRODUCT SPEC 108-51052 | SIZE A3 | CAGE CODE 00779 | DRAWING NO C-1735783 |
| MATERIAL 2 | | APPLICATION SPEC - | WEIGHT 1.43g | RESTRICTED TO - | SCALE 3:1 |
| CUSTOMER DRAWING | | | SHEET 3 | OF 3 | REV C2 |

1470-19 (3/11)

X-ON Electronics

Largest Supplier of Electrical and Electronic Components

Click to view similar products for [I/O Connectors](#) category:

Click to view products by [TE Connectivity](#) manufacturer:

Other Similar products are found below :

[571763P](#) [58098-0628](#) [72.250.1628.2](#) [72.250.2428.2](#) [74720-0505](#) [76.350.0729.0](#) [76871-1403](#) [FCN-244F080-G/1](#) [FCN-260A9920](#) [PCR-E36PM](#) [PCS-XE26MA+](#) [G38A71314B](#) [DX40-50P\(55\)](#) [1571250010](#) [157-22500-3](#) [MS3471L14-19P L/C](#) [91-569786-35H](#) [172501-4002](#) [172501-6002](#) [FCN-260C008-A/L0](#) [FCN-260C024-AL0](#) [FCN-261Z008](#) [2000314-1](#) [200331-1](#) [PCR-E36FC+](#) [PCS-E28FS+](#) [PCS-XE26SLFD+](#) [PCS-XE26SLFDT+](#) [G730VID08BDC24](#) [U90B2054081210](#) [UE86K842720321](#) [38113800006](#) [DP3AR020WQ1R200](#) [Z4.102.0680.0](#) [500-1040](#) [500-1052](#) [500-1054](#) [ZP-4008-66L](#) [0709821002](#) [10-565995-597N](#) [DX40-20P\(55\)](#) [5554841-1](#) [MS3474W18-8P-LC*](#) [U90B3054061110](#) [U65-E04-4020](#) [ZPF000000000097891](#) [557-262M2-06C](#) [747360449](#) [10099439-003C-TRLF](#) [10137239-0021LF](#)