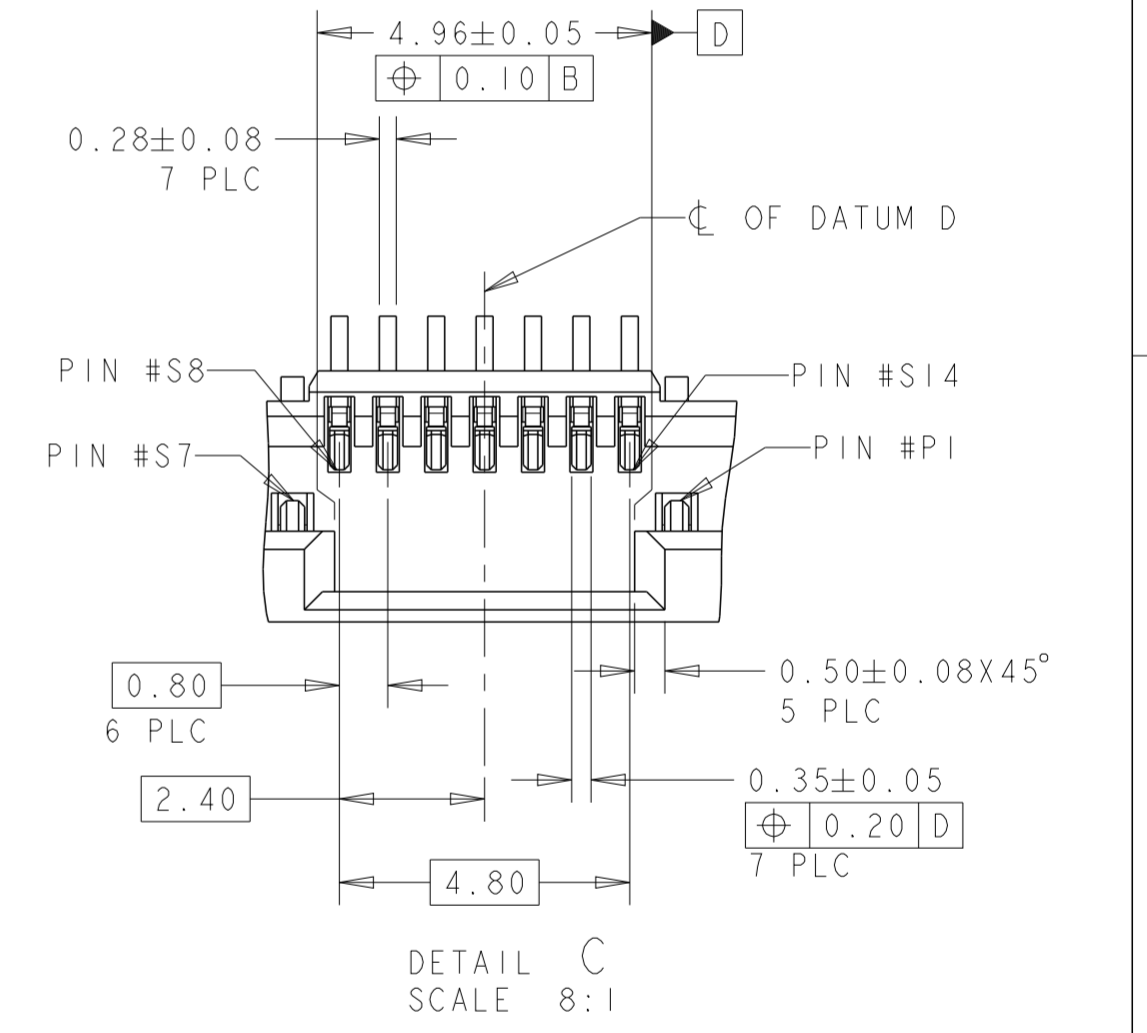
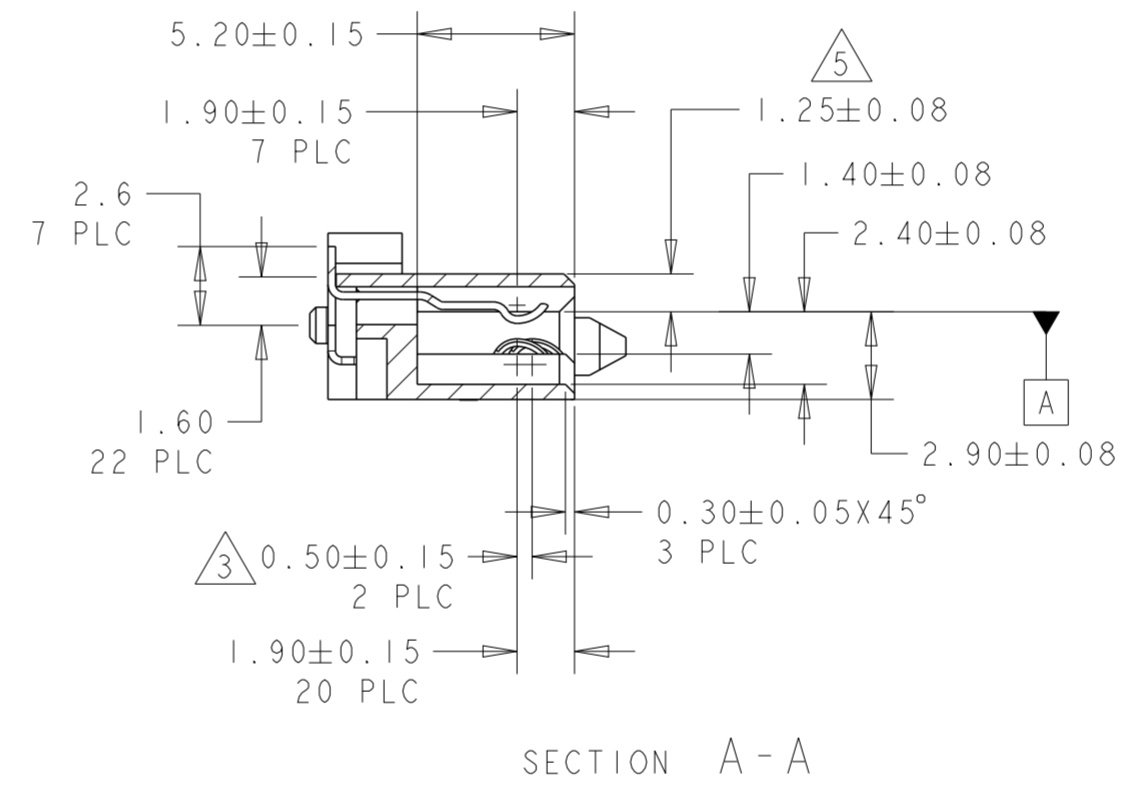
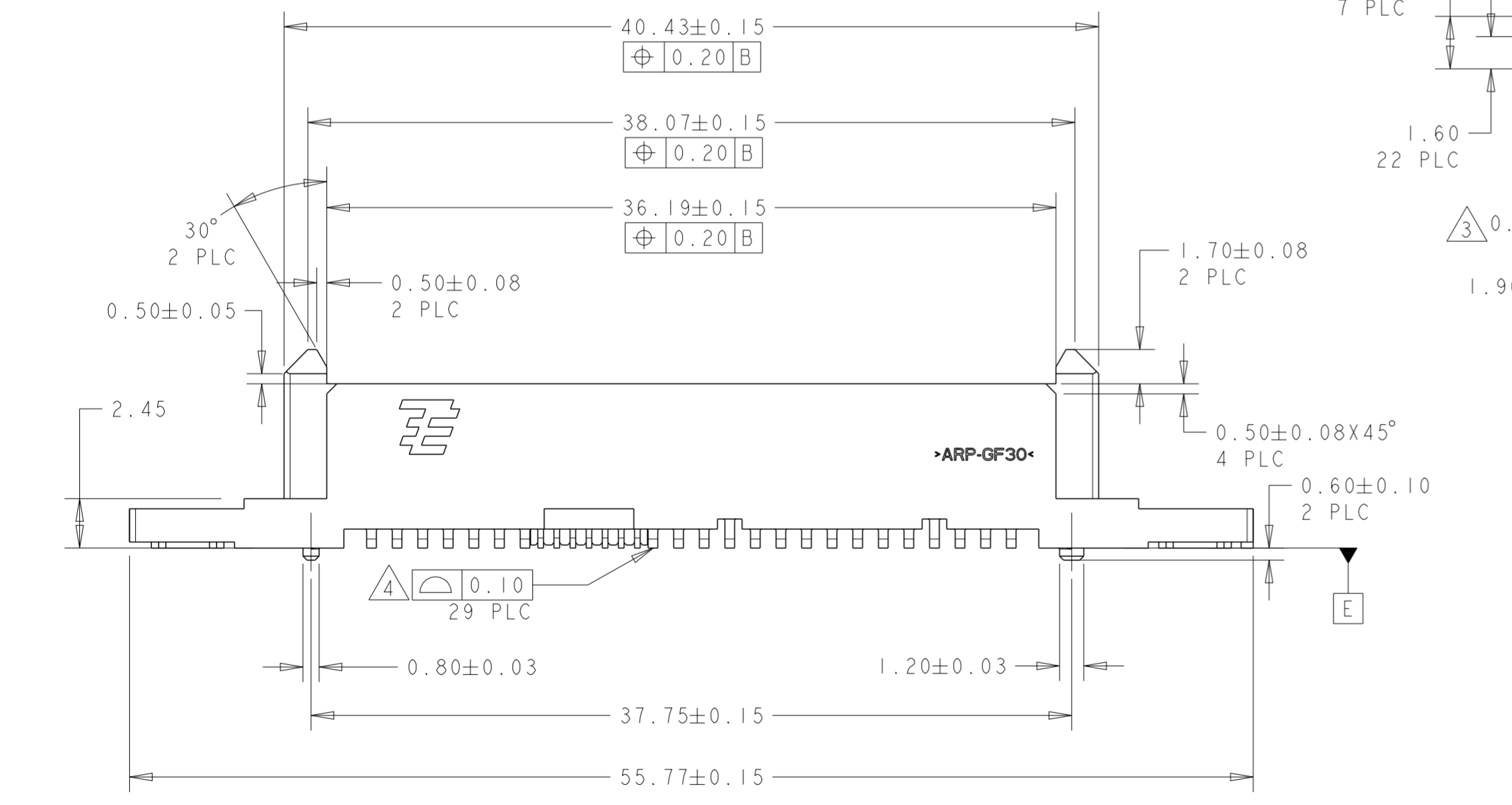
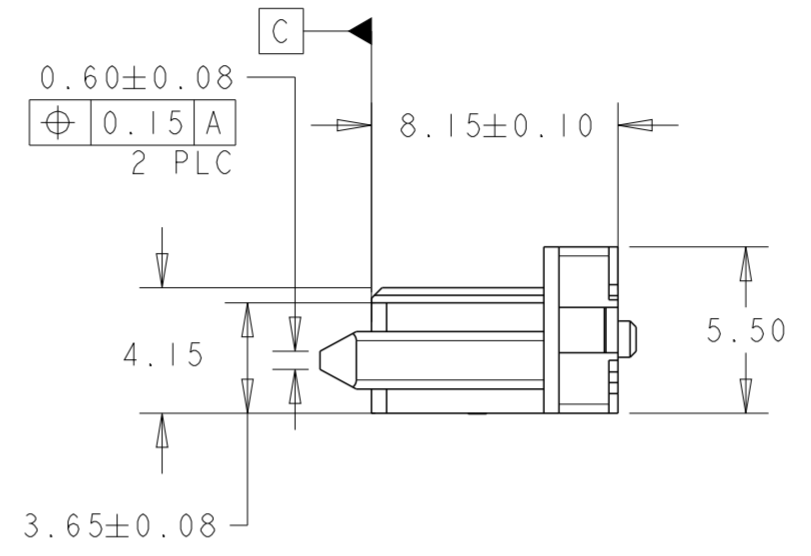
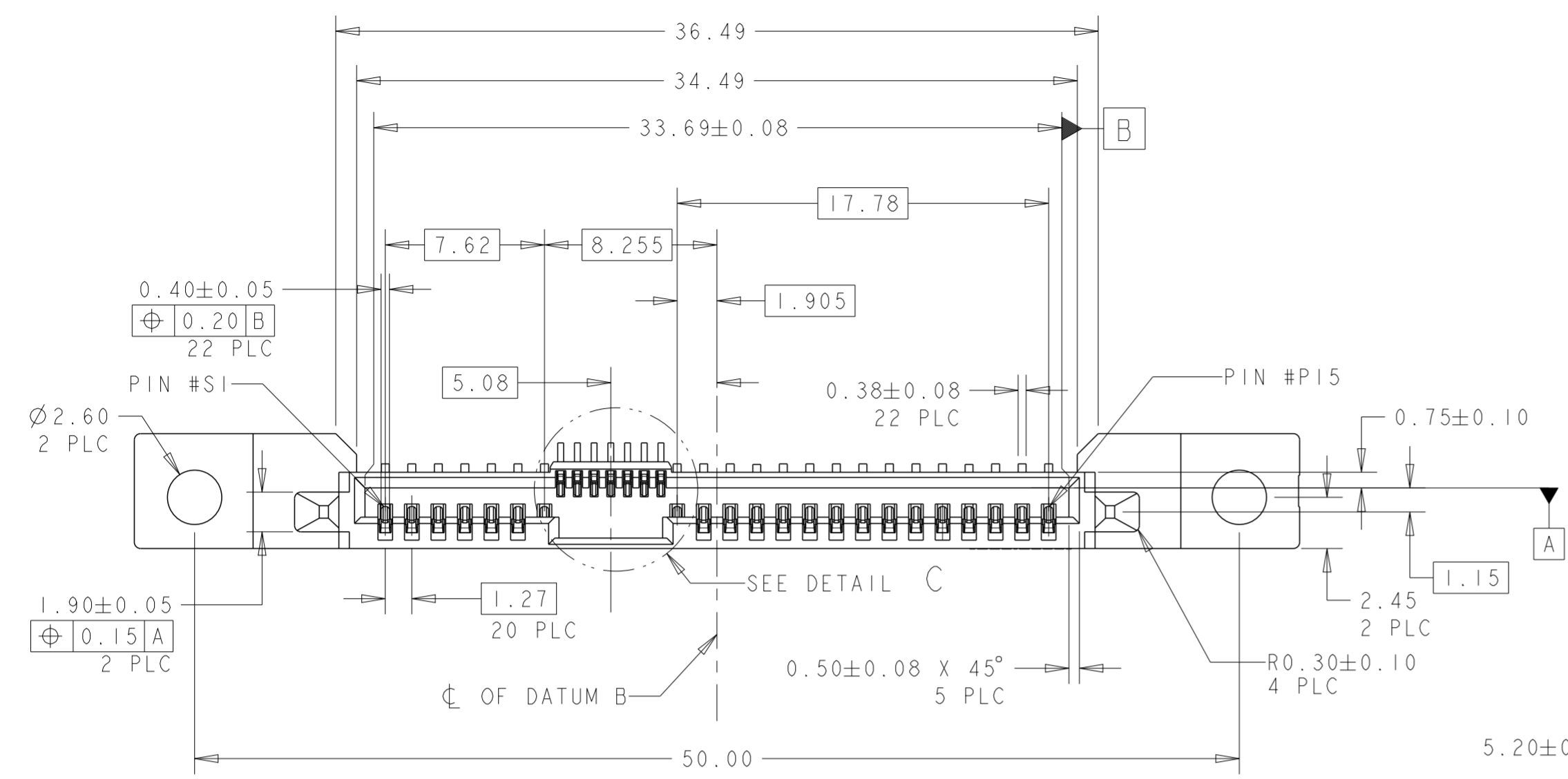


THIS DRAWING IS UNPUBLISHED. RELEASED FOR PUBLICATION 20  
 © COPYRIGHT 20 BY - ALL RIGHTS RESERVED.

REVISIONS					
P	LTR	DESCRIPTION	DATE	DWN	APVD
-	B	REVISED PER ECO-14-008073	30MAY2014	BL	JY



- NOTES:
- 1 MATERIAL:  
HOUSING: HIGH TEMP THERMOPLASTIC, UL94V-0,  
COLOR: BLACK  
CONTACT: COPPER ALLOY  
ROUND POST: BRASS
  - 2 FINISH:  
CONTACT AREA: MIN 0.76um GOLD PLATING  
SOLDERTAIL: MIN 2.54um MATTE TIN PLATING  
UNDERPLATE: MIN 1.27um NICKEL PLATING  
ROUND POST PLATING: MIN 2.54um TIN OVER  
MIN 1.27um NICKEL UNDERPLATE
  - 3 PIN #P4 AND #P12 ONLY
  - 4 SOLDERTAIL TO BE 0.05 MAX ABOVE AND  
0.10 MAX BELOW DATUM E
  - 5 1.33 MAX MEASURED AT DATUM C

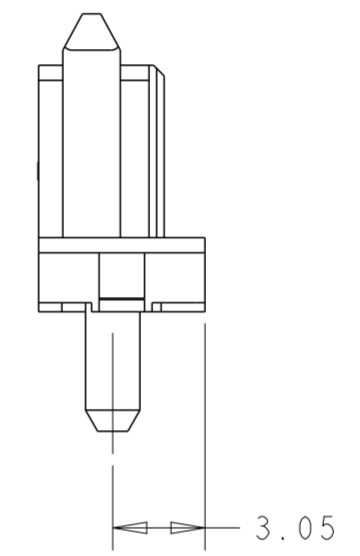
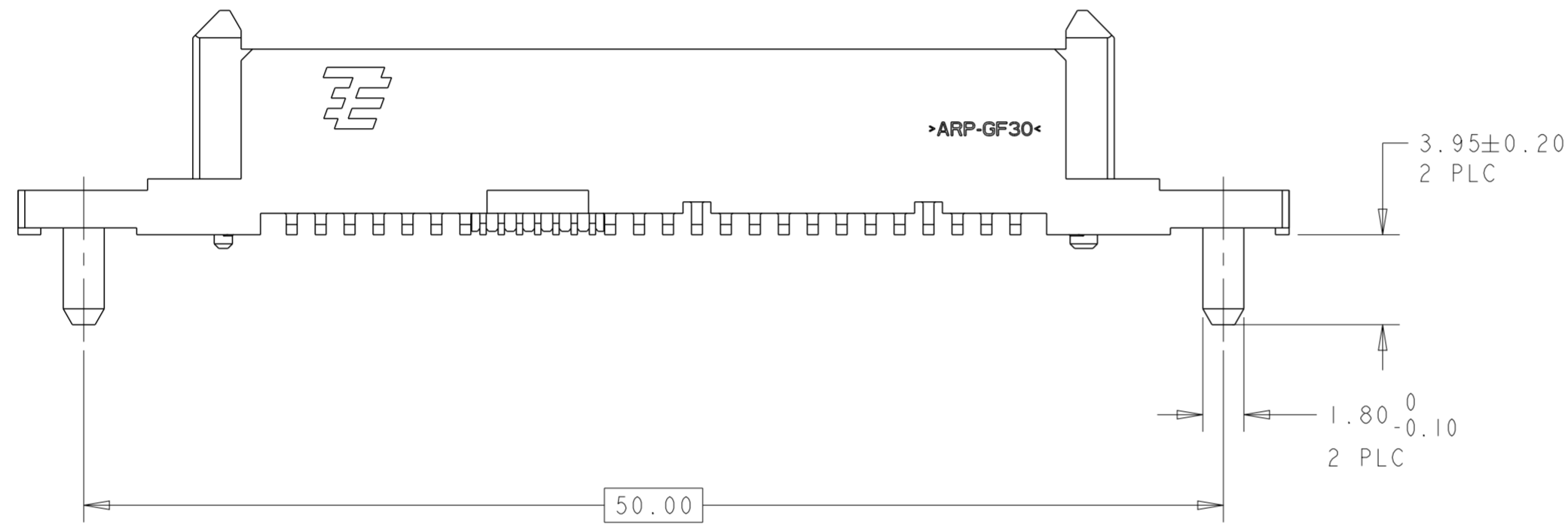
P/N: 1735869-1 AS SHOWN

WITH ROUND POST	1735869-2
WITHOUT ROUND POST	1735869-1
REMARK	PN

THIS DRAWING IS A CONTROLLED DOCUMENT.		DWN TY PANG 15MAR2011	TE Connectivity	
DIMENSIONS: mm		CHK SF LEONG 15MAR2011		
TOLERANCES UNLESS OTHERWISE SPECIFIED:		APVD SF LEONG 15MAR2011	NAME SAS BACKPLANE RECEPTACLE, VERTICAL, SMT, THROUGH HOLE FLANGE	
0 PLC ± 1 PLC ± 2 PLC ±0.20 3 PLC ± 4 PLC ± ANGLES ±3° FINISH		PRODUCT SPEC 108-51067	SIZE A2	
MATERIAL 1		APPLICATION SPEC -	CAGE CODE -	DRAWING NO 1735869
		WEIGHT -	RESTRICTED TO -	SCALE 4:1
		CUSTOMER DRAWING	SHEET 1	OF 3
			REV B	

THIS DRAWING IS UNPUBLISHED. RELEASED FOR PUBLICATION 20  
 © COPYRIGHT 20 BY - ALL RIGHTS RESERVED.

REVISIONS				
P	LTR	DESCRIPTION	DATE	APVD
-	-	SEE SHEET 1	-	-



1735869-2 AS SHOWN

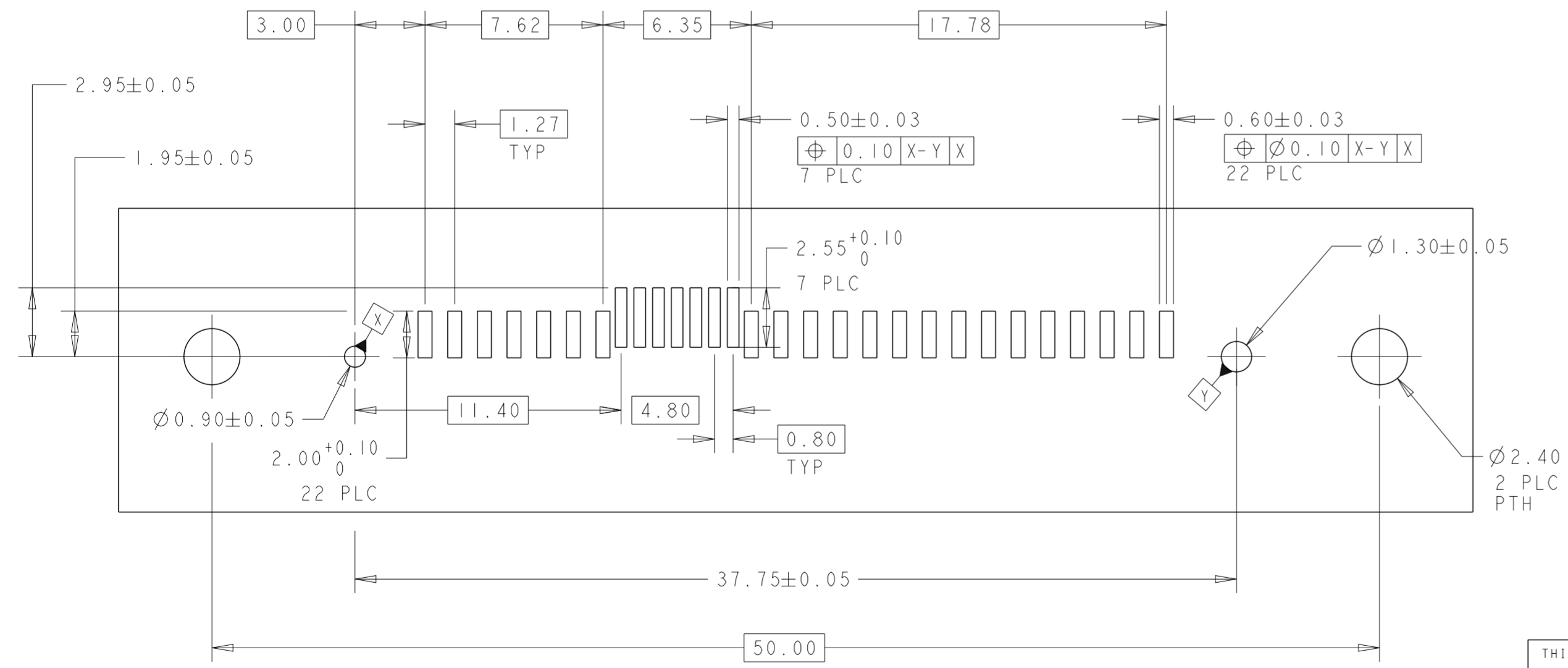
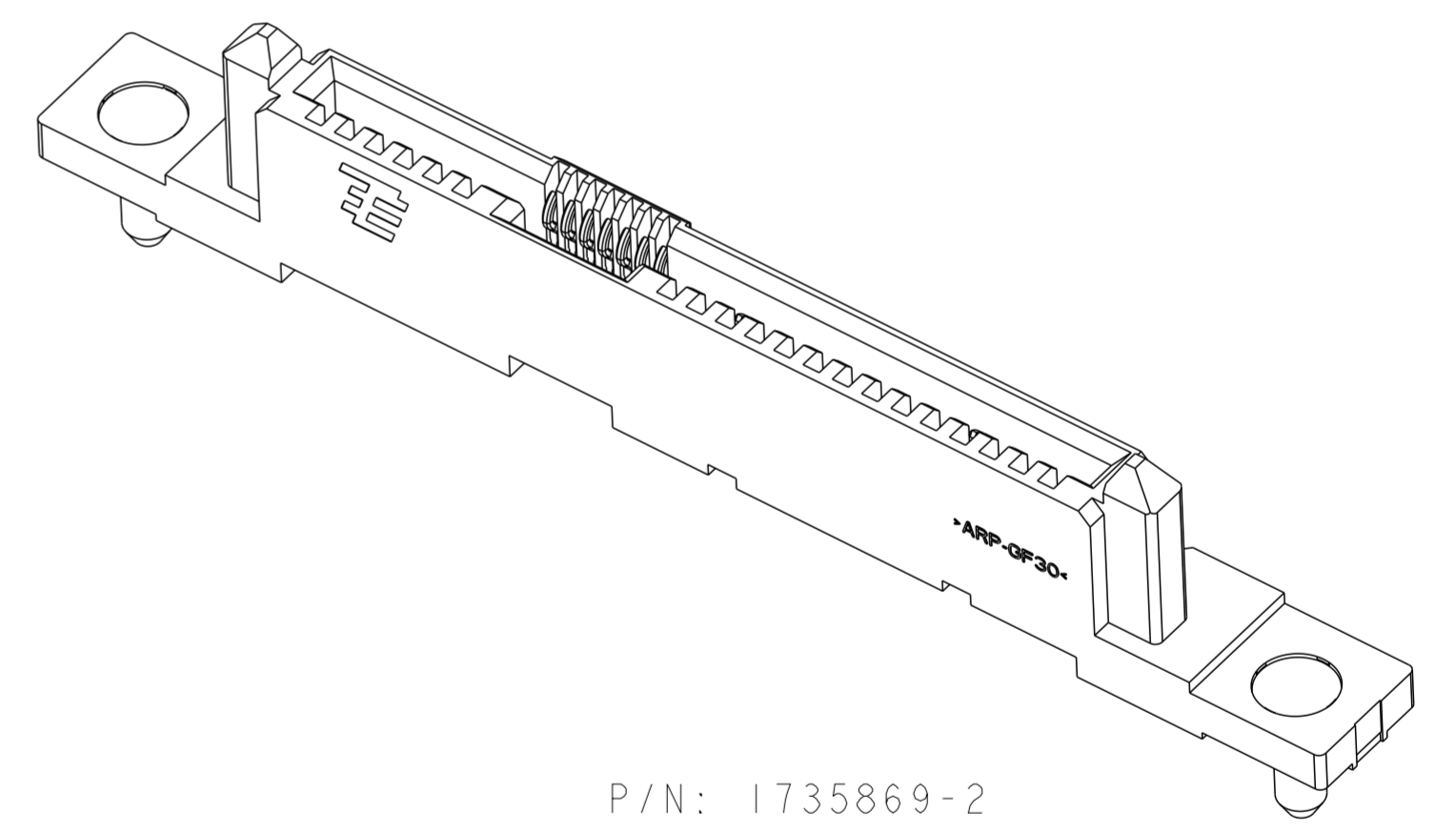
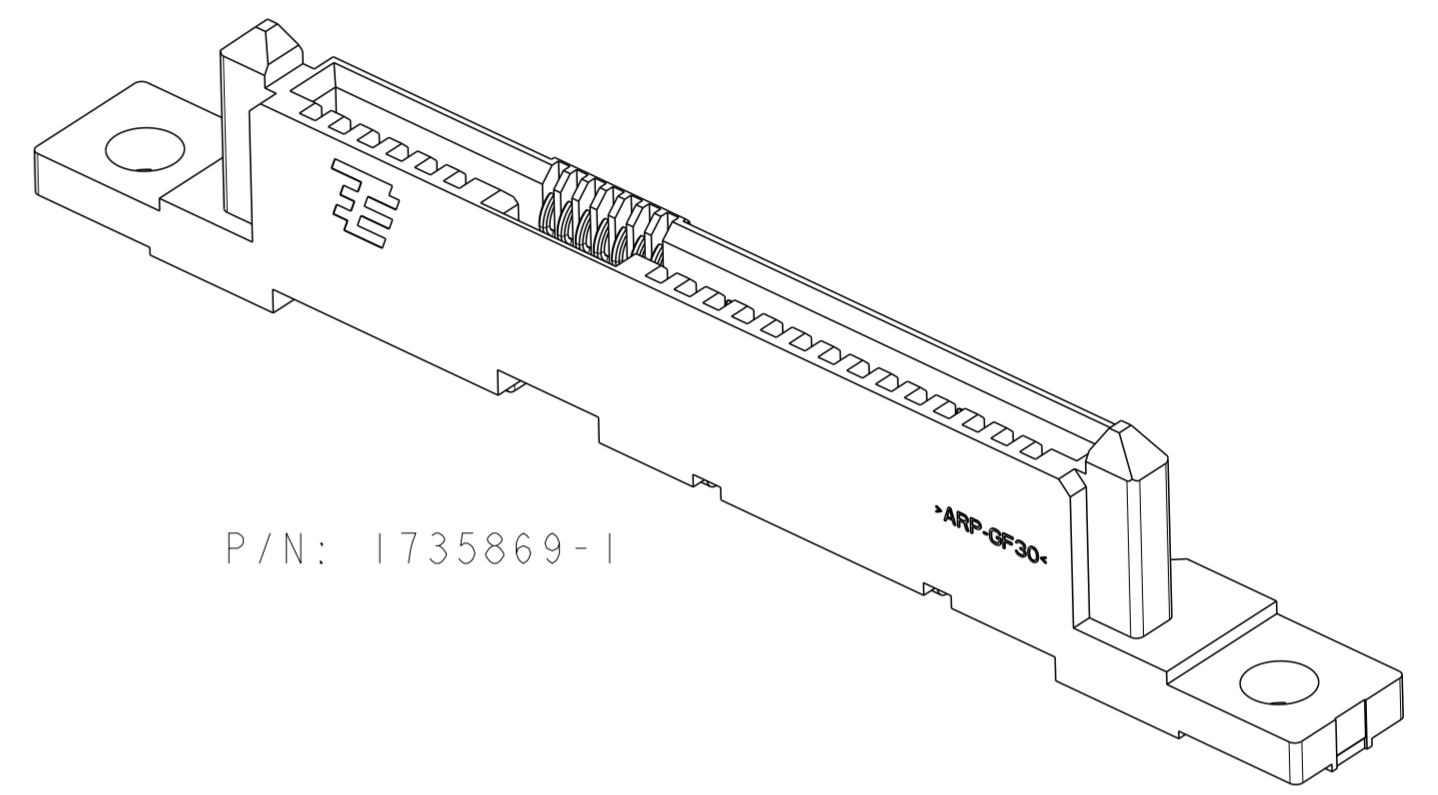
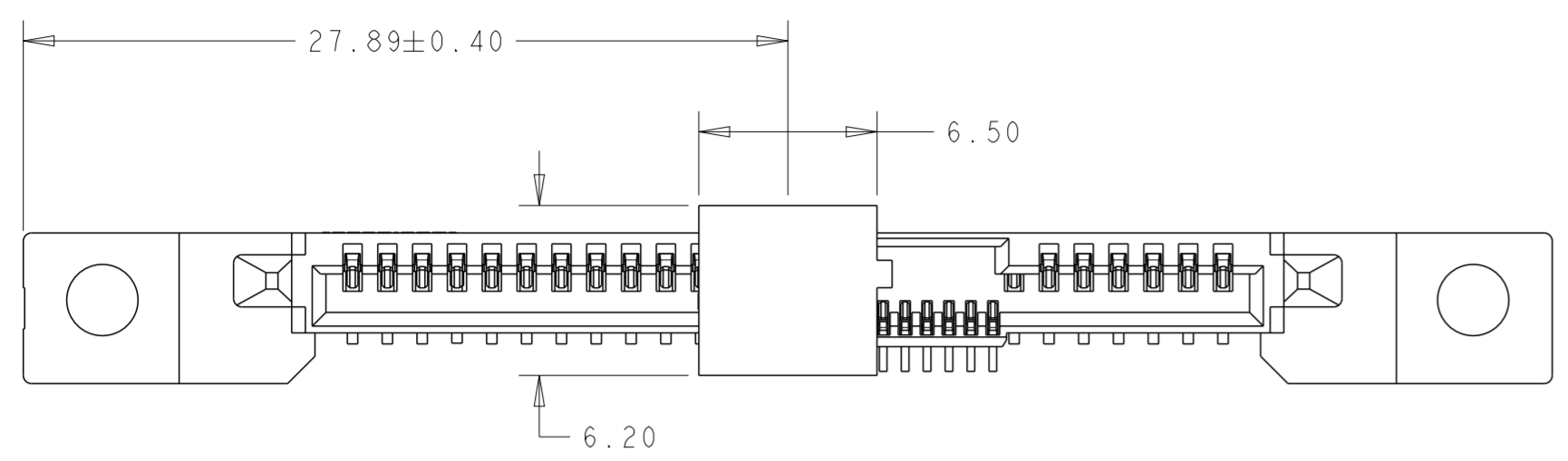
UNSPECIFIC DIMENSIONS ARE SAME WITH 1735869-1

THIS DRAWING IS A CONTROLLED DOCUMENT.		DWN TY PANG 15MAR2011	<b>STE</b> TE Connectivity	
DIMENSIONS: mm		CHK SF LEONG 15MAR2011		
TOLERANCES UNLESS OTHERWISE SPECIFIED:		APVD SF LEONG 15MAR2011	NAME SAS BACKPLANE RECEPTACLE, VERTICAL, SMT, THROUGH HOLE FLANGE	
0 PLC ± 1 PLC ± 2 PLC ±0.20 3 PLC ± 4 PLC ±		PRODUCT SPEC 108-51067	SIZE A2	
ANGLES ±3° FINISH		APPLICATION SPEC -	CAGE CODE -	DRAWING NO C-1735869
MATERIAL		WEIGHT -	RESTRICTED TO -	
		CUSTOMER DRAWING	SCALE 4:1	SHEET 2 OF 3
			REV B	

THIS DRAWING IS UNPUBLISHED. RELEASED FOR PUBLICATION 20  
 © COPYRIGHT 20 BY - ALL RIGHTS RESERVED.

REVISIONS				
P	LTR	DESCRIPTION	DATE	APVD
-	-	SEE SHEET 1	-	-

P/NS WITH CAP AS SHOWN



RECOMMENDED PCB LAYOUT  
 SCALE 5:1

THIS DRAWING IS A CONTROLLED DOCUMENT.		DWN TY PANG 15MAR2011	TE Connectivity	
DIMENSIONS: mm		CHK SF LEONG 15MAR2011		
TOLERANCES UNLESS OTHERWISE SPECIFIED:		APVD SF LEONG 15MAR2011	NAME SAS BACKPLANE RECEPTACLE, VERTICAL, SMT, THROUGH HOLE FLANGE	
0 PLC ± 1 PLC ± 2 PLC ±0.20 3 PLC ± 4 PLC ± ANGLES ±3° FINISH -		PRODUCT SPEC 108-51067	SIZE A2	
MATERIAL TBD		APPLICATION SPEC -	CAGE CODE -	DRAWING NO G-1735869
-		WEIGHT -	RESTRICTED TO -	SCALE 4:1 SHEET 3 OF 3 REV B
-		CUSTOMER DRAWING		

## X-ON Electronics

Largest Supplier of Electrical and Electronic Components

*Click to view similar products for [Automotive Connectors](#) category:*

*Click to view products by [TE Connectivity](#) manufacturer:*

Other Similar products are found below :

[003-018-000](#) [60403001](#) [60993906-B](#) [M902-2131](#) [M902-2161](#) [M902-2344](#) [72.330.1035.1](#) [73.353.4028.0](#) [F119300-B](#) [F166900](#) [F258300-B](#)  
[F358300-B](#) [F407400](#) [F444110](#) [F487000](#) [F509500B-B](#) [827153-1](#) [8N1515-32-24P](#) [9-1326729-8](#) [925474-1](#) [928905-1](#) [964562-4](#) [968782-1](#)  
[GT17SA-8DS-HU](#) [98891-1012](#) [98947-1016](#) [12004147](#) [12004475-L](#) [12010290](#) [12010309-B](#) [12015454](#) [12020219-B](#) [12041318-B](#) [12052225-](#)  
[L](#) [12052466](#) [12064869](#) [12004327-B](#) [12015308](#) [12015384](#) [12015909](#) [1-21030-1](#) [12041254](#) [12041318](#) [12047946-B](#) [12047957](#) [12047957-L](#)  
[12059473](#) [12066261](#) [12110546](#) [12110546-B](#)