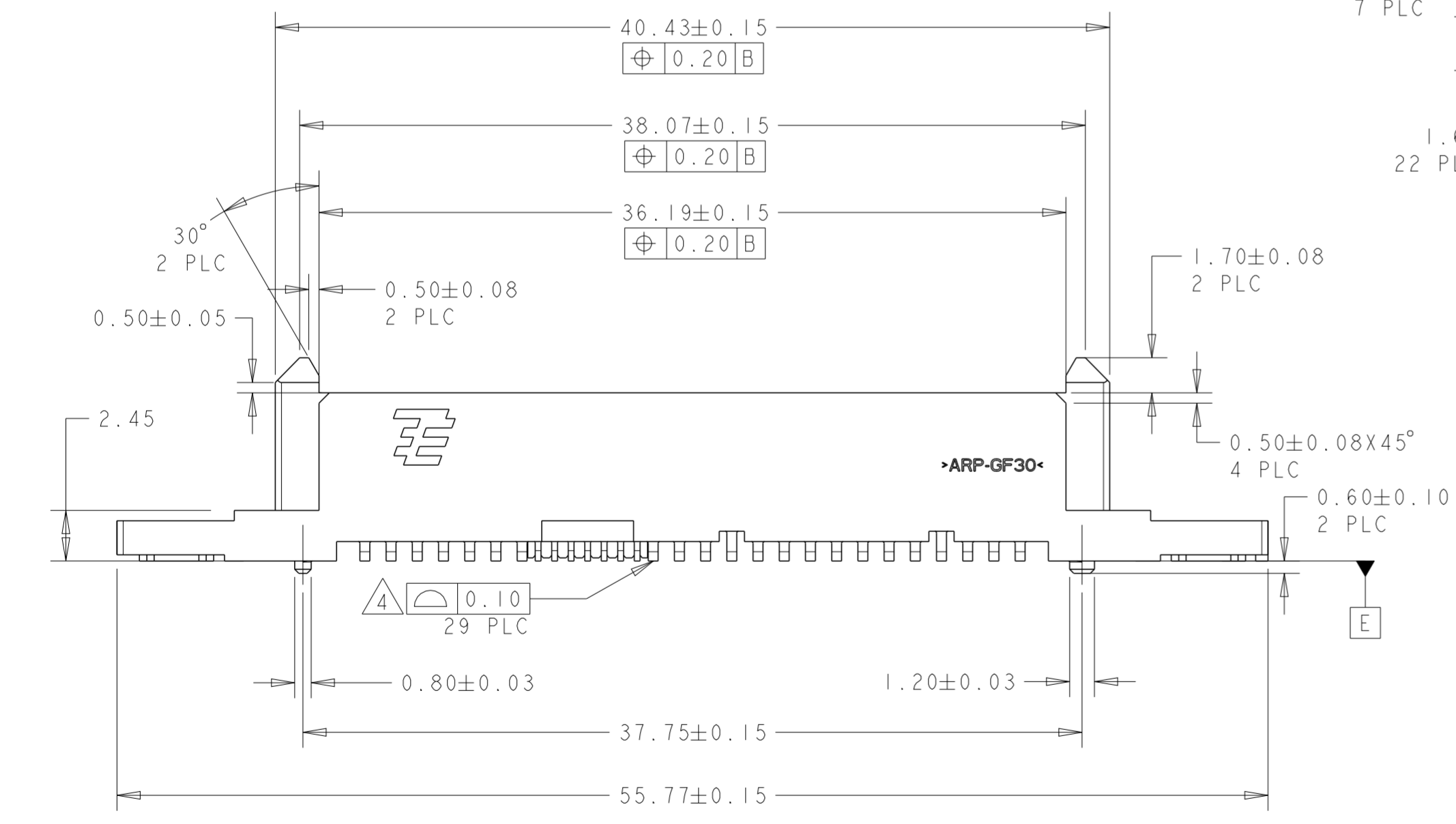
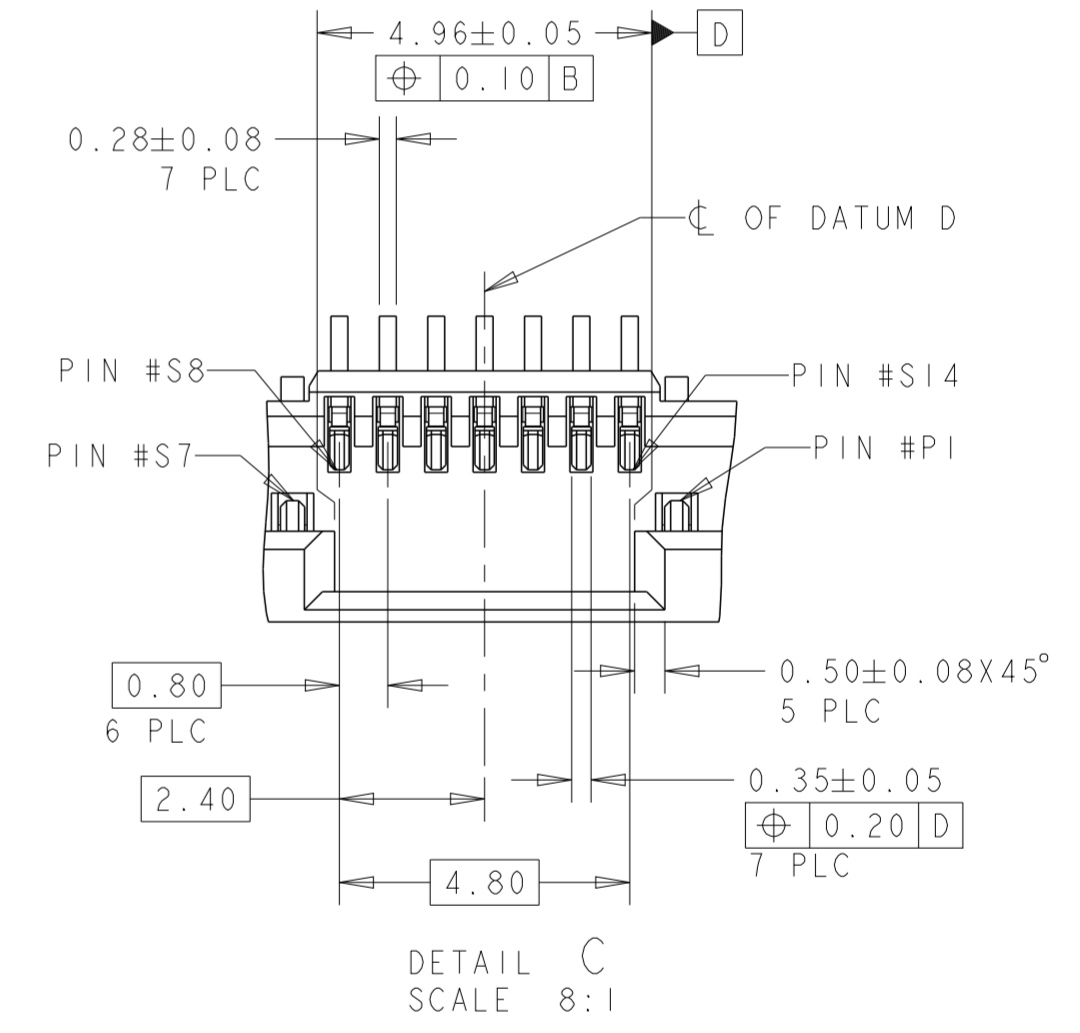
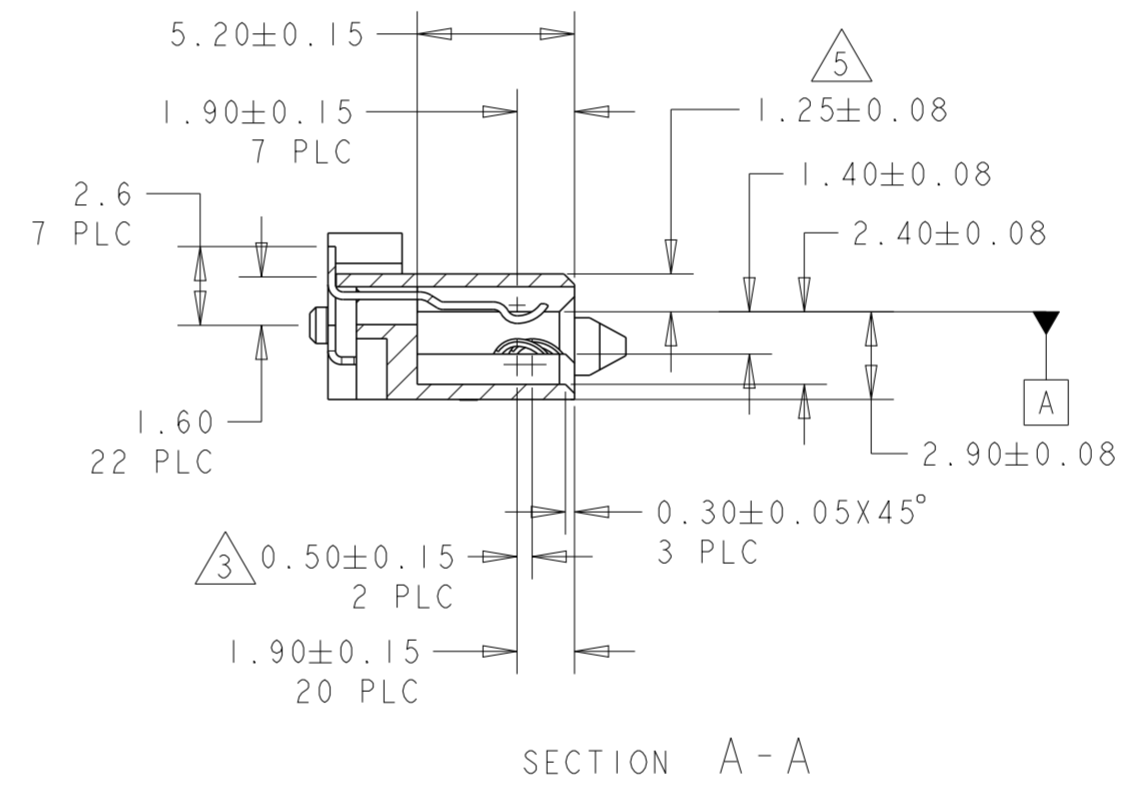
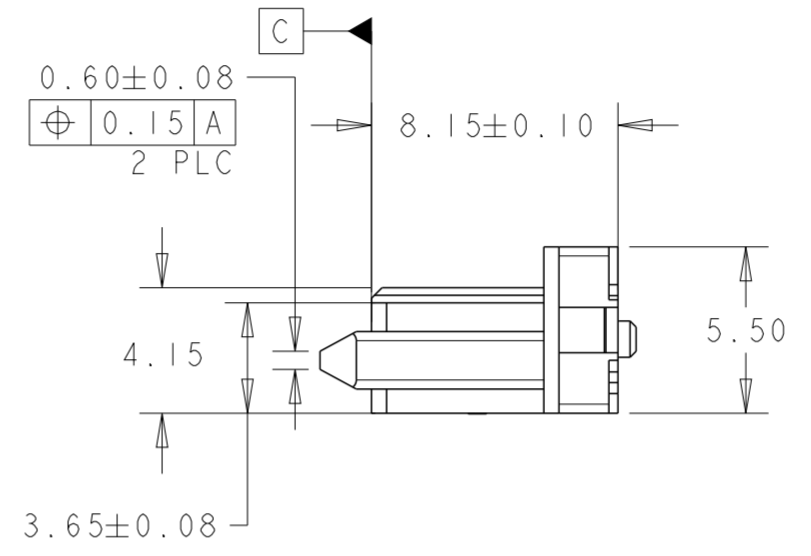
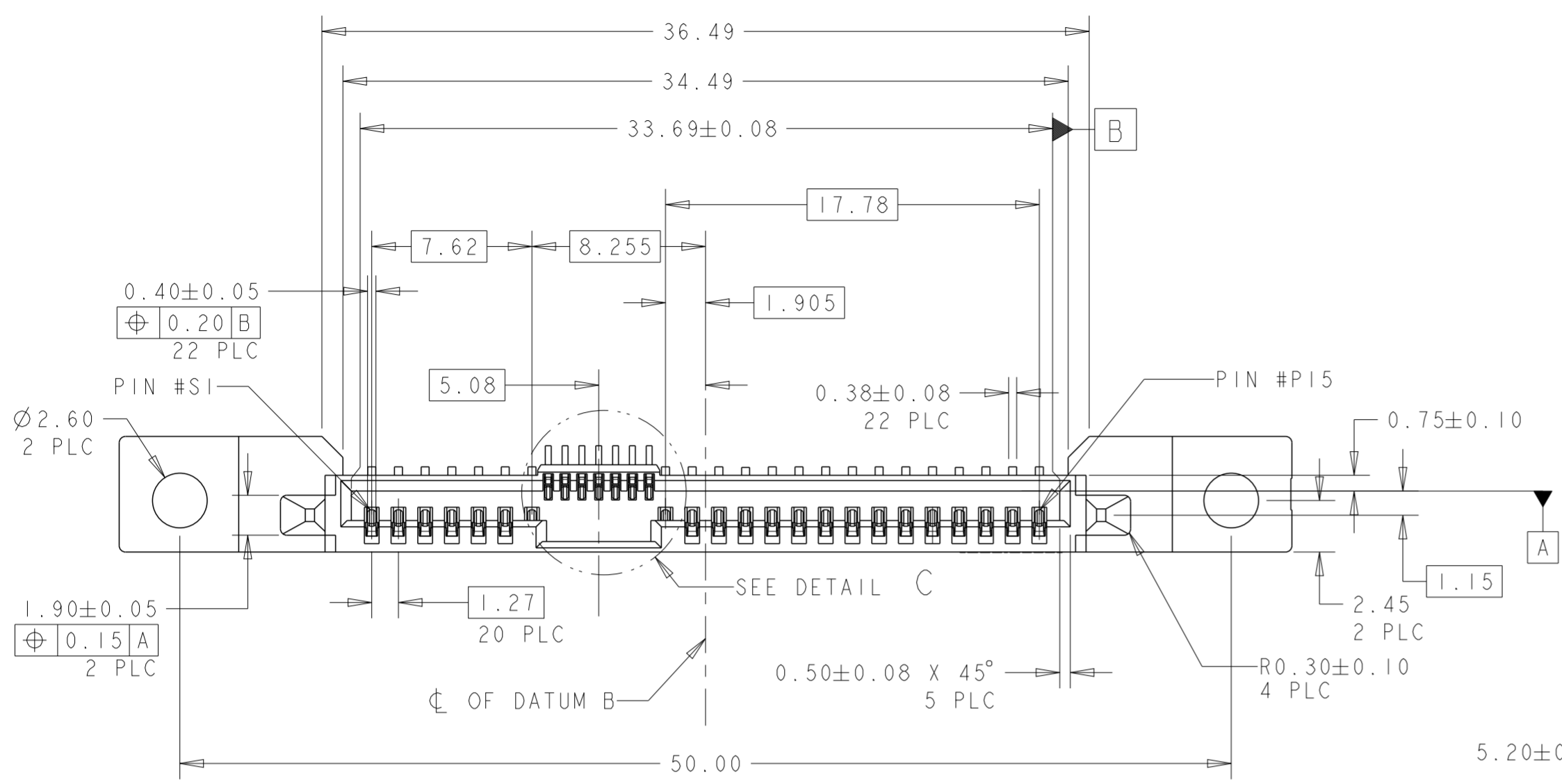


THIS DRAWING IS UNPUBLISHED. RELEASED FOR PUBLICATION 20
 © COPYRIGHT 20 BY - ALL RIGHTS RESERVED.

REVISIONS				
P	LTR	DESCRIPTION	DATE	DWN APVD
-	B	REVISED PER ECO-14-008073	30MAY2014	BL JY

NOTES:

- 1 MATERIAL:
 HOUSING: HIGH TEMP THERMOPLASTIC, UL94V-0,
 COLOR: BLACK
 CONTACT: COPPER ALLOY
 ROUND POST: BRASS
- 2 FINISH:
 CONTACT AREA: MIN 0.76um GOLD PLATING
 SOLDER TAIL: MIN 2.54um MATTE TIN PLATING
 UNDERPLATE: MIN 1.27um NICKEL PLATING
 ROUND POST PLATING: MIN 2.54um TIN OVER
 MIN 1.27um NICKEL UNDERPLATE
- 3 PIN #P4 AND #P12 ONLY
- 4 SOLDER TAIL TO BE 0.05 MAX ABOVE AND
 0.10 MAX BELOW DATUM E
- 5 1.33 MAX MEASURED AT DATUM C



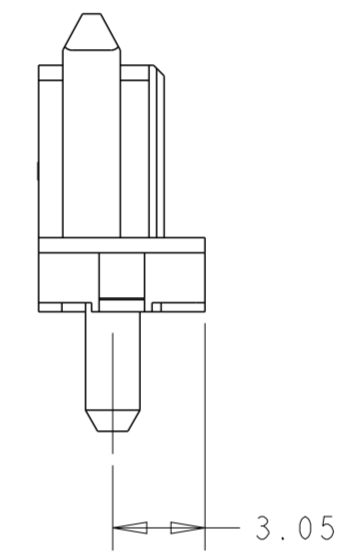
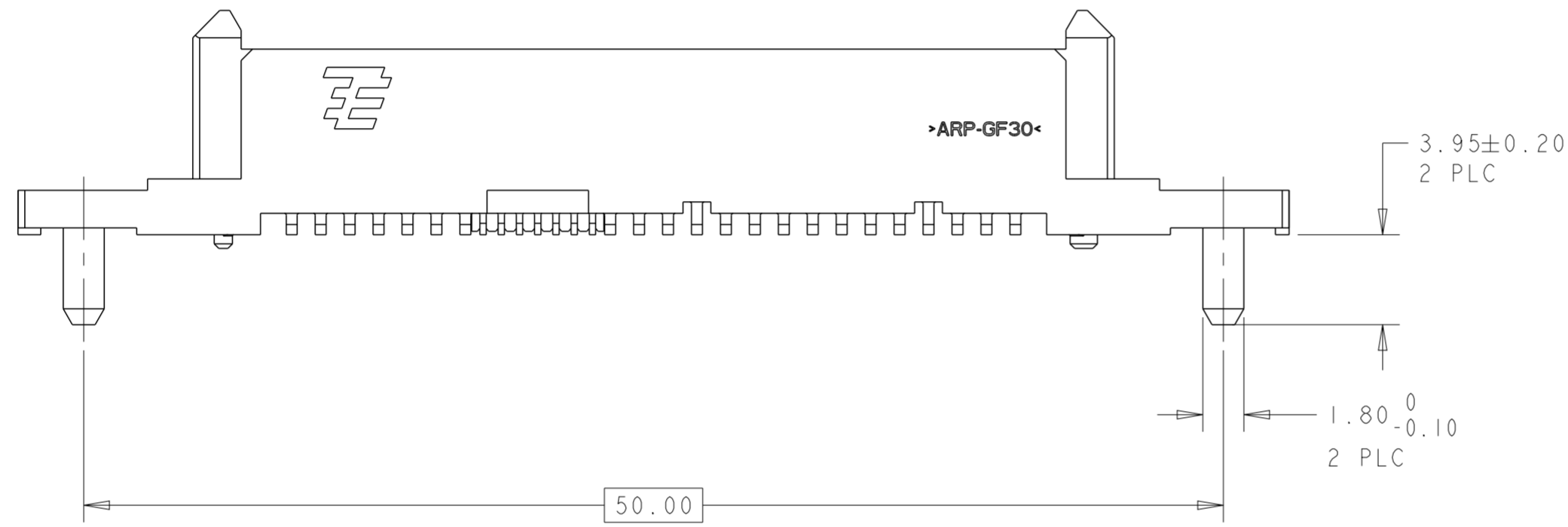
P/N: 1735869-1 AS SHOWN

WITH ROUND POST	1735869-2
WITHOUT ROUND POST	1735869-1
REMARK	PN

THIS DRAWING IS A CONTROLLED DOCUMENT.		DWN TY PANG 15MAR2011	TE Connectivity															
DIMENSIONS: mm		CHK SF LEONG 15MAR2011																
TOLERANCES UNLESS OTHERWISE SPECIFIED:		APVD SF LEONG 15MAR2011	NAME SAS BACKPLANE RECEPTACLE, VERTICAL, SMT, THROUGH HOLE FLANGE															
<table border="1"> <tr><td>0 PLC</td><td>±</td></tr> <tr><td>1 PLC</td><td>±</td></tr> <tr><td>2 PLC</td><td>±0.20</td></tr> <tr><td>3 PLC</td><td>±</td></tr> <tr><td>4 PLC</td><td>±</td></tr> <tr><td>ANGLES</td><td>±3°</td></tr> <tr><td>FINISH</td><td></td></tr> </table>		0 PLC	±	1 PLC	±	2 PLC	±0.20	3 PLC	±	4 PLC	±	ANGLES	±3°	FINISH		PRODUCT SPEC 108-51067	SIZE A2	
0 PLC	±																	
1 PLC	±																	
2 PLC	±0.20																	
3 PLC	±																	
4 PLC	±																	
ANGLES	±3°																	
FINISH																		
MATERIAL 1		APPLICATION SPEC -	CAGE CODE -	DRAWING NO 1735869														
FINISH 2		WEIGHT -	RESTRICTED TO -	SCALE 4:1 SHEET 1 OF 3 REV B														
CUSTOMER DRAWING		SCALE 4:1 SHEET 1 OF 3 REV B																


THIS DRAWING IS UNPUBLISHED. RELEASED FOR PUBLICATION 20
 © COPYRIGHT 20 BY - ALL RIGHTS RESERVED.

REVISIONS				
P	LTR	DESCRIPTION	DATE	APVD
-	-	SEE SHEET 1	-	-



1735869-2 AS SHOWN

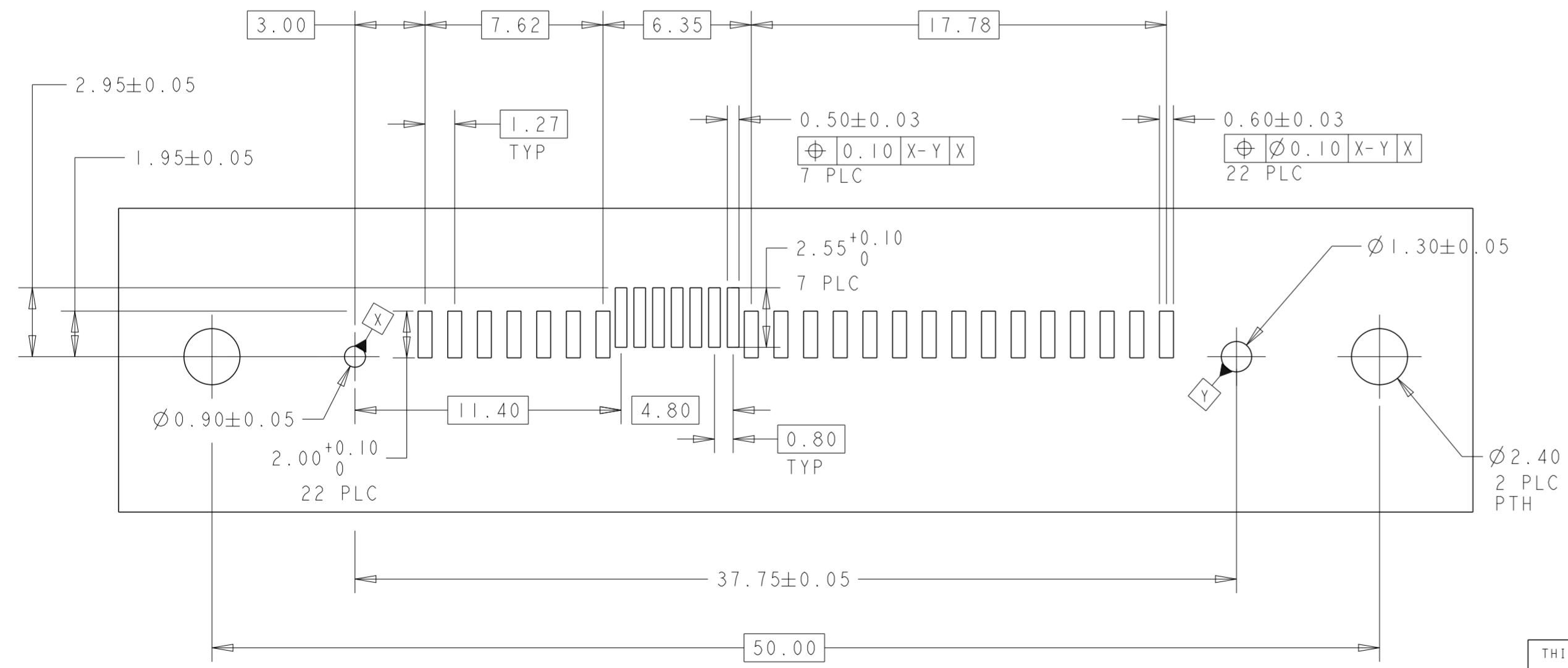
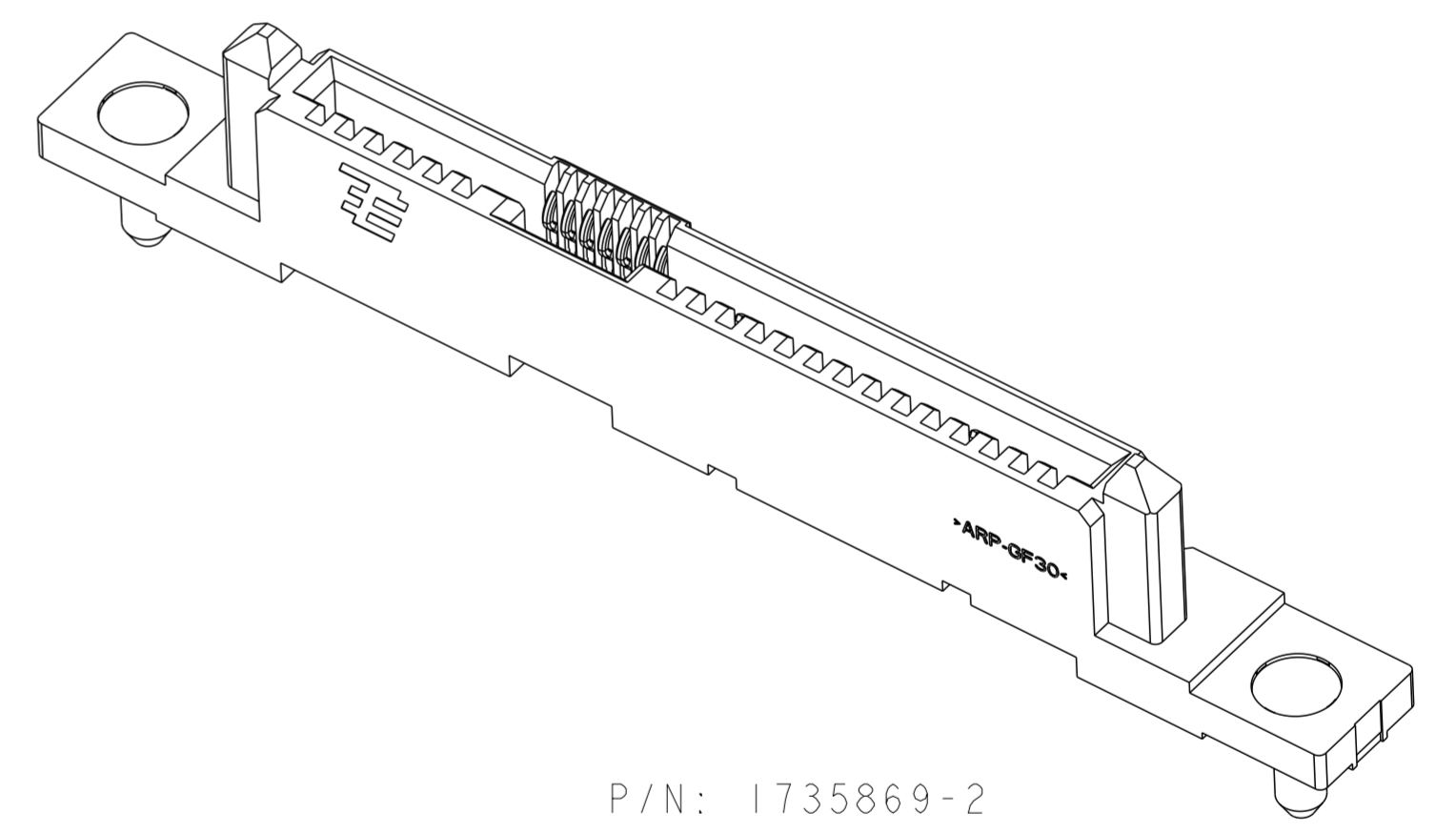
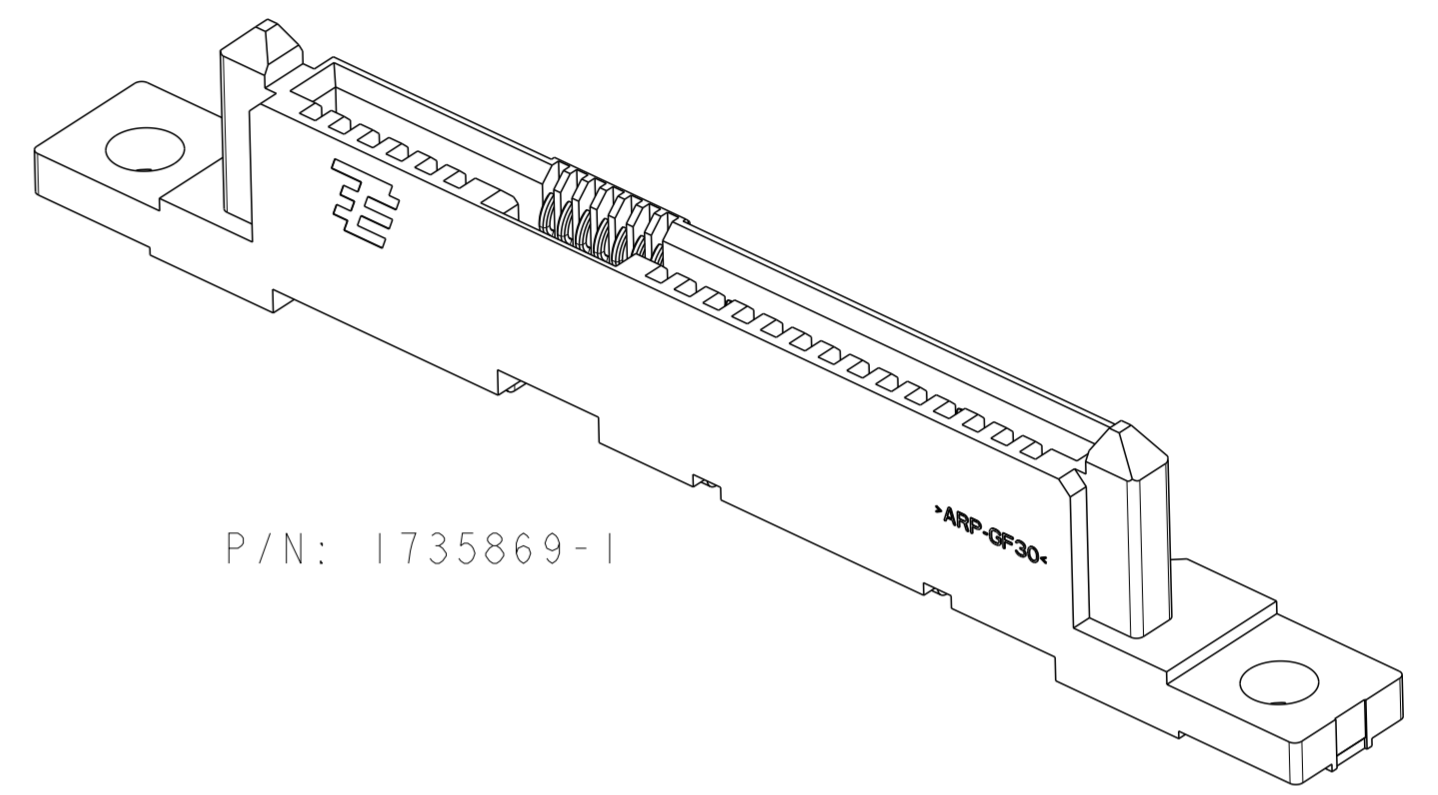
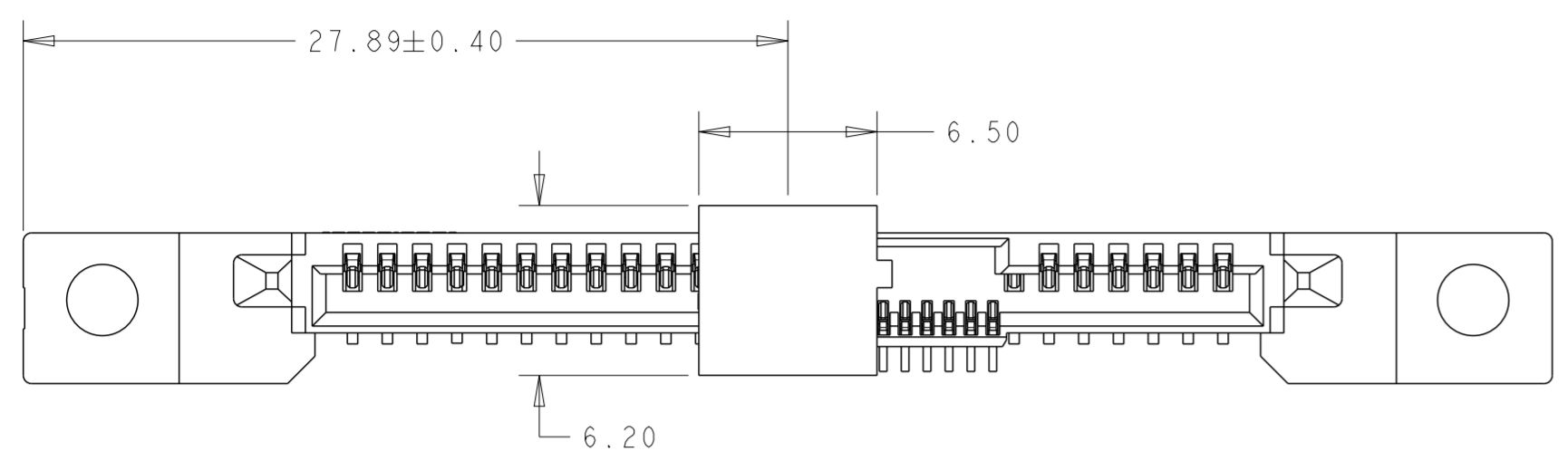
UNSPECIFIC DIMENSIONS ARE SAME WITH 1735869-1

THIS DRAWING IS A CONTROLLED DOCUMENT.		DWN TY PANG 15MAR2011	 TE Connectivity	
DIMENSIONS: mm		CHK SF LEONG 15MAR2011		
TOLERANCES UNLESS OTHERWISE SPECIFIED:		APVD SF LEONG 15MAR2011	NAME SAS BACKPLANE RECEPTACLE, VERTICAL, SMT, THROUGH HOLE FLANGE	
0 PLC ± 1 PLC ± 2 PLC ±0.20 3 PLC ± 4 PLC ± ANGLES ±3° FINISH		PRODUCT SPEC 108-51067	SIZE A2	
MATERIAL		APPLICATION SPEC -	CAGE CODE -	DRAWING NO G-1735869
		WEIGHT -	RESTRICTED TO -	
		CUSTOMER DRAWING	SCALE 4:1	SHEET 2 OF 3
			REV B	

THIS DRAWING IS UNPUBLISHED. RELEASED FOR PUBLICATION 20
 © COPYRIGHT 20 BY - ALL RIGHTS RESERVED.

REVISIONS				
P	LTR	DESCRIPTION	DATE	APVD
-	-	SEE SHEET 1	-	-

P/NS WITH CAP AS SHOWN



RECOMMENDED PCB LAYOUT
 SCALE 5:1

THIS DRAWING IS A CONTROLLED DOCUMENT.		DWN TY PANG 15MAR2011	TE Connectivity	
DIMENSIONS: mm		CHK SF LEONG 15MAR2011		
TOLERANCES UNLESS OTHERWISE SPECIFIED:		APVD SF LEONG 15MAR2011	NAME SAS BACKPLANE RECEPTACLE, VERTICAL, SMT, THROUGH HOLE FLANGE	
0 PLC ± 1 PLC ± 2 PLC ±0.20 3 PLC ± 4 PLC ± ANGLES ±3° FINISH -		PRODUCT SPEC 108-51067	SIZE A2	
MATERIAL TBD		APPLICATION SPEC -	CAGE CODE -	DRAWING NO G-1735869
-		WEIGHT -	RESTRICTED TO -	SCALE 4:1 SHEET 3 OF 3 REV B
-		CUSTOMER DRAWING		

X-ON Electronics

Largest Supplier of Electrical and Electronic Components

Click to view similar products for [Automotive Connectors](#) category:

Click to view products by [TE Connectivity](#) manufacturer:

Other Similar products are found below :

[003-018-000](#) [60403001](#) [60993906-B](#) [M902-2131](#) [M902-2161](#) [M902-2344](#) [72.330.1035.1](#) [73.353.4028.0](#) [F119300-B](#) [F166900](#) [F258300-B](#)
[F358300-B](#) [F407400](#) [F444110](#) [F487000](#) [F509500B-B](#) [827153-1](#) [8N1515-32-24P](#) [9-1326729-8](#) [925474-1](#) [928905-1](#) [964562-4](#) [968782-1](#)
[GT17SA-8DS-HU](#) [98891-1012](#) [98947-1016](#) [12004147](#) [12004475-L](#) [12010290](#) [12015454](#) [12020219-B](#) [12041318-B](#) [12052225-L](#) [12052466](#)
[12064869](#) [12004327-B](#) [12015308](#) [12015384](#) [12015909](#) [1-21030-1](#) [12041254](#) [12041318](#) [12047946-B](#) [12047957](#) [12047957-L](#) [12059473](#)
[12066261](#) [12110546](#) [12110546-B](#) [12131792](#)