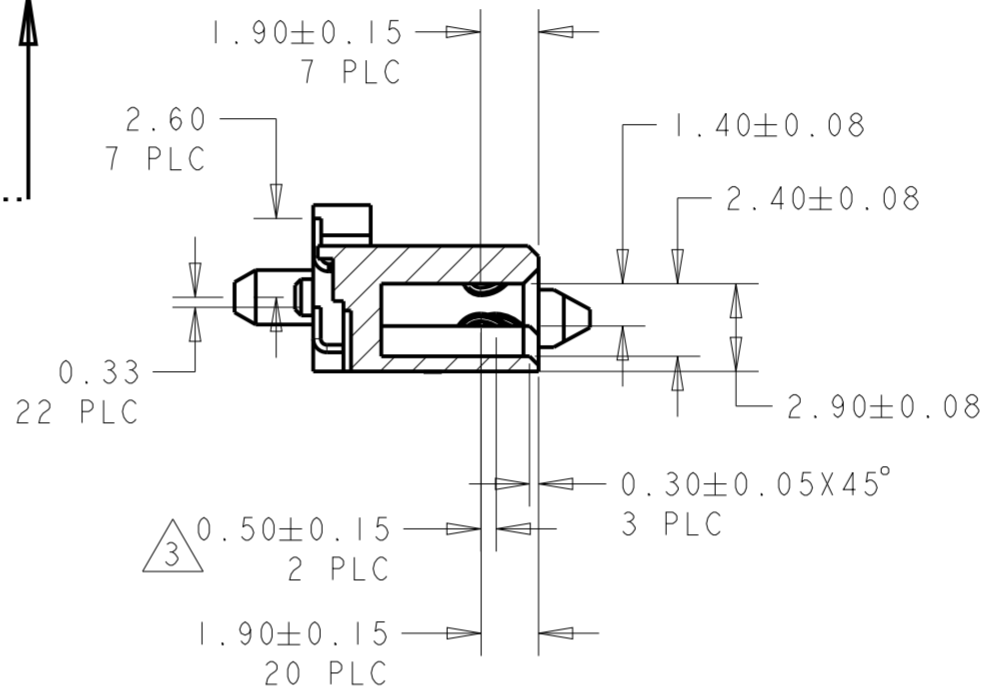
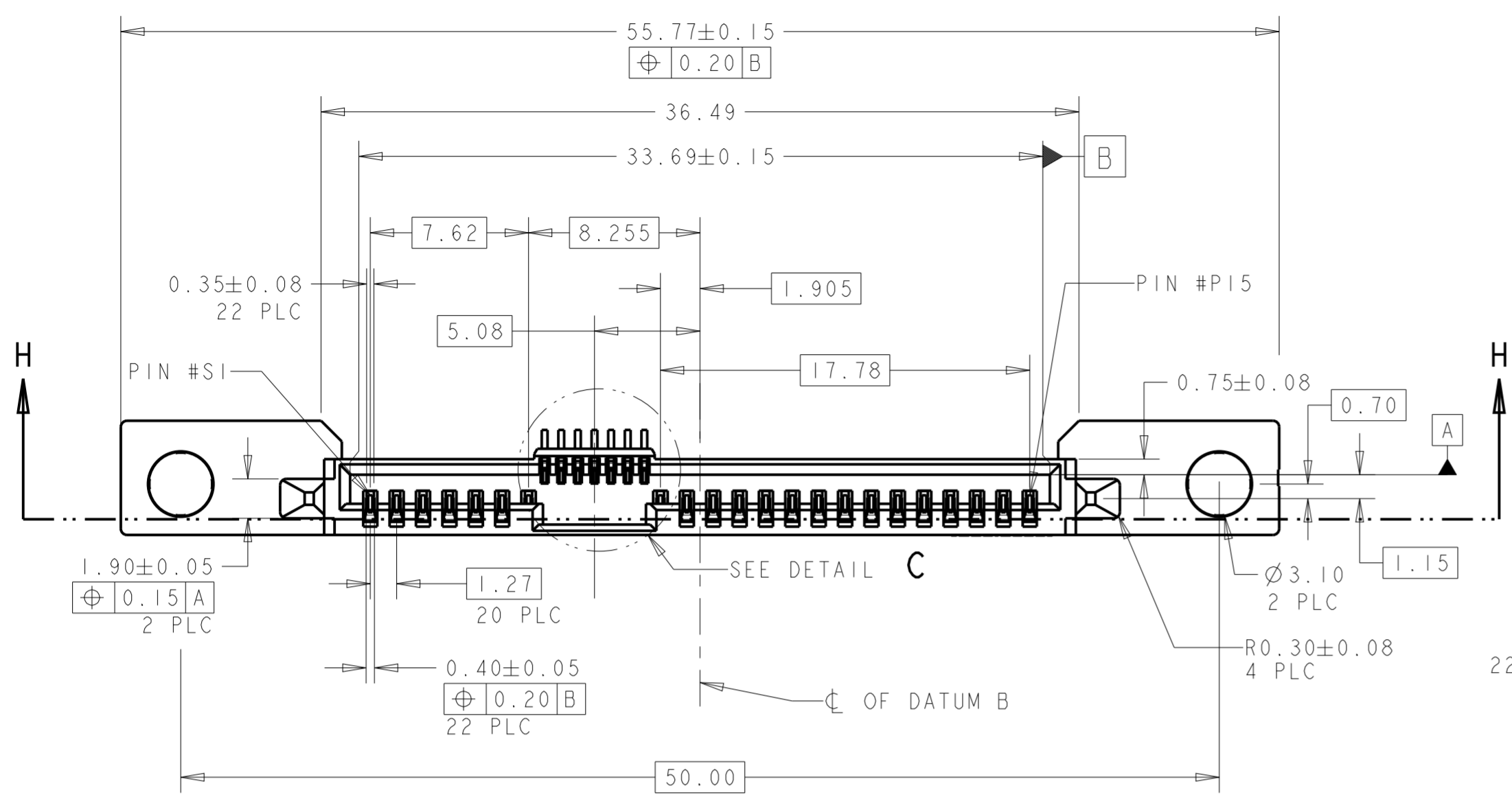
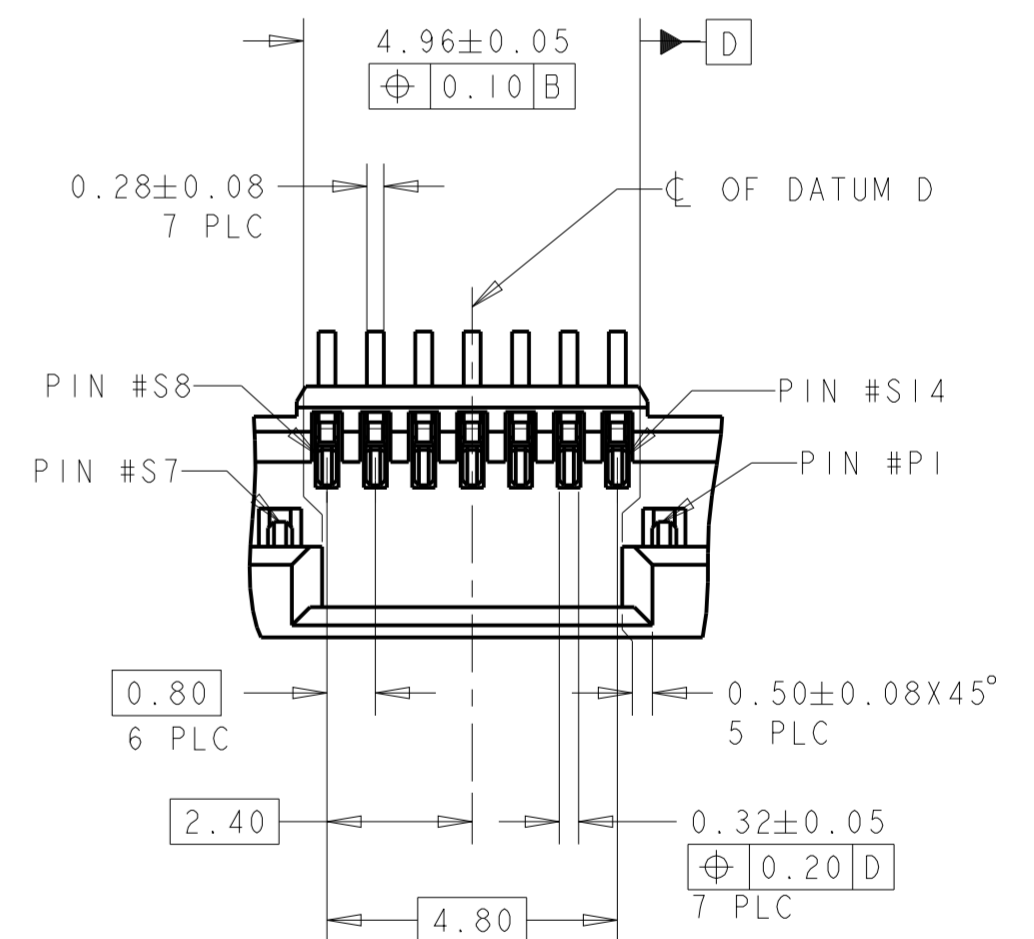
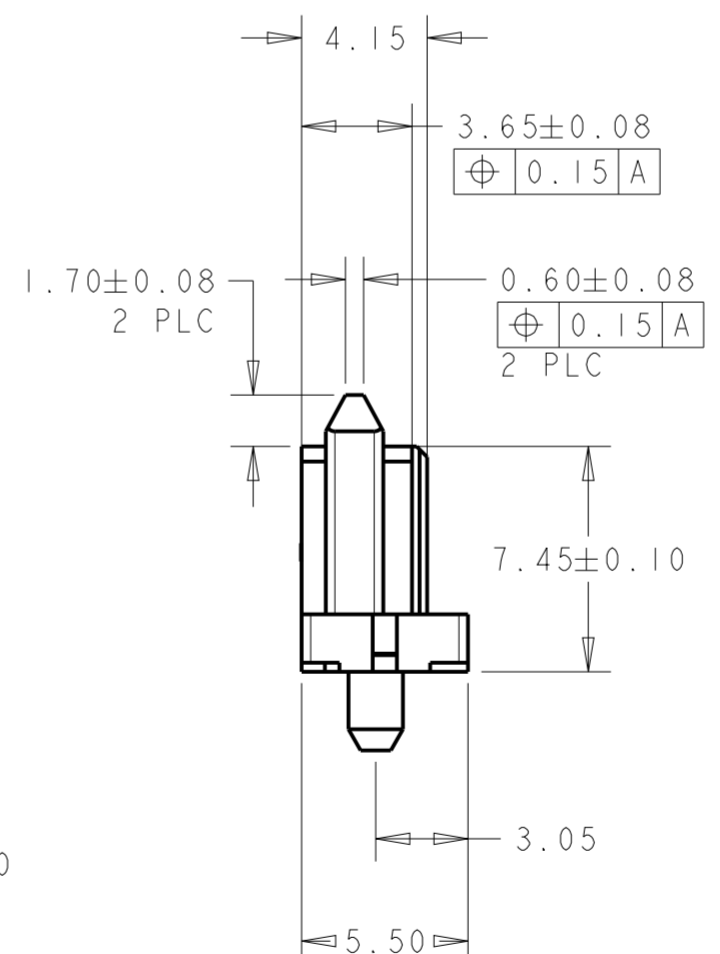
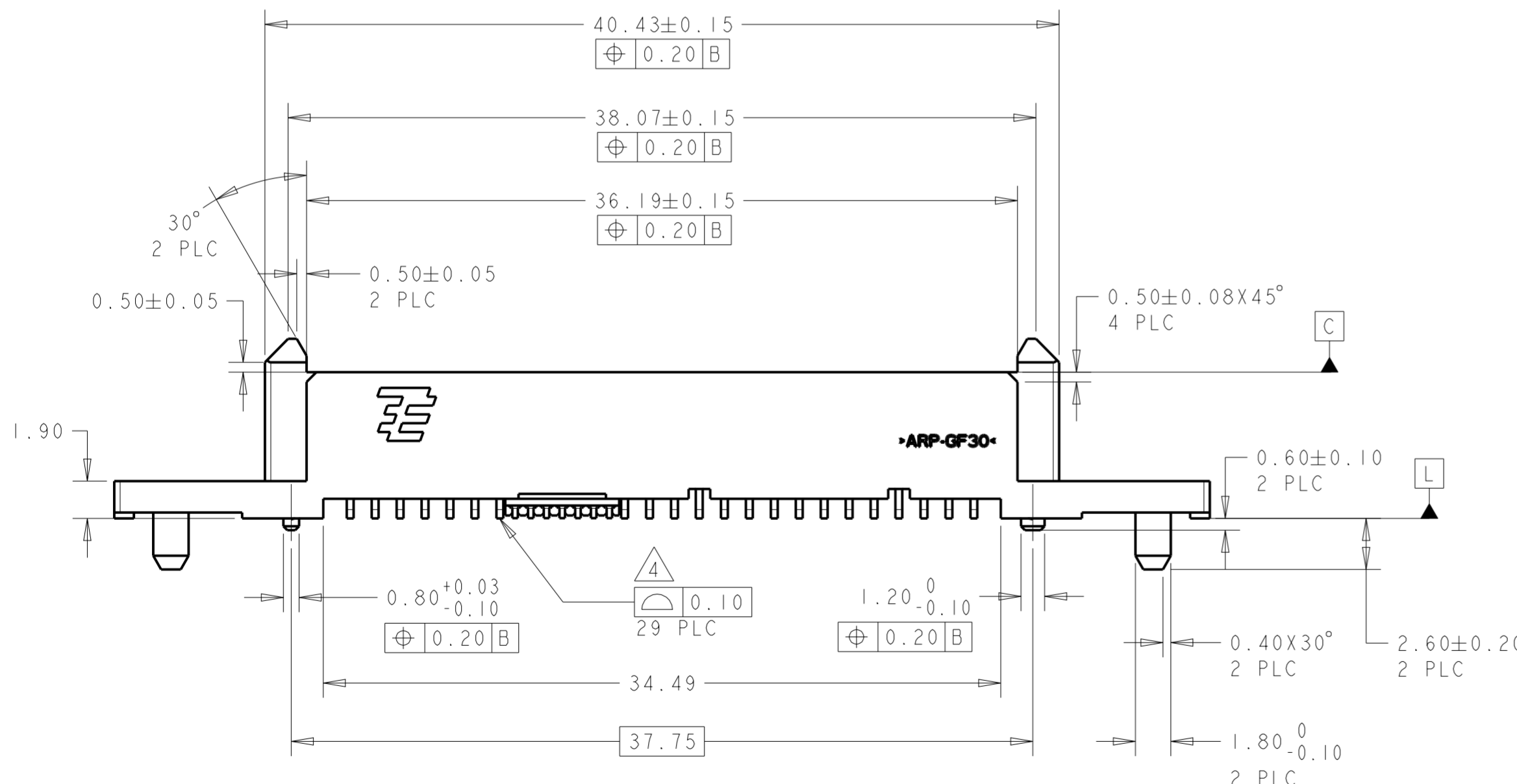


THIS DRAWING IS UNPUBLISHED. RELEASED FOR PUBLICATION .19
 (C) COPYRIGHT 19 BY AMP INCORPORATED. ALL RIGHTS RESERVED.

LOC	DIST	REVISIONS			
P	LTR	DESCRIPTION	DATE	DWN	APVD
DY	-				
A		NPR PER ECR-11-005372	15MAR11	PTY	LSF
B		REVISED PER ECR-15-000604	15JAN2015	HW	JY



- NOTES:
- MATERIAL:
HOUSING: HIGH TEMP THERMOPLASTIC, UL94V-0, COLOR: BLACK
CONTACT: COPPER ALLOY
ROUND POST: BRASS
 - FINISH:
CONTACT AREA: MIN 0.76um GOLD PLATING
SOLDERTAIL: MIN 2.54um MATTE TIN PLATING
UNDERPLATE: MIN 1.27um NICKEL PLATING
ROUND POST PLATING: MIN 2.54um TIN OVER MIN 1.27um NICKEL UNDERPLATE
 - PIN #P4 AND #P12 ONLY. PREMATING PINS
 - SOLDERTAIL TO BE 0.05 MAX ABOVE AND 0.10 MAX BELOW DATUM E
 - 1.33 MAX MEASURED AT DATUM C
 - ROUND POSTS ARE SOLDERABLE
 - ELECTRICAL SPECIFICATION:
MAXIMUM RATED CURRENT: 1.5Amps @ 30°C MAX
CONTACT RESISTANCE: 30 MILLI-OHMS MAX
INSULATOR RESISTANCE: 1000 MEGOHMS MIN
DIELECTRIC WITHSTANDING VOLTAGE: 500 V AC



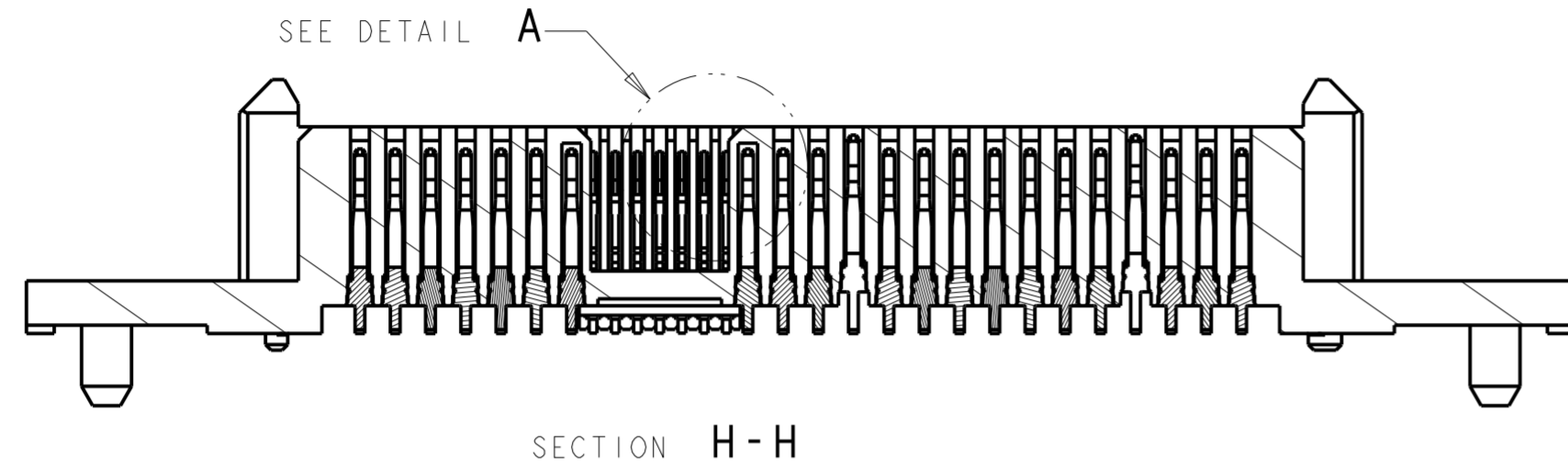
DETAIL C
SCALE 8:1
P/N: 1735871-1 AS SHOWN

0.54	0.34	0.34	1735871-3
0.54	0.39	0.34	1735871-2
0.40	0.32	0.25	1735871-1
DIM C	DIM B	DIM A	P/N

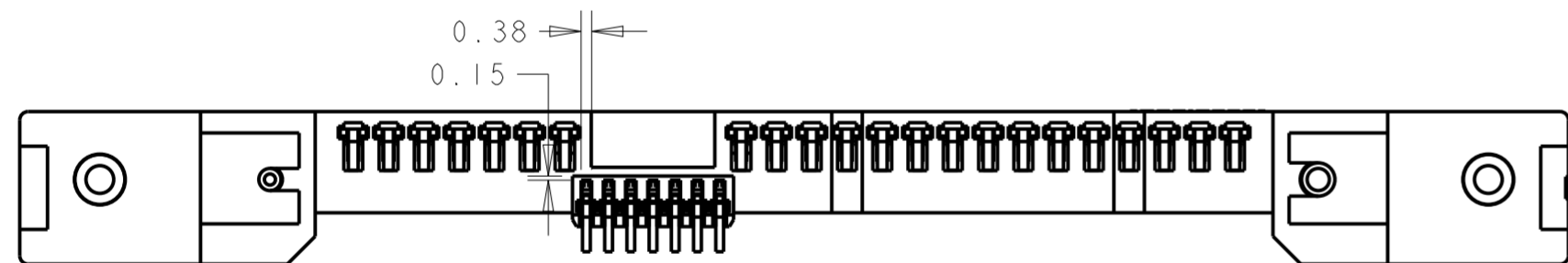
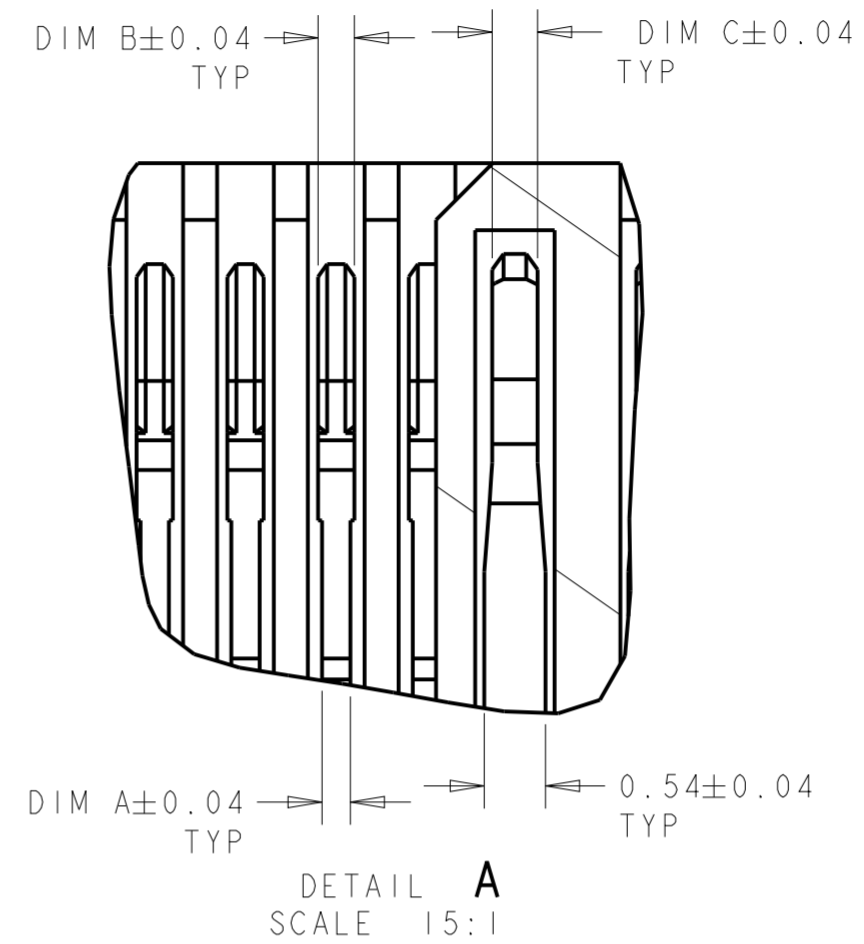
THIS DRAWING IS A CONTROLLED DOCUMENT FOR AMP INCORPORATED. IT IS SUBJECT TO CHANGE AND THE CONTROLLING ENGINEERING ORGANIZATION SHOULD BE CONTACTED FOR THE LATEST REVISION.		DWN TY PANG 15MAR2011	Tyco Electronics Singapore Pte. Ltd.	
DIMENSIONS: mm		CHK SF LEONG 15MAR2011	NAME SAS BACKPLANE RECEPTACLE, VERTICAL, SMT, SOLDERABLE POST	
TOLERANCES UNLESS OTHERWISE SPECIFIED: 0 PLC ± 1 PLC ± 2 PLC ±0.20 3 PLC ± 4 PLC ± ANGLES ±3° FINISH		APVD SF LEONG 15MAR2011	DRAWING NO A2 00779	
MATERIAL		PRODUCT SPEC 108-51067	SCALE 4:1	
FINISH		APPLICATION SPEC -	SHEET 1 OF 3	
CUSTOMER DRAWING		WEIGHT -	REV B	

THIS DRAWING IS UNPUBLISHED. RELEASED FOR PUBLICATION .19
 (C) COPYRIGHT 19 BY AMP INCORPORATED. ALL RIGHTS RESERVED.

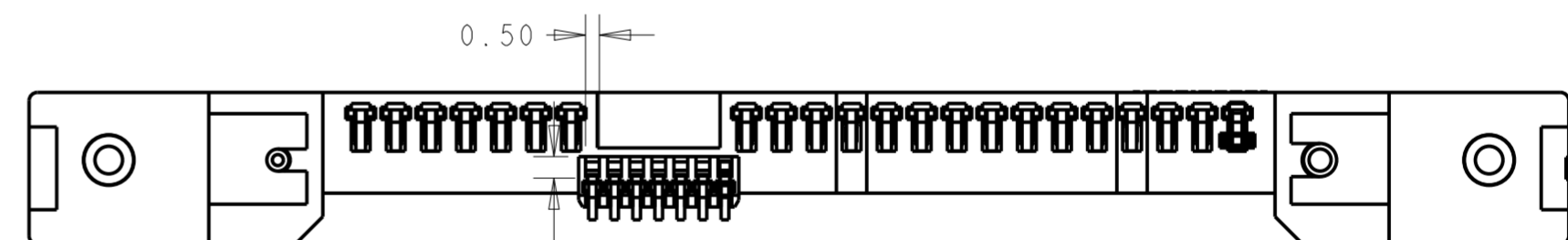
REVISIONS			
LOC	DIST	DESCRIPTION	DATE
DY	-		
P	LTR		



SECTION H-H



1735871-1 & -3 AS SHOWN



0.78 ±0.04

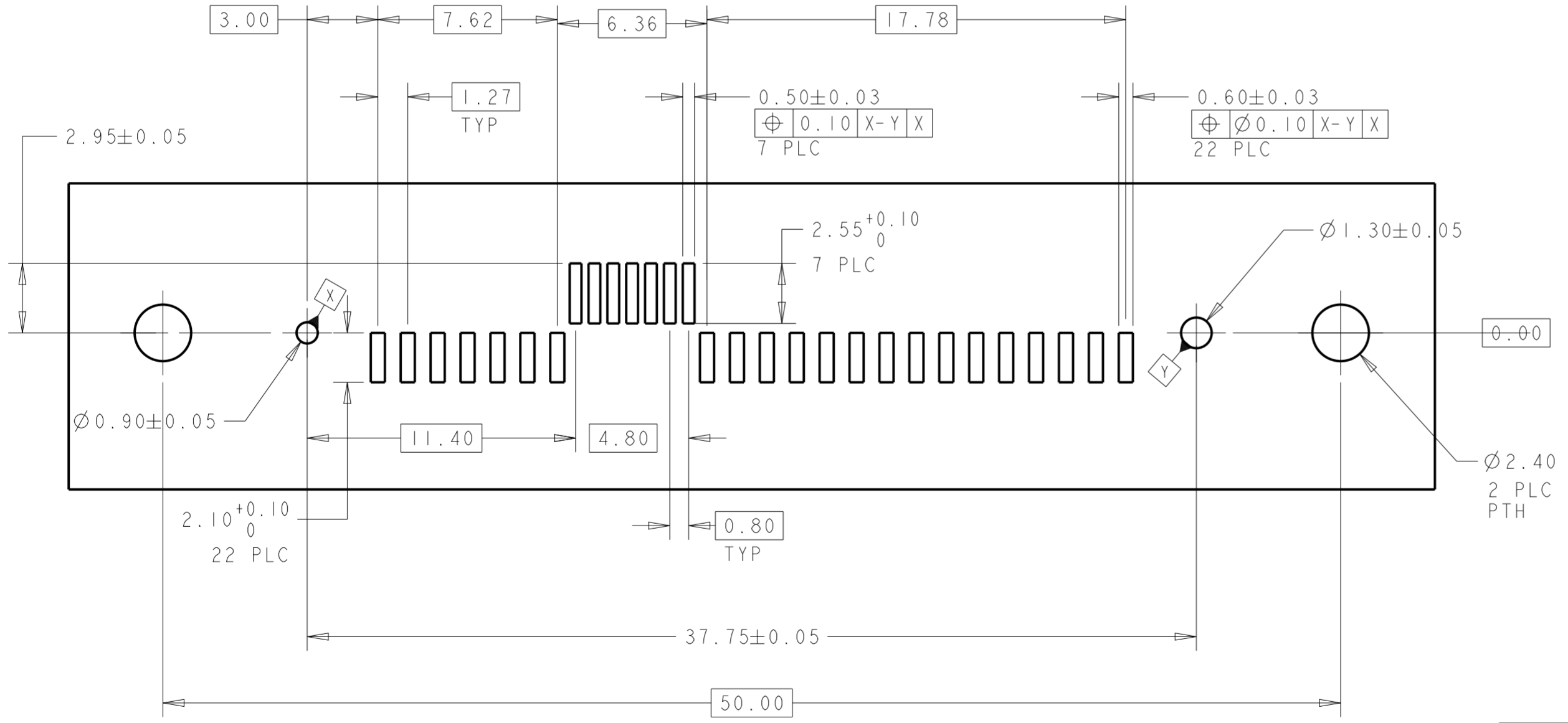
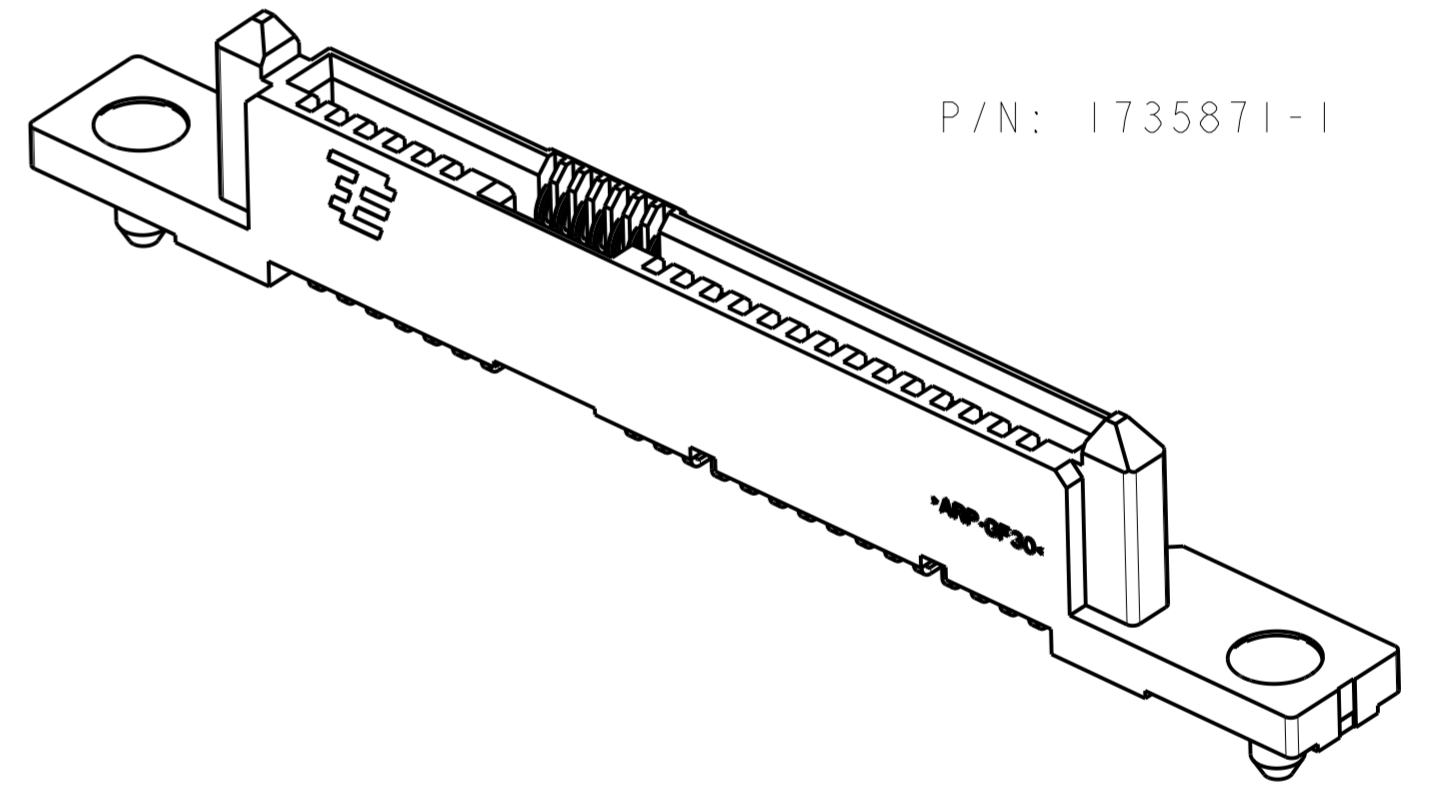
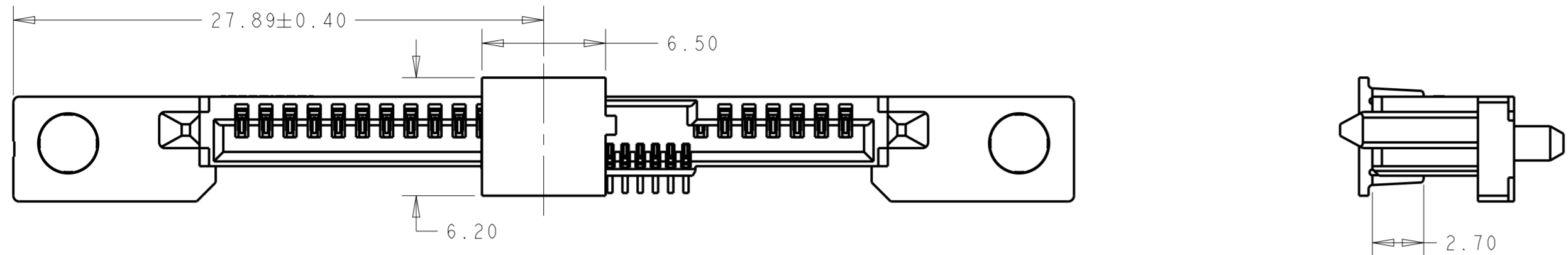
1735871-2 AS SHOWN

<small>THIS DRAWING IS A CONTROLLED DOCUMENT FOR AMP INCORPORATED. IT IS SUBJECT TO CHANGE AND THE CONTROLLING ENGINEERING ORGANIZATION SHOULD BE CONTACTED FOR THE LATEST REVISION.</small>		DWN TY PANG 15MAR2011 CHK SF LEONG 15MAR2011 APVD SF LEONG 15MAR2011	Tyco Electronics Singapore Pte. Ltd.		
DIMENSIONS: mm	TOLERANCES UNLESS OTHERWISE SPECIFIED: 0 PLC ± 1 PLC ± 2 PLC ±0.20 3 PLC ± 4 PLC ± ANGLES ±3° FINISH	PRODUCT SPEC 108-51067 APPLICATION SPEC - WEIGHT - CUSTOMER DRAWING	NAME SAS BACKPLANE RECEPTACLE, VERTICAL, SMT, SOLDERABLE POST		
MATERIAL		SCALE 4:1	CAGE CODE A2 00779	DRAWING NO. 1735871	SHEET 2 OF 3 REV B

THIS DRAWING IS UNPUBLISHED. RELEASED FOR PUBLICATION .19
 (C) COPYRIGHT 19 BY AMP INCORPORATED. ALL RIGHTS RESERVED.

LOC	DIST	REVISIONS			
P	LTR	DESCRIPTION	DATE	DWN	APVD
DY	-	SEE SHEET 1	-	-	-

P/N: 1735871-1 WITH CAP AS SHOWN



RECOMMENDED PCB LAYOUT
 SCALE 5:1

THIS DRAWING IS A CONTROLLED DOCUMENT FOR AMP INCORPORATED. IT IS SUBJECT TO CHANGE AND THE CONTROLLING ENGINEERING ORGANIZATION SHOULD BE CONTACTED FOR THE LATEST REVISION.		DWN TY PANG 15MAR2011	tyco Electronics		Tyco Electronics Singapore Pte. Ltd.
DIMENSIONS: mm		CHK SE LEONG 15MAR2011	NAME SAS BACKPLANE RECEPTACLE, VERTICAL, SMT, SOLDERABLE POST		
TOLERANCES UNLESS OTHERWISE SPECIFIED: 0 PLC ± - 1 PLC ± - 2 PLC ± 0.20 3 PLC ± - 4 PLC ± - ANGLES ± 3° FINISH		APVD SE LEONG 15MAR2011	PRODUCT SPEC 108-51067		
MATERIAL		APPLICATION SPEC -	WEIGHT -	SIZE A2	CAGE CODE 00779
		CUSTOMER DRAWING		DRAWING NO 1735871	SCALE 4:1 SHEET 3 OF 3 REV B

X-ON Electronics

Largest Supplier of Electrical and Electronic Components

Click to view similar products for [I/O Connectors](#) category:

Click to view products by [TE Connectivity](#) manufacturer:

Other Similar products are found below :

[571763P](#) [72.250.1628.2](#) [72.250.2428.2](#) [74720-0505](#) [76.350.0729.0](#) [76871-1403](#) [FCN-244F080-G/1](#) [FCN-260A9920](#) [MP-5T180MUNNA-005](#)
[PCR-E36PM](#) [PCS-XE26MA+](#) [G38A71314B](#) [1571250010](#) [157-22500-3](#) [MS3471L14-19P L/C](#) [91-569786-35H](#) [172501-4002](#) [172501-6002](#)
[FCN-260C008-A/L0](#) [FCN-260C024-AL0](#) [FCN-261Z008](#) [2000314-1](#) [200331-1](#) [PCR-E36FC+](#) [PCS-E28FS+](#) [PCS-XE26SLFD+](#) [PCS-](#)
[XE26SLFDT+](#) [G730VID08BDC24](#) [U90B2054081210](#) [UE86K842720321](#) [38113800006](#) [DP3AR020WQ1R200](#) [Z4.102.0680.0](#) [500-1040](#)
[500-1052](#) [500-1054](#) [ZP-4008-66L](#) [0709821002](#) [10-565995-597N](#) [DX40-20P\(55\)](#) [5554841-1](#) [U90B3054061110](#) [U65-E04-4020](#)
[ZPF00000000097891](#) [557-262M2-06C](#) [747360449](#) [10099439-003C-TRLF](#) [10137239-0021LF](#) [E9320-001-01](#) [10137239-0011LF](#)