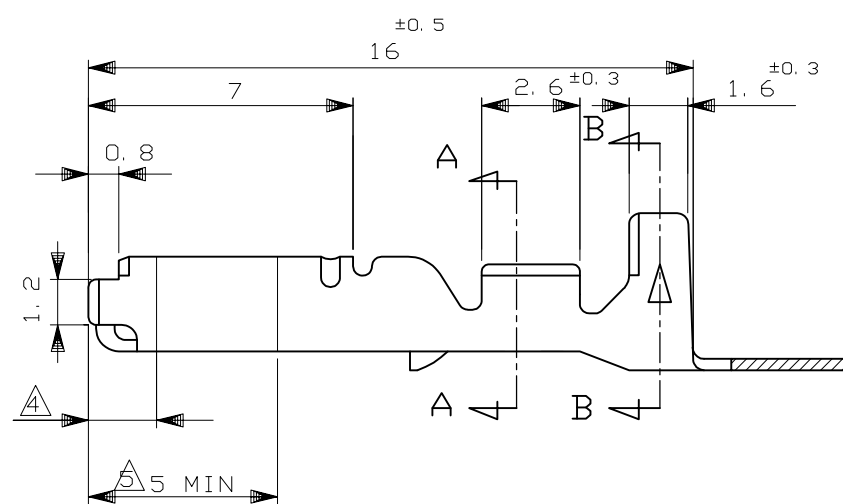
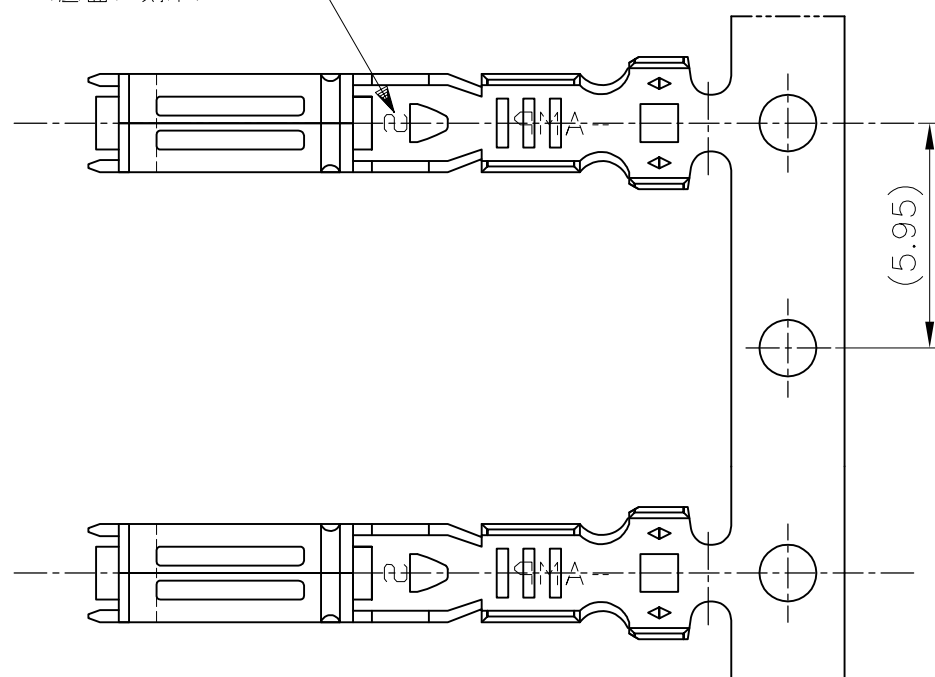
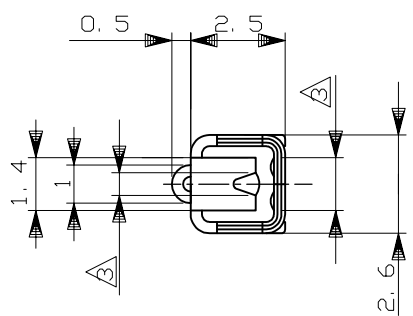
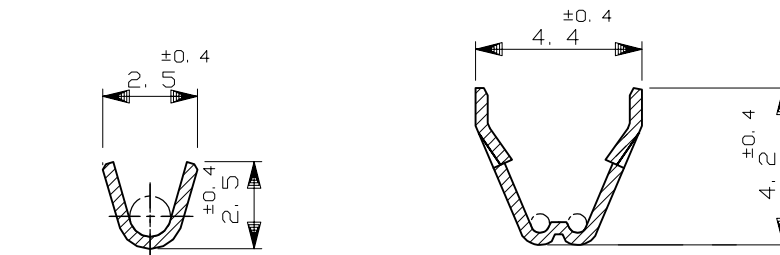


WIRE RANGE ID MARK
 (<"S" SIZE MARK>
 <STAMPED ON BOTTOM>
 端子識別マーク"S"
 (底面に刻印)

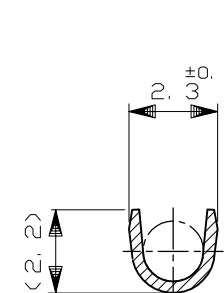


REVISIONS					
P	LTR	DESCRIPTION	DATE	DWN	APVD
G1	REVISED	ECR-19-018615	17JUL2020	DM	HK

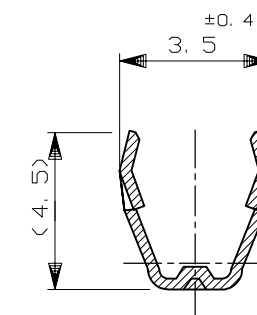


断面 A-A
SECT A-A

断面 B-B
SECT B-B



断面 A-A
SECT A-A
(175026のみ適用)
(ONLY 175026)



断面 B-B
SECT B-B
(175026のみ適用)
(ONLY 175026)

- 製品規格 ; 108-5216, 108-5231, 108-5264
- 取付適用規格 ; 114-5091
- 部分金めっき (接触面のみ)
- 識別用金めっき (全周)
- 部分金めっき (両側のみ)

- SPEC; 108-5216, 108-5231, 108-5264
- APPLICATION SPEC; 114-5091
- SELECTIVE GOLD PLATING (ONLY CONTACT SIDE)
- GOLD PLATING FOR DISCERNMENT (ALL AROUND)
- SELECTIVE GOLD PLATING (ONLY BOTH SIDES OF THE BOX)

TOLERANCE UNLESS OTHERWISE SPECIFIED: 一般公差	
0 < x ≤ 10	± 0.2
10 < x ≤ 30	± 0.25
30 < x ≤ 100	± 0.3
ANGLE	± 3°

WIRE RANGE AVS 0.2~0.3mm ² (AWG#24-#22)	INSULATION DIA. 1.4~1.9 mmφ
--	--------------------------------

THIS DRAWING IS A CONTROLLED DOCUMENT.

DIMENSIONS: mm	TOLERANCES UNLESS OTHERWISE SPECIFIED: 0 PLC ± - 1 PLC ± - 2 PLC ± - 3 PLC ± - 4 PLC ± - ANGLES ± -
MATERIAL SEE TABLE	FINISH SEE TABLE

DWN T.SAGAWA 9/28'87	NAME STE TE Connectivity
CHK M.MATSUSAKA 10/6'87	
APVD M.NOGUCHI 10/7'87	
PRODUCT SPEC	
APPLICATION SPEC	RESTRICTED TO
WEIGHT	
CUSTOMER DRAWING	

175026-7	部分金めっき SELECTIVE GOLD	黄銅 板厚0.3 BRASS ±0.3	1-173630-2
175026-6	部分金めっき SELECTIVE GOLD	リン青銅 板厚0.3 PHOS BRO. ±0.3	173630-7
175026-1	錫めっき済み PRE-TINNED	銅合金 板厚0.3 COPPER ALLOY ±0.3	173630-6
175026-1	部分金めっき SELECTIVE GOLD	黄銅 板厚0.3 BRASS ±0.3	173630-2
175026-1	錫めっき済み PRE-TINNED	黄銅 板厚0.3 BRASS ±0.3	173630-1
パラ端子型番 L/P NUMBER	仕上 FINISH	材料 MATERIAL	型番 PART NUMBER

SIZE	CAGE CODE	DRAWING NO	RESTRICTED TO
A3	00779	C-173630	-
SCALE		SHEET	REV
5:1		1 OF 1	G1

X-ON Electronics

Largest Supplier of Electrical and Electronic Components

Click to view similar products for [Automotive Connectors](#) category:

Click to view products by [TE Connectivity](#) manufacturer:

Other Similar products are found below :

[003-018-000](#) [60403001](#) [60993906-B](#) [M902-2131](#) [M902-2161](#) [M902-2344](#) [72.330.1035.1](#) [73.353.4028.0](#) [F119300-B](#) [F166900](#) [F258300-B](#)
[F358300-B](#) [F407400](#) [F444110](#) [F487000](#) [F509500B-B](#) [827153-1](#) [8N1515-32-24P](#) [9-1326729-8](#) [925474-1](#) [928905-1](#) [964562-4](#) [968782-1](#)
[GT17SA-8DS-HU](#) [98891-1012](#) [98947-1016](#) [12004147](#) [12004475-L](#) [12010290](#) [12010309-B](#) [12015454](#) [12020219-B](#) [12041318-B](#) [12052225-](#)
[L](#) [12052466](#) [12064869](#) [12004327-B](#) [12015308](#) [12015384](#) [12015909](#) [1-21030-1](#) [12041254](#) [12041318](#) [12047946-B](#) [12047957](#) [12047957-L](#)
[12059473](#) [12066261](#) [12110546](#) [12110546-B](#)