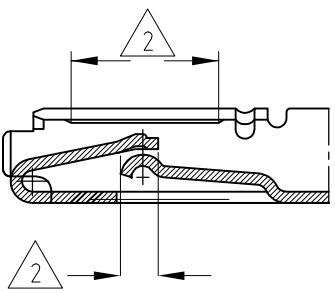
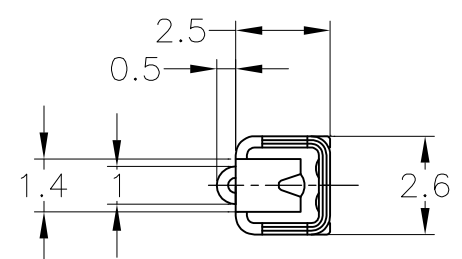


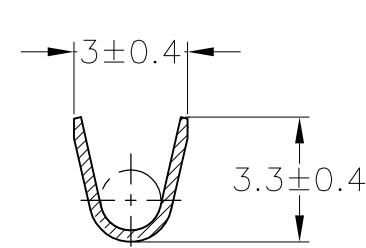
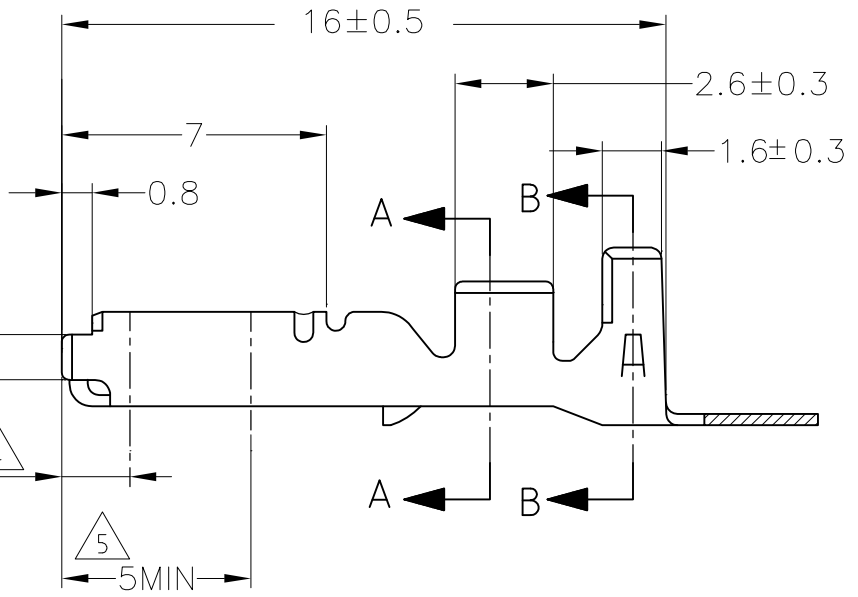
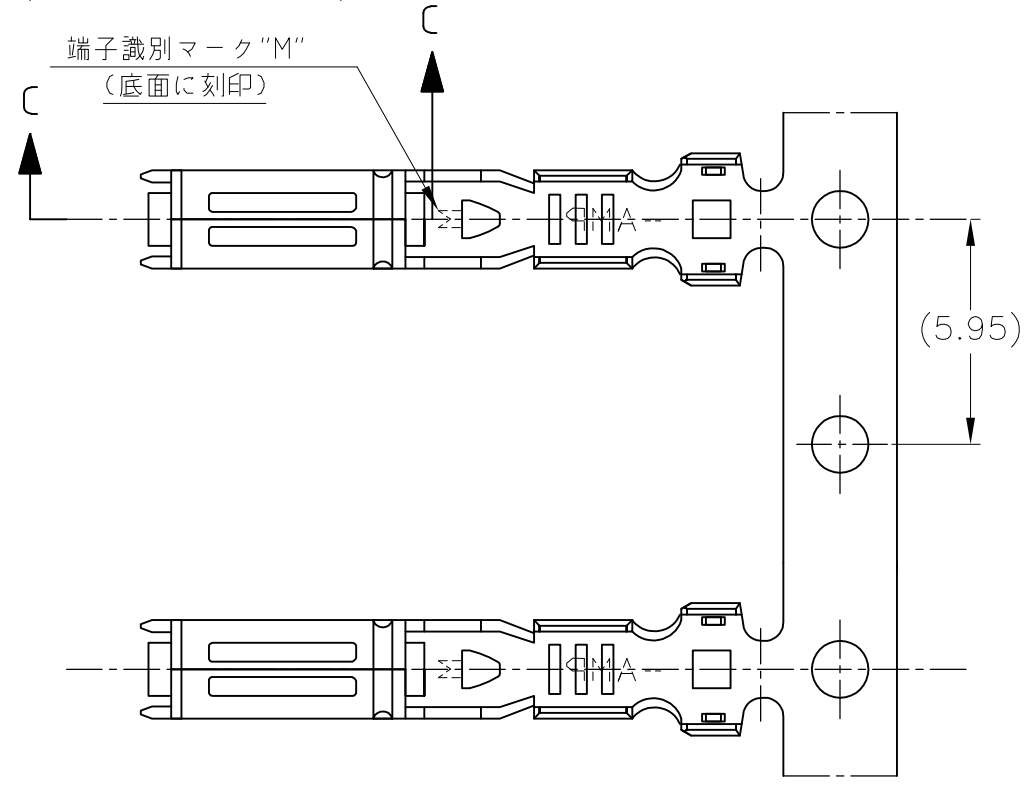
WIRE RANGE ID MARK  
("M" SIZE MARK)  
(STAMPED ON BOTTOM)

端子識別マーク "M"  
(底面に刻印)

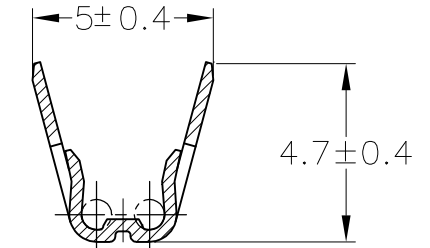
REVISIONS 変更					
P	LTR	DESCRIPTION	DATE	DWN	APVD
	F1	REVISED	ECR-19-018615	17JUL2020	DM HK



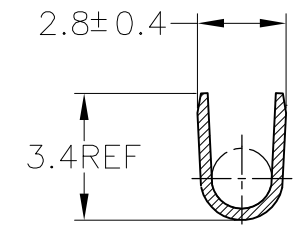
断面 C-C  
SECT C-C



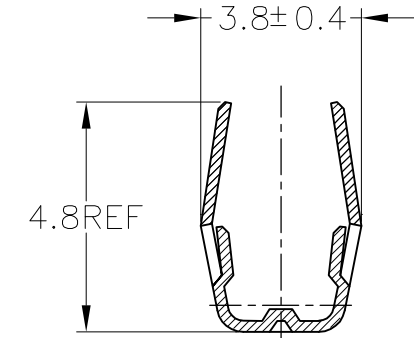
断面 A-A  
SECT A-A



断面 B-B  
SECT B-B



断面 A-A  
SECT A-A  
(175027のみ適用)  
(ONLY 175027)



断面 B-B  
SECT B-B  
(175027のみ適用)  
(ONLY 175027)

- 1. 製品規格; 108-5216, 108-5231, 108-5264, 108-3371
- 2. 部分金めっき
- 3. 取付適用規格; 114-5091
- 4. 識別用金めっき (全周)
- 5. 部分金めっき (両側のみ)

- 1. SPEC; 108-5216, 108-5231, 108-5264, 108-3371
- 2. SELECTIVE GOLD PLATING
- 3. APPLICATION SPEC; 114-5091
- 4. GOLD PLATING FOR DISCERNMENT (ALL AROUND)
- 5. SELECTIVE GOLD PLATING (ONLY BOTH SIDES OF THE BOX)

TOLERANCE UNLESS OTHERWISE SPECIFIED: 一般公差	
0 < x ≤ 10	: ±0.2
10 < x ≤ 30	: ±0.25
30 < x ≤ 100	: ±0.3
ANGLE	: ±3°

DIMENSIONS: 単位: 耗 mm		TOLERANCES UNLESS OTHERWISE SPECIFIED: 一般公差	
0 PLC	±	0 PLC	±
1 PLC	±	1 PLC	±
2 PLC	±	2 PLC	±
3 PLC	±	3 PLC	±
4 PLC	±	4 PLC	±
ANGLES	±	ANGLES	±

MATERIAL  
材料  
SEE TABLE

FINISH  
仕上  
SEE TABLE

WIRE RANGE  
0.5~1.25mm<sup>2</sup>  
(AWG#20-#16)

INSULATION DIA.  
2~2.6mmφ

Part No.	Finish	Material	Part No.
175027-7	部分金めっき SELECTIVE GOLD	リン青銅 板厚0.3 PHOS BRO. ±0.3	173631-7
175027-6	錫めっき済み PRE-TINNED	銅合金 板厚0.3 COPPER ALLOY ±0.3	173631-6
175027-2	部分金めっき SELECTIVE GOLD	黄銅 板厚0.3 BRASS ±0.3	173631-2
175027-1	錫めっき済み PRE-TINNED	黄銅 板厚0.3 BRASS ±0.3	173631-1
パラ端子型番 L/P NUMBER	仕上 FINISH	材料 MATERIAL	型番 PART NUMBER

THIS DRAWING IS A CONTROLLED DOCUMENT.

DWN	M.SUGAWARA	12MAY06
CHK	T.SHINOHARA	12MAY06
APVD	K.BETSUI	12MAY06
PRODUCT SPEC	製品規格	SEE NOTE 1
APPLICATION SPEC	取付適用規格	SEE NOTE 3
WEIGHT	-	



070 SERIES RECEPTACLE CONTACT

SIZE	CAGE CODE	DRAWING NO 番号	RESTRICTED TO
A3	00779	C-173631	-

## X-ON Electronics

Largest Supplier of Electrical and Electronic Components

*Click to view similar products for [Automotive Connectors](#) category:*

*Click to view products by [TE Connectivity](#) manufacturer:*

Other Similar products are found below :

[003-018-000](#) [60403001](#) [60993906-B](#) [M902-2131](#) [M902-2161](#) [72.330.1035.1](#) [73.353.4028.0](#) [F119300-B](#) [F166900](#) [F258300-B](#) [F358300-B](#)  
[F407400](#) [F444110](#) [F487000](#) [F509500B-B](#) [827153-1](#) [8N1515-32-24P](#) [9-1326729-8](#) [925474-1](#) [928905-1](#) [964562-4](#) [968782-1](#) [GT17SA-8DS-](#)  
[HU](#) [98891-1012](#) [98947-1016](#) [12004147](#) [12004475-L](#) [12010290](#) [12010309-B](#) [12015454](#) [12020219-B](#) [12020308](#) [12041318-B](#) [12052225-L](#)  
[12052466](#) [12059125](#) [12064869](#) [12004327-B](#) [12010503-B](#) [12015308](#) [12015384](#) [12015909](#) [1-21030-1](#) [12041254](#) [12041318](#) [12047946-B](#)  
[12047957](#) [12047957-L](#) [12059473](#) [12066261](#)