

THIS DRAWING IS UNPUBLISHED.

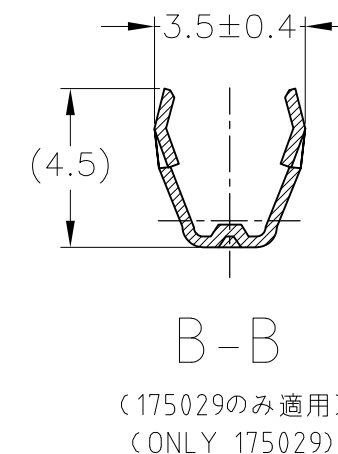
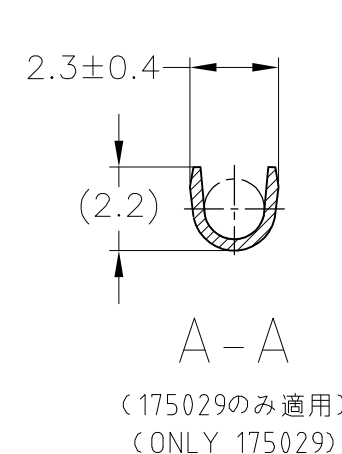
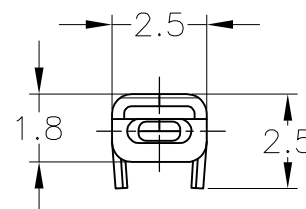
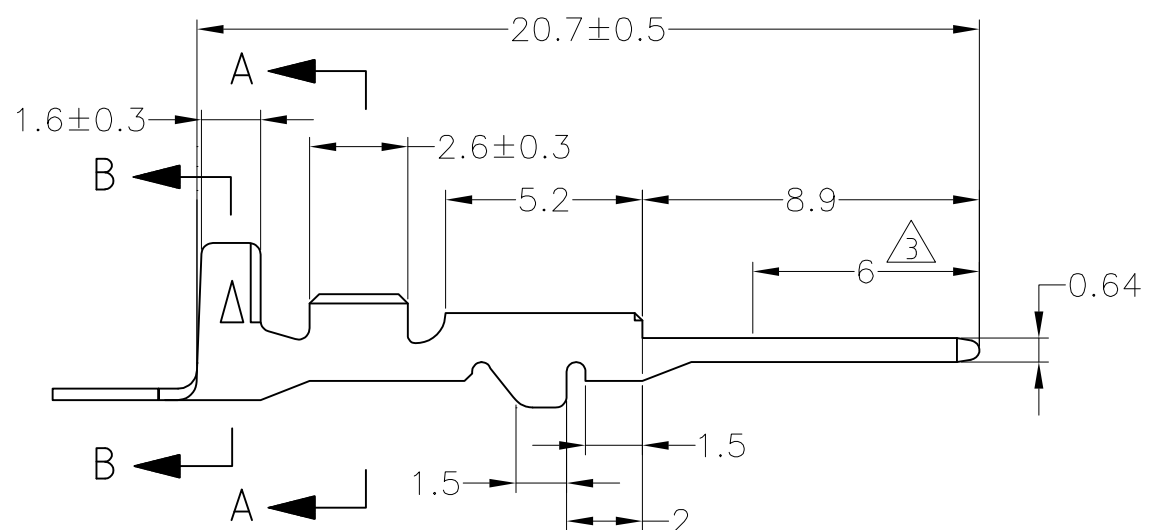
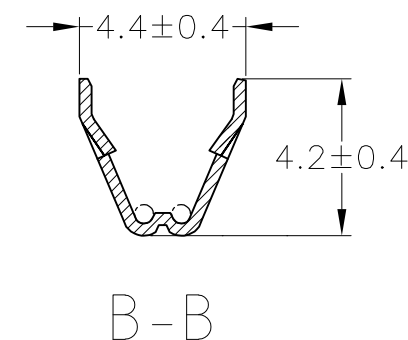
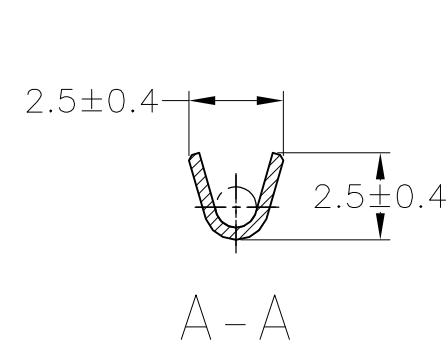
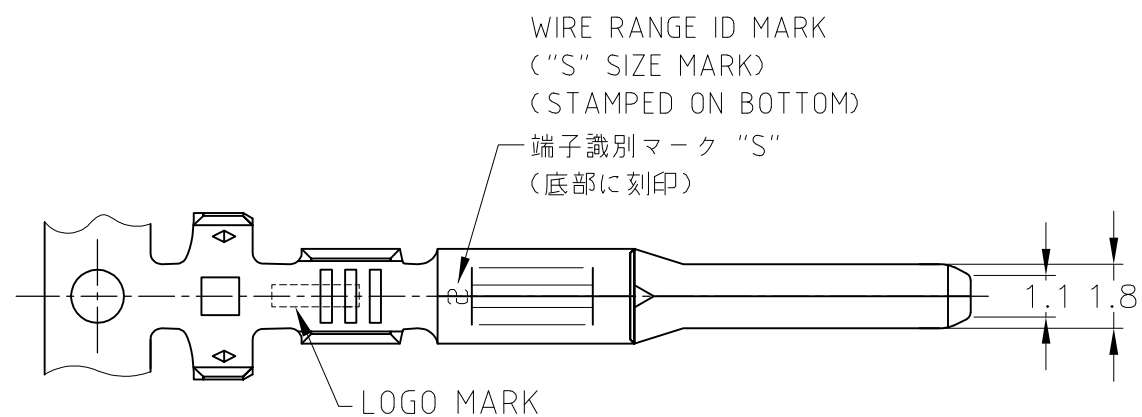
RELEASED FOR PUBLICATION DEC. 2017.

© COPYRIGHT 2017 By Tyco Electronics JAPAN G.K.

ALL RIGHTS RESERVED.

REVISIONS

P	LTR	DESCRIPTION	DATE	DWN	APVD
	E	REVISED	ECR-17-012605	25DEC2017	YN TK



- 1. 製品規格番号 ; 108-5231, 108-5264
- 2. 嵌合相手端子型番 ; 173630 他
- 3. 部分金めっき, 他はニッケルめっき

- 1. PRODUCT SPECIFICATION NO. ; 108-5231, 108-5264
- 2. RECEPTACLE CONTACT ; 173630 etc.
- 3. SELECTIVE GOLD PLATING, REMAINDER NICKEL PLATING

175029-3	部分金めっき SELECTIVE GOLD	リン青銅 板厚0.32 PHOS BRO. t=0.32	173633-3		
175029-2	錫めっき済み PRE-TINNED	リン青銅 板厚0.32 PHOS BRO. t=0.32	173633-2		
175029-1	錫めっき済み PRE-TINNED	黄銅 板厚0.32 BRASS t=0.32	173633-1		
WIRE RANGE AVS 0.2~0.3mm <sup>2</sup> (AWG#24-#22)	INSULATION DIA. 1.4~1.9mmφ	バラ端子型番 LOOSE PIECE NUMBER	仕上げ FINISH	材料 MATERIAL	型番 PART NUMBER

WIRE RANGE  
AVS 0.2~0.3mm<sup>2</sup>  
(AWG#24-#22)

INSULATION DIA.  
1.4~1.9mmφ

バラ端子型番  
LOOSE PIECE NUMBER

仕上げ  
FINISH

材料  
MATERIAL

型番  
PART NUMBER

THIS DRAWING IS A CONTROLLED DOCUMENT.

DWN T.SHINOHARA 14JUN2012

CHK K.BETSUI 14JUN2012

APVD K.BETSUI 14JUN2012

PRODUCT SPEC

SEE NOTE 1

APPLICATION SPEC

114-5092

WEIGHT 0.3 g

CUSTOMER DRAWING

NAME

SIZE

CAGE CODE

DRAWING NO

RESTRICTED TO

A3

00779

C=173633

SCALE

5:1

SHEET

1 OF 1

REV

E

**STE** TE Connectivity Ltd.

070 SERIES TAB CONTACT

TOLERANCES UNLESS OTHERWISE SPECIFIED:	
10 ≥	: ±0.2
30 ≥	: ±0.25
100 ≥	: ±0.3
ANGLE : ±3°	

DIMENSIONS:	TOLERANCES UNLESS OTHERWISE SPECIFIED:
mm	
0 PLC	± -
1 PLC	± -
2 PLC	± -
3 PLC	± -
4 PLC	± -
ANGLES	± -

MATERIAL	FINISH
SEE TABLE	SEE TABLE

## X-ON Electronics

Largest Supplier of Electrical and Electronic Components

*Click to view similar products for [Automotive Connectors](#) category:*

*Click to view products by [TE Connectivity](#) manufacturer:*

Other Similar products are found below :

[003-018-000](#) [60403001](#) [60993906-B](#) [M902-2131](#) [M902-2161](#) [M902-2344](#) [72.330.1035.1](#) [73.353.4028.0](#) [F119300-B](#) [F166900](#) [F258300-B](#)  
[F358300-B](#) [F407400](#) [F444110](#) [F487000](#) [F509500B-B](#) [827153-1](#) [8N1515-32-24P](#) [9-1326729-8](#) [925474-1](#) [928905-1](#) [964562-4](#) [968782-1](#)  
[GT17SA-8DS-HU](#) [98891-1012](#) [98947-1016](#) [12004147](#) [12004475-L](#) [12010290](#) [12010309-B](#) [12015454](#) [12020219-B](#) [12041318-B](#) [12052225-](#)  
[L](#) [12052466](#) [12064869](#) [12004327-B](#) [12015308](#) [12015384](#) [12015909](#) [1-21030-1](#) [12041254](#) [12041318](#) [12047946-B](#) [12047957](#) [12047957-L](#)  
[12059473](#) [12066261](#) [12110546](#) [12110546-B](#)