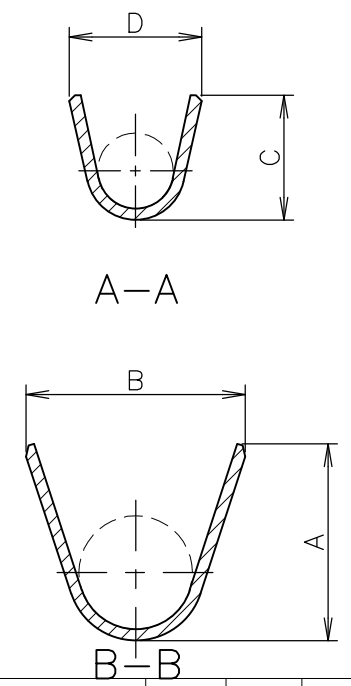
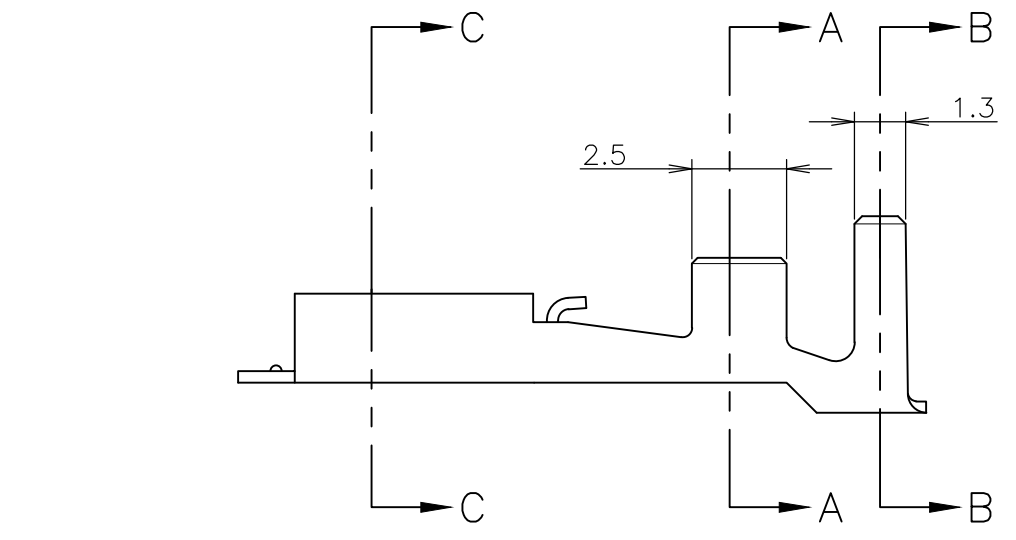
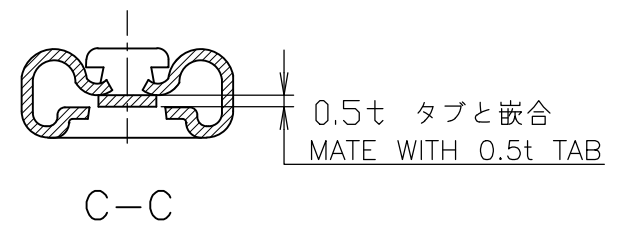
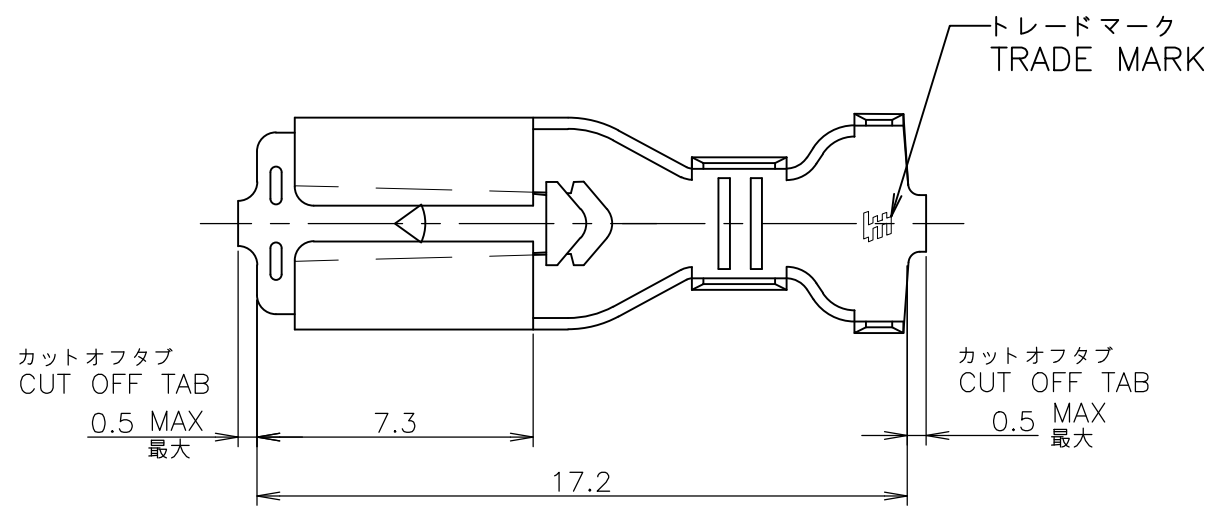


THIS DRAWING IS UNPUBLISHED. RELEASED FOR PUBLICATION MAY, 1999.  
 © COPYRIGHT 1999 By - ALL RIGHTS RESERVED.

LOC	DIST	REVISIONS					
J	/	P	LTR	DESCRIPTION	DATE	DWN	APVD
			L5	REVISED PER ECO-20-009968	14JUL20	DT	EW



- 1, -5, -7; AS SHOWN
- 1 運用スリーブ型番: 174737
  - 2 取扱い説明書: 411-5391
  - 3 手動工具型番: 911588-1
  - 4 材料: 錫めっき済み黄銅 (0.3t)
  - 5 材料: 錫めっき済み磷青銅 (0.3t)
- 
- 1 APPLICABLE SLEEVE P/N: 174737
  - 2 INSTRUCTION SHEET NO: 411-5391
  - 3 HAND TOOL NO.: 911588-1
  - 4 MATERIAL: PRE-TIN BRASS (0.3t)
  - 5 MATERIAL: PRE-TIN PHOS BRO (0.3t)
  - 6 ADD SEPERATED PACKAGING PAPER OUTSIDE OF THE REELING

AWG #16-#14	3.8	4.1	5.8	5.2	108-5236	4		10, INCH PAPER REEL	173724-2
AWG #20-#14	3.5	3.3	5.8	5.2	108-5236	4	173725-1	10, INCH PAPER REEL	2232976-1
AWG #20-#18	2.8	2.7	4.3	4.2	108-5236	4	173725-7	10, INCH PAPER REEL	173724-7
AWG #20-#14	3.5	3.3	5.8	4.2	108-5685	5		10, INCH PAPER REEL	173724-5
	3.5	3.3	5.8	5.2	108-5236	4	173725-1	10, INCH PAPER REEL	173724-1
WIRE RANGE	D	C	B	A	PRODUCT SPEC 製品規格	MATERIAL 材料	L.P.NO. ばら状端子型番	REEL SIZE	P/N 型番

WIRE RANGE 抱合電線断面積 AWG #20-#14 0.5~2.2 mm<sup>2</sup> INSULATION DIA 被覆外径 1.9~4.4 mm $\phi$

**GENERAL TOLERANCE 一般公差**

10  $\geq$  :  $\pm 0.2$   
 30  $\geq$  > 10:  $\pm 0.25$   
 100  $\geq$  > 30:  $\pm 0.3$   
 ANGLES:  $\pm 3^\circ$

THIS DRAWING IS A CONTROLLED DOCUMENT.

DIMENSIONS: 単位: 耗 mm	TOLERANCES UNLESS OTHERWISE SPECIFIED: 一般公差
	0 PLC $\pm$ 1 PLC $\pm$ 2 PLC $\pm$ 3 PLC $\pm$ 4 PLC $\pm$ ANGLES $\pm$
MATERIAL 表参照 材料 SEE TABLE	FINISH 仕上

DWN M.SUZUKI 10MAY1999  
 CHK M.SHINDO 10MAY1999  
 APVD M.SHINDO 10MAY1999  
 PRODUCT SPEC 表参照  
製品規格  
SEE TABLE  
 APPLICATION SPEC  
取付適用規格  
114-5114  
 WEIGHT

**STE** TE Connectivity

187 SERIES POSITIVE LOCK-EX  
 187 シリーズ ポジティブ ブロック-EX リセブタクル

SIZE	CAGE CODE	DRAWING NO 番号	RESTRICTED TO
A3	00779	C-173724	

CUSTOMER DRAWING SCALE 尺度 5:1 SHEET 1 OF 1 REV L5

## X-ON Electronics

Largest Supplier of Electrical and Electronic Components

*Click to view similar products for [Automotive Connectors](#) category:*

*Click to view products by [TE Connectivity](#) manufacturer:*

Other Similar products are found below :

[003-018-000](#) [60403001](#) [60993906-B](#) [M902-2131](#) [M902-2161](#) [M902-2344](#) [72.330.1035.1](#) [73.353.4028.0](#) [F119300-B](#) [F166900](#) [F258300-B](#)  
[F358300-B](#) [F407400](#) [F444110](#) [F487000](#) [F509500B-B](#) [827153-1](#) [8N1515-32-24P](#) [9-1326729-8](#) [925474-1](#) [928905-1](#) [964562-4](#) [968782-1](#)  
[GT17SA-8DS-HU](#) [98891-1012](#) [98947-1016](#) [12004147](#) [12004475-L](#) [12010290](#) [12010309-B](#) [12015454](#) [12020219-B](#) [12041318-B](#) [12052225-](#)  
[L](#) [12052466](#) [12064869](#) [12004327-B](#) [12015308](#) [12015384](#) [12015909](#) [1-21030-1](#) [12041254](#) [12041318](#) [12047946-B](#) [12047957](#) [12047957-L](#)  
[12059473](#) [12066261](#) [12110546](#) [12110546-B](#)