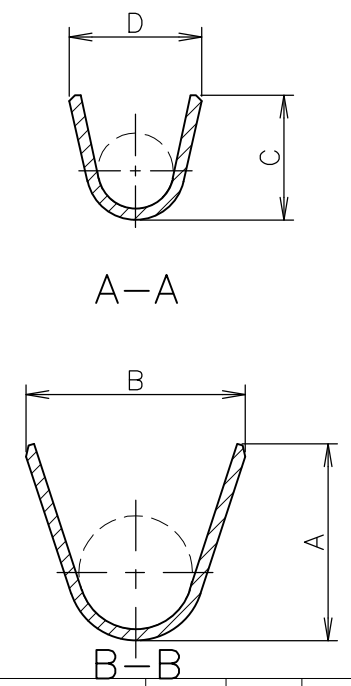
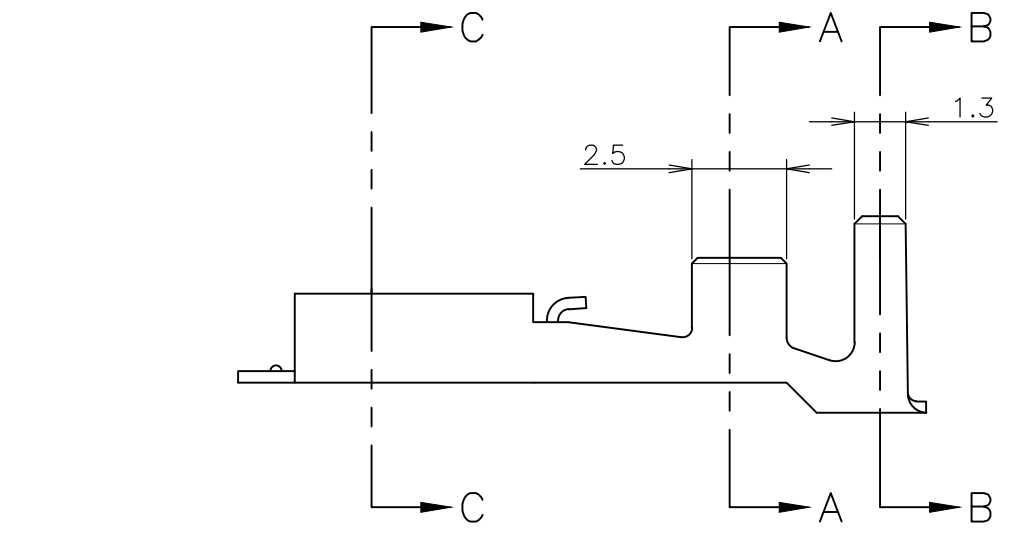
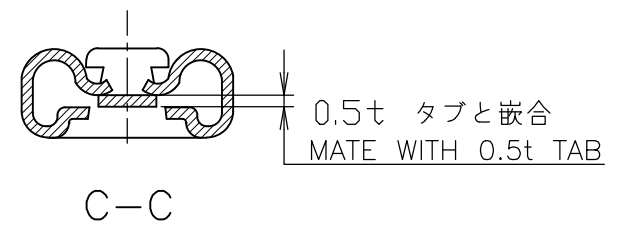
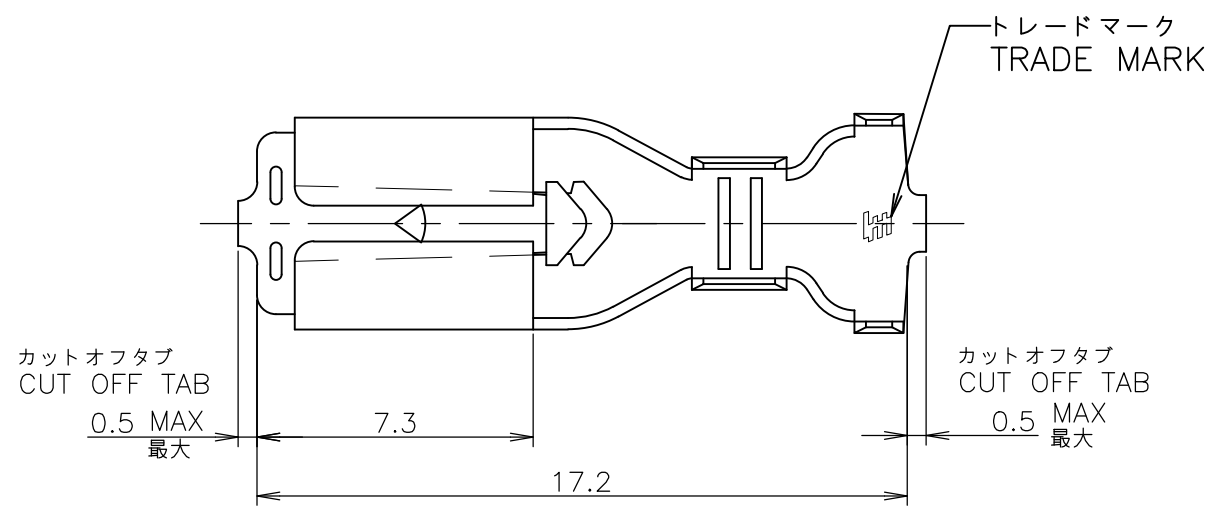


THIS DRAWING IS UNPUBLISHED. RELEASED FOR PUBLICATION MAY, 1999.
 © COPYRIGHT 1999 By - ALL RIGHTS RESERVED.

LOC	DIST	REVISIONS					
J	/	P	LTR	DESCRIPTION	DATE	DWN	APVD
			L5	REVISED PER ECO-20-009968	14JUL20	DT	EW



- 1, -5, -7; AS SHOWN
- 1 運用スリーブ型番: 174737
 - 2 取扱い説明書: 411-5391
 - 3 手動工具型番: 911588-1
 - 4 材料: 錫めっき済み黄銅 (0.3t)
 - 5 材料: 錫めっき済み磷青銅 (0.3t)
-
- 1 APPLICABLE SLEEVE P/N: 174737
 - 2 INSTRUCTION SHEET NO: 411-5391
 - 3 HAND TOOL NO.: 911588-1
 - 4 MATERIAL: PRE-TIN BRASS (0.3t)
 - 5 MATERIAL: PRE-TIN PHOS BRO (0.3t)
 - 6 ADD SEPERATED PACKAGING PAPER OUTSIDE OF THE REELING

AWG #16-#14	3.8	4.1	5.8	5.2	108-5236	4		10, INCH PAPER REEL	173724-2
AWG #20-#14	3.5	3.3	5.8	5.2	108-5236	4	173725-1	10, INCH PAPER REEL	2232976-1
AWG #20-#18	2.8	2.7	4.3	4.2	108-5236	4	173725-7	10, INCH PAPER REEL	173724-7
AWG #20-#14	3.5	3.3	5.8	4.2	108-5685	5		10, INCH PAPER REEL	173724-5
	3.5	3.3	5.8	5.2	108-5236	4	173725-1	10, INCH PAPER REEL	173724-1
WIRE RANGE	D	C	B	A	PRODUCT SPEC 製品規格	MATERIAL 材料	L.P.NO. ばら状端子型番	REEL SIZE	P/N 型番

WIRE RANGE 抱合電線断面積 AWG #20-#14 0.5~2.2 mm² INSULATION DIA 被覆外径 1.9~4.4 mm ϕ

GENERAL TOLERANCE 一般公差
 10 \geq : ± 0.2
 30 \geq > 10: ± 0.25
 100 \geq > 30: ± 0.3
 ANGLES: $\pm 3^\circ$

THIS DRAWING IS A CONTROLLED DOCUMENT.

DIMENSIONS: 単位: 耗 mm	TOLERANCES UNLESS OTHERWISE SPECIFIED: 一般公差
	0 PLC \pm
	1 PLC \pm
	2 PLC \pm
	3 PLC \pm
	4 PLC \pm
	ANGLES \pm
MATERIAL 表参照 材料 SEE TABLE	FINISH 仕上

DWN M.SUZUKI 10MAY1999
 CHK M.SHINDO 10MAY1999
 APVD M.SHINDO 10MAY1999
 PRODUCT SPEC 表参照
 製品規格 SEE TABLE
 APPLICATION SPEC
 取付適用規格 114-5114
 WEIGHT

STE TE Connectivity

187 SERIES POSITIVE LOCK-EX
 187 シリーズ ポジティブ ブロック-EX リセブタクル

SIZE	CAGE CODE	DRAWING NO 番号	RESTRICTED TO
A3	00779	C-173724	

CUSTOMER DRAWING SCALE 尺度 5:1 SHEET 1 OF 1 REV L5

X-ON Electronics

Largest Supplier of Electrical and Electronic Components

Click to view similar products for [Automotive Connectors](#) category:

Click to view products by [TE Connectivity](#) manufacturer:

Other Similar products are found below :

[003-018-000](#) [60403001](#) [60993906-B](#) [M902-2131](#) [M902-2161](#) [72.330.1035.1](#) [73.353.4028.0](#) [F119300-B](#) [F166900](#) [F258300-B](#) [F358300-B](#)
[F407400](#) [F444110](#) [F487000](#) [F509500B-B](#) [827153-1](#) [8N1515-32-24P](#) [9-1326729-8](#) [925474-1](#) [928905-1](#) [964562-4](#) [968782-1](#) [GT17SA-8DS-](#)
[HU](#) [98891-1012](#) [98947-1016](#) [12004147](#) [12004475-L](#) [12010290](#) [12010309-B](#) [12015454](#) [12020219-B](#) [12020308](#) [12041318-B](#) [12052225-L](#)
[12052466](#) [12059125](#) [12064869](#) [12004327-B](#) [12010503-B](#) [12015308](#) [12015384](#) [12015909](#) [1-21030-1](#) [12041254](#) [12041318](#) [12047946-B](#)
[12047957](#) [12047957-L](#) [12059473](#) [12066261](#)