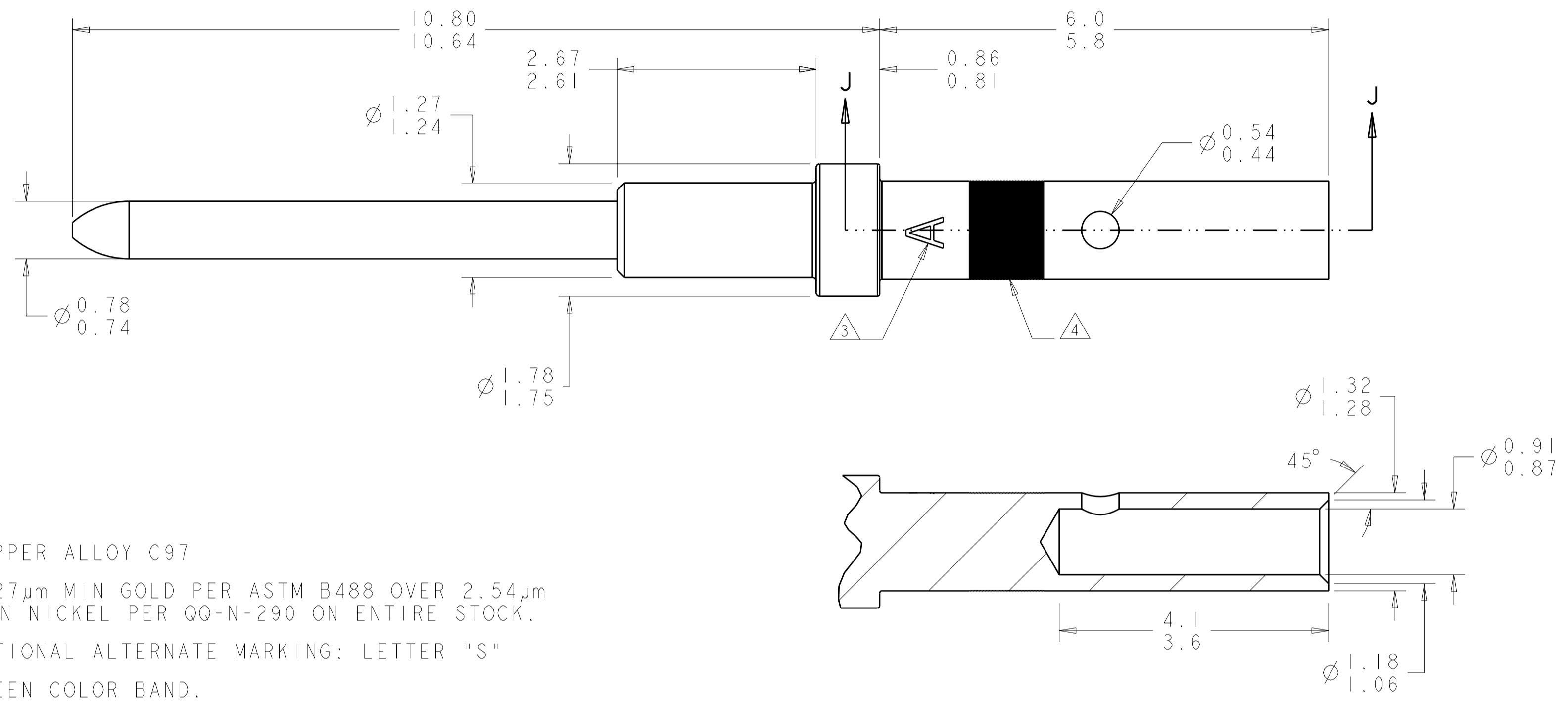


THIS DRAWING IS UNPUBLISHED. RELEASED FOR PUBLICATION  
 © COPYRIGHT BY TYCO ELECTRONICS CORPORATION. ALL RIGHTS RESERVED.

| LOC | DIST | REVISIONS   |                       |          |       |
|-----|------|-------------|-----------------------|----------|-------|
| P   | LTR  | DESCRIPTION | DATE                  | DWN      | APVD  |
| -   | -    | A           | REV PER ECO 10-023341 | 11-16-10 | CT KH |



- ① COPPER ALLOY C97
- ② 1.27µm MIN GOLD PER ASTM B488 OVER 2.54µm MIN NICKEL PER QQ-N-290 ON ENTIRE STOCK.
- ③ OPTIONAL ALTERNATE MARKING: LETTER "S"
- ④ GREEN COLOR BAND.
- 5. APPLICABLE WIRE SIZE: 22-24-26 AWG  
 WIRE INSULATION DIAMETER: 1.4 MAX  
 INSULATION STRIP LENGTH: 3.08-3.58
- 6. APPLICATION TOOLING:  
 CRIMPING TOOL: TYCO PART NUMBER 601966-1 (M22520/2-01)  
 POSITIONER: TYCO PART NUMBER 601966-8 (M22520/2-23)  
 SELECTOR POSITION: AWG 22: 4  
                                   AWG 24: 3  
                                   AWG 26: 3  
 CONTACT INSERTION/EXTRCTION TOOL: 91066-1 (M81969/1-01)
- 7. THIS PRODUCT IS SOLD BY TYCO ELECTRONICS UNDER A LICENSE FROM RADIALL SA.

SECTION J-J

1738007-1  
 PART NUMBER

|  |  |                   |                       |   |                    |
|--|--|-------------------|-----------------------|---|--------------------|
| THIS DRAWING IS A CONTROLLED DOCUMENT FOR TYCO ELECTRONICS CORPORATION<br>IT IS SUBJECT TO CHANGE AND THE CONTROLLING ENGINEERING ORGANIZATION<br>SHOULD BE CONTACTED FOR THE LATEST REVISION. |  | DWN<br>BH         | 12AUG2004             | Tyco Electronics<br>Harrisburg, PA 17105-3608 |                    |
| DIMENSIONS:<br>mm  |  | CHK<br>JPM        | 12AUG2004             | NAME<br>PIN CONTACT, SIZE 22, GPR             |                    |
| TOLERANCES UNLESS OTHERWISE SPECIFIED:<br>0 PLC ±<br>1 PLC ±<br>2 PLC ±<br>3 PLC ±<br>4 PLC ±<br>ANGLES ±30'<br>FINISH   |  | APVD<br>JPM       | 12AUG2004             | SIZE<br>A2                                    | CAGE CODE<br>00779 |
| MATERIAL<br>①  |  | PRODUCT SPEC<br>- | APPLICATION SPEC<br>- | DRAWING NO<br>1738007                         | RESTRICTED TO<br>- |
|  |  | WEIGHT<br>-       | CUSTOMER DRAWING      | SCALE<br>20:1                                 | SHEET 1 OF 1 REV A |

## X-ON Electronics

Largest Supplier of Electrical and Electronic Components

*Click to view similar products for [Rack & Panel Connectors](#) category:*

*Click to view products by [TE Connectivity](#) manufacturer:*

Other Similar products are found below :

[00171410002](#) [00171420202](#) [00171440002](#) [02-014-013-5200-000](#) [613467-000](#) [CTJ112E01E-513](#) [CTJ116E03A-513](#) [66020-2](#) [CW8958-000](#)  
[699886-000](#) [D250-50632](#) [70.400.3240.0](#) [70.955.2453.3](#) [733753-000](#) [F22831-000](#) [780-522-DPX34RG8-02](#) [8660-501](#) [87.060.0053.0](#)  
[900709N001](#) [928358-1](#) [D-659-0061](#) [1-445717-6](#) [1484469-2](#) [1604997-2](#) [MTC100-BF1-P31CS015](#) [MTC100-KT2-0083](#) [MTC100-KT2-0123-](#)  
[003](#) [MTC100-YA1-005](#) [MTCQPQT1R2PGCA](#) [MTCR-103-04S](#) [MTCX1X-100-100CS025](#) [1738331-1](#) [1757667-1](#) [1811481-1](#) [1883433-1](#)  
[201046-7](#) [202648-4](#) [213364-1](#) [226503-000](#) [937028-164](#) [1663130-2](#) [172305-4](#) [F36711-000](#) [202355-2](#) [202356-2](#) [G16S-A](#) [G20S-AB](#) [CHA-](#)  
[0017-003](#) [CHA-0296](#) [354654-000](#)