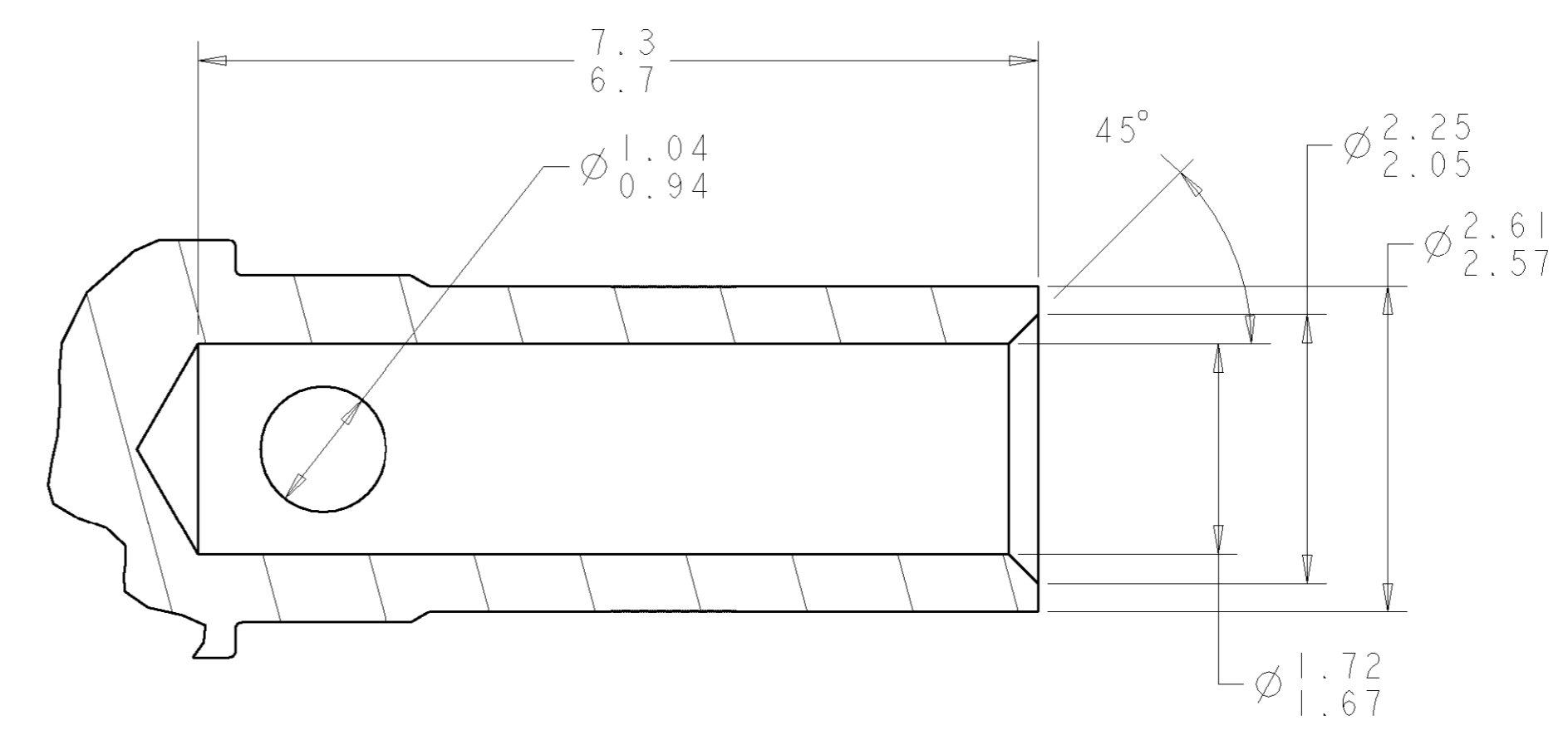
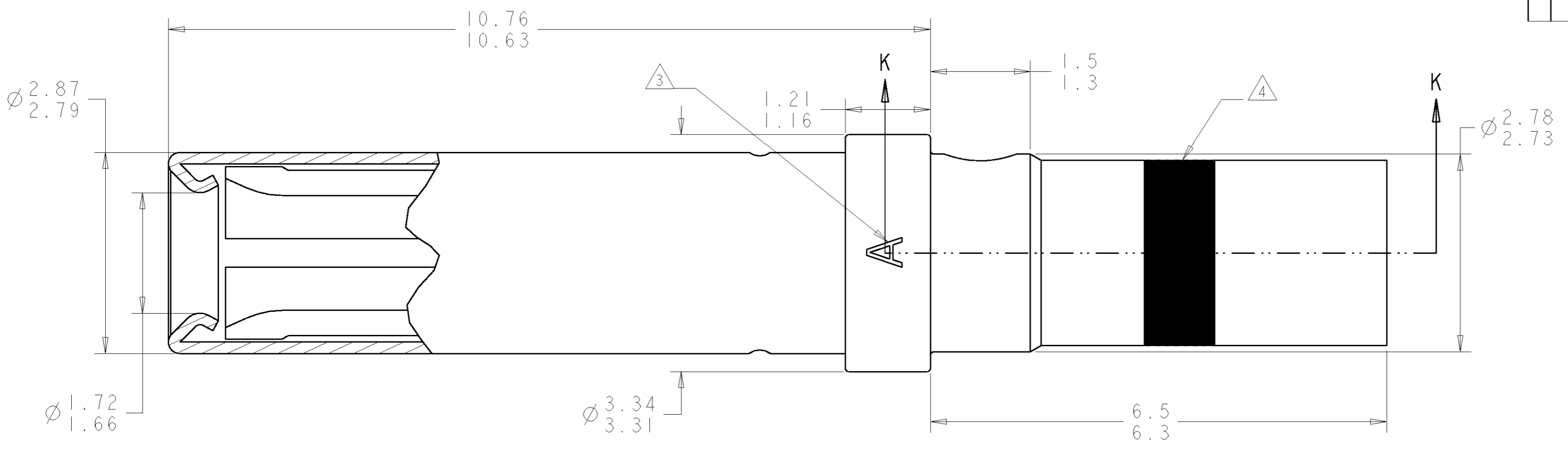


THIS DRAWING IS UNPUBLISHED. RELEASED FOR PUBLICATION 20
 © COPYRIGHT 20 BY TYCO ELECTRONICS CORPORATION. ALL RIGHTS RESERVED.

LOC	DIST	REVISIONS					
DF	A5	P	LTR	DESCRIPTION	DATE	DWN	APVD
		1		PROPOSED	24OCT05	BH	JPM



- 1 CONTACT: COPPER ALLOY PER ASTM B196
SLEEVE: STAINLESS STEEL PER AISI 305
- 2 CONTACT: 1.27µm MIN GOLD PER ASTM B488 OVER 2.54µm
MIN NICKEL PER QQ-N-290 ON ENTIRE STOCK.
SLEEVE: PASSIVATED
- 3 OPTIONAL ALTERNATE MARKING: LETTER "S"
- 4 BLUE COLOR BAND
- 5. APPLICABLE WIRE SIZE: 16-18-20 AWG
WIRE INSULATION DIAMETER: 2.6 mm MAX
INSULATION STRIP LENGTH: 6.0-6.5mm
- 6. APPLICATION TOOLING:
CRIMPING TOOL: TYCO PART NUMBER 601967-1 (M22520/1-01)
POSITIONER: TYCO PART NUMBER 601967-2 (M22520/1-02)
SELECTOR POSITION: AWG 16: 6
AWG 18: 5
AWG 20: 4
CONTACT INSERTION/EXTRACTION TOOL: 91066-3 (M81969/1-03)
- 7. THIS PRODUCT IS SOLD BY TYCO ELECTRONICS UNDER A LICENSE FROM RADIAL SA.

SECTION K-K

1738014-1
PART NUMBER

THIS DRAWING IS A CONTROLLED DOCUMENT FOR TYCO ELECTRONICS CORPORATION IT IS SUBJECT TO CHANGE AND THE CONTROLLING ENGINEERING ORGANIZATION SHOULD BE CONTACTED FOR THE LATEST REVISION.		DWN BH	24OCT2005	Tyco Electronics Harrisburg, PA 17105-3608
DIMENSIONS: mm		CHK JPM	24OCT2005	
TOLERANCES UNLESS OTHERWISE SPECIFIED: 0 PLC ± 1 PLC ±0.1 2 PLC ±0.05 3 PLC ± 4 PLC ± ANGLES ± FINISH		APVD JPM	24OCT2005	
MATERIAL		PRODUCT SPEC	-	
1 - 2 -		APPLICATION SPEC	-	NAME SOCKET CONTACT ASSEMBLY, SIZE 16, GPR
		WEIGHT	-	SIZE CAGE CODE DRAWING NO RESTRICTED TO
		CUSTOMER DRAWING		A200779 C-1738014 -
		SCALE	20:1	SHEET OF REV

X-ON Electronics

Largest Supplier of Electrical and Electronic Components

Click to view similar products for [Rack & Panel Connectors](#) category:

Click to view products by [TE Connectivity](#) manufacturer:

Other Similar products are found below :

[00171410002](#) [00171420202](#) [00171440002](#) [02-014-013-5200-000](#) [613467-000](#) [CTJ112E01E-513](#) [CTJ116E03A-513](#) [66020-2](#) [CW8958-000](#)
[699886-000](#) [D250-50632](#) [70.400.3240.0](#) [70.955.2453.3](#) [733753-000](#) [F22831-000](#) [780-522-DPX34RG8-02](#) [8660-501](#) [87.060.0053.0](#)
[900709N001](#) [928358-1](#) [D-659-0061](#) [1-445717-6](#) [1484469-2](#) [1604997-2](#) [MTC100-BF1-P31CS015](#) [MTC100-KT2-0083](#) [MTC100-KT2-0123-](#)
[003](#) [MTC100-YA1-005](#) [MTCQKT1R2PGCA](#) [MTCR-103-04S](#) [MTCX1X-100-100CS025](#) [1738331-1](#) [1757667-1](#) [1811481-1](#) [1883433-1](#)
[201046-7](#) [202648-4](#) [213364-1](#) [226503-000](#) [937028-164](#) [1663130-2](#) [172305-4](#) [F36711-000](#) [202355-2](#) [202356-2](#) [G16S-A](#) [G20S-AB](#) [CHA-](#)
[0017-003](#) [CHA-0296](#) [354654-000](#)