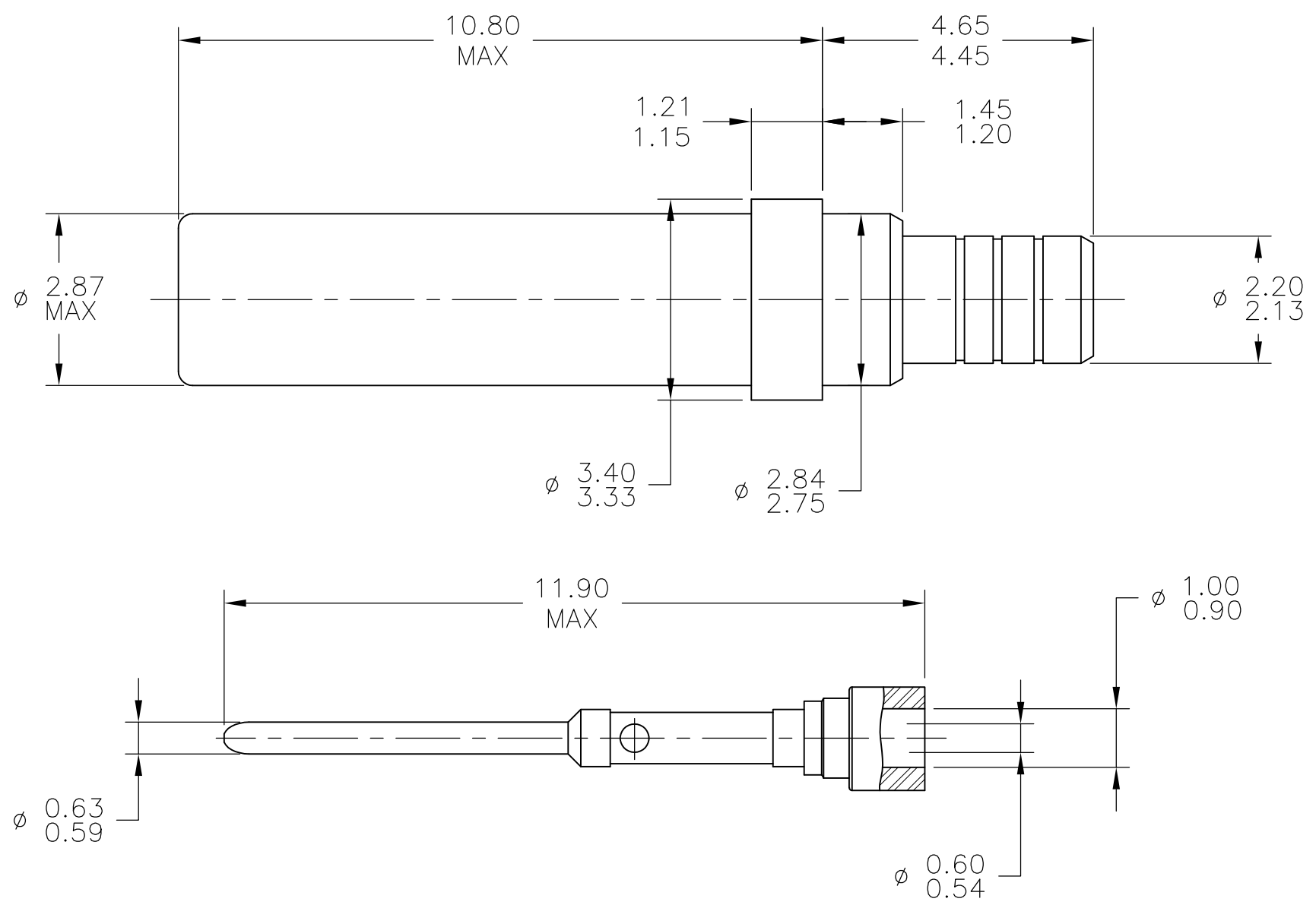


THIS DRAWING IS UNPUBLISHED. RELEASED FOR PUBLICATION  
 © COPYRIGHT - By - ALL RIGHTS RESERVED.

LOC	DIST	REVISIONS			
P	LTR	DESCRIPTION	DATE	DWN	APVD
	A	REVISED PER ECO-15-010650	27AUG2015	RS	CT



NOTES:



1. FEMALE COAX CONTACTS SIZE 15 FOR CABLE TYPE KX22 SINGLE AND DOUBLE STRANDS TYPE FILECA

MATERIALS:

OUTER CONTACT, CENTRE CONTACT, FERRULE: COPPER ALLOY PLATED GOLD OVER NICKLE  
 UNDERPLATE.  
 PROTECTING TUBE: PASSIVATED STAINLESS STEEL

3. THIS PRODUCT IS SOLD BY TYCO ELECTRONICS UNDER A LICENSE FROM RADIALL

TE PART NO.  
1738026-1

THIS DRAWING IS A CONTROLLED DOCUMENT.		DWN 27AUG2015 RAGHAV SATISH	 TE Connectivity				
DIMENSIONS: mm		CHK 27AUG2015 CHARLES THOMAS					
TOLERANCES UNLESS OTHERWISE SPECIFIED:		APVD 27AUG2015 CHARLES THOMAS	NAME GPR COAXIAL CONTACT, SOCKET, SIZE 15				
0 PLC ± - 1 PLC ± - 2 PLC ± - 3 PLC ± - 4 PLC ± - ANGLES ± -		PRODUCT SPEC -	APPLICATION SPEC -				
MATERIAL		FINISH	SIZE A3	CAGE CODE 00779	DRAWING NO C-1738026	RESTRICTED TO -	
		-	CUSTOMER DRAWING		SCALE NTS	SHEET 1 OF 1	REV A

## X-ON Electronics

Largest Supplier of Electrical and Electronic Components

*Click to view similar products for [Rack & Panel Connectors](#) category:*

*Click to view products by [TE Connectivity](#) manufacturer:*

Other Similar products are found below :

[00170420102](#) [00171420202](#) [00171440002](#) [008026165000265](#) [02-014-013-5200-000](#) [613467-000](#) [CTJ112E01E-513](#) [CTJ116E03A-513](#)  
[M81714/63-22S L/C](#) [M81714/65-12-1](#) [66020-2](#) [CW8958-000](#) [699886-000](#) [D250-50632](#) [70.400.3240.0](#) [70.955.2453.3](#) [733753-000](#) [F22831-000](#) [780-522-DPX34RG8-02](#) [MMA25-0341D1](#) [8660-501](#) [87.060.0053.0](#) [900709N001](#) [QRP4-12P-C\(01\)](#) [QR/P6-6S-C\(01\)](#) [1218600-1](#) [D-659-0061](#) [DMC-MD 24 C-T](#) [1-445717-6](#) [1484398-2](#) [1484399-2](#) [1484469-2](#) [MR-34MG](#) [1604997-2](#) [1663130-1](#) [1663767-7](#) [1663767-8](#) [MTC100-BF1-P31CS015](#) [MTC100-KT2-0083](#) [MTC100-KT2-0123-003](#) [MTC100-YA1-005](#) [MTCB1X-105-XXX](#) [MTCQKT1R2PGCA](#) [MTCR-103-04S](#) [MTCX1X-100-100CS025](#) [1738331-1](#) [1757667-1](#) [1883433-1](#) [1996636-1](#) [201784-4](#)