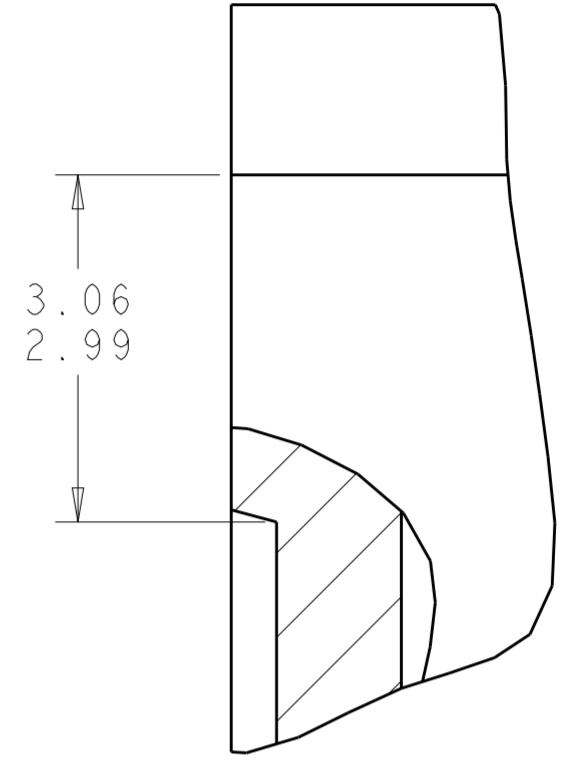
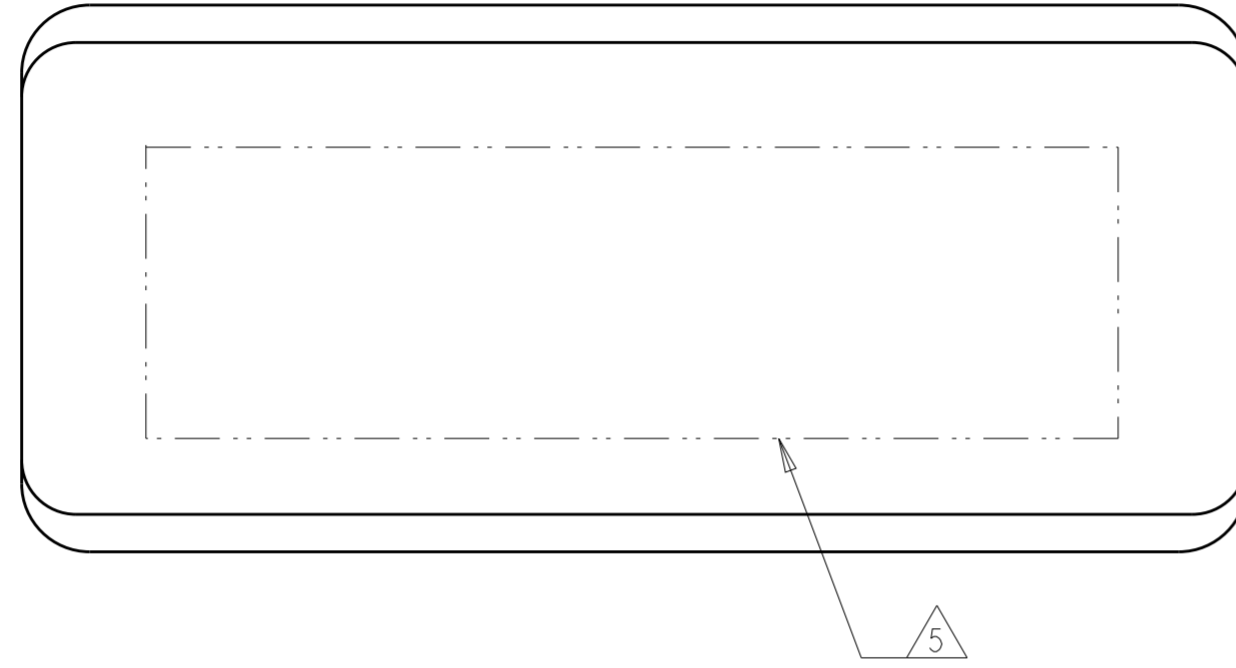


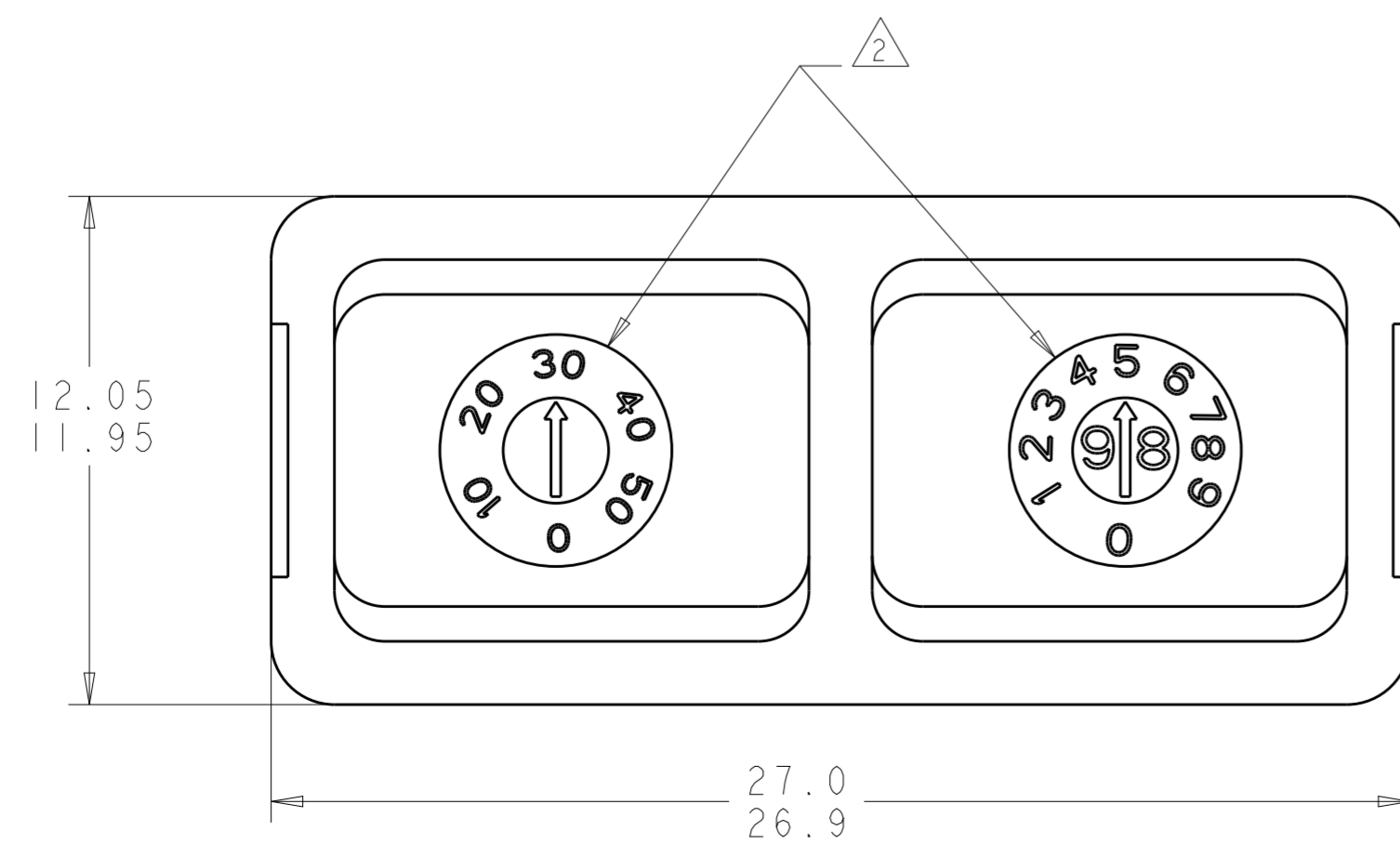
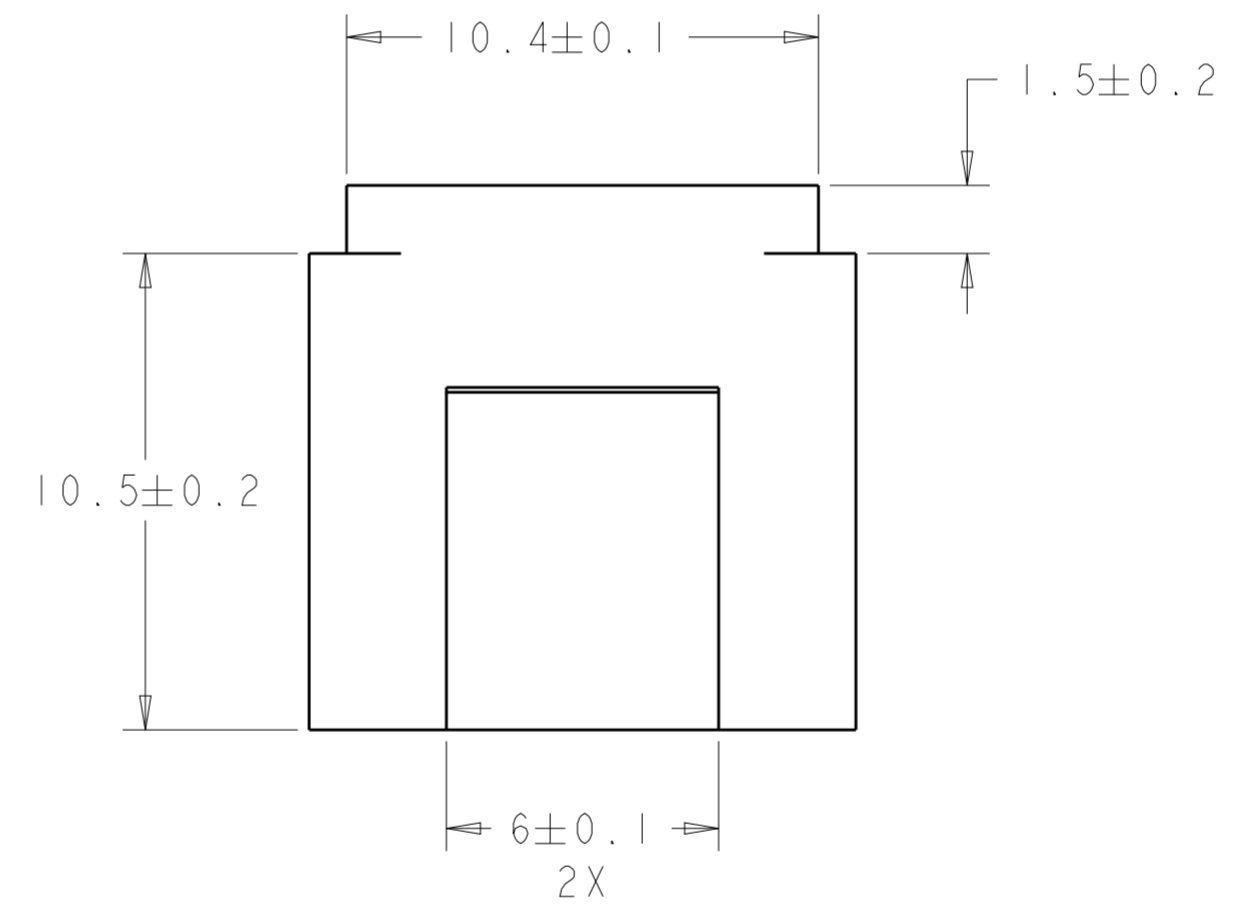
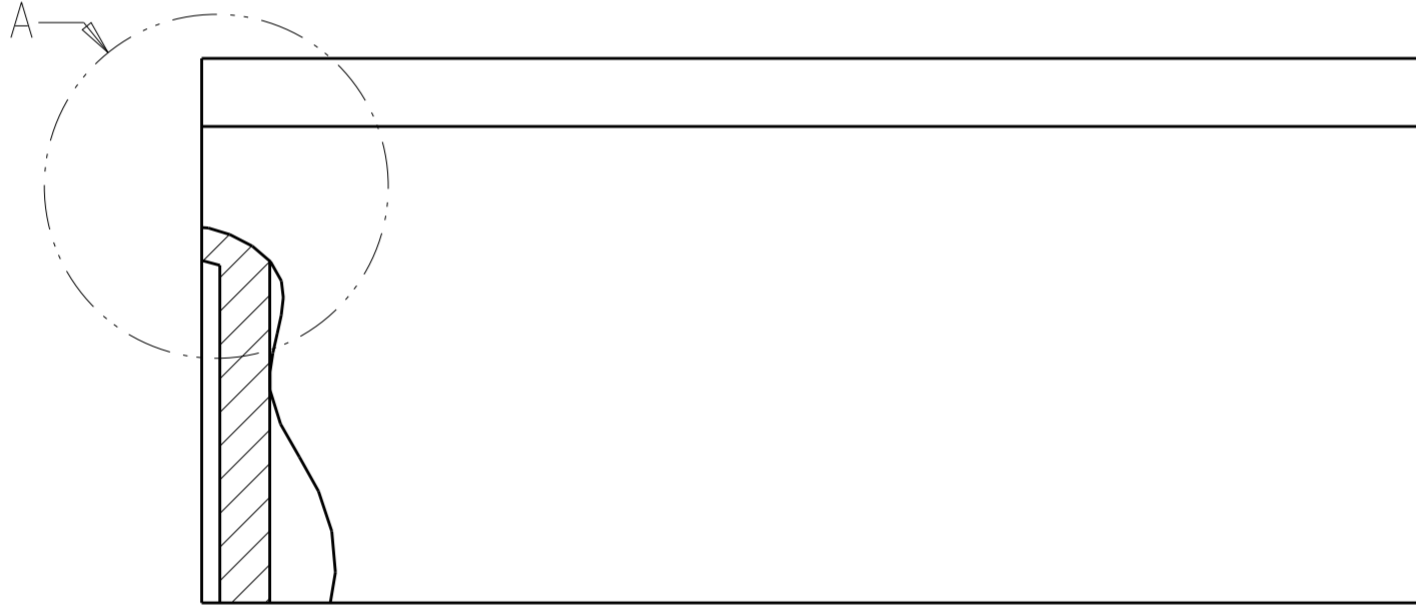
THIS DRAWING IS UNPUBLISHED. RELEASED FOR PUBLICATION 20
 © COPYRIGHT 20 BY - ALL RIGHTS RESERVED.

REVISIONS					
P	LTR	DESCRIPTION	DATE	DWN	APVD
	A	RELEASED PER ECO 14-000202	1-7-14	CT	KH



DETAIL A
 SCALE 15:1
 2 PLC

SEE DETAIL A



- ① MATERIAL: PEI THERMOPLASTIC PER ASTM D5205.
- ② DATE CODE: YEAR - WEEK. (98 - 35 SHOWN).
- 3. DESCRIPTIVE PART NUMBER: GPRBNOO.
- 4. THIS PRODUCT IS SOLD BY TE CONNECTIVITY UNDER A LICENSE FROM RADIAL SA.
- ⑤ TE LOGO AND TE PART NO. SHALL BE MARKED APPROXIMATELY IN THIS AREA.

1738085-1
 PART NUMBER

THIS DRAWING IS A CONTROLLED DOCUMENT.		DWN BH 12 JUL 2005	STE TE Connectivity	
DIMENSIONS: mm		CHK JPM 12 JUL 2005		
TOLERANCES UNLESS OTHERWISE SPECIFIED:		APVD JPM 12 JUL 2005	NAME BLANK INSERT, GPRB	
0 PLC ±	1 PLC ±0.1	PRODUCT SPEC -	SIZE CAGE CODE DRAWING NO RESTRICTED TO	
2 PLC ±0.1	3 PLC ±	APPLICATION SPEC -	A200779 C-1738085	
4 PLC ±	ANGLES ±	WEIGHT -	SCALE 6:1 SHEET OF REV A	
FINISH -	MATERIAL - ①	Customer Drawing		

X-ON Electronics

Largest Supplier of Electrical and Electronic Components

Click to view similar products for [Rack & Panel Connectors](#) category:

Click to view products by [TE Connectivity](#) manufacturer:

Other Similar products are found below :

[00171410002](#) [00171420202](#) [00171440002](#) [02-014-013-5200-000](#) [613467-000](#) [CTJ112E01E-513](#) [CTJ116E03A-513](#) [66020-2](#) [CW8958-000](#)
[699886-000](#) [D250-50632](#) [70.400.3240.0](#) [70.955.2453.3](#) [733753-000](#) [F22831-000](#) [780-522-DPX34RG8-02](#) [8660-501](#) [87.060.0053.0](#)
[900709N001](#) [928358-1](#) [D-659-0061](#) [1-445717-6](#) [1484469-2](#) [1604997-2](#) [MTC100-BF1-P31CS015](#) [MTC100-KT2-0083](#) [MTC100-KT2-0123-](#)
[003](#) [MTC100-YA1-005](#) [MTCQKT1R2PGCA](#) [MTCR-103-04S](#) [MTCX1X-100-100CS025](#) [1738331-1](#) [1757667-1](#) [1811481-1](#) [1883433-1](#)
[201046-7](#) [202648-4](#) [205269-1](#) [213364-1](#) [226503-000](#) [937028-164](#) [1663130-2](#) [172305-4](#) [AC-660022-701BP](#) [F36711-000](#) [202355-2](#) [202356-](#)
[2](#) [G16S-A](#) [G20S-AB](#) [CHA-0017-003](#)