

4

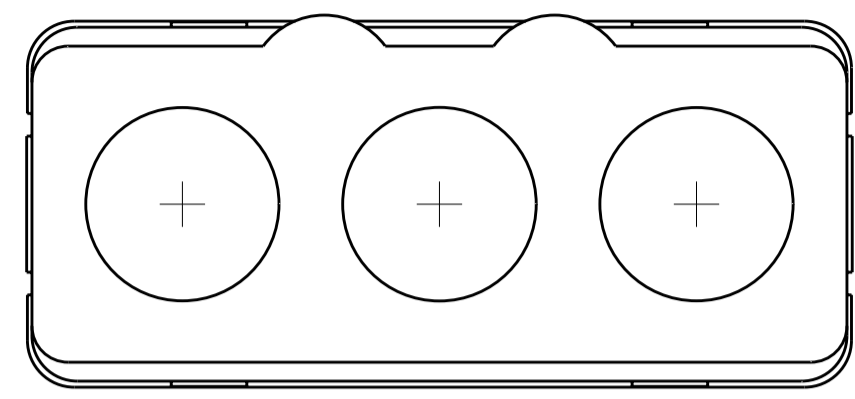
3

2

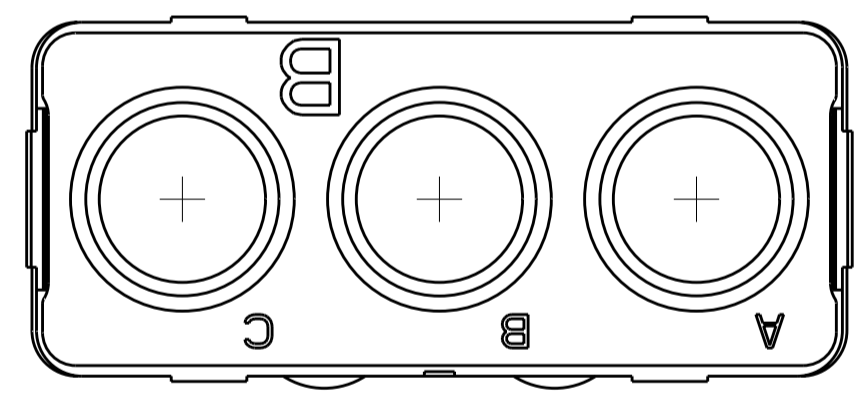
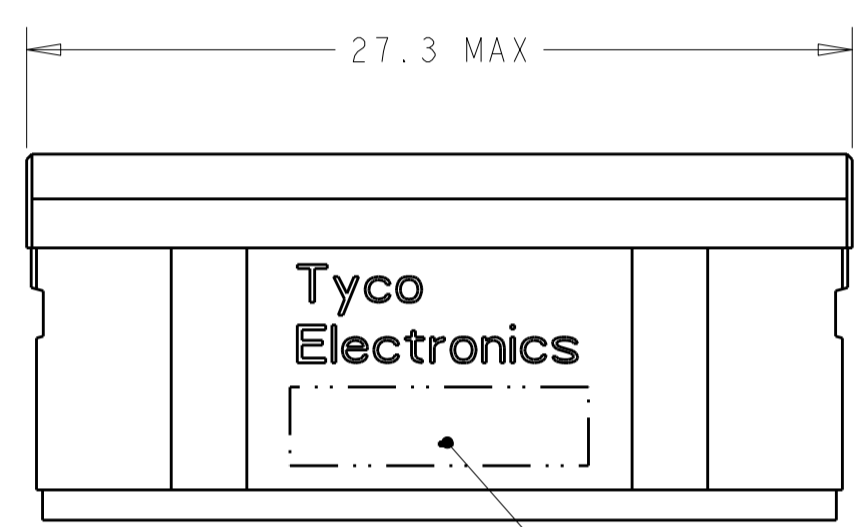
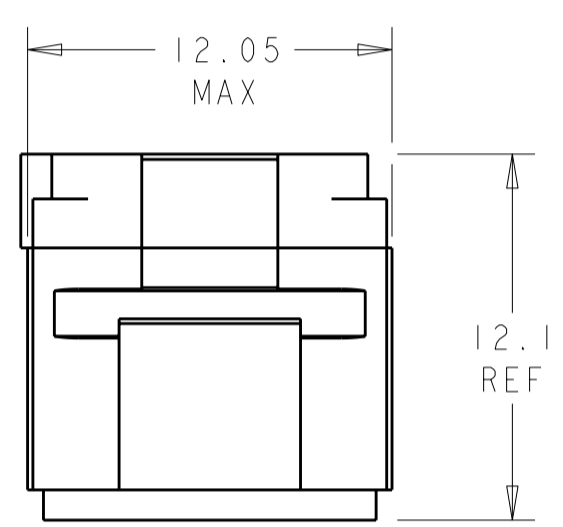
1

THIS DRAWING IS UNPUBLISHED. RELEASED FOR PUBLICATION
 © COPYRIGHT BY ALL RIGHTS RESERVED.

LOC		DIST		REVISIONS			
P	LTR	DESCRIPTION	DATE	DWN	APVD		
	B	REV PER ECO 11-024114	12-2-11	CT	MS		



MATING FACE



- 1 FRONT & REAR INSULATOR: HIGH-TEMP THERMOPLASTIC OR THERMOSET EPOXY PER ASTM D5948.
CONTACT RETENTION CLIPS: STAINLESS STEEL PER AISI 302 OR COPPER ALLOY PER ASTM B194
- 2 TE PART NO. AND DATE CODE: YEAR & WEEK (YY WW)
- 3. DESCRIPTIVE PART NUMBER GPRBNC3PB
THIS INSERT CONTAINS: 3 CAVITIES FOR SIZE 5 PIN COAX CONTACTS
- 4. THIS PRODUCT IS SOLD BY TYCO ELECTRONICS UNDER A LICENSE FROM RADIAL SA.

1738093-1
PART NUMBER

THIS DRAWING IS A CONTROLLED DOCUMENT.		DWN	BH	06MAY10	 TE Connectivity	NAME		INSERT ASSEMBLY, PIN, NON-ENVIRONMENTAL ARRANGEMENT C3, KEY B, GPRB																								
DIMENSIONS:		CHK	JPM	06MAY10		APVD		JPM	06MAY10	SIZE	A200779	CAGE CODE	C-1738093	DRAWING NO	RESTRICTED TO																	
mm		TOLERANCES UNLESS OTHERWISE SPECIFIED:		PRODUCT SPEC		APPLICATION SPEC		WEIGHT		SCALE		SHEET		OF																		
<table border="1"> <tr><td>0 PLC</td><td>±</td><td></td></tr> <tr><td>1 PLC</td><td>±0.1</td><td></td></tr> <tr><td>2 PLC</td><td>±0.05</td><td></td></tr> <tr><td>3 PLC</td><td>±</td><td></td></tr> <tr><td>4 PLC</td><td>±</td><td></td></tr> <tr><td>ANGLES</td><td>±</td><td></td></tr> <tr><td>FINISH</td><td>±1</td><td></td></tr> </table>		0 PLC	±			1 PLC	±0.1		2 PLC	±0.05		3 PLC	±		4 PLC	±		ANGLES	±		FINISH	±1		MATERIAL		CUSTOMER DRAWING		SCALE 4:1		SHEET 1 OF 1		REV B
0 PLC	±																															
1 PLC	±0.1																															
2 PLC	±0.05																															
3 PLC	±																															
4 PLC	±																															
ANGLES	±																															
FINISH	±1																															

X-ON Electronics

Largest Supplier of Electrical and Electronic Components

Click to view similar products for [Rack & Panel Connectors](#) category:

Click to view products by [TE Connectivity](#) manufacturer:

Other Similar products are found below :

[00170420102](#) [00171420202](#) [00171440002](#) [008026165000265](#) [02-014-013-5200-000](#) [613467-000](#) [CTJ112E01E-513](#) [CTJ116E03A-513](#)
[M81714/63-22S L/C](#) [M81714/65-12-1](#) [66020-2](#) [CW8958-000](#) [699886-000](#) [D250-50632](#) [70.400.3240.0](#) [70.955.2453.3](#) [733753-000](#) [F22831-000](#) [780-522-DPX34RG8-02](#) [MMA25-0341D1](#) [8660-501](#) [87.060.0053.0](#) [900709N001](#) [QRP4-12P-C\(01\)](#) [QR/P6-6S-C\(01\)](#) [1218600-1](#) [D-659-0061](#) [DMC-MD 24 C-T](#) [1-445717-6](#) [1484398-2](#) [1484399-2](#) [1484469-2](#) [MR-34MG](#) [1604997-2](#) [1663130-1](#) [1663767-7](#) [1663767-8](#) [MTC100-BF1-P31CS015](#) [MTC100-KT2-0083](#) [MTC100-KT2-0123-003](#) [MTC100-YA1-005](#) [MTCB1X-105-XXX](#) [MTCQKT1R2PGCA](#) [MTCR-103-04S](#) [MTCX1X-100-100CS025](#) [1738331-1](#) [1757667-1](#) [1883433-1](#) [1996636-1](#) [201784-4](#)