

REV	DATE	DESCRIPTION	BY	APP'D
1	25FEB10	REVISED	RF	JM
2	08APR10	REVISED	RF	JM

1 SHELL & KEY RETENTION PLATE: ALUMINUM ALLOY
 QUARTER-TURN FASTENER: COPPER ALLOY PER ASTM B196
 INSERT RETENTION CLIP, CURVED WASHER & FASTENER RETENTION CLIP: COPPER ALLOY PER ASTM B194
 CAPTIVE SCREW: STAINLESS STEEL PER AISI 303
 SCREW RETENTION CLIPS: STAINLESS STEEL PER AISI 304
 PROTECTIVE COVER: THERMOPLASTIC ELASTOMER
 POLARIZATION KEY: PEI THERMOPLASTIC PER ASTM D5205

2 SHELL: ELECTROLESS NICKEL PER SAE AMS-C-26074, CLASS 1
 KEY RETENTION PLATE: ANODIZED, CLEAR

3 PART TO BE MARKED WITH TYCO ELECTRONICS PRODUCT IDENTIFIER, PART NUMBER AND DATE CODE (YYWW) IN APPROX. AREA SHOWN.

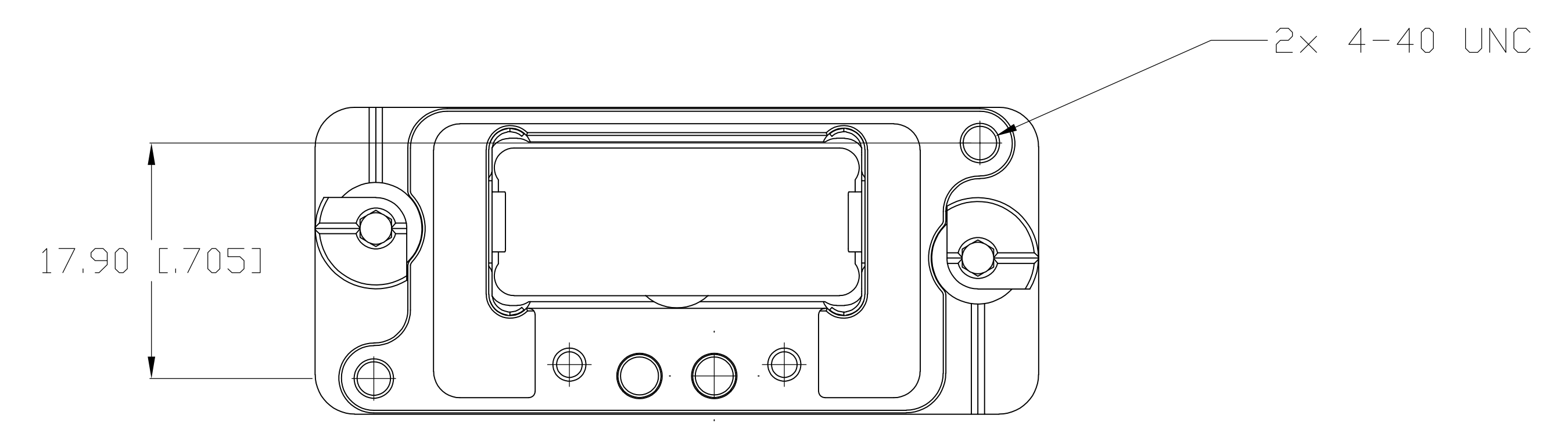
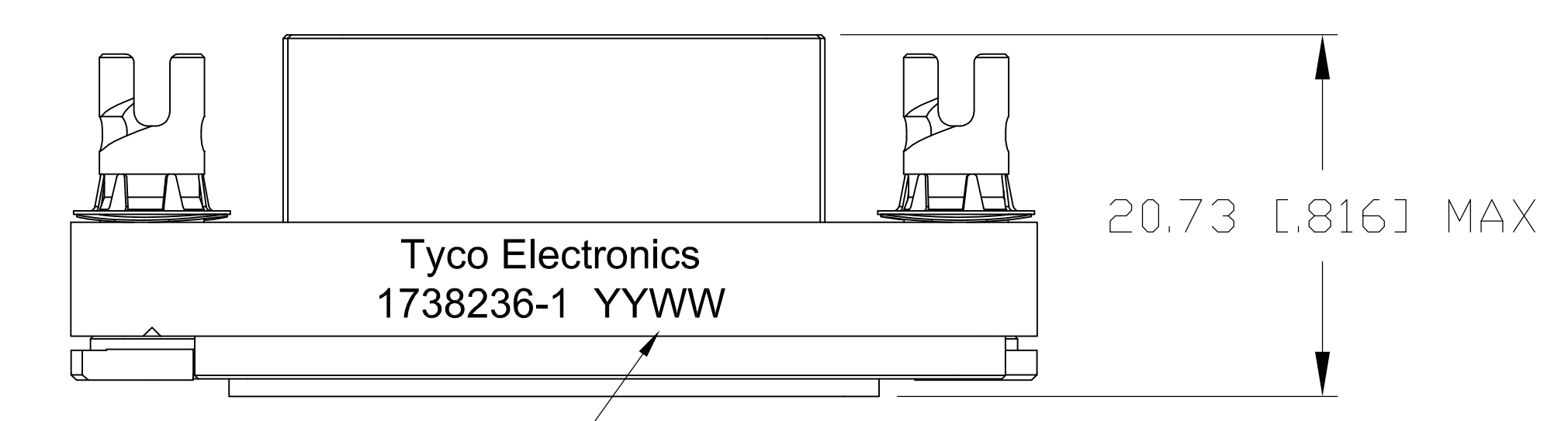
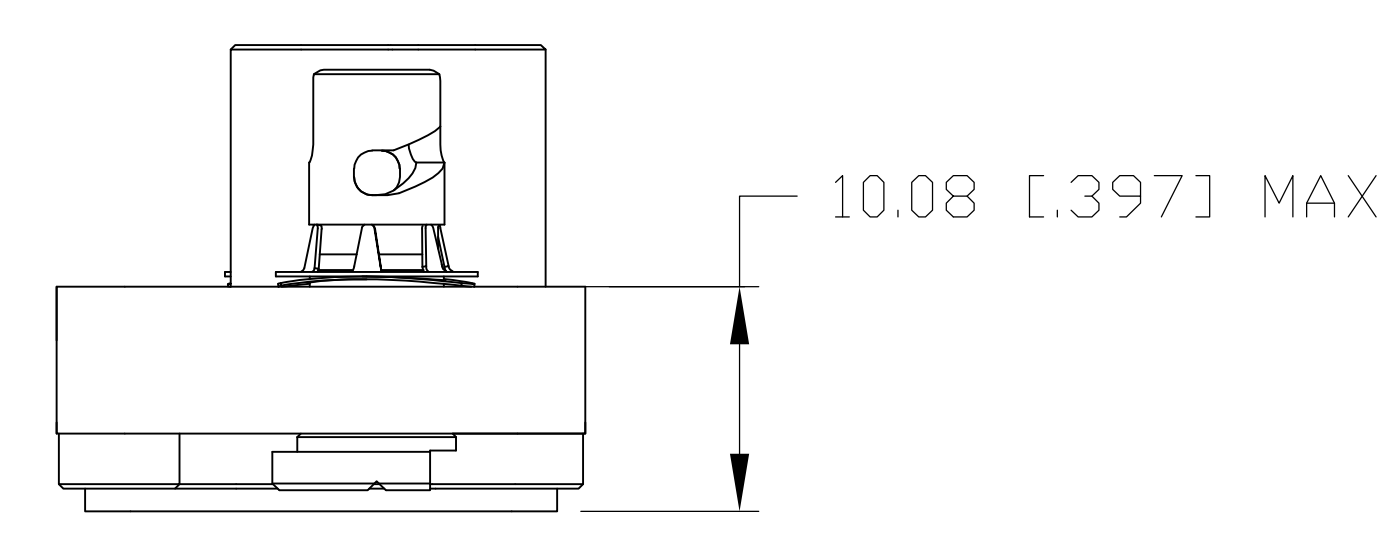
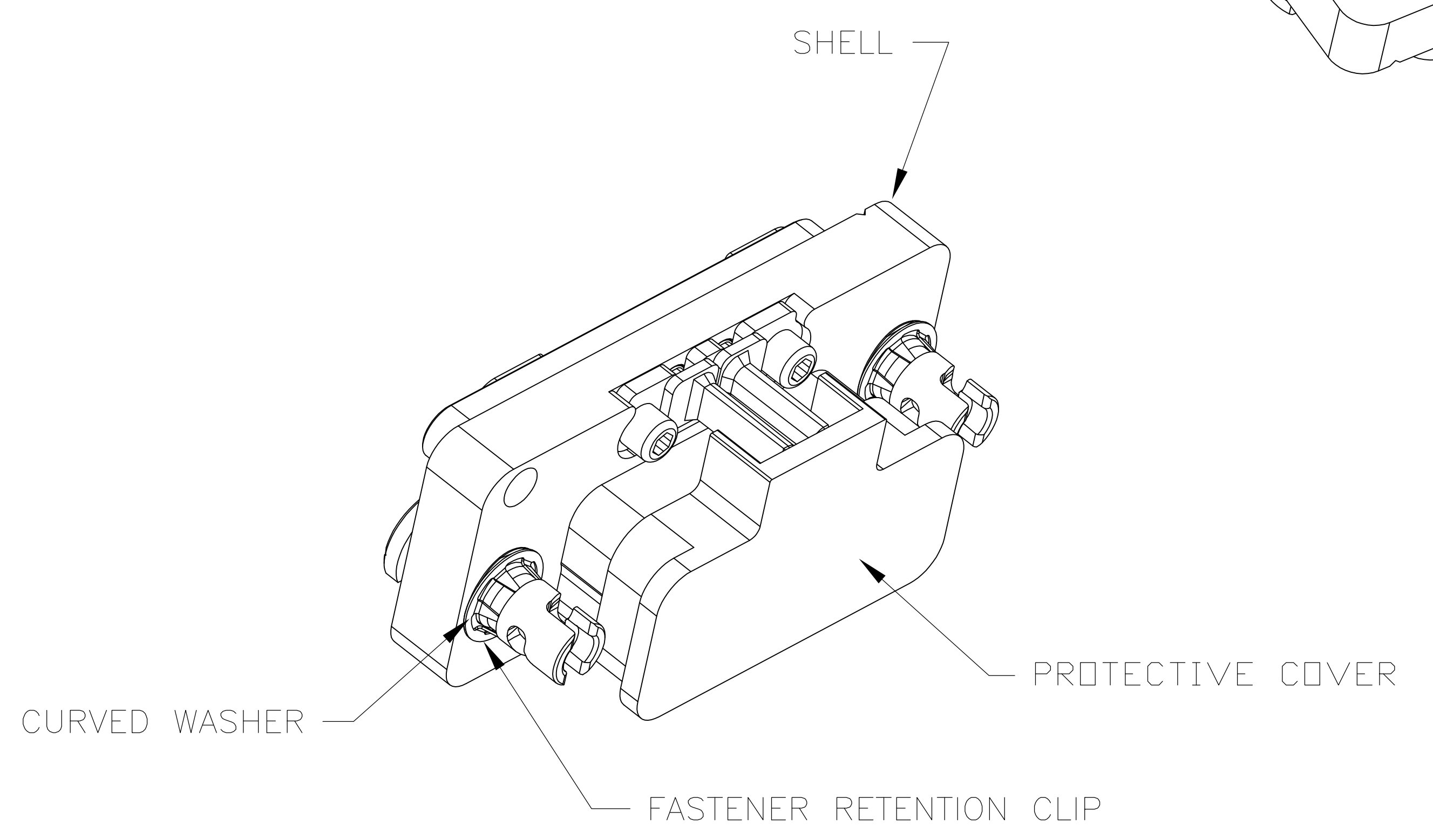
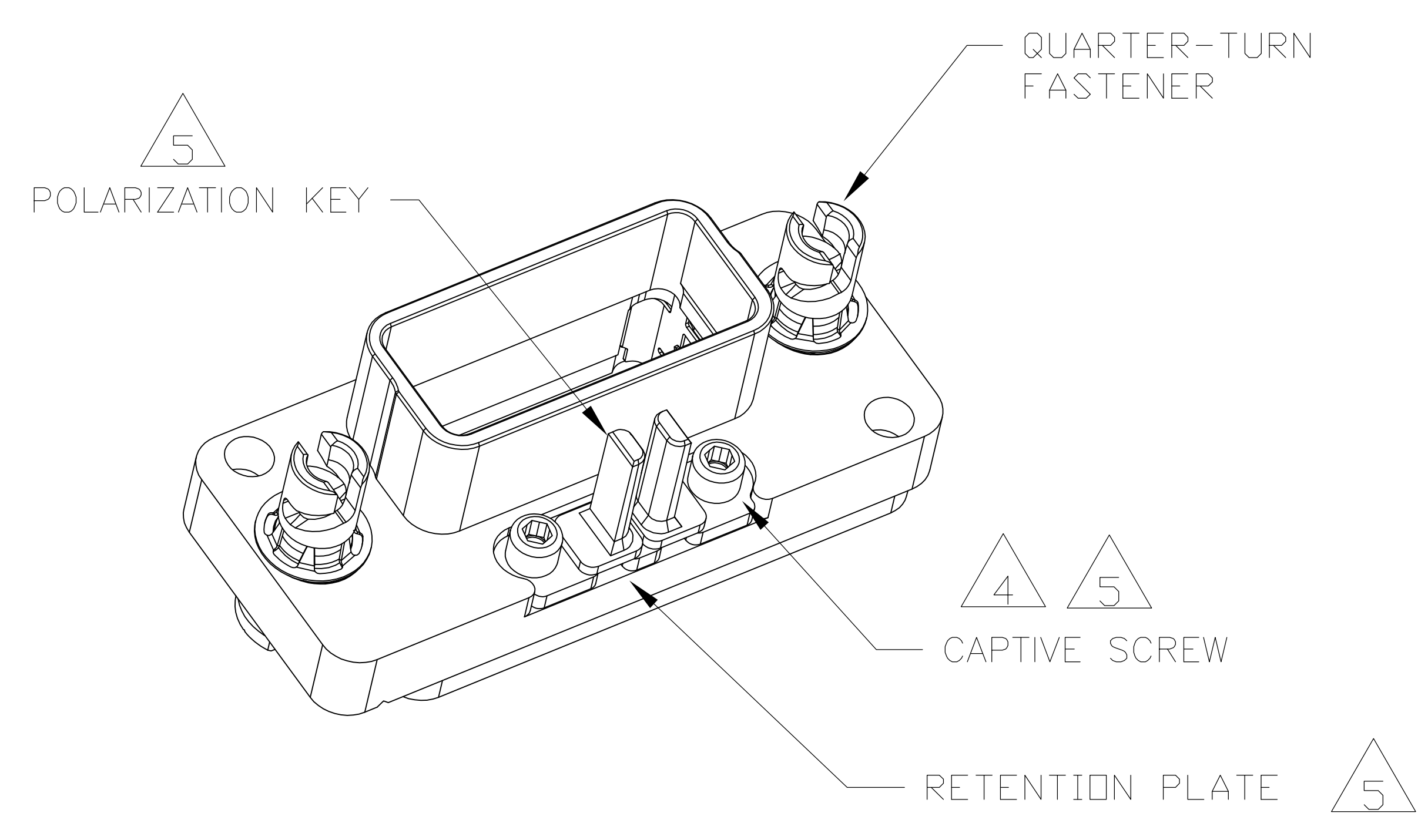
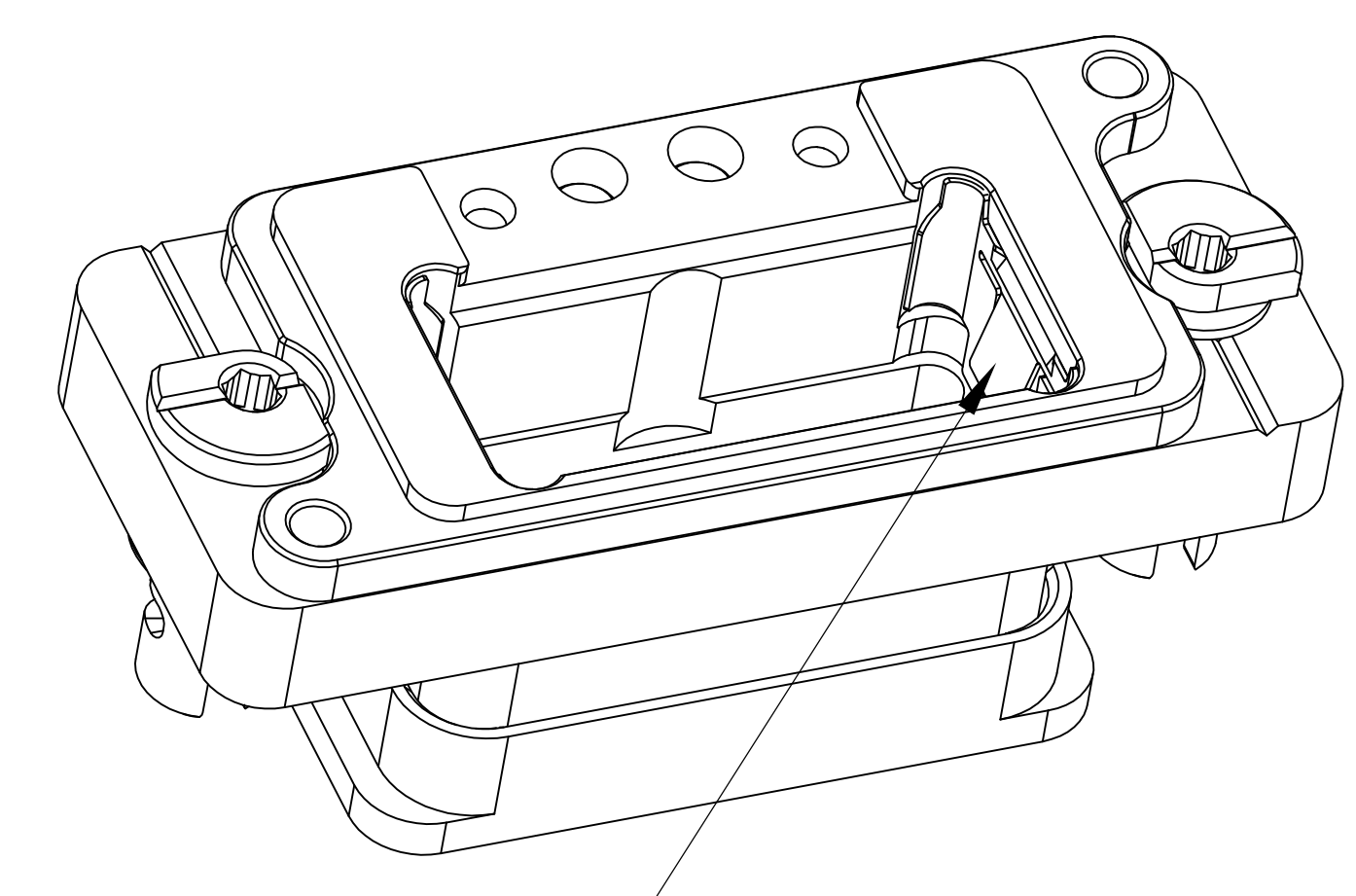
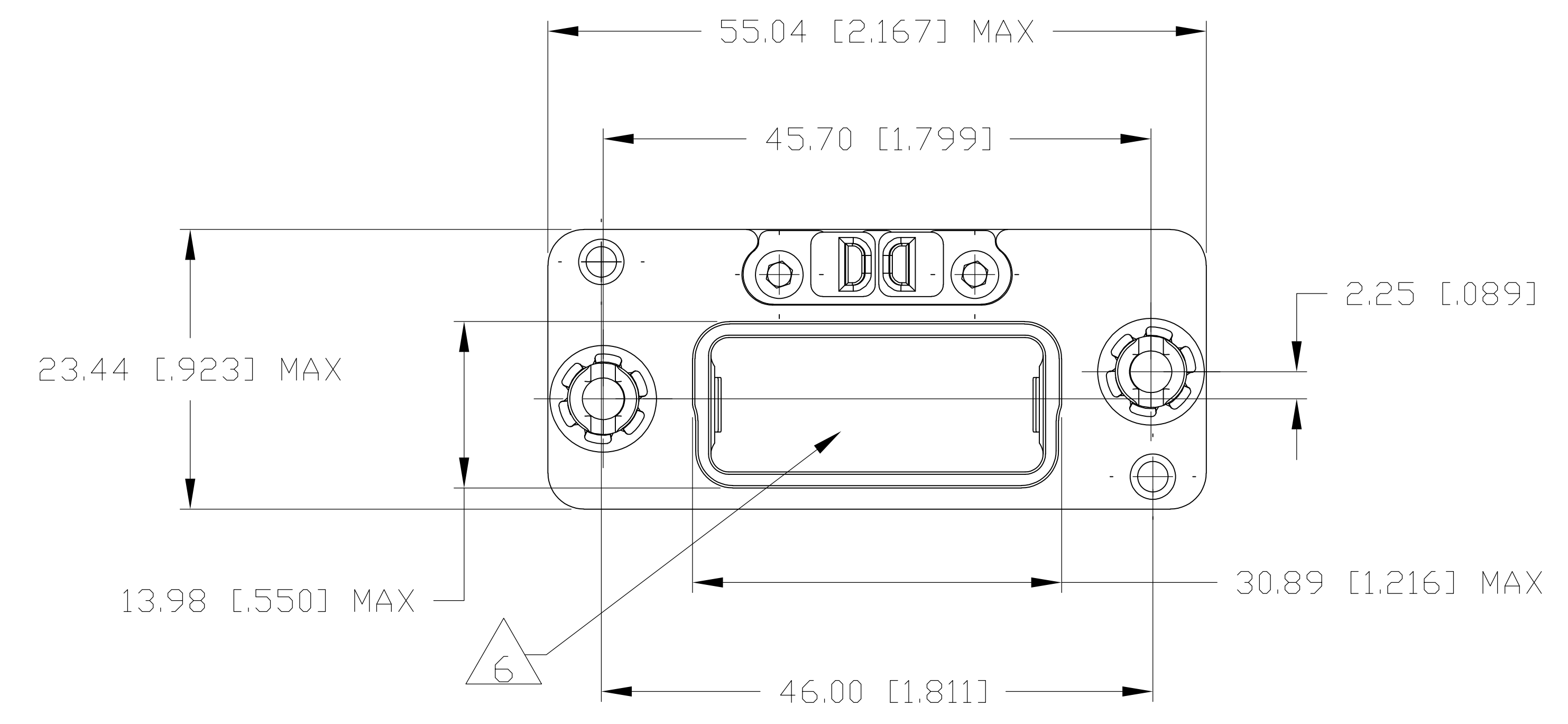
4 4-40 CAPTIVE SCREWS ON KEY RETENTION PLATE
 RECOMMENDED LOCKING TORQUE: 0.8 N.m [7in-lb]

5 THE POLARIZATION KEYS & RETENTION PLATE ARE SHIPPED UNASSEMBLED.

6 SHELL CAVITY FOR GPRB SERIES INSERTS WITH KEYING CODE A.

7. DESCRIPTIVE PART NUMBER: GPRB1PB04N
 SERIES: GPRB
 SHELL SIZE: 1 (SINGLE-CAVITY SHELL)
 SHELL STYLE: P (PLUG)
 MODIFICATION CODE: B (NO MOUNTING HOLES)
 LOCKING DEVICE: 0 (QUARTER-TURN FASTENER)
 POLARIZATION CODE: 4 (KIT, WITH POLARIZING HARDWARE UNASSEMBLED)
 SHELL PLATING: N (NICKEL PLATING)

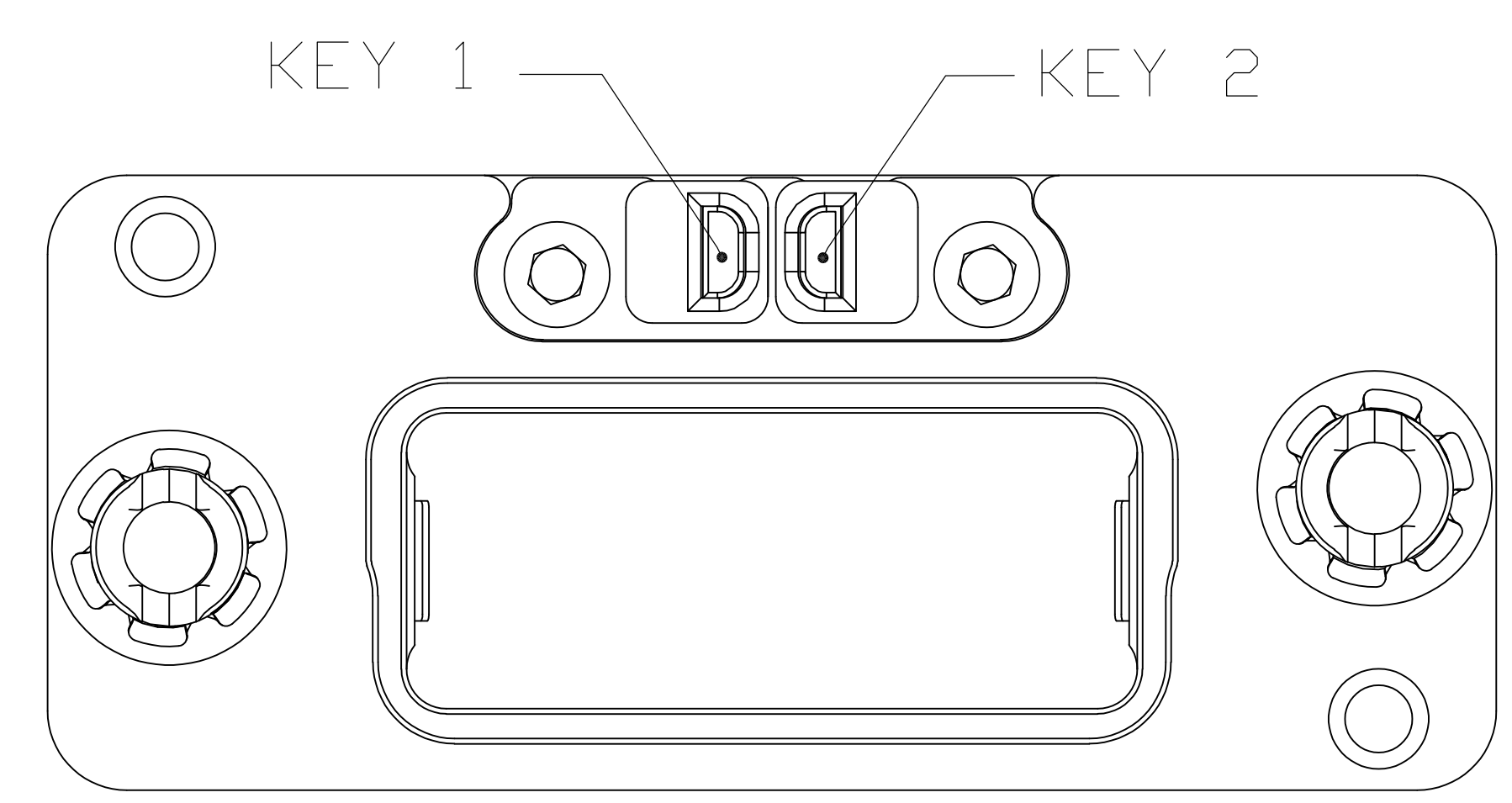
8. THIS PRODUCT IS SOLD BY TYCO ELECTRONICS UNDER A LICENSE FROM RADIAL SA.



THIS PRINT IS
PRELIMINARY
 UNQUALIFIED PRODUCT
 CONTACT PRODUCT ENGINEERING
 BEFORE USING THIS PRINT

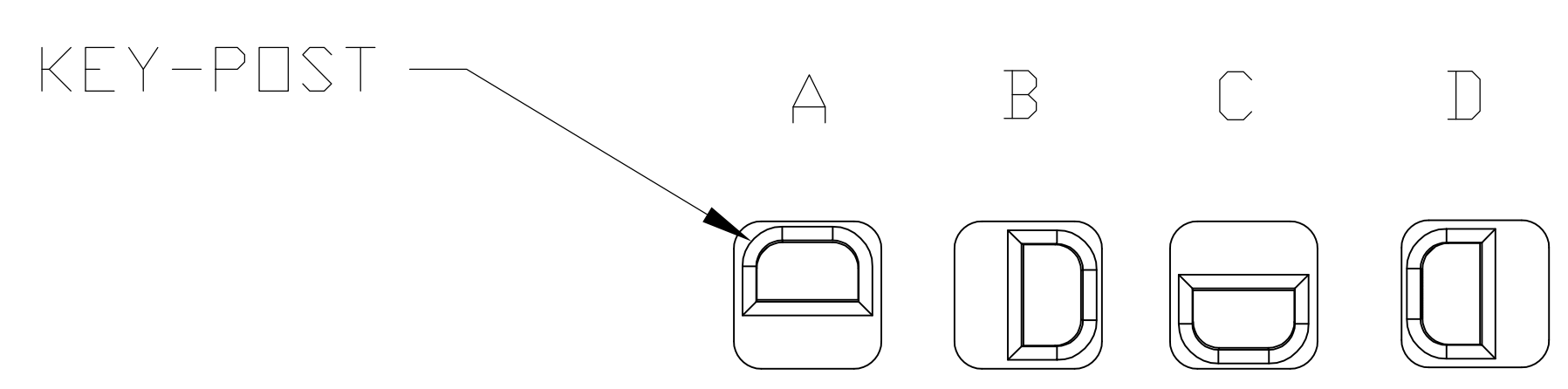
1738236-1
 PART NUMBER

THIS DRAWING IS A CONTROLLED DOCUMENT.		DATE	BY	APPROVED	Tyco Electronics Corporation Harrisburg, Pa 17105-3608	
DIMENSIONS: mm (INCHES)		DESIGNED	DATE	DATE	PRODUCT SPEC	
TOLERANCES UNLESS OTHERWISE SPECIFIED:		APPROVED	DATE	DATE	APPLICATION SPEC	
Ø	F. P.L.C.				WEIGHT	
	F. P.L.C.				MATERIAL	
	F. P.L.C.				FINISH	
	F. P.L.C.				CUSTOMER DRAWING	
SCALE: 2:1		SHEET: 1 OF 2		REV: 2		RESTRICTED TO:



CODE NUMBER 08 SHOWN: B-D
 POLARIZATION KEY 1 POLARIZATION KEY 2

PLUG CONNECTOR POLARIZATION



CODE NUMBER	KEY 1	KEY 2
01	A	A
02	A	B
03	A	C
04	A	D
05	B	A
06	B	B
07	B	C
08	B	D
09	C	A
10	C	B
11	C	C
12	C	D
13	D	A
14	D	B
15	D	C
16	D	D

KEY-POST ORIENTATION

THIS PRINT IS
PRELIMINARY
 UNQUALIFIED PRODUCT
 CONTACT PRODUCT ENGINEERING
 BEFORE USING THIS PRINT

1738236-1
 PART NUMBER

THIS DRAWING IS A CONTROLLED DOCUMENT.		REV. FLAG	DATE	BY	CHKD.	DATE	BY	Tyco Electronics Corporation Harrisburg, Pa 17105-3608	
DIMENSIONS: (UNLESS OTHERWISE SPECIFIED):		MATERIAL		MATERIAL		MATERIAL		Tyco Electronics Corporation	
D. P.L.C. ± .005		L. MOSIER		L. MOSIER		L. MOSIER		PLUG SHELL KIT WITH POLARIZING HARDWARE GPRB1	
F. P.L.C. ± .010 (MAX)		PRODUCT SPEC		PRODUCT SPEC		PRODUCT SPEC		SIZE: 1.000 x 1.000 x 0.125	
G. P.L.C. ± .010 (MAX)		APPLICATION SPEC		APPLICATION SPEC		APPLICATION SPEC		DRAWING NO: A000779	
H. P.L.C. ± .010 (MAX)		WEIGHT		WEIGHT		WEIGHT		SCALE: 2:1	
MATERIAL:		FINISH:		CUSTOMER DRAWING		CUSTOMER DRAWING		SHEET 2 OF 2	

X-ON Electronics

Largest Supplier of Electrical and Electronic Components

Click to view similar products for [Rack & Panel Connectors](#) category:

Click to view products by [TE Connectivity](#) manufacturer:

Other Similar products are found below :

[00171410002](#) [00171420202](#) [00171440002](#) [02-014-013-5200-000](#) [613467-000](#) [CTJ112E01E-513](#) [CTJ116E03A-513](#) [66020-2](#) [CW8958-000](#)
[699886-000](#) [D250-50632](#) [70.400.3240.0](#) [70.955.2453.3](#) [733753-000](#) [F22831-000](#) [780-522-DPX34RG8-02](#) [8660-501](#) [87.060.0053.0](#)
[900709N001](#) [928358-1](#) [D-659-0061](#) [1-445717-6](#) [1484469-2](#) [1604997-2](#) [MTC100-BF1-P31CS015](#) [MTC100-KT2-0083](#) [MTC100-KT2-0123-](#)
[003](#) [MTC100-YA1-005](#) [MTCQPQT1R2PGCA](#) [MTCR-103-04S](#) [MTCX1X-100-100CS025](#) [1738331-1](#) [1757667-1](#) [1811481-1](#) [1883433-1](#)
[201046-7](#) [202648-4](#) [213364-1](#) [226503-000](#) [937028-164](#) [1663130-2](#) [172305-4](#) [F36711-000](#) [202355-2](#) [202356-2](#) [G16S-A](#) [G20S-AB](#) [CHA-](#)
[0017-003](#) [CHA-0296](#) [354654-000](#)