

REV	DATE	DESCRIPTION	BY	CHKD
0	03/04	CONVERTED RADIAL DWG TO TYCO ACAD DWG	RF	JM
1	25FEB10	REVISED	RF	JM
2	08APR10	REVISED	RF	JM

- 1 SHELL & KEY RETENTION PLATE: ALUMINUM ALLOY
- LOCKING POST: STAINLESS STEEL PER ASTM B883
- SPRING: STAINLESS STEEL PER AISI 301
- SPRING SUPPORT, LOCKING POST SUPPORT & CAPTIVE SCREW: STAINLESS STEEL PER AISI 303
- SCREW RETENTION CLIPS: STAINLESS STEEL PER AISI 304
- INSERT RETENTION CLIP: COPPER ALLOY PER ASTM B194
- PROTECTIVE COVER: THERMOPLASTIC ELASTOMER
- POLARIZATION KEY: PEI THERMOPLASTIC PER ASTM D5205

- 2 SHELL: ELECTROLESS NICKEL PER SAE AMS-C-26074, CLASS 1.
- KEY RETENTION PLATE: ANODIZED, CLEAR

3 DATE CODE - YEAR & WEEK (YY WW)

- 4 4-40 CAPTIVE SCREWS ON KEY RETENTION PLATE
- RECOMMENDED LOCKING TORQUE: 0.8 N.m [7in-lb]

- 5 6-32 SCREWS ARE REQUIRED FOR PANEL MOUNTING (NOT INCLUDED) - RECOMMENDED LOCKING TORQUE: 1.6 N.m [14 in-lb]

- 6 THREADED HOLES ARE SELF-LOCKING, HAVING THE SPIRALOCK® THREAD FORM.
- SPIRALOCK® IS A REGISTERED TRADEMARK OF SPIRALOCK CORPORATION.

7 THE POLARIZATION KEYS & RETENTION PLATE ARE SHIPPED UNASSEMBLED.

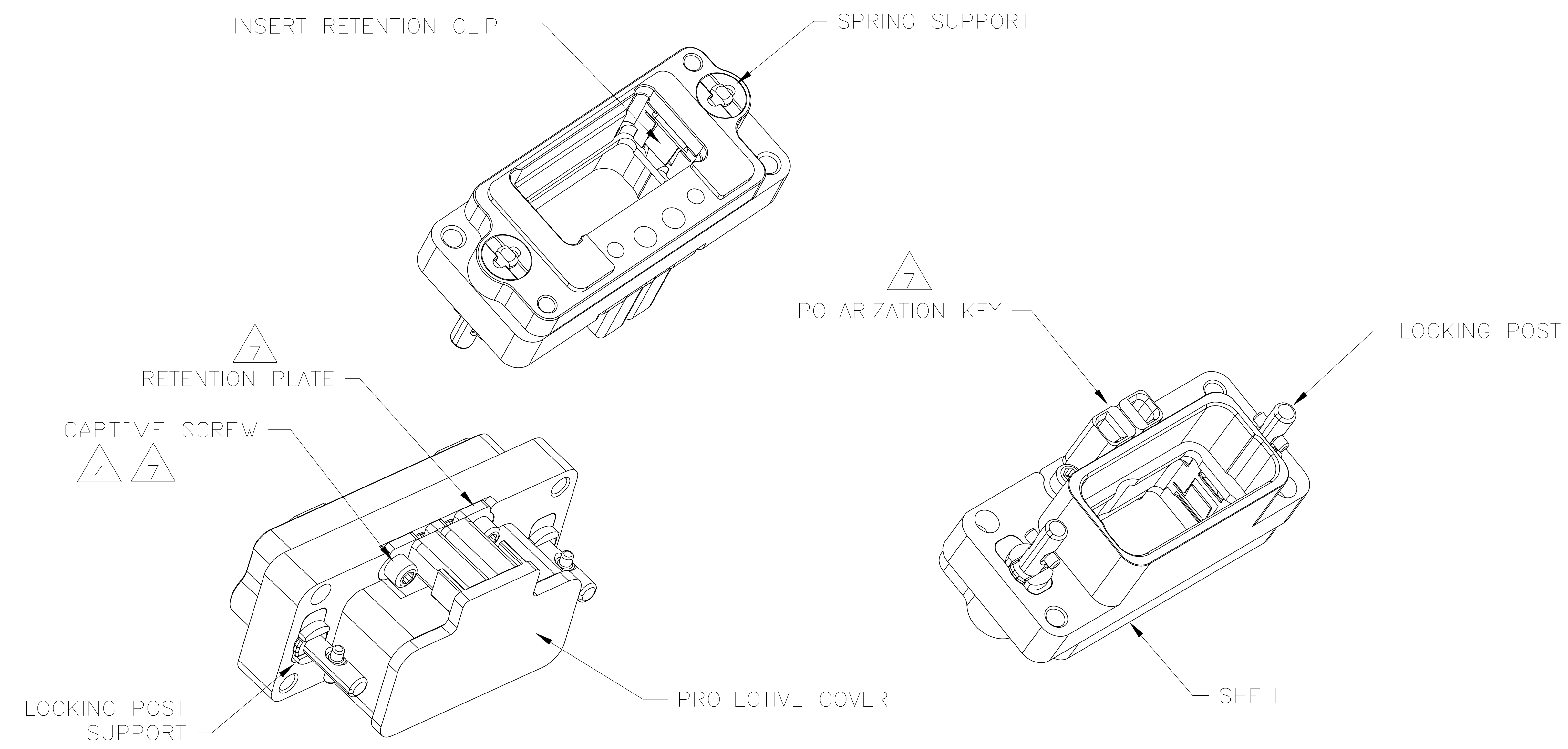
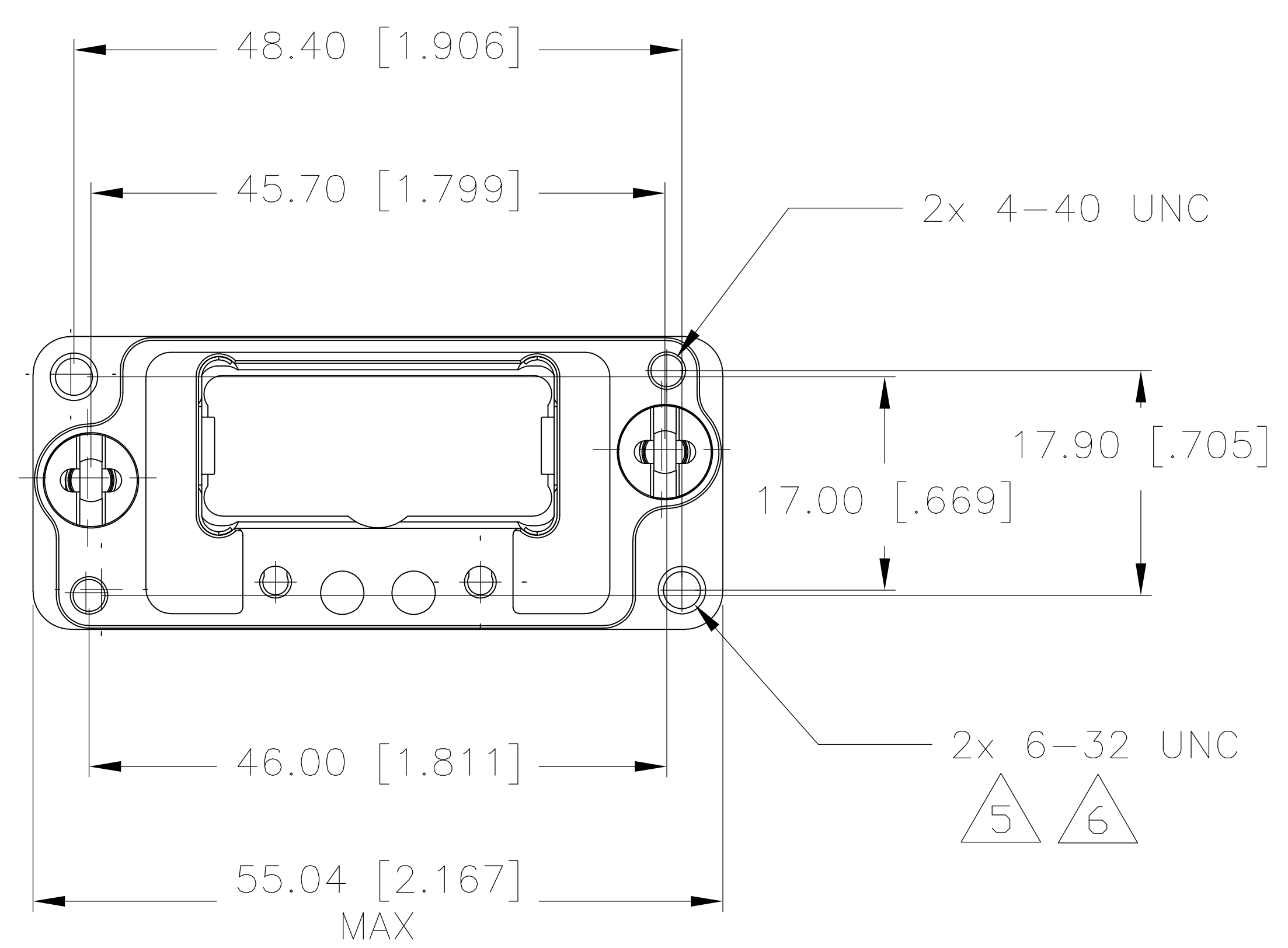
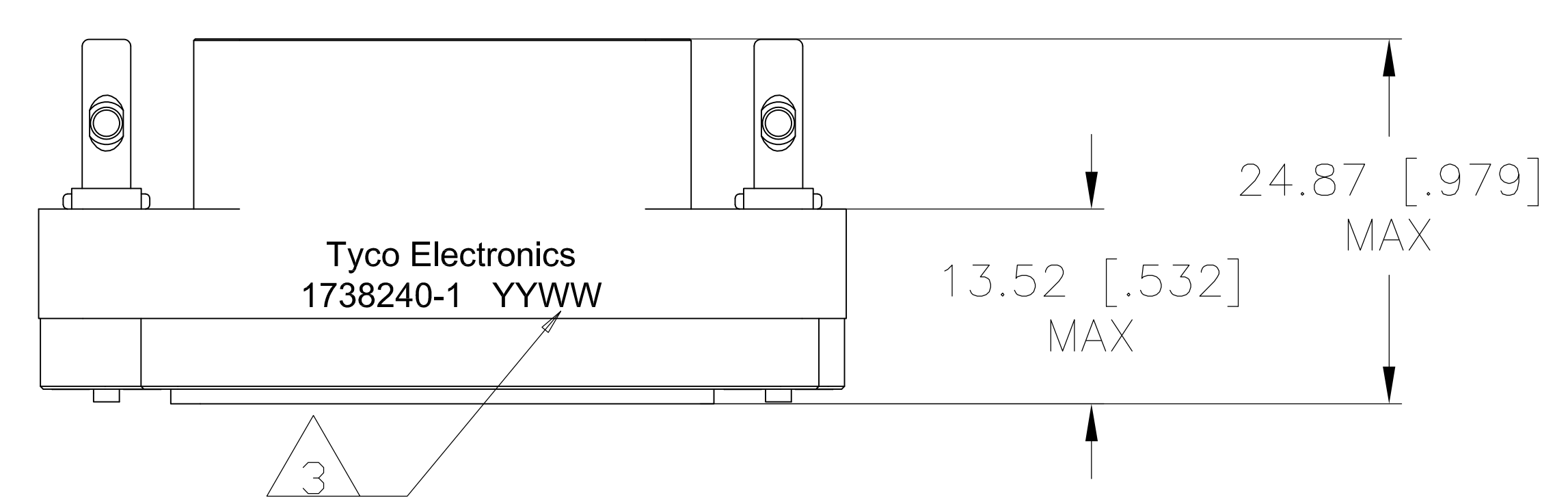
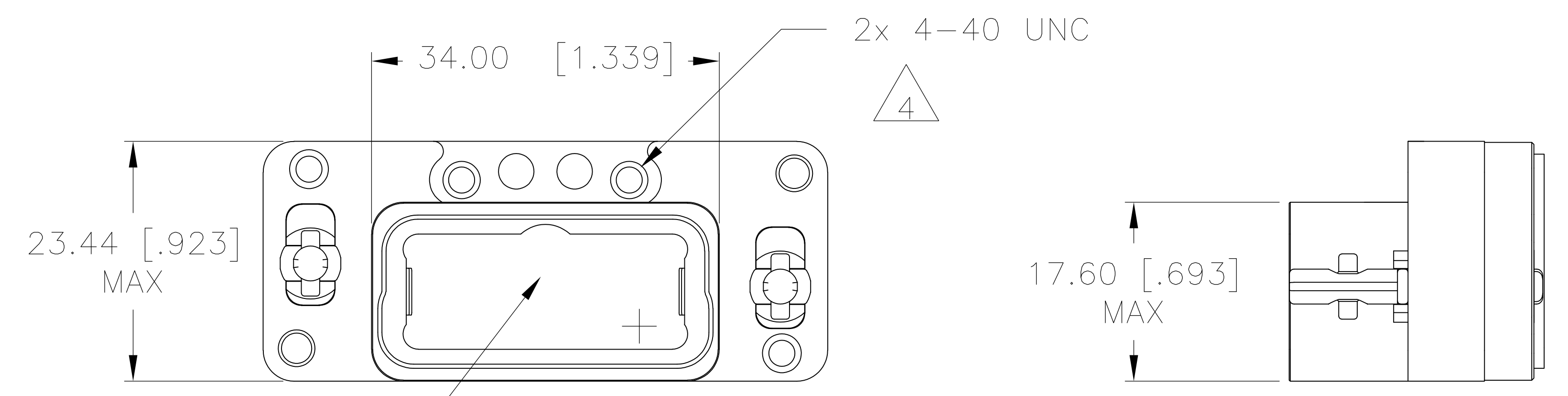
8 SHELL CAVITY FOR GPRB SERIES INSERTS WITH KEYING CODE A.

9 DATUMS ESTABLISHED BY CUSTOMER.

10 BASIC DIMENSIONS ESTABLISHED BY CUSTOMER.

- 11. DESCRIPTIVE PART NUMBER: GPRB1RM04N
- SERIES: GPRB
- SHELL SIZE: 1 (SINGLE-CAVITY SHELL)
- SHELL STYLE: R (RECEPTACLE)
- MODIFICATION CODE: M (TWO 6-32 UNC MOUNTING HOLES)
- LOCKING DEVICE: 0 (QUARTER-TURN FASTENER)
- POLARIZATION CODE: 4 (KIT, WITH POLARIZING HARDWARE UNASSEMBLED)
- SHELL PLATING: N (NICKEL PLATING)

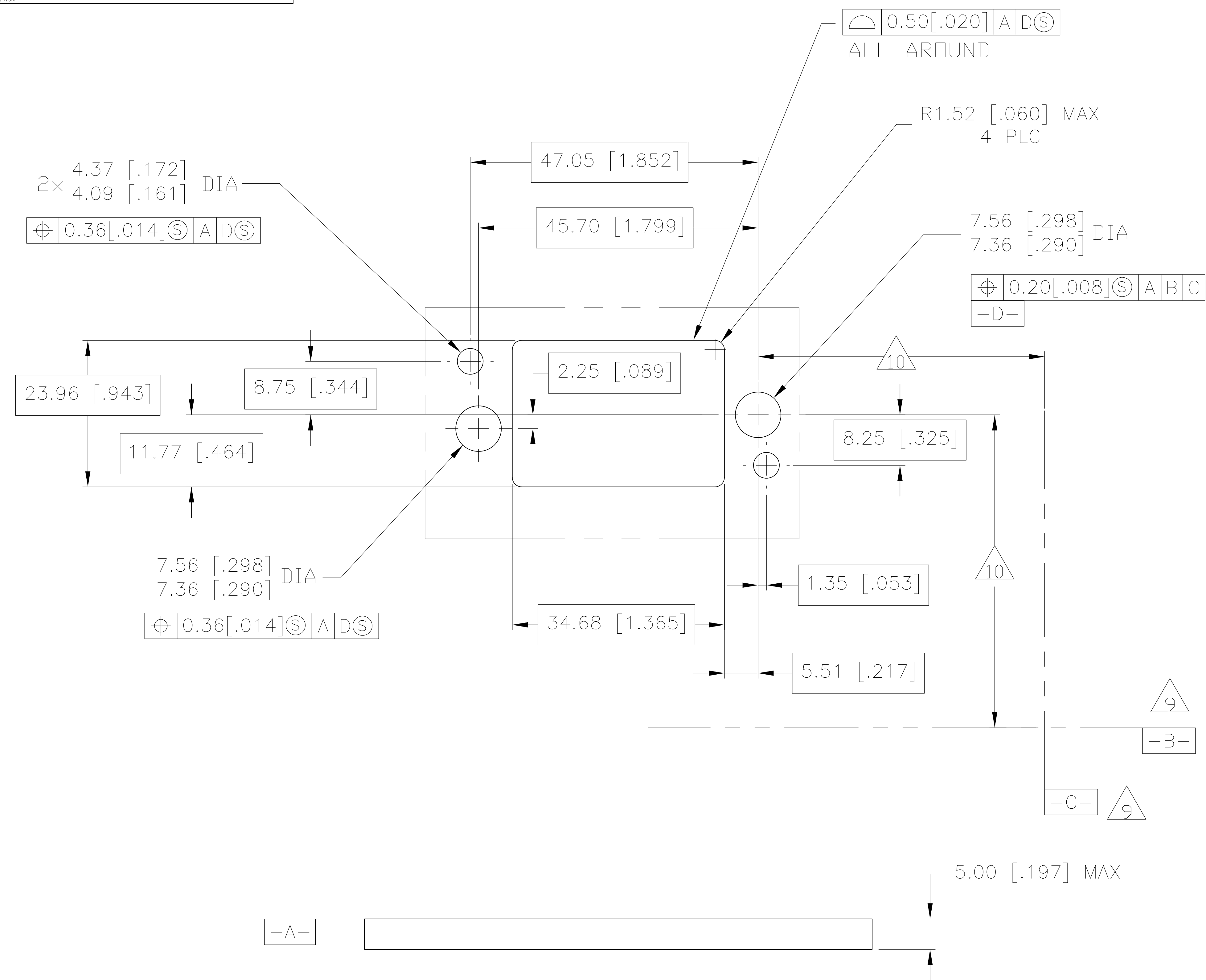
12. THIS PRODUCT IS SOLD BY TYCO ELECTRONICS UNDER A LICENSE FROM RADIAL SA.



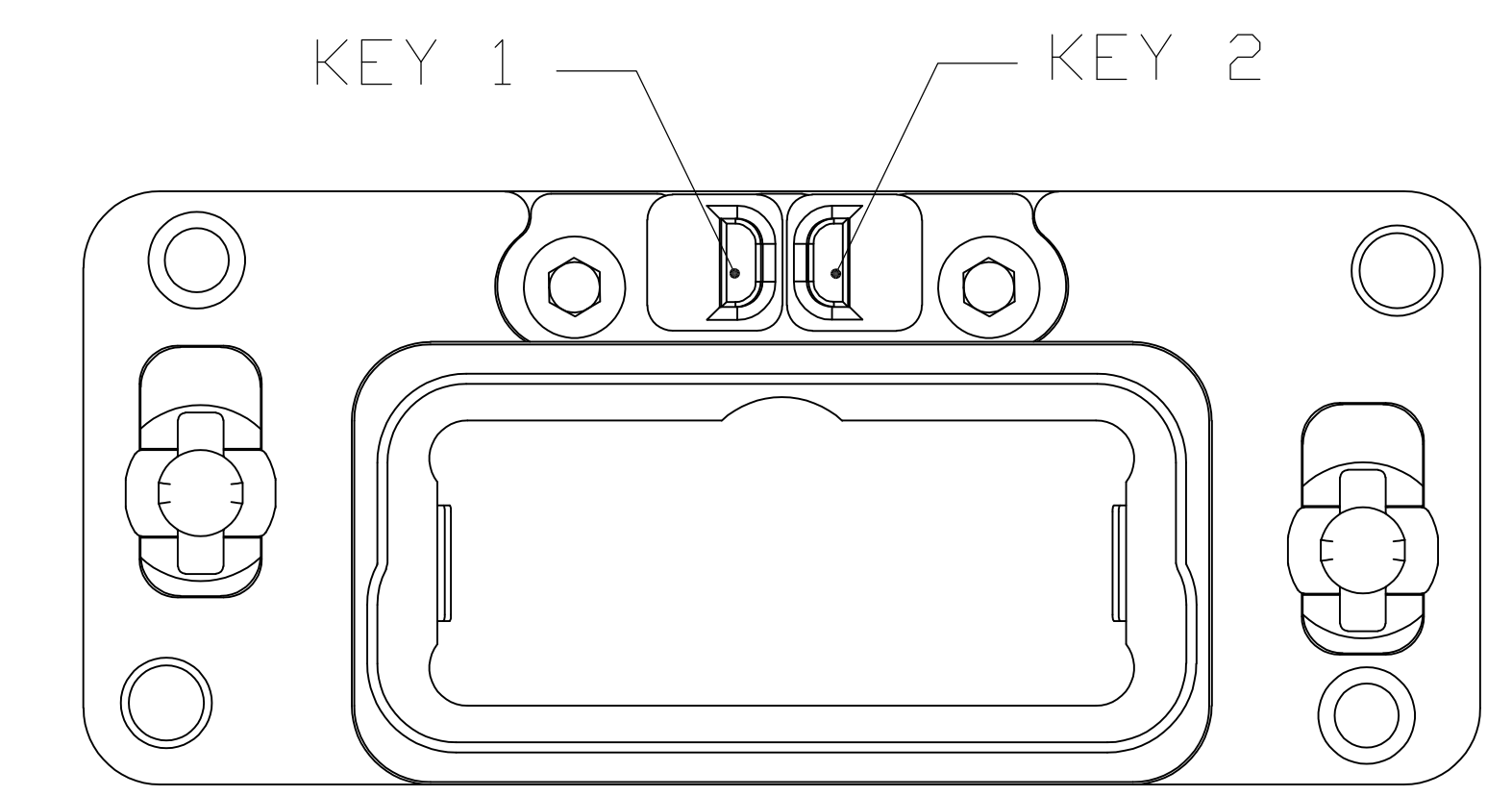
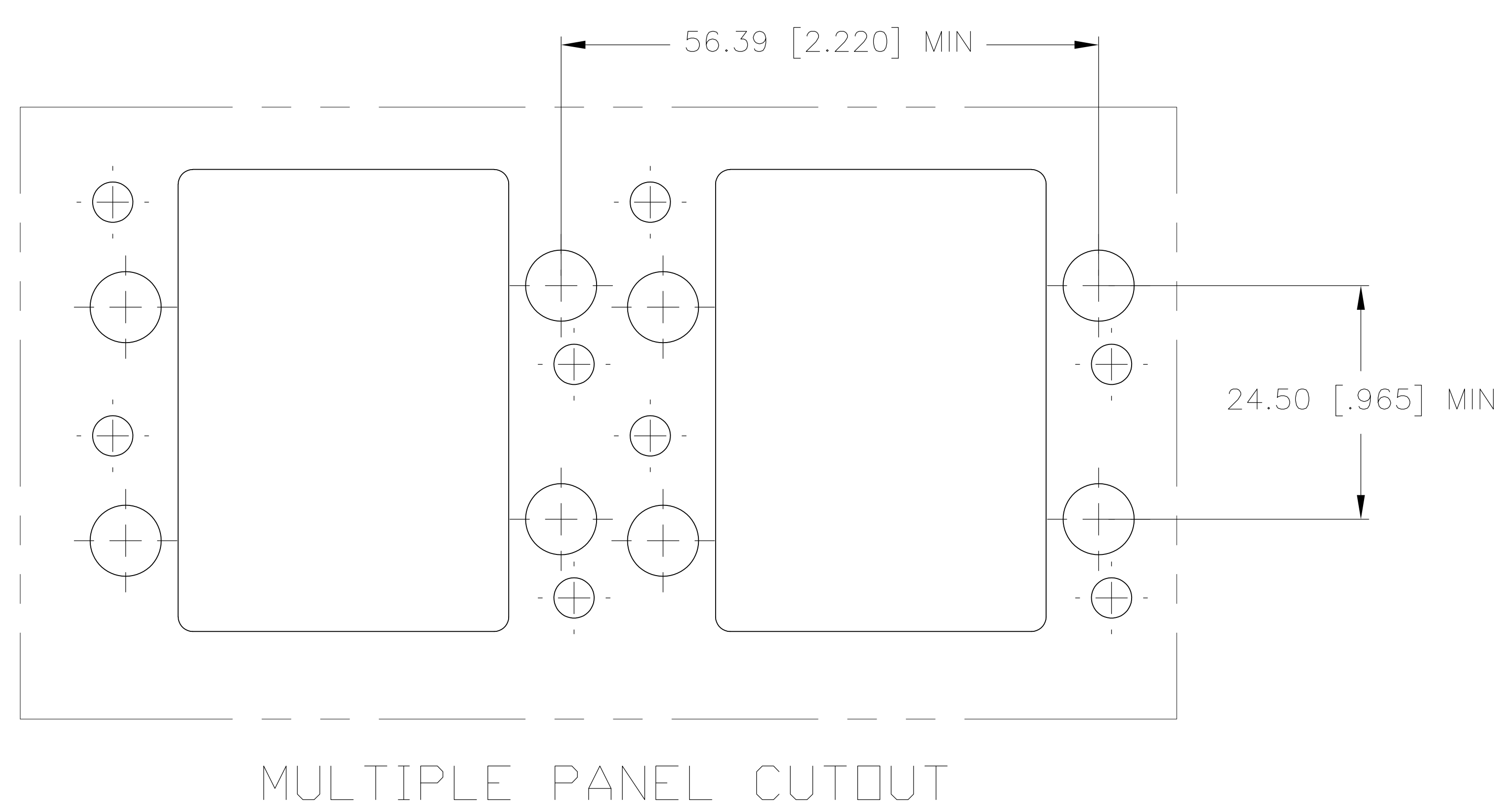
THIS PRINT IS
PRELIMINARY
UNQUALIFIED PRODUCT
CONTACT PRODUCT ENGINEERING
BEFORE USING THIS PRINT

1738240-1
PART NUMBER

THIS DRAWING IS A CONTROLLED DOCUMENT.		DATE	BY	CHKD	APPD	Tyco Electronics Corporation Harrisburg, Pa 17105-3608	
DIMENSIONS: mm (INCHES)		TOY RANGE UNLESS OTHERWISE SPECIFIED:	0.125 (1/8)	0.25 (1/4)	0.5 (1/2)	1.0 (1)	2.0 (2)
MATERIAL: 1		FINISH: 2	WEIGHT: -	SCALE: 1:1	SHEET: 1 OF 2	REV: 2	RESTRICTED TO: -
CUSTOMER DRAWING		SIZE: A0	DATE CODE: 00779	DRAWING NO: 1738240	RECEPTACLE SHELL KIT, WITH POLARIZING HARDWARE, GPRB1		

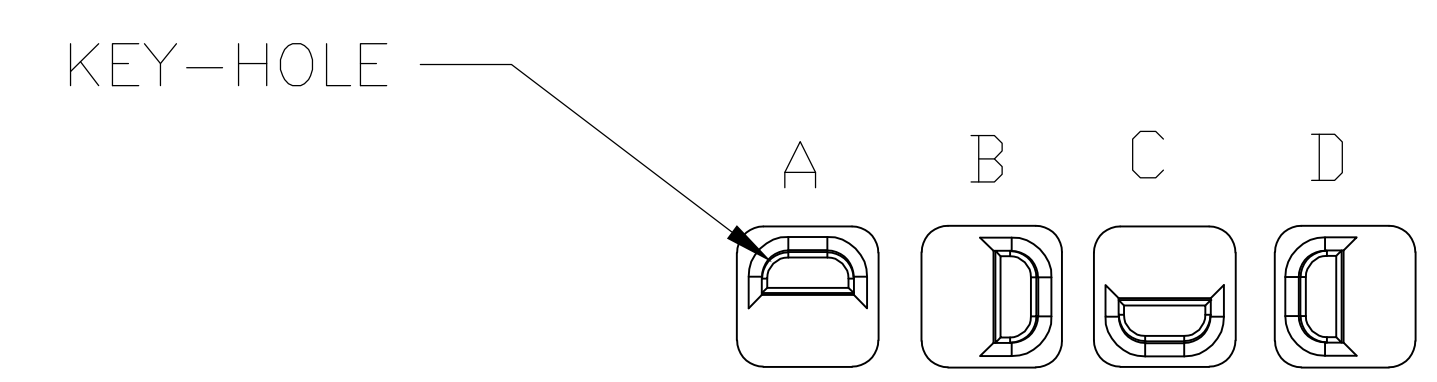


RECOMMENDED PANEL CUTOUT - COMPONENT SIDE



CODE NUMBER 08 SHOWN: B-D
 POLARIZATION KEY 1 POLARIZATION KEY 2

RECEPTACLE CONNECTOR POLARIZATION



CODE NUMBER	KEY 1	KEY 2
01	A	A
02	D	A
03	C	A
04	B	A
05	A	D
06	D	D
07	C	D
08	B	D
09	A	C
10	D	C
11	C	C
12	B	C
13	A	B
14	D	B
15	C	B
16	B	B

KEY-HOLE ORIENTATION

THIS PRINT IS
PRELIMINARY
 UNQUALIFIED PRODUCT
 CONTACT PRODUCT ENGINEERING
 BEFORE USING THIS PRINT

1738240-1
 PART NUMBER

THIS DRAWING IS A CONTROLLED DOCUMENT.		REV	DATE	BY	APP'D
DIMENSIONS: mm (INCHES)		REV	DATE	BY	APP'D
TOLERANCES UNLESS OTHERWISE SPECIFIED:		Tyco Electronics Corporation Harrisburg, Pa 17105-3608			
D. PLC	± .01	RECEPTACLE SHELL KIT, WITH POLARIZING HARDWARE, GPRB1			
F. PLC	± .015	SIZE: 1.1			
G. PLC	± .015	SCALE: 1:1			
H. PLC	± .015	SHEET: 2 OF 2			
MATERIAL:	FINISH:	DRAWING NO: 1738240			
CUSTOMER DRAWING		REV: 2			

X-ON Electronics

Largest Supplier of Electrical and Electronic Components

Click to view similar products for [Rack & Panel Connectors](#) category:

Click to view products by [TE Connectivity](#) manufacturer:

Other Similar products are found below :

[00170420102](#) [00171420202](#) [00171440002](#) [008026165000265](#) [02-014-013-5200-000](#) [613467-000](#) [CTJ112E01E-513](#) [CTJ116E03A-513](#)
[M81714/63-22S L/C](#) [M81714/65-12-1](#) [66020-2](#) [CW8958-000](#) [699886-000](#) [D250-50632](#) [70.400.3240.0](#) [70.955.2453.3](#) [733753-000](#) [F22831-000](#) [780-522-DPX34RG8-02](#) [MMA25-0341D1](#) [8660-501](#) [87.060.0053.0](#) [900709N001](#) [QRP4-12P-C\(01\)](#) [QR/P6-6S-C\(01\)](#) [1218600-1](#) [D-659-0061](#) [DMC-MD 24 C-T](#) [1-445717-6](#) [1484398-2](#) [1484399-2](#) [1484469-2](#) [MR-34MG](#) [1604997-2](#) [1663130-1](#) [1663767-7](#) [1663767-8](#) [MTC100-BF1-P31CS015](#) [MTC100-KT2-0083](#) [MTC100-KT2-0123-003](#) [MTC100-YA1-005](#) [MTCB1X-105-XXX](#) [MTCB1X-105-XXX](#) [MTCPQKT1R2PGCA](#) [MTCR-103-04S](#) [MTCX1X-100-100CS025](#) [1738331-1](#) [1757667-1](#) [1883433-1](#) [1996636-1](#) [201784-4](#)