

4

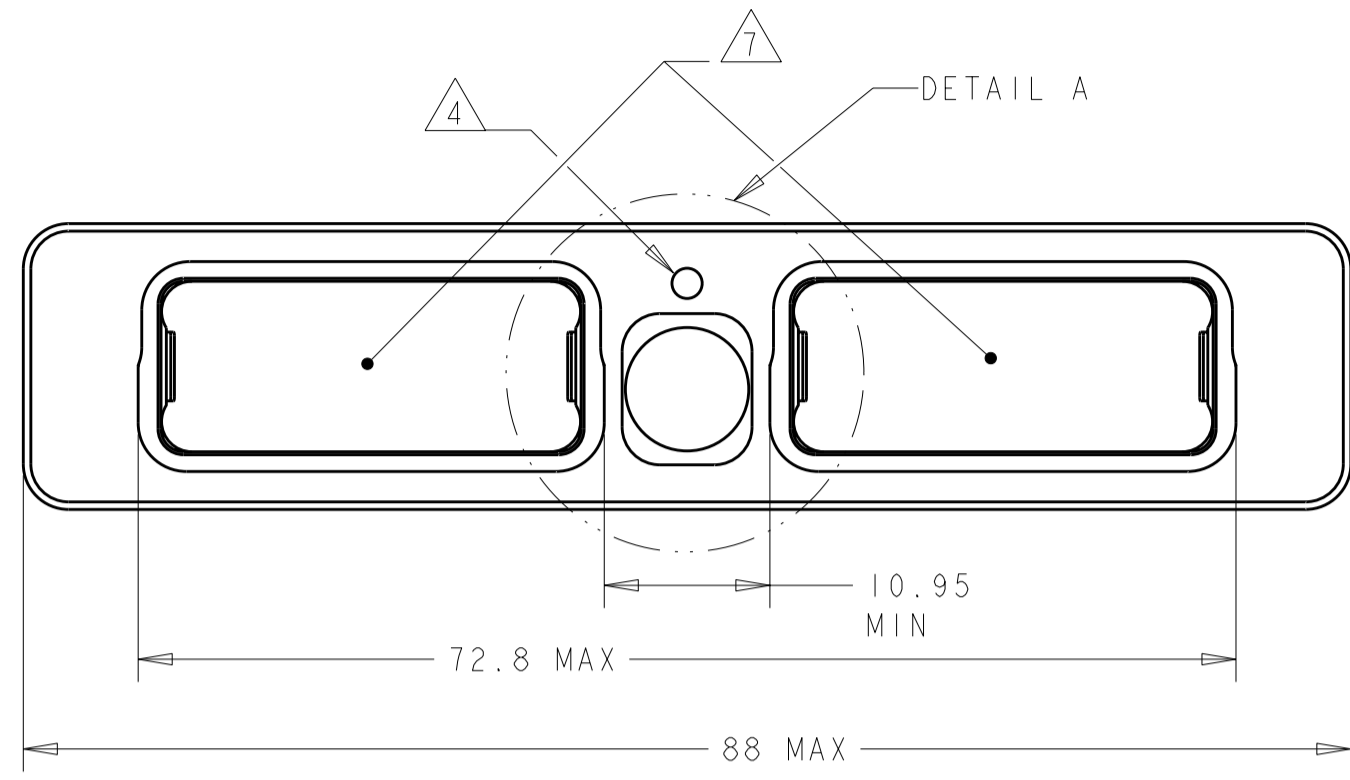
3

2

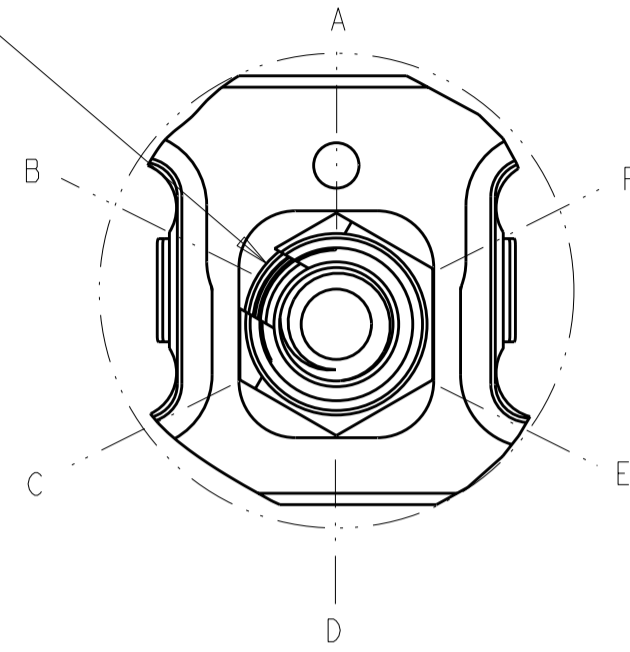
1

THIS DRAWING IS UNPUBLISHED. RELEASED FOR PUBLICATION
© COPYRIGHT - BY TYCO ELECTRONICS CORPORATION. ALL RIGHTS RESERVED.

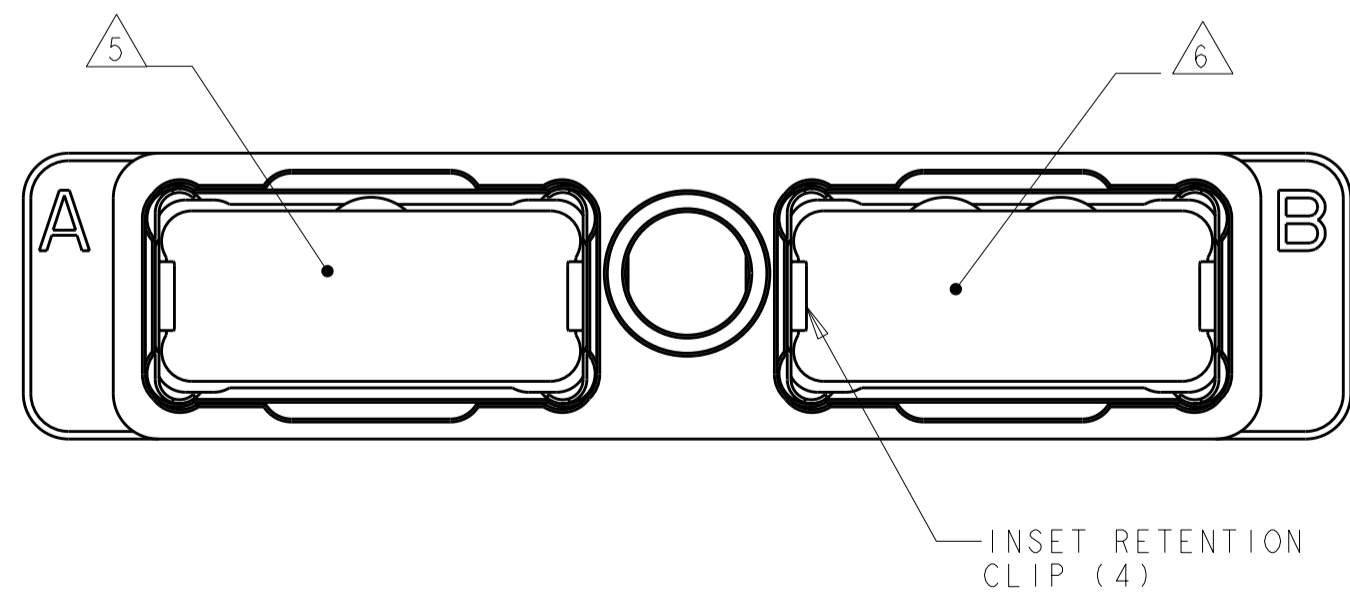
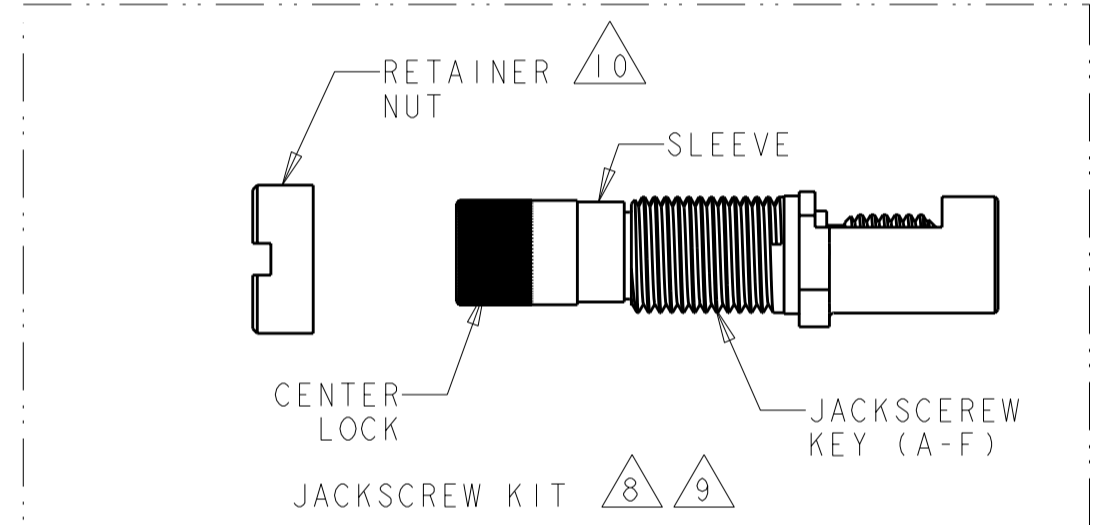
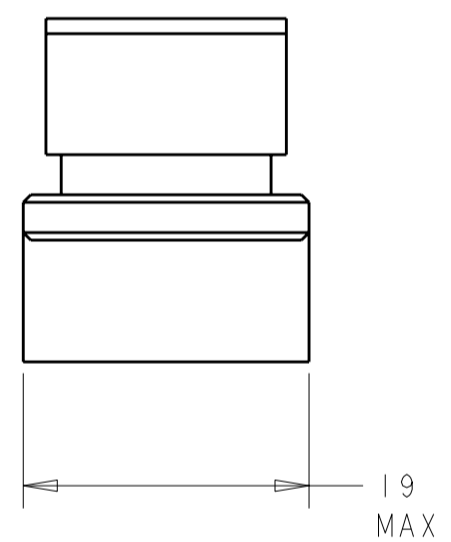
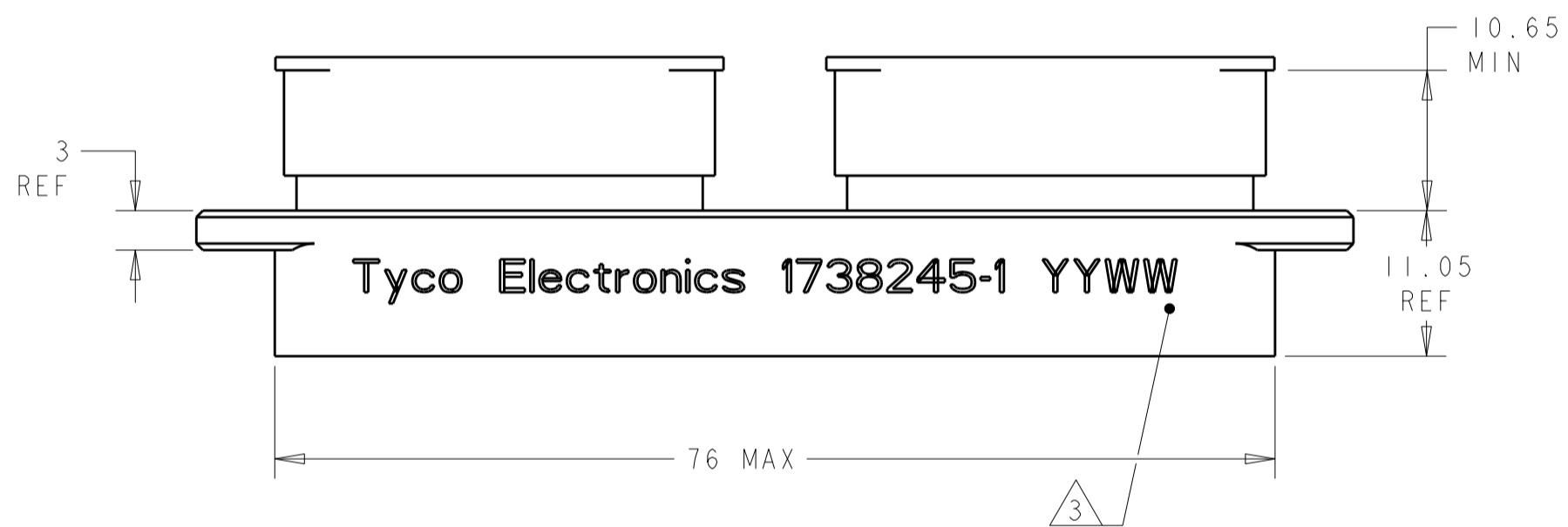
LOC		DIST		REVISIONS			
P	LTR	DESCRIPTION	DATE	DWN	APVD		
	A	REV PER ECO 10-021447	10-21-10	CT	KH		



KEY SLOT OF A - F JACKSCREW
ALIGNED WITH THE CORNER POINTS
OF THE POLARIZING HEX
(SHOWN IN POSITION B)



DETAIL A
SCALE 3:1



SEE NOTES ON SHEET 2

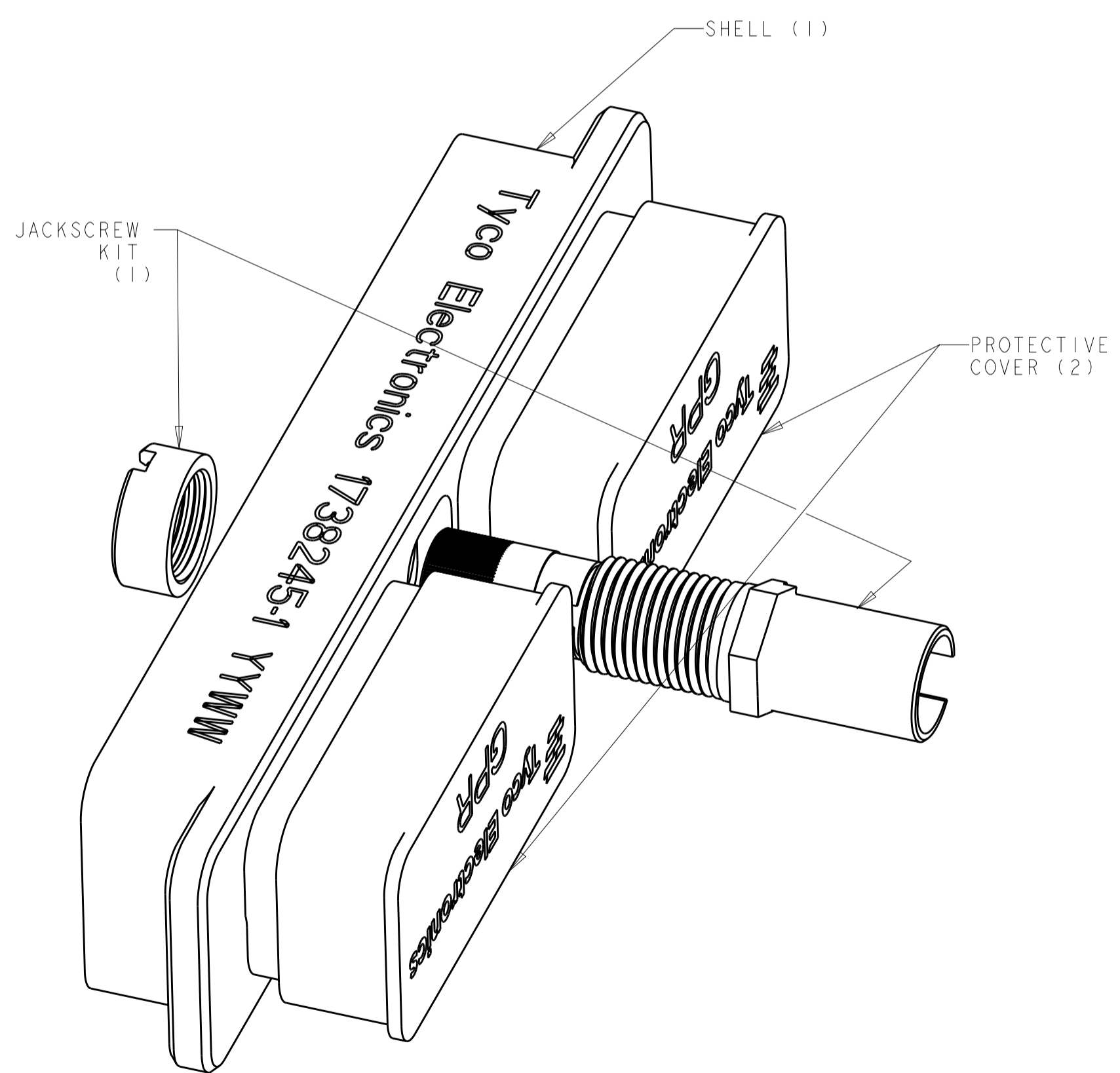
1738245-1
PART NUMBER

THIS DRAWING IS A CONTROLLED DOCUMENT FOR TYCO ELECTRONICS CORPORATION IT IS SUBJECT TO CHANGE AND THE CONTROLLING ENGINEERING ORGANIZATION SHOULD BE CONTACTED FOR THE LATEST REVISION.		DWN BH	40CT06	Tyco Electronics Harrisburg, PA 17105-3608
DIMENSIONS: mm		CHK JPM	40CT06	
TOLERANCES UNLESS OTHERWISE SPECIFIED: 0 PLC ± 1 PLC ±0.1 2 PLC ±0.05 3 PLC ± 4 PLC ± ANGLES ±1 FINISH		APVD JPM	40CT06	NAME PLUG SHELL KIT, WITH A-F JACKSCREW, GPRB2
MATERIAL		PRODUCT SPEC	-	SIZE A200779
SCALE 1:1		APPLICATION SPEC	-	CAGE CODE C-1738245
CUSTOMER DRAWING		WEIGHT	-	DRAWING NO 1738245
		RESTRICTED TO	-	SHEET 1 OF 2
		REV	A	

THIS DRAWING IS UNPUBLISHED. RELEASED FOR PUBLICATION
 © COPYRIGHT BY TYCO ELECTRONICS CORPORATION. ALL RIGHTS RESERVED.

LOC		DIST		REVISIONS			
P	LTR	DESCRIPTION	DATE	DWN	APVD		
-	-	SEE SHEET 1	-	-	-		

- ① SHELL: ALUMINUM ALLOY 6061 T651
 INSERT RETENTION CLIP & JACKSCREW SLEEVE: COPPER ALLOY PER ASTM B194
 JACKSCREW KEY, CENTER LOCK, & RETAINING NUT: STAINLESS STEEL PER AISI 316
 PROTECTIVE COVER: THERMOPLASTIC ELASTOMER
 - ② SHELL: ELECTROLESS NICKEL PER SAE AMS-C-26074, CLASS 1.
 - ③ MARKED WITH TE LOGO, PART NO. & DATE CODE - YEAR & WEEK (YY WW)
 - ④ INDEXING POINT FOR POLARIZATION.
 - ⑤ SHELL CAVITY FOR GPRB SERIES INSERTS WITH KEYING CODE A.
 - ⑥ SHELL CAVITY FOR GPRB SERIES INSERTS WITH KEYING CODE B.
 - ⑦ PROTECTIVE COVERS NOT SHOWN FOR CLARITY.
 - ⑧ THE JACKSCREW AND RETAINING NUT ARE SHIPPED UNASSEMBLED.
 THE CUSTOMER SHALL APPLY LOCTITE® PRODUCT 272 THREADLOCKING ADHESIVE
 WHEN INSTALLING THESE ON THE SHELL ASSEMBLY. LOCTITE® IS A
 REGISTERED TRADEMARK OF HENKEL CORPORATION.
 - ⑨ THE JACKSCREW KIT, TE P/N 1738205-1, IS ALSO AVAILABLE SEPARATELY.
 - ⑩ A SPANNER WRENCH TOOL, TE P/N 1738220-1 (WITH 1/4-in ADAPTER)
 OR 1738221-1 (WITH T-HANDLE), IS USED TO LOCK THE RETAINING NUT.
 RECOMMENDED LOCKING TORQUE: 1.5 N-m [13 in-lb].
11. DESCRIPTIVE PART NUMBER: GPRB2PB12N
 SERIES: GPRB
 SHELL SIZE: 2 (TWO-CAVITY SHELL)
 SHELL STYLE: P (PLUG)
 MODIFICATION CODE: B (NO MOUNTING HOLES)
 LOCKING & POLARIZING DEVICE: 1 (JACKSCREW)
 POLARIZATION CODE: 2 (A-FJACKSCREW HARDWARE SHIPPED UNASSEMBLED)
 SHELL PLATING: N (NICKEL PLATING)
12. THIS PRODUCT IS SOLD BY TYCO ELECTRONICS UNDER A LICENSE FROM RADIAL SA.



SCALE 3:1

THIS DRAWING IS A CONTROLLED DOCUMENT FOR TYCO ELECTRONICS CORPORATION IT IS SUBJECT TO CHANGE AND THE CONTROLLING ENGINEERING ORGANIZATION SHOULD BE CONTACTED FOR THE LATEST REVISION.		DWN	40CT06		Tyco Electronics Harrisburg, PA 17105-3608				
DIMENSIONS:		CHK	40CT06						
mm		APVD	40CT06						
		PRODUCT SPEC	-						
TOLERANCES UNLESS OTHERWISE SPECIFIED:		APPLICATION SPEC	-		NAME	PLUG SHELL KIT, WITH A-F JACKSCREW, GPRB2			
0 PLC	±	WEIGHT	-		SIZE	CAGE CODE	DRAWING NO	RESTRICTED TO	
1 PLC	±0.1	CUSTOMER DRAWING		SCALE	1:1	SHEET	2 OF 2	REV	A
2 PLC	±0.05								
3 PLC	±								
4 PLC	±								
ANGLES	±1								
FINISH	-								

X-ON Electronics

Largest Supplier of Electrical and Electronic Components

Click to view similar products for [Rack & Panel Connectors](#) category:

Click to view products by [TE Connectivity](#) manufacturer:

Other Similar products are found below :

[00170420102](#) [00171420202](#) [00171440002](#) [008026165000265](#) [02-014-013-5200-000](#) [613467-000](#) [CTJ112E01E-513](#) [CTJ116E03A-513](#)
[M81714/63-22S L/C](#) [M81714/65-12-1](#) [66020-2](#) [CW8958-000](#) [699886-000](#) [D250-50632](#) [70.400.3240.0](#) [70.955.2453.3](#) [733753-000](#) [F22831-000](#) [780-522-DPX34RG8-02](#) [MMA25-0341D1](#) [8660-501](#) [87.060.0053.0](#) [900709N001](#) [QRP4-12P-C\(01\)](#) [QR/P6-6S-C\(01\)](#) [1218600-1](#) [D-659-0061](#) [DMC-MD 24 C-T](#) [1-445717-6](#) [1484398-2](#) [1484399-2](#) [1484469-2](#) [MR-34MG](#) [1604997-2](#) [1663130-1](#) [1663767-7](#) [1663767-8](#) [MTC100-BF1-P31CS015](#) [MTC100-KT2-0083](#) [MTC100-KT2-0123-003](#) [MTC100-YA1-005](#) [MTCB1X-105-XXX](#) [MTCQKT1R2PGCA](#) [MTCR-103-04S](#) [MTCX1X-100-100CS025](#) [1738331-1](#) [1757667-1](#) [1883433-1](#) [1996636-1](#) [201784-4](#)