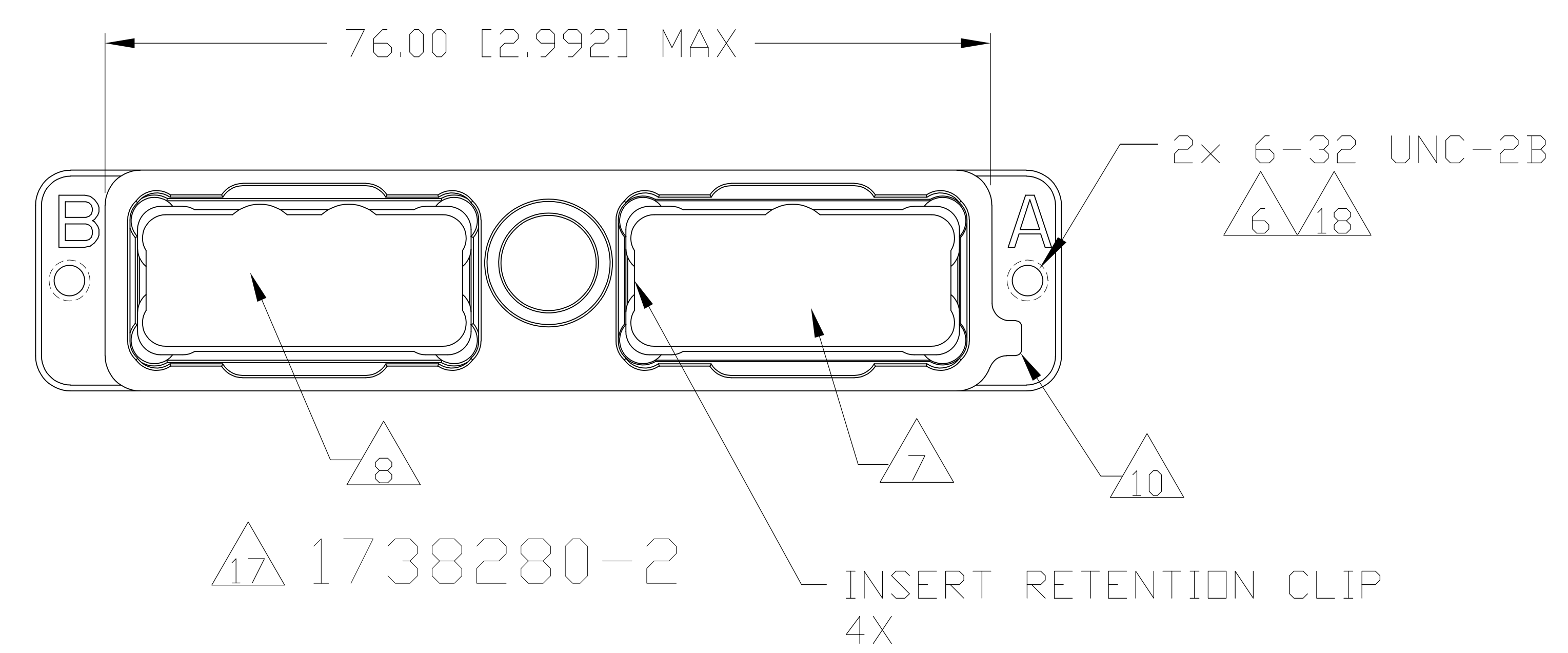
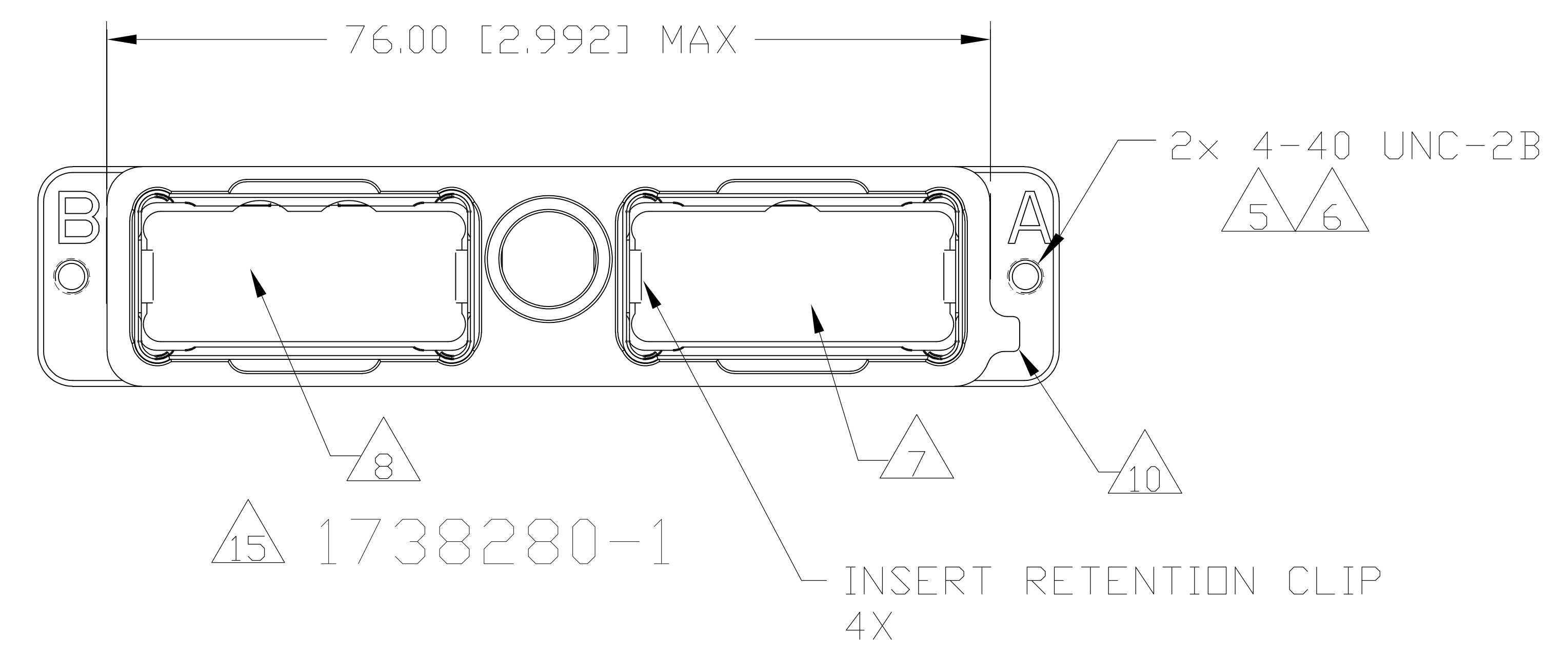
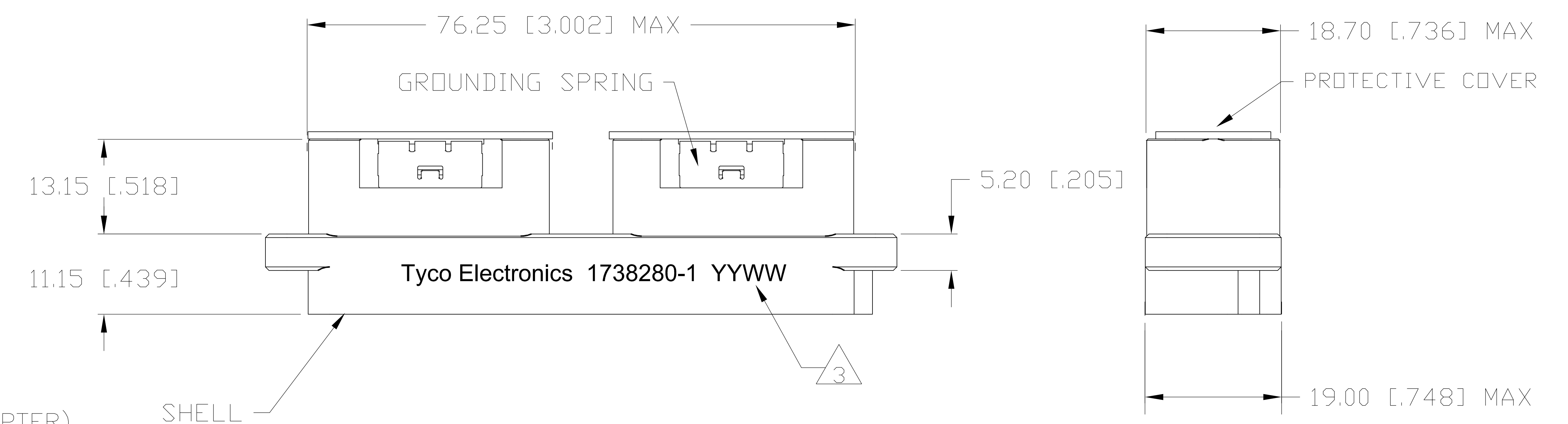
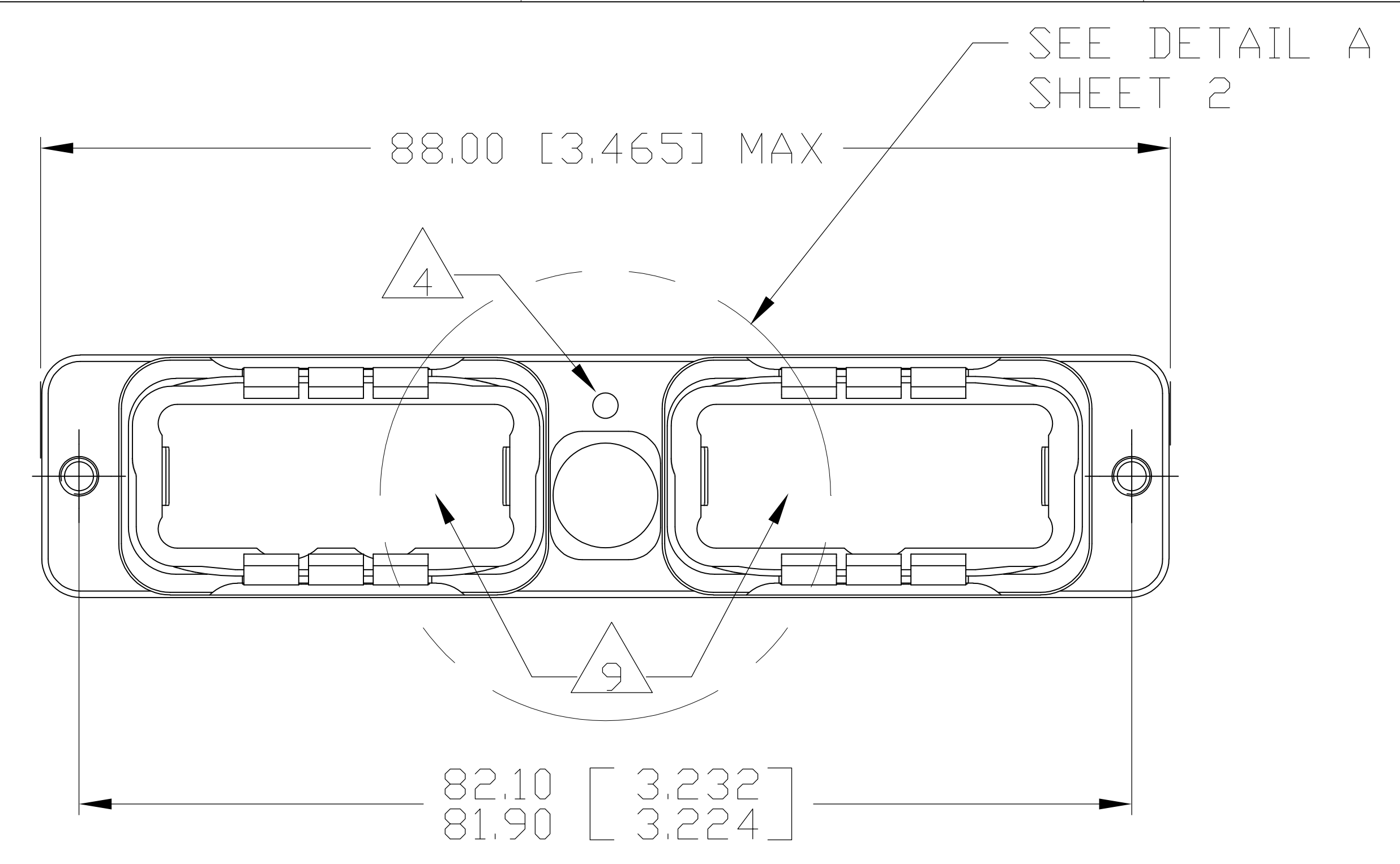


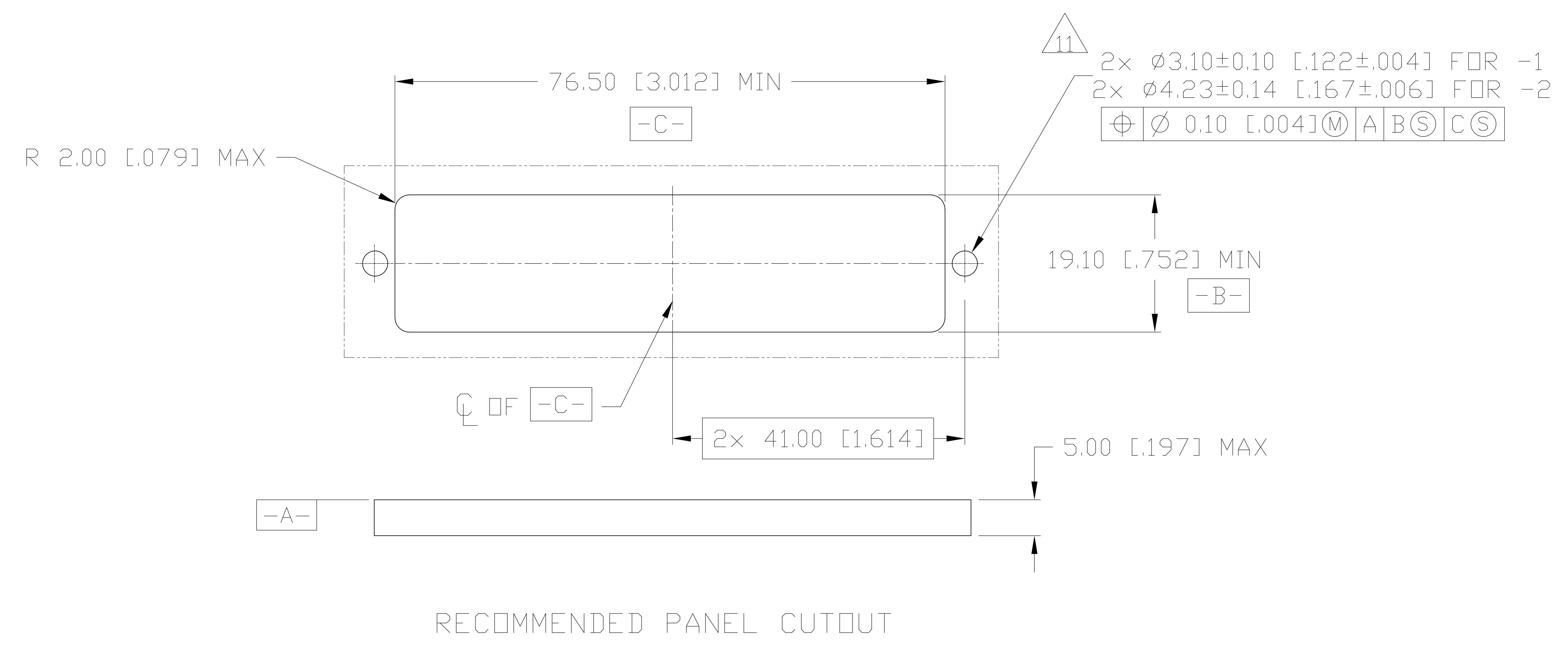
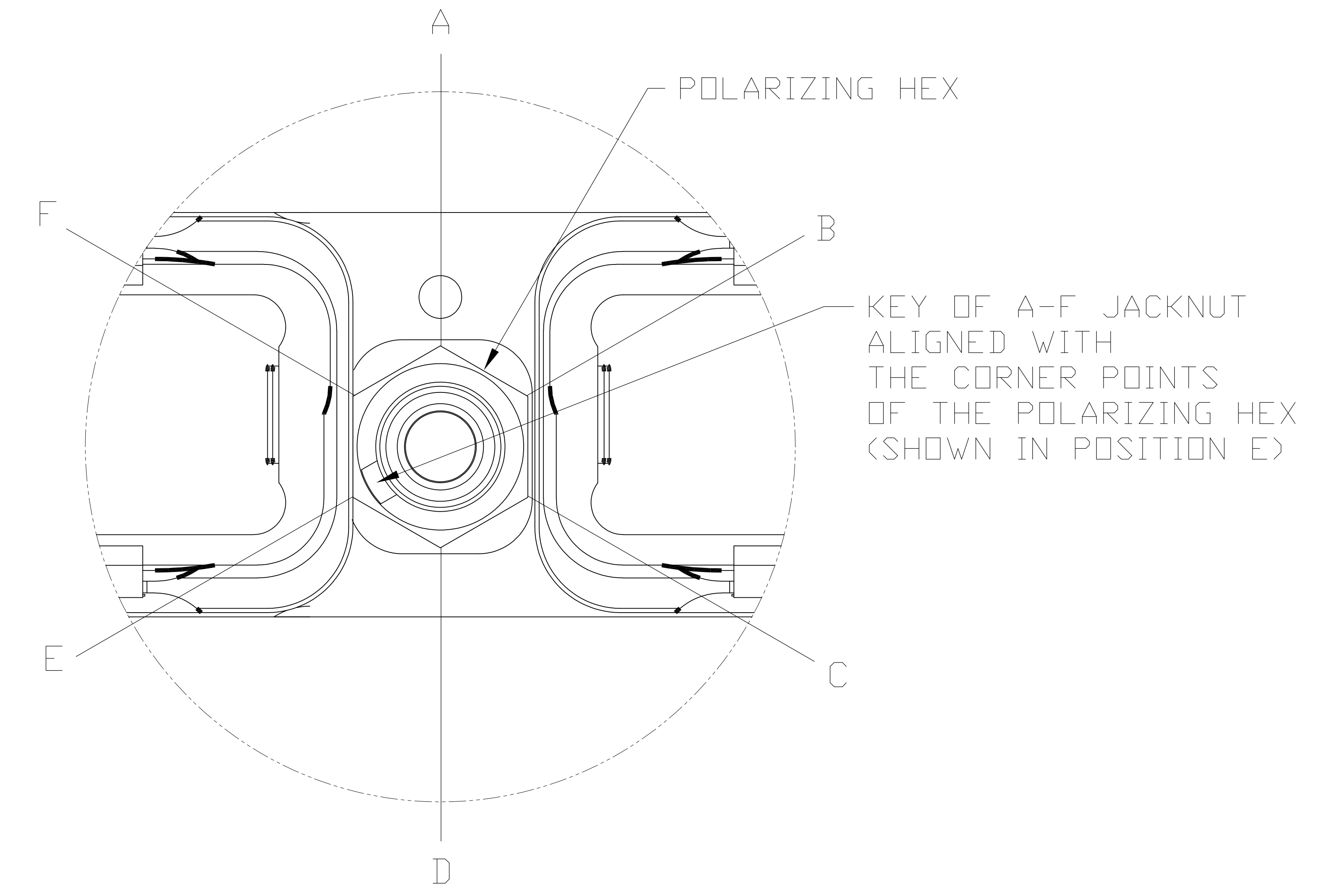
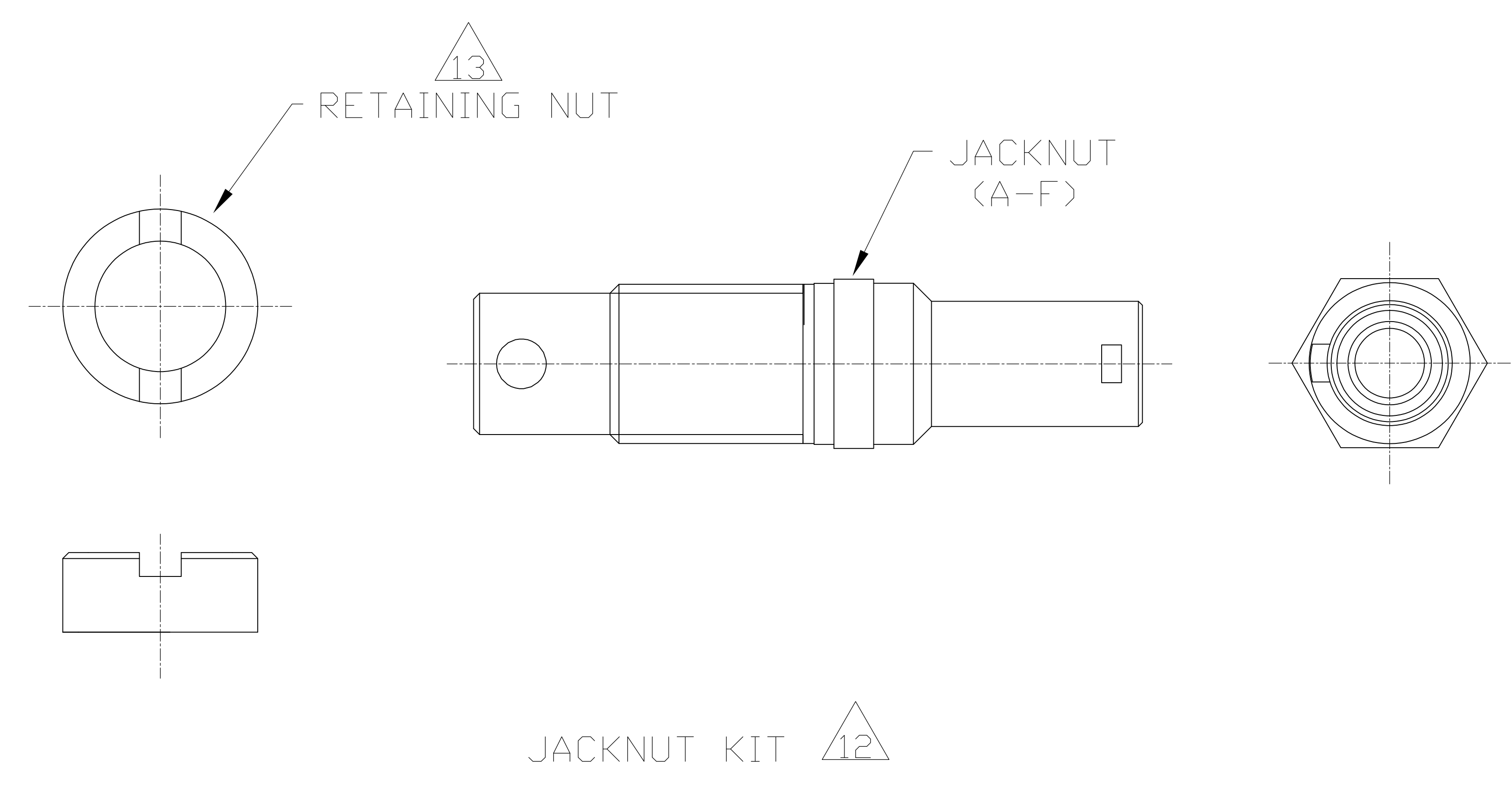
REV	DESCRIPTION	DATE	BY	APP'D
B	REV PER ECO 14-006462	5-1-14	CT	KH

- 1 SHELL: ALUMINUM ALLOY 6061 T651
INSERT RETENTION CLIP & GROUNDING SPRING: COPPER ALLOY PER ASTM B194
JACKNUT & RETAINING NUT: STAINLESS STEEL PER AISI 316
JACKNUT SPRING: STAINLESS STEEL PER AISI 302
PROTECTIVE COVER: THERMOPLASTIC ELASTOMER
- 2 SHELL: ELECTROLESS NICKEL PER SAE AMS-C-26074, CLASS 1.
GROUNDING SPRING: ELECTROLYTIC NICKEL PER SAE AMS-QQ-290.
- 3 PART TO BE MARKED WITH TYCO ELECTRONICS PRODUCT IDENTIFIER, PART NUMBER AND DATE CODE (YYWW) IN APPROX. AREA SHOWN.
- 4 INDEXING POINT FOR POLARIZATION.
- 5 4-40 SCREWS ARE REQUIRED FOR PANEL MOUNTING (NOT INCLUDED)
RECOMMENDED TORQUE 1.1 N-m [10 in-lb] MIN
- 6 THREADED HOLES ARE SELF-LOCKING, HAVING THE SPIRALOCK THREAD FORM.
SPIRALOCK IS A REGISTERED TRADEMARK OF SPIRALOCK CORPORATION.
- 7 SHELL CAVITY FOR GPRB SERIES INSERTS WITH KEYING CODE A.
- 8 SHELL CAVITY FOR GPRB SERIES INSERTS WITH KEYING CODE B.
- 9 PROTECTIVE COVERS NOT SHOWN FOR CLARITY.
- 10 POLARIZATION FEATURE TO PREVENT FRONT PANEL MOUNTING.
- 11 SCREW HEAD DIAMETER: 6.00 [.236] MAX.
- 12 THE JACKNUT AND RETAINING NUT ARE SHIPPED UNASSEMBLED.
THE CUSTOMER SHALL APPLY LOCTITE[®] PRODUCT 272 THREADLOCKING ADHESIVE WHEN INSTALLING THESE ON THE SHELL ASSEMBLY. LOCTITE[®] IS A REGISTERED TRADEMARK OF LOCTITE CORPORATION.
- 13 A SPANNER WRENCH TOOL, TYCO ELECTRONICS P/N 1738220-1 (WITH 1/4-in ADAPTER) OR 1738221-1 (WITH T-HANDLE), IS USED TO LOCK THE RETAINING NUT.
RECOMMENDED LOCKING TORQUE: 1.5 N-m [13 in-lb].
- 14. PITCH FOR SIDE-BY-SIDE MOUNTING: 19.50 [.768] MIN.
- 15 FOR 1738280-1
DESCRIPTIVE PART NUMBER: GPRB2HL22N
SERIES: GPRB
SHELL SIZE: 2 (TWO-CAVITY SHELL)
SHELL STYLE: H (RECEPTACLE WITH GROUNDING SPRINGS)
MODIFICATION CODE: L (2x 4-40 UNC MOUNTING HOLES FOR REAR PANEL-MOUNTING)
LOCKING & POLARIZING DEVICE: 2 (JACKNUT)
POLARIZATION CODE: 2 (A-F JACKNUT HARDWARE SHIPPED UNASSEMBLED)
SHELL PLATING: N (NICKEL PLATING)
- 16. THIS PRODUCT IS SOLD BY TYCO ELECTRONICS UNDER A LICENSE FROM RADIALL SA.
- 17 FOR 1738280-2
DESCRIPTIVE PART NUMBER: GPRB2HF22N
SERIES: GPRB
SHELL SIZE: 2 (TWO-CAVITY SHELL)
SHELL STYLE: H (RECEPTACLE WITH GROUNDING SPRINGS)
MODIFICATION CODE: F (2x 6-32 UNC MOUNTING HOLES FOR REAR PANEL-MOUNTING)
LOCKING & POLARIZING DEVICE: 2 (JACKNUT)
POLARIZATION CODE: 2 (A-F JACKNUT HARDWARE SHIPPED UNASSEMBLED)
SHELL PLATING: N (NICKEL PLATING)
- 18 6-32 SCREWS ARE REQUIRED FOR PANEL MOUNTING (NOT INCLUDED)
RECOMMENDED TORQUE 1.6 N-m [14 in-lb] MIN



W/6-32 HOLES	1738280-2
W/4-40 HOLES	1738280-1
DESCRIPTION	PART NO.

THIS DRAWING IS A CONTROLLED DOCUMENT. DATE: 05/13/14. DWG NO: 1738280-1. DRW: J.MOSIER. REV: 0001. DESCRIPTION: RECEPTACLE SHELL KIT, REAR PANEL MOUNT, WITH A-F JACKNUT, GPRB2. SCALE: 2:1. SHEET: 1 OF 2. REV: B. CUSTOMER DRAWING. AUTO-CAD.



THIS DRAWING IS A CONTROLLED DOCUMENT.		DATE	02/2012	REV	1
DRAWN BY		DESIGNED BY	J. FLAGG	APPROVED BY	J. MOSIER
CHECKED BY		DATE	02/2012	REV	1
DESCRIPTION		PRODUCT SPEC		APPLICATION SPEC	
DIMENSIONS (mm [INCHES])		UNLESS OTHERWISE SPECIFIED:			
Ø	D. PLG	± 0.10			
	F. PLG	± 0.2			
	B. PLG	± 0.2			
	A. PLG	± 0.2			
	ANGLE	± 0.5			
MATERIAL		WEIGHT		SIZE	SCALE CODE
FINISH				AO00779	DRAWING NO
CUSTOMER DRAWING				1738280	RESTRICTED TO
		SCALE	2:1	SHEET	2 OF 2
				REV	B

X-ON Electronics

Largest Supplier of Electrical and Electronic Components

Click to view similar products for [Rack & Panel Connectors](#) category:

Click to view products by [TE Connectivity](#) manufacturer:

Other Similar products are found below :

[00170420102](#) [00171420202](#) [00171440002](#) [008026165000265](#) [02-014-013-5200-000](#) [613467-000](#) [CTJ112E01E-513](#) [CTJ116E03A-513](#)
[M81714/63-22S L/C](#) [M81714/65-12-1](#) [66020-2](#) [CW8958-000](#) [699886-000](#) [D250-50632](#) [70.400.3240.0](#) [70.955.2453.3](#) [733753-000](#) [F22831-000](#) [780-522-DPX34RG8-02](#) [MMA25-0341D1](#) [8660-501](#) [87.060.0053.0](#) [900709N001](#) [QRP4-12P-C\(01\)](#) [QR/P6-6S-C\(01\)](#) [1218600-1](#) [D-659-0061](#) [DMC-MD 24 C-T](#) [1-445717-6](#) [1484398-2](#) [1484399-2](#) [1484469-2](#) [MR-34MG](#) [1604997-2](#) [1663130-1](#) [1663767-7](#) [1663767-8](#) [MTC100-BF1-P31CS015](#) [MTC100-KT2-0083](#) [MTC100-KT2-0123-003](#) [MTC100-YA1-005](#) [MTCB1X-105-XXX](#) [MTCQKT1R2PGCA](#) [MTCR-103-04S](#) [MTCX1X-100-100CS025](#) [1738331-1](#) [1757667-1](#) [1883433-1](#) [1996636-1](#) [201784-4](#)