

| REV | DATE | DESCRIPTION | BY | CHK | APP'D |
|-----|---------|---------------------------------------|----|-----|-------|
| 1 | 09/04 | CONVERTED RADIAL DWG TO TYCO ACAD DWG | RF | RF | JM |
| 2 | 07APR10 | REVISED | RF | RF | JM |

1 SHELL: ALUMINUM ALLOY 6061 T651
 GROUND BLOCK RETENTION SCREW, JACKNUT & RETAINING NUT: STAINLESS STEEL PER AISI 316
 JACKNUT SPRING: STAINLESS STEEL PER AISI 302
 INSERT RETENTION CLIP, GROUNDING SPRING, GROUND CONTACT RETENTION CLIP
 & GROUNDING CLIP: COPPER ALLOY PER ASTM B194
 INTERMEDIATE PLATE: COPPER ALLOY PER ASTM B103
 GROUND BLOCK INSULATOR: PEI THERMOPLASTIC PER ASTM D5205
 PROTECTIVE COVER: THERMOPLASTIC ELASTOMER

2 SHELL: ELECTROLESS NICKEL PER SAE AMS-C-26074, CLASS 1.
 GROUNDING CLIP: 1.27µm [50 µin] MIN GOLD PER ASTM B488 OVER 1.25µm [50 µin]
 MIN NICKEL PER SAE AMS-QQ-N-290
 INTERMEDIATE PLATE & GROUNDING SPRING: ELECTROLYTIC NICKEL PER SAE AMS-QQ-N-290

3 DATE CODE - YEAR & WEEK (YY WW)

4 INDEXING POINT FOR POLARIZATION.

5 SHELL CAVITY FOR GPRB SERIES INSERTS WITH KEYING CODE A.

6 SHELL CAVITY FOR GPRB SERIES INSERTS WITH KEYING CODE B.

7 PROTECTIVE COVERS NOT SHOWN FOR CLARITY.

8 36 CAVITIES FOR GROUNDING CONTACTS PER M39029/1-101.
 GROUNDING CONTACTS, TYCO ELECTRONICS PART NUMBER 2-592404-1,
 MAY BE PURCHASED SEPARATELY.

9 6-32 SCREWS ARE REQUIRED FOR PANEL MOUNTING (NOT INCLUDED)
 RECOMMENDED TORQUE: 1.6 N-m [14 in-lb] MIN.

10 THREADED HOLES ARE SELF-LOCKING, HAVING THE SPIRALOCK® THREAD FORM.
 SPIRALOCK® IS A REGISTERED TRADEMARK OF SPIRALOCK CORPORATION.

11 SCREW HEAD DIAMETER: 8.50 [0.335] MAX.

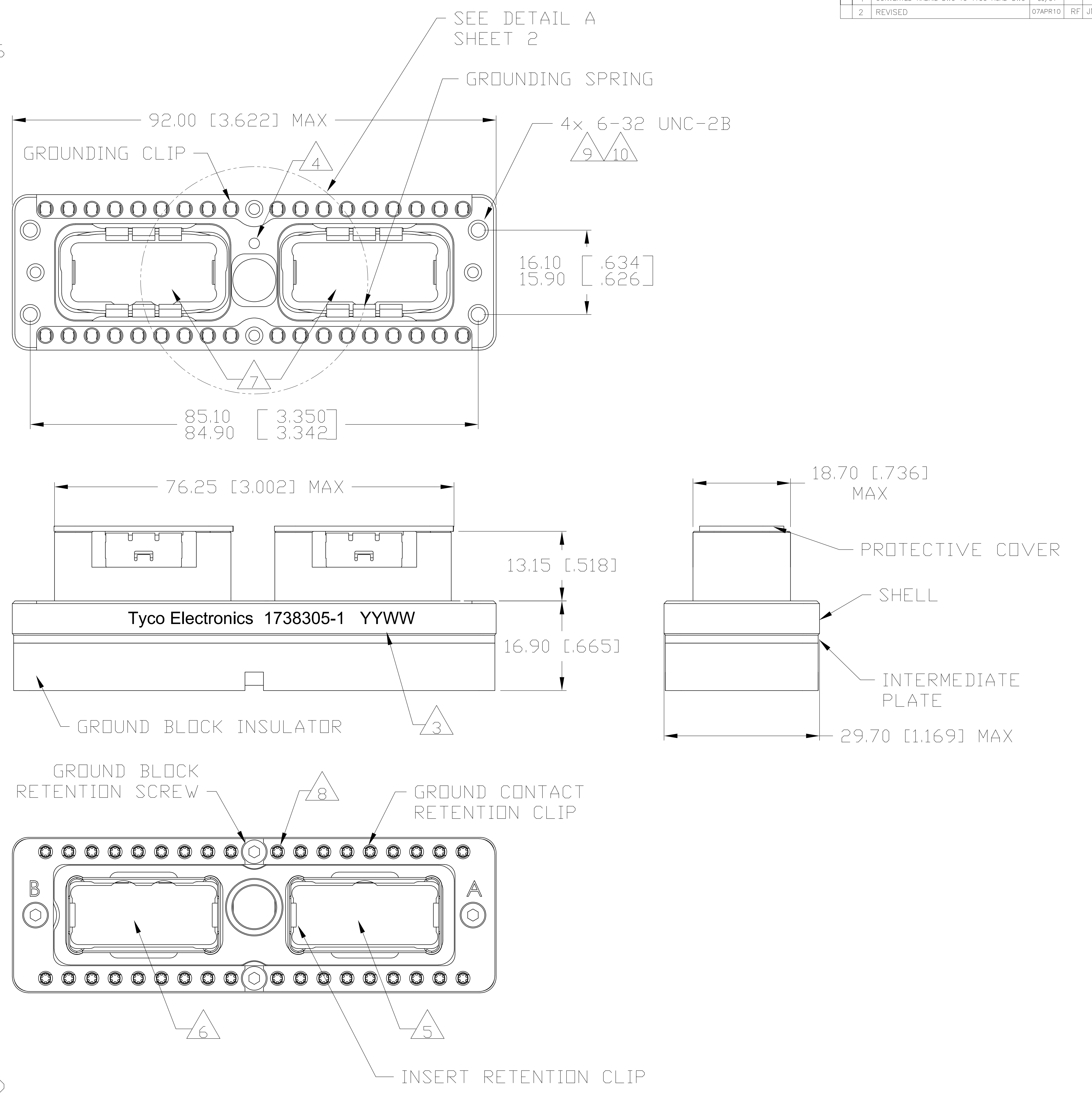
12 THE JACKNUT AND RETAINING NUT ARE SHIPPED UNASSEMBLED.
 THE CUSTOMER SHALL APPLY LOCTITE® PRODUCT 272 THREADLOCKING ADHESIVE
 WHEN INSTALLING THESE ON THE SHELL ASSEMBLY. LOCTITE® IS A
 REGISTERED TRADEMARK OF LOCTITE CORPORATION.

13 A SPANNER WRENCH TOOL, TYCO ELECTRONICS P/N 1738220-1 (WITH 1/4-in ADAPTER)
 OR 1738221-1 (WITH T-HANDLE), IS USED TO LOCK THE RETAINING NUT.
 RECOMMENDED LOCKING TORQUE: 1.5 N-m [13 in-lb].

14. PITCH FOR SIDE-BY-SIDE MOUNTING: 30.10 [1.185] MIN.

15. DESCRIPTIVE PART NUMBER: GPRB2ZA22N
 SERIES: GPRB
 SHELL SIZE: 2 (TWO-CAVITY SHELL)
 SHELL STYLE: Z (RECEPTACLE, WITH GROUNDING BLOCK AND GROUNDING SPRINGS)
 MODIFICATION CODE: A (REAR PANEL-MOUNTED CONNECTOR WITH 4x 6-32 UNC MOUNTING HOLES)
 LOCKING & POLARIZING DEVICE: 2 (JACKNUT)
 POLARIZATION CODE: 2 (A-F JACKNUT HARDWARE SHIPPED UNASSEMBLED)
 SHELL PLATING: N (NICKEL PLATING)

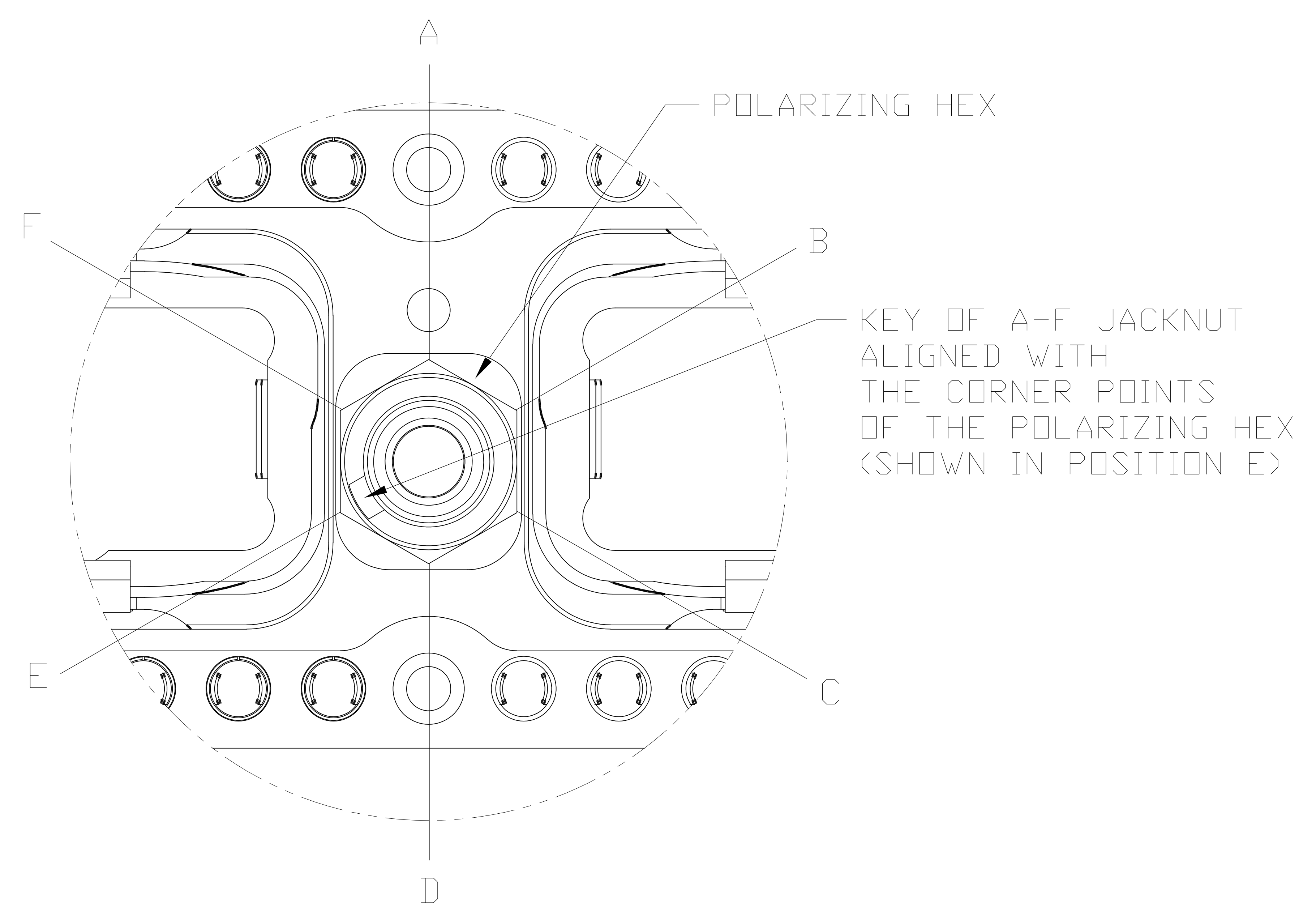
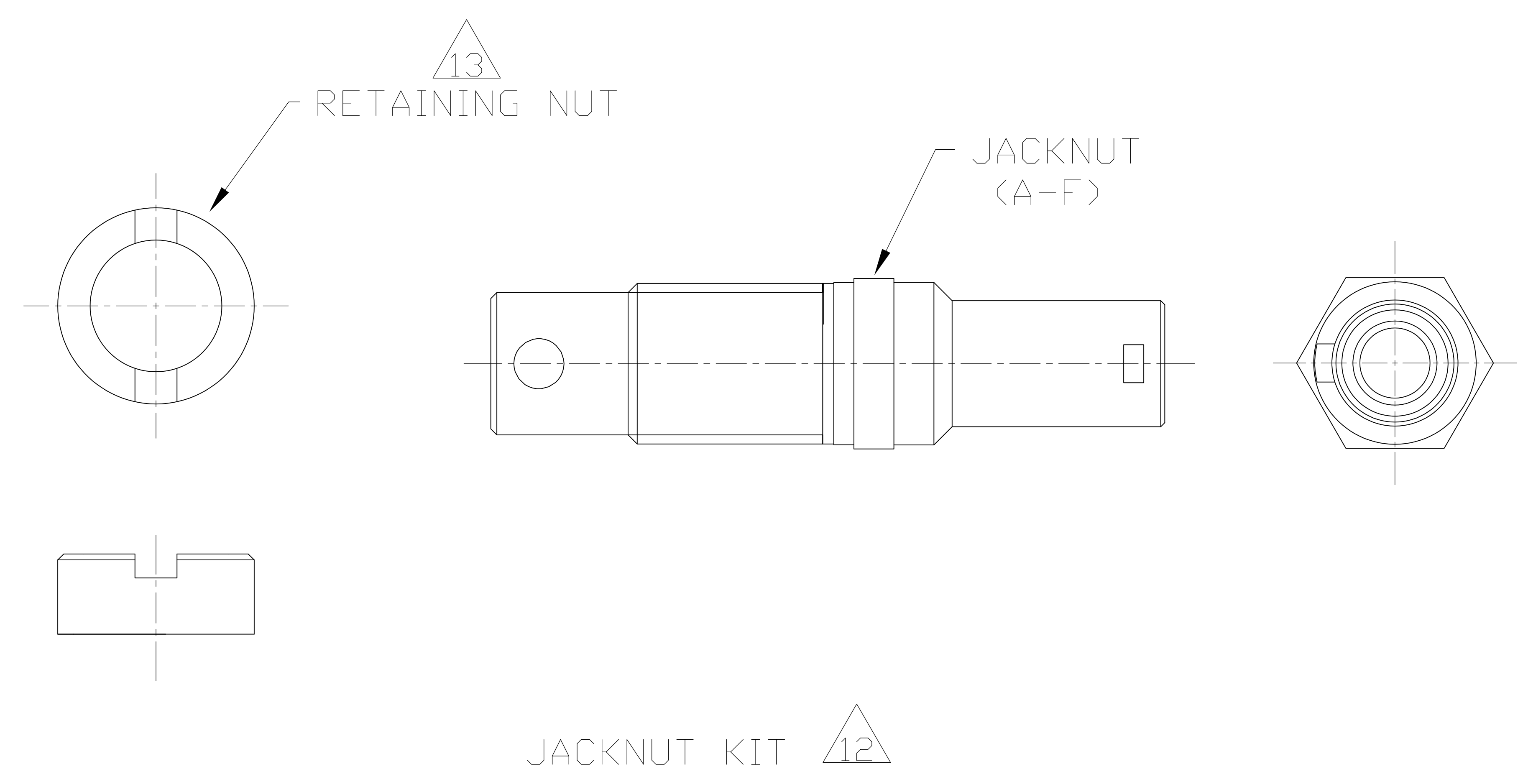
16. THIS PRODUCT IS SOLD BY TYCO ELECTRONICS UNDER A LICENSE FROM RADIALL SA.



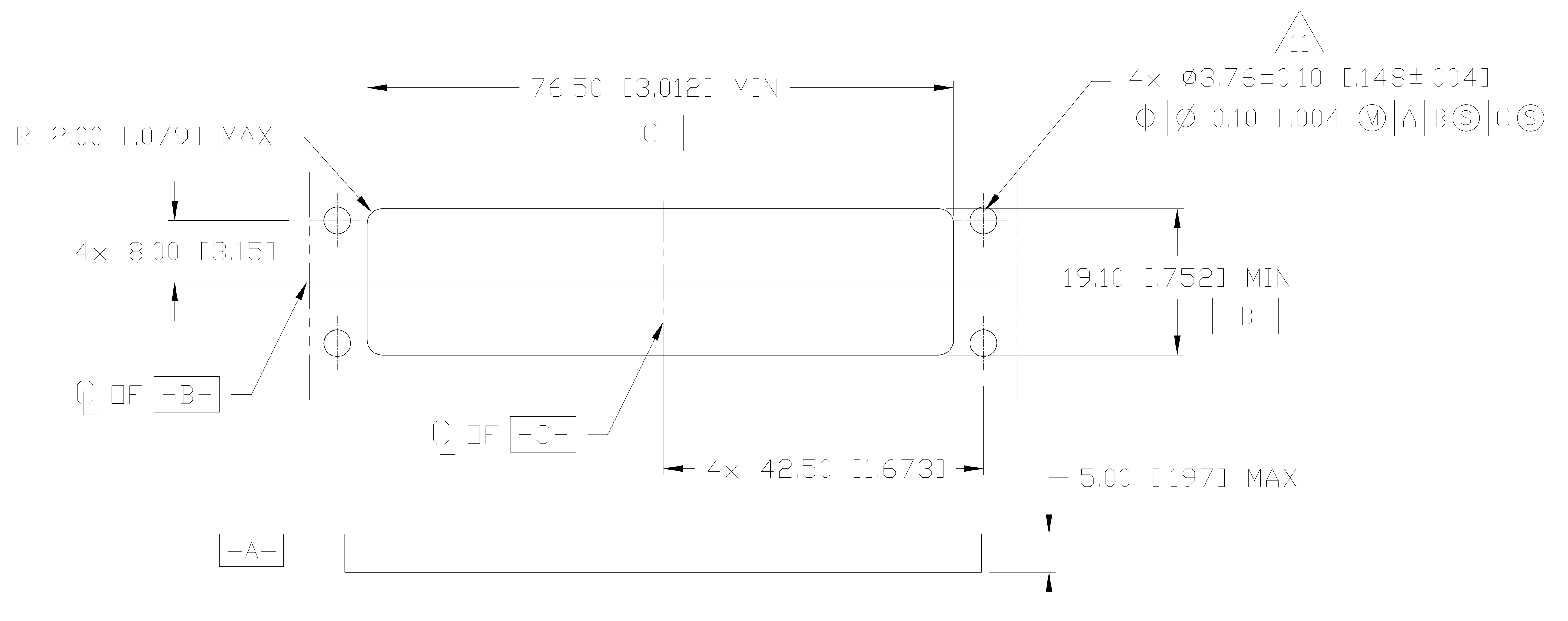
THIS PRINT IS
PRELIMINARY
 UNQUALIFIED PRODUCT
 CONTACT PRODUCT ENGINEERING
 BEFORE USING THIS PRINT

1738305-1
 PART NUMBER

| DIMENSIONS | | TOLERANCES UNLESS OTHERWISE SPECIFIED: | | Dwg. No. | | REV. | | DATE | | BY | | CHK | | APP'D | |
|-------------|--|--|-------|----------|-------|--------|-------|--------|-------|--------|-------|--------|-------|--------|-------|
| mm (INCHES) | | 0. PLG | ± .01 | 1. PLG | ± .01 | 2. PLG | ± .01 | 3. PLG | ± .01 | 4. PLG | ± .01 | 5. PLG | ± .01 | 6. PLG | ± .01 |
| | | APPLICATOR SPEC | | WEIGHT | | SCALE | | SHEET | | REV | | | | | |
| | | CUSTOMER DRAWING | | 1:1 | | 1 OF 2 | | 2 | | | | | | | |



DETAIL A - JACKNUT KIT ASSEMBLED



RECOMMENDED PANEL CUTOUT

THIS PRINT IS
PRELIMINARY
UNQUALIFIED PRODUCT
CONTACT PRODUCT ENGINEERING
BEFORE USING THIS PRINT

1738305-1
PART NUMBER

| | | | | | | | | |
|--|--|---------|--------------|-------|------|------------------|--|---------|
| THIS DRAWING IS A CONTROLLED DOCUMENT. | | REV | DATE | BY | CHKD | APP'D | Tyco Electronics Corporation Harrisburg, Pa 17105-3608 | |
| DIMENSIONS: mm (INCHES) | | 1 | 00 | DF | | | RECEPTACLE SHELL KIT, WITH GROUND BLOCK, REAR PANEL MOUNT, WITH A-F JACKNUT, GPRB2 | |
| TOLERANCES UNLESS OTHERWISE SPECIFIED: | | 0. PLG | ± .005 | APPLN | | SCALE | | SIZE |
| | | 1. PLG | ± .008 | SPEC | | 1:1 | | 1738305 |
| | | 2. PLG | ± 0.2 (0.08) | SPEC | | CUSTOMER DRAWING | | REV 2 |
| | | 3. PLG | ± .005 | SPEC | | | | |
| | | 4. PLG | ± .005 | SPEC | | | | |
| | | 5. PLG | ± .005 | SPEC | | | | |
| | | 6. PLG | ± .005 | SPEC | | | | |
| | | 7. PLG | ± .005 | SPEC | | | | |
| | | 8. PLG | ± .005 | SPEC | | | | |
| | | 9. PLG | ± .005 | SPEC | | | | |
| | | 10. PLG | ± .005 | SPEC | | | | |
| | | 11. PLG | ± .005 | SPEC | | | | |
| | | 12. PLG | ± .005 | SPEC | | | | |
| | | 13. PLG | ± .005 | SPEC | | | | |

X-ON Electronics

Largest Supplier of Electrical and Electronic Components

Click to view similar products for [Rack & Panel Connectors](#) category:

Click to view products by [TE Connectivity](#) manufacturer:

Other Similar products are found below :

[00170420102](#) [00171420202](#) [00171440002](#) [008026165000265](#) [02-014-013-5200-000](#) [613467-000](#) [CTJ112E01E-513](#) [CTJ116E03A-513](#)
[M81714/63-22S L/C](#) [M81714/65-12-1](#) [66020-2](#) [CW8958-000](#) [699886-000](#) [D250-50632](#) [70.400.3240.0](#) [70.955.2453.3](#) [733753-000](#) [F22831-000](#) [780-522-DPX34RG8-02](#) [MMA25-0341D1](#) [8660-501](#) [87.060.0053.0](#) [900709N001](#) [QRP4-12P-C\(01\)](#) [QR/P6-6S-C\(01\)](#) [1218600-1](#) [D-659-0061](#) [DMC-MD 24 C-T](#) [1-445717-6](#) [1484398-2](#) [1484399-2](#) [1484469-2](#) [MR-34MG](#) [1604997-2](#) [1663130-1](#) [1663767-7](#) [1663767-8](#) [MTC100-BF1-P31CS015](#) [MTC100-KT2-0083](#) [MTC100-KT2-0123-003](#) [MTC100-YA1-005](#) [MTCB1X-105-XXX](#) [MTCQKT1R2PGCA](#) [MTCR-103-04S](#) [MTCX1X-100-100CS025](#) [1738331-1](#) [1757667-1](#) [1883433-1](#) [1996636-1](#) [201784-4](#)