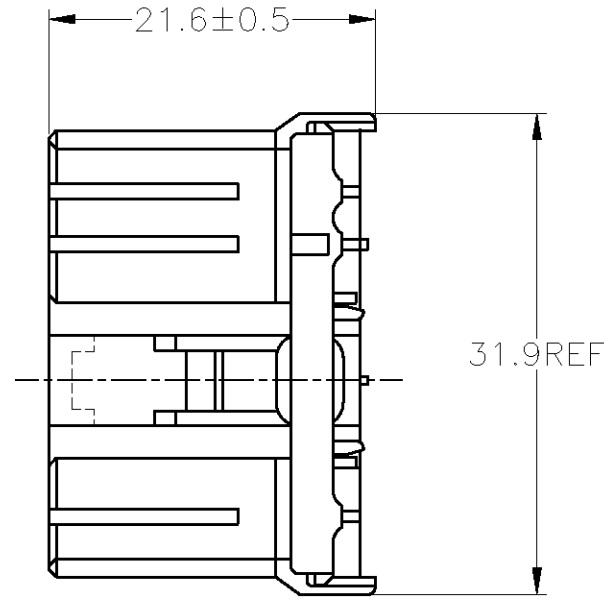
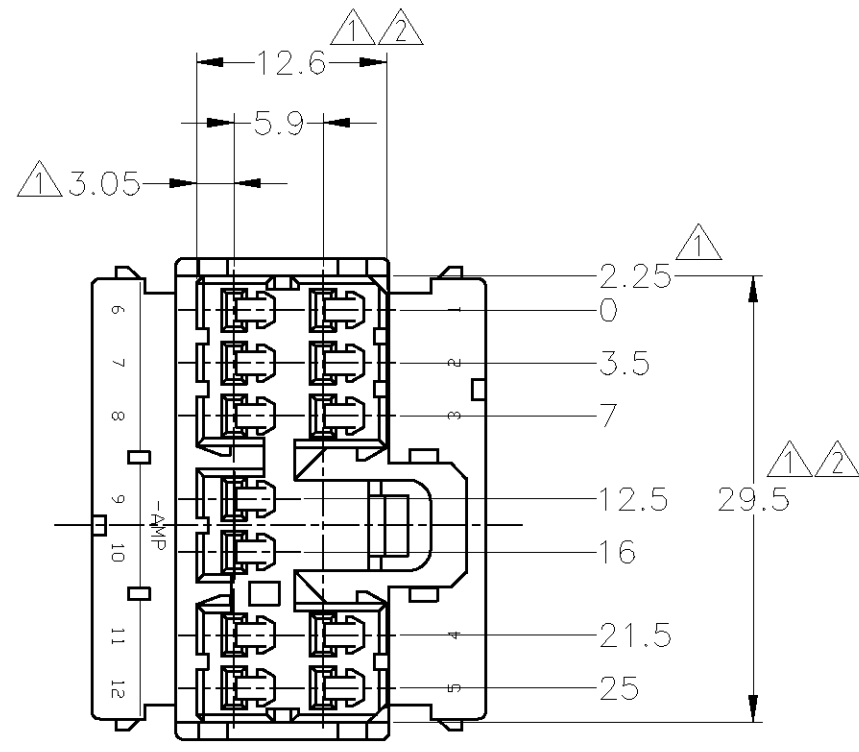


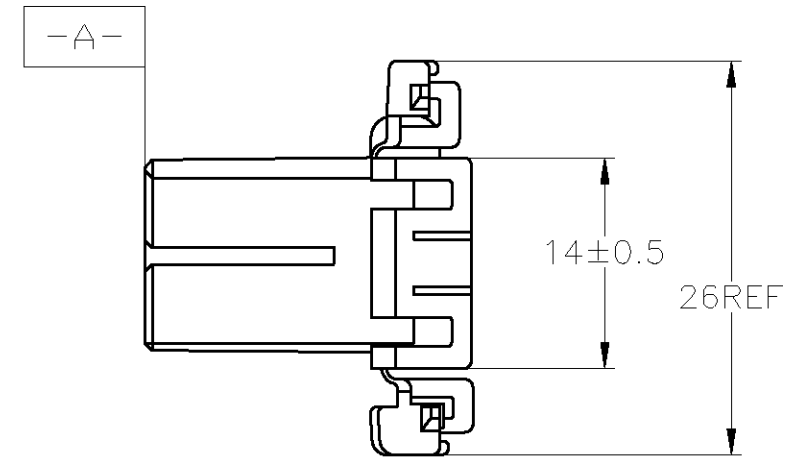
THIS DRAWING IS UNPUBLISHED. RELEASED FOR PUBLICATION  
 © COPYRIGHT - By - ALL RIGHTS RESERVED.

LOC	DIST	REVISIONS						
		P	LTR	DESCRIPTION	DATE	DWN	APVD	
J	-	E1		REDRAWN W/CHANGE	ECR-12-021403	13DEC2012	TS	KB



△ MUST BE KEPT BETWEEN [-A-] AND 2  
 △ TO BE MATED WITH THE CAP HOUSING SMOOTHLY  
 3. APPLIED CONTACT PART NUMBER; 173630 AND 173631

△ [-A-] 面より2mmの範囲で測定  
 △ 相手ハウジングと所定の機能を満足して嵌合できること  
 3. 内装するリセプタクルコンタクト型番173630 及び 173631



V-2	自然色 (NATURAL)	1-173851-1
HB	オレンジ (ORANGE)	173851-8
	灰 (GRAY)	173851-6
	青 (BLUE)	173851-5
	緑 (GREEN)	173851-4
	黒 (BLACK)	173851-2
	自然色 (NATURAL)	173851-1
使用材料難燃グレード (FLAMMABILITY OF MATERIAL)		色 (COLOR)
		型番 (PART NUMBER)

THIS DRAWING IS A CONTROLLED DOCUMENT.

DIMENSIONS: 単位: 耗 mm	TOLERANCES UNLESS OTHERWISE SPECIFIED: 一般公差	DWN T.SHINOHARA 13DEC2012	TE Connectivity																																	
<table border="1"> <tr><td>0 PLC</td><td>±</td></tr> <tr><td>1 PLC</td><td>±</td></tr> <tr><td>2 PLC</td><td>±</td></tr> <tr><td>3 PLC</td><td>±</td></tr> <tr><td>4 PLC</td><td>±</td></tr> <tr><td>ANGLES</td><td>±</td></tr> </table>	0 PLC	±		1 PLC	±	2 PLC	±	3 PLC	±	4 PLC	±	ANGLES	±	<table border="1"> <tr><td>MATERIAL 材料</td><td>PBT</td></tr> <tr><td>FINISH 仕上</td><td>-</td></tr> </table>	MATERIAL 材料	PBT	FINISH 仕上	-	<table border="1"> <tr><td>CHK K.BETSUI 13DEC2012</td></tr> <tr><td>APVD K.BETSUI 13DEC2012</td></tr> <tr><td>PRODUCT SPEC 製品規格 108-5216,5264</td></tr> <tr><td>APPLICATION SPEC 取付適用規格</td></tr> <tr><td>WEIGHT -</td></tr> </table>	CHK K.BETSUI 13DEC2012	APVD K.BETSUI 13DEC2012	PRODUCT SPEC 製品規格 108-5216,5264	APPLICATION SPEC 取付適用規格	WEIGHT -	<table border="1"> <tr><td>NAME 名称</td><td colspan="3">070 SERIES MULTI-LOCK CONNECTOR 12POSITION PLUG HOUSING</td></tr> <tr><td>SIZE</td><td>CAGE CODE</td><td>DRAWING NO 番号</td><td>RESTRICTED TO</td></tr> <tr><td>A3</td><td>00779</td><td>C-173851</td><td>-</td></tr> </table>	NAME 名称	070 SERIES MULTI-LOCK CONNECTOR 12POSITION PLUG HOUSING			SIZE	CAGE CODE	DRAWING NO 番号	RESTRICTED TO	A3	00779	C-173851
0 PLC	±																																			
1 PLC	±																																			
2 PLC	±																																			
3 PLC	±																																			
4 PLC	±																																			
ANGLES	±																																			
MATERIAL 材料	PBT																																			
FINISH 仕上	-																																			
CHK K.BETSUI 13DEC2012																																				
APVD K.BETSUI 13DEC2012																																				
PRODUCT SPEC 製品規格 108-5216,5264																																				
APPLICATION SPEC 取付適用規格																																				
WEIGHT -																																				
NAME 名称	070 SERIES MULTI-LOCK CONNECTOR 12POSITION PLUG HOUSING																																			
SIZE	CAGE CODE	DRAWING NO 番号	RESTRICTED TO																																	
A3	00779	C-173851	-																																	
<table border="1"> <tr><td>TOLERANCES UNLESS OTHERWISE SPECIFIED: 一般公差</td></tr> <tr><td>10± : ±0.2</td></tr> <tr><td>30± &gt; 10 : ±0.25</td></tr> <tr><td>100± &gt; 30 : ±0.3</td></tr> <tr><td>ANGLE : ±3°</td></tr> </table>		TOLERANCES UNLESS OTHERWISE SPECIFIED: 一般公差	10± : ±0.2	30± > 10 : ±0.25	100± > 30 : ±0.3	ANGLE : ±3°	<table border="1"> <tr><td>CUSTOMER DRAWING</td><td>SCALE 尺度 2:1</td><td>SHEET 1 OF 1</td><td>REV E1</td></tr> </table>		CUSTOMER DRAWING	SCALE 尺度 2:1	SHEET 1 OF 1	REV E1																								
TOLERANCES UNLESS OTHERWISE SPECIFIED: 一般公差																																				
10± : ±0.2																																				
30± > 10 : ±0.25																																				
100± > 30 : ±0.3																																				
ANGLE : ±3°																																				
CUSTOMER DRAWING	SCALE 尺度 2:1	SHEET 1 OF 1	REV E1																																	

## X-ON Electronics

Largest Supplier of Electrical and Electronic Components

*Click to view similar products for [Automotive Connectors](#) category:*

*Click to view products by [TE Connectivity](#) manufacturer:*

Other Similar products are found below :

[003-018-000](#) [60403001](#) [60993906-B](#) [M902-2131](#) [M902-2161](#) [M902-2344](#) [72.330.1035.1](#) [73.353.4028.0](#) [F119300-B](#) [F166900](#) [F258300-B](#)  
[F358300-B](#) [F407400](#) [F444110](#) [F487000](#) [F509500B-B](#) [827153-1](#) [8N1515-32-24P](#) [9-1326729-8](#) [925474-1](#) [928905-1](#) [964562-4](#) [968782-1](#)  
[GT17SA-8DS-HU](#) [98891-1012](#) [98947-1016](#) [12004147](#) [12004475-L](#) [12010290](#) [12010309-B](#) [12015454](#) [12020219-B](#) [12041318-B](#) [12052225-](#)  
[L](#) [12052466](#) [12064869](#) [12004327-B](#) [12015308](#) [12015384](#) [12015909](#) [1-21030-1](#) [12041254](#) [12041318](#) [12047946-B](#) [12047957](#) [12047957-L](#)  
[12059473](#) [12066261](#) [12110546](#) [12110546-B](#)