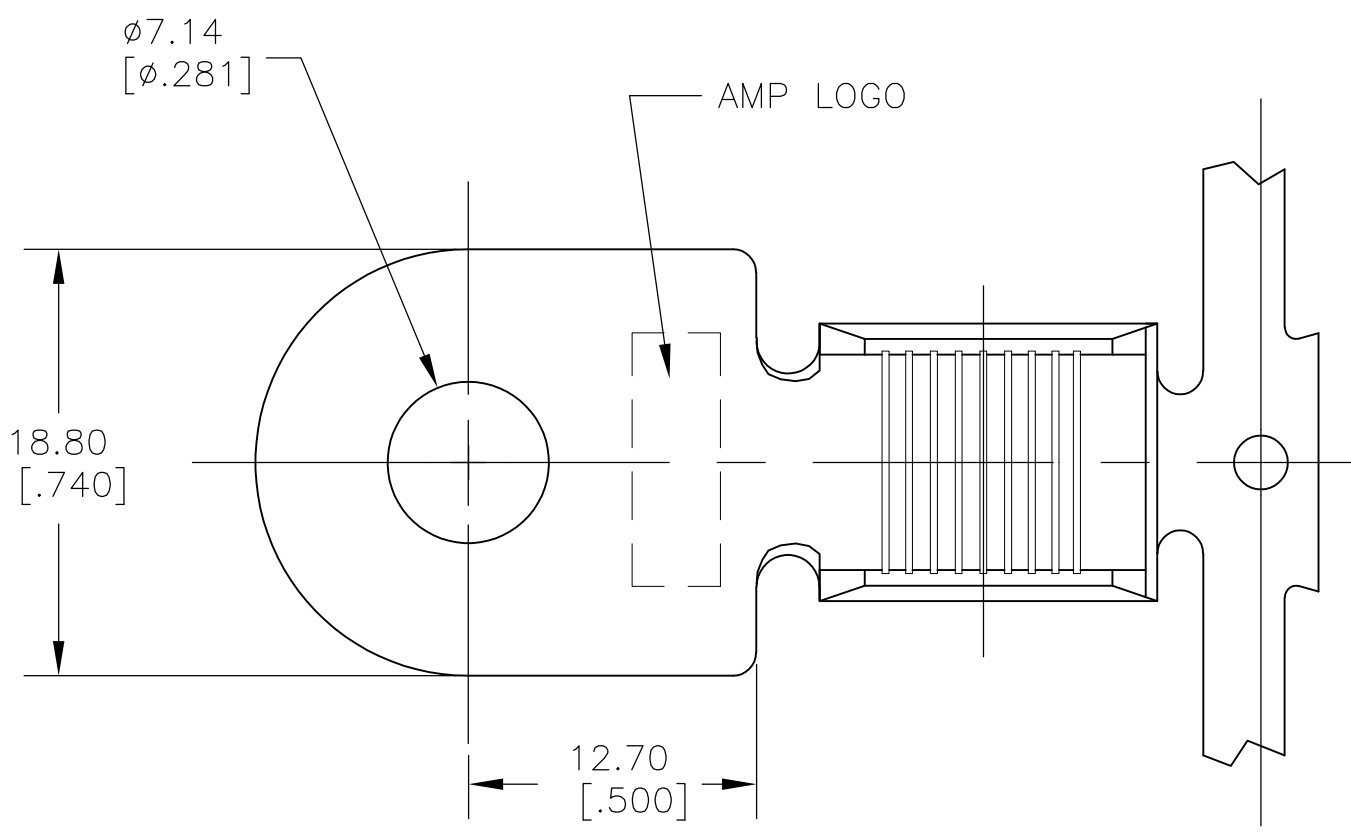
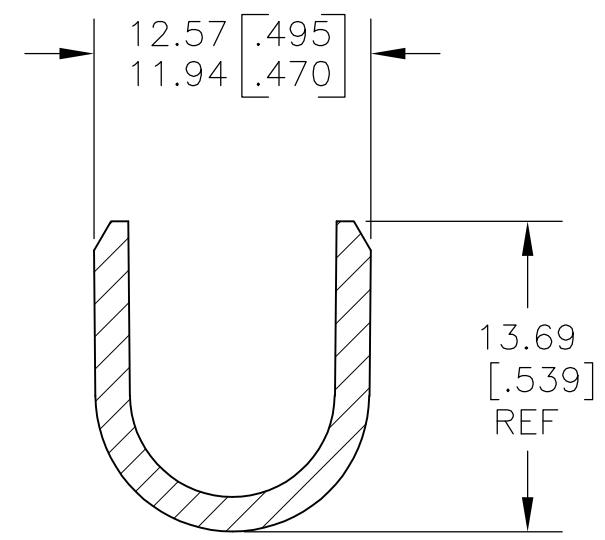
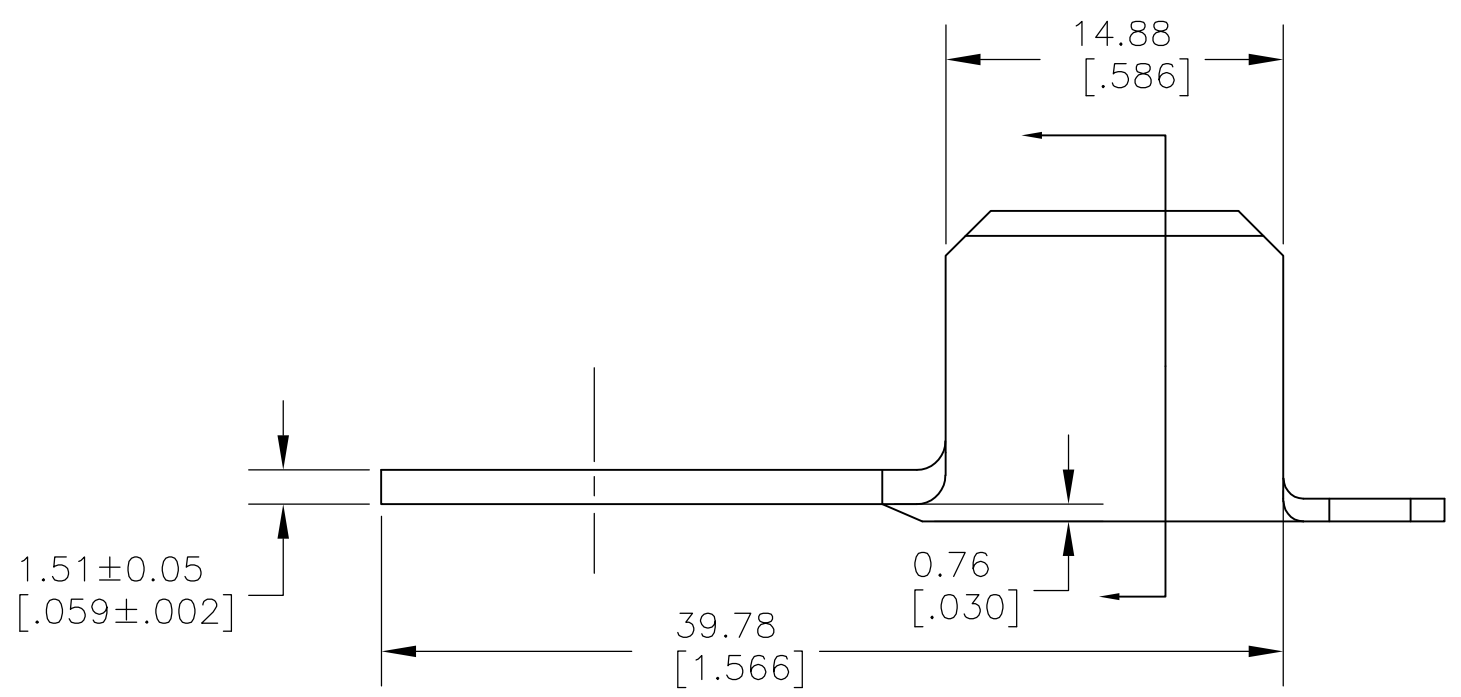


THIS DRAWING IS UNPUBLISHED. RELEASED FOR PUBLICATION  
 © COPYRIGHT BY TYCO ELECTRONICS CORPORATION. ALL RIGHTS RESERVED.

LOC	DIST	REVISIONS					
AF	50	P	LTR	DESCRIPTION	DATE	DWN	APVD
			A4	REDRAWN PER ECR 08-017874	16JUL08	JR	DD



- 1 CONTINUOUS STRIP ON REELS ON 35.00±0.13 [1.378±.005] CENTERS
- 2 WIRE RANGE IS [#3 AL -#4 CU] AWG
- 3 TIN PLATE
- 4 THIS PRODUCT HAS NOT COMPLETED VALIDATION TESTING, CURRENT RATING:  
SOLID ALUMINUM WIRE; 90 A REF  
SOLID COPPER WIRE; 115 A REF
- 5 CRIMP HEIGHT:  
27mm<sup>2</sup> [ 3 AWG ] SOLID ALUMINUM WIRE; 6.00 [.236] REF  
21mm<sup>2</sup> [ 4 AWG ] SOLID COPPER WIRE; 6.80 [.268] REF



1738545-2  
 PART NO

THIS DRAWING IS A CONTROLLED DOCUMENT.		DWN jr_ruth 14JUL08	Tyco Electronics Corporation Harrisburg, PA 17105-3608	
DIMENSIONS: MM [ INCHES ]		CHK DON DECKER 14JUL08	NAME RING TONGUE, AMPLIVAR	
TOLERANCES UNLESS OTHERWISE SPECIFIED:		APVD DON DECKER 14JUL08	PRODUCT SPEC 108-2238 4	
0 PLC ± -	1 PLC ± -	PRODUCT SPEC	APPLICATION SPEC 114-13168 5	
2 PLC ± 0.25 [.010]	3 PLC ± -	SIZE	CAGE CODE	DRAWING NO
4 PLC ± -	ANGLES ± 5°	114-13168 5	A300779	C-1738545
MATERIAL 082 BRASS	FINISH - 3	WEIGHT -	RESTRICTED TO -	
CUSTOMER DRAWING		SCALE 3:1	SHEET 1 OF 1	REV A4

## X-ON Electronics

Largest Supplier of Electrical and Electronic Components

*Click to view similar products for [Terminals](#) category:*

*Click to view products by [TE Connectivity](#) manufacturer:*

Other Similar products are found below :

[HT-13-10](#) [71M-250-32-NB](#) [01-2065-1-0216](#) [00581P0075](#) [M10-10RX](#) [M10BCK](#) [60205-1](#) [604200-1](#) [60598-1-CUT-TAPE](#) [60617-1-C](#) [60873-1](#) [M14-516R/SK](#) [M14-6RSX](#) [M18-10FLX](#) [M18-8FBX](#) [M18-8R/LX](#) [M18BCK](#) [61314-6-C](#) [61-S](#) [61-SN-A](#) [62-NBM-A](#) [63-S](#) [640179-1](#) [640917-2-CUT-TAPE](#) [6501550002](#) [66107-2-C](#) [696683-1](#) [696834-1](#) [696861-1](#) [696931-1](#) [696999-1](#) [M8-516RK](#) [M86700006](#) [MA250DMFMX-A](#) [701-2007](#) [701-2307](#) [701-7761-03](#) [70F-110-32-PB](#) [718-N-A](#) [71M-187-20-NBL](#) [71M-250-32-NBL](#) [72F-187-20-NBL](#) [72M-250-32-NBL](#) [7310](#) [73F-250-32](#) [73F-250-32-NBL](#) [73F-250-32-NL](#) [F14-10C](#) [F-1M](#) [751-250](#)