

# KIT, PLUG, STRANDED WIRE, Shielded ✓ ACTIVE

Industrial RJ45 Variant 1

TE Part # 1738607-4

TE Internal #: 1738607-4

[View on TE.com >](#)



Connectors > Modular Jacks & Plugs > Circular RJ45 Connectors



Modular Jacks & Plugs Products: **RJ Type Jacks & Plugs**

Connector Contact Density: **Standard**

Modular Connector Style: **Plug**

Shielded: **Yes**

Performance Category: **Cat 5e**

## Features

### Product Type Features

Connectors & Connector Components Type	Connector
Modular Jacks & Plugs Products	RJ Type Jacks & Plugs
Modular Connector Style	Plug
Wire Type	Stranded

### Configuration Features

Wiring Pattern	RJ45
Connector Contact Density	Standard

### Body Features

Shield Plating Finish	Semi-Bright
Shield Plating Material	Nickel
Shield Material	Copper Alloy

### Contact Features

Contact Mating Area Plating Material	Gold over Nickel
Contact Base Material	Phosphor Bronze

### Mechanical Attachment

Connector Mounting Type	Panel
-------------------------	-------

### Housing Features

Connector Shape	Circular
Housing Color	Black, Clear



Housing Material	Polycarbonate, Polyester
------------------	--------------------------

**Dimensions**

Wire Size	.12 – .2 mm <sup>2</sup>
-----------	--------------------------

**Operation/Application**

Shielded	Yes
----------	-----

**Industry Standards**

Standard Reference	Open Device-Net Vendors Association (ODVA)
Performance Category	Cat 5e

**Packaging Features**

Packaging Method	Package
Packaging Quantity	1

**Other**

Comment	For stranded wire only.
---------	-------------------------

**Product Compliance**

[For compliance documentation, visit the product page on TE.com>](#)

EU RoHS Directive 2011/65/EU	Compliant
EU ELV Directive 2000/53/EC	Compliant
China RoHS 2 Directive MIIT Order No 32, 2016	No Restricted Materials Above Threshold
EU REACH Regulation (EC) No. 1907/2006	Current ECHA Candidate List: JAN 2019 (197) Candidate List Declared Against: JUN 2018 (191)
Halogen Content	Low Halogen - Br, Cl, F, I < 900 ppm per homogenous material. Also BFR/CFR/PVC Free
Solder Process Capability	Not applicable for solder process capability

Product Compliance Disclaimer

This information is provided based on reasonable inquiry of our suppliers and represents our current actual knowledge based on the information they provided. This information is subject to change. The part numbers that TE has identified as EU RoHS compliant have a maximum concentration of 0.1% by weight in homogenous materials for lead, hexavalent chromium, mercury, PBB, PBDE, DBP, BBP, DEHP, DIBP, and 0.01% for cadmium, or qualify for an exemption to these limits as defined in the Annexes of Directive 2011/65/EU (RoHS2). Finished electrical and electronic equipment products will be CE marked as required by Directive 2011/65/EU. Components may not be CE marked. Additionally, the part numbers that TE has identified as EU ELV compliant have a maximum concentration of 0.1% by weight in homogenous materials for lead, hexavalent chromium, and mercury, and 0.01% for cadmium, or qualify for an exemption to these limits as defined in the Annexes of Directive 2000/53/EC (ELV). Regarding the REACH Regulations, TE's information on SVHC in articles for this part number is still based on the European Chemical Agency (ECHA) 'Guidance on requirements for

substances in articles' (Version: 2, April 2011), applying the 0.1% weight on weight concentration threshold at the finished product level. TE is aware of the European Court of Justice ruling of September 10th, 2015 also known as O5A (Once An Article Always An Article) stating that, in case of 'complex object', the threshold for a SVHC must be applied to both the product as a whole and simultaneously to each of the articles forming part of its composition. TE has evaluated this ruling based on the new ECHA "Guidance on requirements for substances in articles" (June 2017, version 4.0) and will be updating its statements accordingly.

## Also in the Series | Industrial RJ45 Variant 1



Circular Ethernet Hardware  
(2)



Circular RJ45 Connectors  
(22)



Modular Jack & Plug Caps  
& Covers(2)

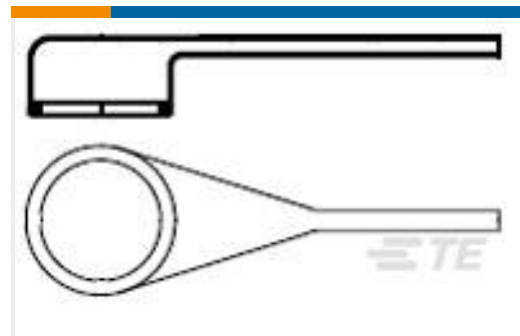


Modular Jack Filters(1)

## Customers Also Bought



TE Part #808008-000  
222D152-3-0



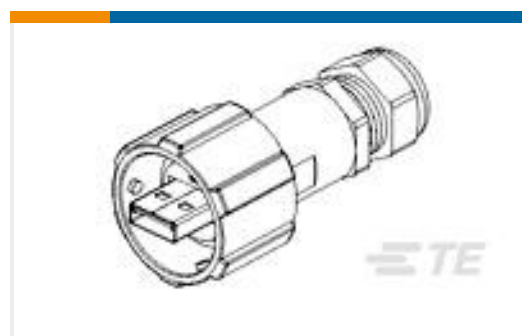
TE Part #808332-000  
222D953-3-0



TE Part #794370-1  
08P MINI UMNL STR  
RELIEF HNGD



TE Part #1738607-3  
KIT, PLUG, SOLID WIRE,  
Shielded



TE Part #2058362-1  
Plug Kit, USB Series A,  
ODVA Metal Shell



TE Part #3-917242-6  
DYNAMIC D-3500 TAB  
HSG 12P F/H



TE Part #5646959-1  
UPM EXPANDED PIN  
ASSEMBLY

## Documents

### Product Drawings

[KIT, PLUG, STRANDED WIRE, Shielded](#)

English

### CAD Files

[Customer View Model](#)

[ENG\\_CVM\\_CVM\\_1738607-4\\_B.2d\\_dxf.zip](#)

English

[3D PDF](#)



3D

Customer View Model

[ENG\\_CVM\\_CVM\\_1738607-4\\_B.3d\\_igs.zip](#)

English

Customer View Model

[ENG\\_CVM\\_CVM\\_1738607-4\\_B.3d\\_stp.zip](#)

English

---

**Datasheets & Catalog Pages**

[M8 / M12 Connector System Catalog](#)

English

---

**Product Specifications**

[Application Specification](#)

English

---

**Instruction Sheets**

[Instruction Sheet \(U.S.\)](#)

English

---

**Agency Approvals**

[UL Report](#)

English

## X-ON Electronics

Largest Supplier of Electrical and Electronic Components

*Click to view similar products for [Modular Connectors / Ethernet Connectors](#) category:*

*Click to view products by [TE Connectivity](#) manufacturer:*

Other Similar products are found below :

[8949-H88/06BLKA/SN](#) [74441-0010/BKN](#) [MP1010RX-1000](#) [MP44RX-1000](#) [PHJ-4P4C-1-V-4](#) [PHP-6P6C-5](#) [GAX-3-66](#) [GAX-8-62](#) [GDCX-PA-66-50](#) [GDCX-PN-64](#) [GDCX-PN-66](#) [GDCX-PN-66-50](#) [GDLX-A-66](#) [GDLX-N-66](#) [GDLX-S-66](#) [GDLX-S-88K](#) [GDTX-S-88-50](#) [GDX-PA-1010](#) [GLX-N-1010M-BLK](#) [GLX-S-88M-BLK](#) [GMX-N-1010](#) [GMX-S-1010](#) [GMX-S-66](#) [GMX-SMT4-N-88](#) [GPX-2-64](#) [GSGX-N-2-88](#) [GSGX-N-4-88](#) [GSX-NS2-88-3.05](#) [GSX-NS2-88-3.05-50](#) [GSX-NS-88-3.05-50](#) [PT-108A-8C-UL](#) [PT-J951-8C](#) [PTS-J531-8CS-50UL](#) [1-1775629-2](#) [A-2014-0-4](#) [GWLX-S-88-GR](#) [GWLX-S9-88-YG](#) [DC-1021-8-WH-6](#) [1300530003](#) [1324640-4](#) [RJ11FTVC2G](#) [RJ11FTVC2N](#) [RJFTVX2SA1G](#) [132764-001](#) [1413235](#) [MP88X-1000](#) [MPS88RX-5000](#) [E5288-S000K3-L](#) [E5908-15A242-L](#) [155302-001](#)